



FP0217 CUSTOMER GUIDE

Finish Plumbing

Effective February 1, 2017
Replaces all previous Price Lists

1.855.ONE.ZURN | ZURN.COM

INTRODUCTION

FLUSH VALVES	7	BODY LESS STOP AND FLUSH CONNECTION	20	AQUAVANTAGE® AV FOOT PEDAL ACTUATION FLUSH VALVES	32
FLUSH VALVE INTRODUCTION	8	ZR RETROFLUSH® - RETROFIT KIT ONLY	20	FLUSH VALVES FOR EASTERN STYLE WATER CLOSETS	33
EXPOSED MANUAL FLUSH VALVES	9	OPTIONS FOR SENSOR FLUSH VALVE	20	ACCESS PANELS	33
AQUAVANTAGE® AV EXPOSED MANUAL DIAPHRAGM FLUSH VALVES	9	EXPOSED SENSOR HARDWIRED FLUSH VALVES	21	RETROFIT X-BODIES - EXPOSED AND CONCEALED	34
AQUAVANTAGE® AV EXPOSED MANUAL DIAPHRAGM FLUSH VALVES	10	ECOVANTAGE® ZTR EXPOSED HARDWIRED SENSOR PISTON FLUSH VALVES	21	ACCESSORIES/VARIATIONS	35
AQUAFLUSH® PLUS PL EXPOSED MANUAL DIAPHRAGM FLUSH VALVES	11	AQUAVANTAGE® AV ZEMS EXPOSED HARDWIRED SENSOR DIAPHRAGM FLUSH VALVES	21	SPECIALITY ITEMS	36
AQUAFLUSH® EXPOSED MANUAL DIAPHRAGM FLUSH VALVES	12	AQUAFLUSH® PLUS PL ZEMS EXPOSED HARDWIRED SENSOR DIAPHRAGM FLUSH VALVES	22	ZURN® AQUAVANTAGE® AV/SLOAN® FLUSH VALVE CROSS REFERENCE	37
METROFLUSH® EXPOSED PISTON FLUSH VALVES	12	AQUAFLUSH® ZEMS EXPOSED HARDWIRED SENSOR DIAPHRAGM FLUSH VALVES	22	FAUCETS	39
EXPOSED MANUAL DIAPHRAGM FLUSH VALVES WITH BEDPAN DIVERter	13	METROFLUSH® ZEMS EXPOSED HARDWIRED SENSOR PISTON FLUSH VALVES	23	AQUA-FIT® SENSOR FAUCET SYSTEMS	40
AQUAVANTAGE® AV EXPOSED MANUAL DIAPHRAGM FLUSH VALVES WITH BEDPAN DIVERter VALVE	13	HARDWIRED SENSOR FLUSH VALVES OPTIONS	23	Z6950 AQUA-FIT® SERIO SERIES - SINGLE POST	40
AQUAFLUSH® PLUS PL EXPOSED MANUAL DIAPHRAGM FLUSH VALVES WITH BEDPAN DIVERter VALVE	14	CONCEALED FLUSH VALVES	24	Z6950-XL-IM AQUA-FIT® SERIO SERIES - SINGLE POST WITH INTERGAL MIXING VALVE	40
AQUAFLUSH® EXPOSED MANUAL DIAPHRAGM FLUSH VALVES WITH BEDPAN DIVERter VALVE	14	AQUAVANTAGE® AV ZEMS CONCEALED HARDWIRED IN WALL SENSOR DIAPHRAGM FLUSH VALVES	24	Z6955 AQUA-FIT® SERIO SERIES - 4" INCH CENTER	40
EXPOSED CLINIC AND SERVICE SINK FLUSH VALVES	15	AQUAVANTAGE® AV ZER CONCEALED BATTERY IN WALL SENSOR DIAPHRAGM FLUSH VALVES	25	Z6951 AQUA-FIT® FULMAR SERIES - SINGLE POST	40
EXPOSED MANUAL DIAPHRAGM FLUSH VALVES FOR CLINIC AND SERVICE SINKS	15	AQUAVANTAGE® AV CONCEALED DIAPHRAGM FLUSH VALVES	26	FAUCET ACCESSORIES AQUA-FIT® Z6950 SERIO SERIES	41
EXPOSED SENSOR FLUSH VALVES	16	AQUAFLUSH® CONCEALED DIAPHRAGM FLUSH VALVES	27	AERATOR OPTIONS FOR AQUA-FIT® SERIES	41
ECOVANTAGE® ZTR EXPOSED SENSOR BATTERY PISTON FLUSH VALVES	16	HYDRAULIC FLUSH VALVES	28	ADDITIONAL POWER OPTIONS FOR AQUA-FIT® SERIES	41
AQUASENSE® E-Z FLUSH® AQUAVANTAGE® AV EXPOSED SENSOR BATTERY DIAPHRAGM FLUSH VALVES	16	AQUAVANTAGE® AV EXPOSED ZH HYDRAULIC ACTUATION DIAPHRAGM FLUSH VALVES	28	AQUASENSE® E-Z SENSOR-OPERATED FAUCETS	42
AQUASENSE® E-Z FLUSH® AQUAVANTAGE® AV EXPOSED SENSOR BATTERY DIAPHRAGM FLUSH VALVES	17	AQUAVANTAGE® AV CONCEALED ZH HYDRAULIC ACTUATION DIAPHRAGM FLUSH VALVES	29	FAUCET ORDERING INSTRUCTIONS	42
AQUASENSE® E-Z FLUSH® AQUAFLUSH® PLUS PL EXPOSED SENSOR BATTERY DIAPHRAGM FLUSH VALVES	18	AQUAFLUSH® PLUS PL EXPOSED ZH HYDRAULIC ACTUATION DIAPHRAGM FLUSH VALVES	29	AQUASENSE® Z6913 SERIES - SINGLE HOLE SENSOR FAUCET	42
AQUASENSE® E-Z FLUSH® AQUAFLUSH® EXPOSED SENSOR BATTERY DIAPHRAGM FLUSH VALVES	18	AQUAFLUSH® EXPOSED ZH HYDRAULIC ACTUATION DIAPHRAGM FLUSH VALVES	30	AQUASENSE® Z6915 SERIES - 4" CENTERSET SENSOR FAUCET	42
METROFLUSH® AQUASENSE® E-Z FLUSH® ZER EXPOSED SENSOR BATTERY PISTON FLUSH VALVES	19	AQUAFLUSH® CONCEALED ZH HYDRAULIC ACTUATION DIAPHRAGM FLUSH VALVES	30	AQUASENSE® Z6918 SERIES - SINGLE HOLE SENSOR FAUCET	42
AQUASENSE® E-Z FLUSH® RETROFIT KITS	19	OPTIONS FOR HYDRAULIC ACTUATION	30	AQUASENSE® Z6920 SERIES - SINGLE HOLE GOOSENECK SENSOR FAUCET	43
AQUAVANTAGE® AV ZR RETROFLUSH® SENSOR BATTERY FLUSH VALVE	20	PRISON FLUSH VALVES	31	AQUASENSE® Z6922 SERIES - SINGLE HOLE WALL MOUNT GOOSENECK SENSOR FAUCET	43
AQUAVANTAGE® AV ZR RETROFLUSH® FLUSH VALVE		AQUAVANTAGE® AV PRISON FLUSH VALVES	31	AQUASENSE® Z6930 SERIES - SINGLE HOLE SENSOR FAUCET	43
		AQUAVANTAGE® AV ZH HYDRAULIC ACTUATION PRISON FLUSH VALVES	31		
		AQUAFLUSH® PRISON FLUSH VALVES	32		
		AQUAFLUSH® ZH HYDRAULIC ACTUATION PRISON FLUSH VALVES	32		

AQUASENSE® FAUCET ACCESSORIES	44	CLINICAL SERVICE SINK FAUCETS	69	SIERRA® 4" CENTERSET FAUCET	86
POWER CONVERTERS FOR SENSOR FAUCETS	44	SINGLE BASIN FAUCETS	70	AERATOR OPTIONS	86
AERATORS FOR Z6913-XL AND Z6915-XL	44	SINGLE CONTROL FAUCETS	70	STRAINER OPTIONS	86
SLIM AERATORS FOR Z6913-XL AND Z6915-XL	44	SINGLE LAB FAUCETS	71	MISCELLANEOUS OPTIONS	86
AERATORS FOR Z6920-XL AND Z6922-XL	44	DOUBLE LAB FAUCETS	72	TEMP-GARD® SERIES I - SHOWER VALVES	87
AERATORS FOR Z6930-XL, Z6950-XL, Z6950-XL-IM AND Z6951-XL	44	MISC. LAB FAUCETS	73	Z7100 SERIES	87
MIXING TEE AND MIXING VALVES	45	SHOWER VALVE BODY	74	Z7101 SERIES	87
GOOSENECKS	45	MISC. FAUCETS	74	Z7120 SERIES	88
COVER PLATES AND ADAPTERS	45	BEDPAN WASHERS	74	Z7121 SERIES	88
POWER SUPPLIES	45	SINK AND SERVICE SINK FAUCETS	75	Z7200 SERIES	88
HOSES	45	PRE-RINSE UNITS	77	Z7201 SERIES	89
HYDRO GENERATOR	45	SPRAY HOSES	78	Z7220 SERIES	89
Z6900 SERIES - ACCESSORIES	46	TURRETS	78	Z7221 SERIES	89
AQUASENSE® FAUCET CROSS REFERENCE GUIDE	46	VALVES	78	TEMP-GARD® SERIES III - SHOWER VALVES	90
AQUASPEC® FAUCET BUILDER	47	FOOT PEDAL VALVE	79	Z7300 SERIES	90
AQUASPEC® COMMERCIAL PRODUCT SUFFIXES	53	SUPPLY STOPS	79	Z7301 SERIES	90
AQUASPEC® COMMERCIAL PRODUCTS	55	MISCELLANEOUS ACCESSORIES	79	Z7302 SERIES	90
4" CENTERSET LAVATORY FAUCETS	55	PRE-RINSE ACCESSORIES	80	TEMP-GARD® AQUA-PANEL	91
4" CENTERSET GOOSENECK FAUCETS	55	POT FILLERS	80	Z7500 SERIES	91
4" CENTERSET CAST SPOUT FAUCETS	56	POT FILLER ACCESSORIES	80	Z7500-CR SERIES	91
4" CENTERSET TUBULAR SPOUT FAUCETS	56	POT FILLER ACCESSORIES	80	Z7500-FL SERIES	91
4" CENTERSET DOUBLE-JOINTED SPOUT FAUCETS	56	HOSE REEL ACCESSORIES	81	Z7500-TS SERIES	92
4" CENTERSET VACUUM BREAKER SPOUT FAUCETS	57	GLASS AND PITCHER FILLERS	81	Z7500-W2 SERIES	92
4" CENTERSET BENT RISER SPOUT FAUCETS	57	BASKET STRAINERS	81	Z7500-W3 SERIES	92
4" CENTERSET METERING FAUCETS	57	REPAIR PARTS	81	Z7530 SERIES	92
SINK GOOSENECK FAUCETS	58	AERATOR ADAPTERS	82	Z7533 SERIES	93
SINK CAST SPOUT FAUCETS	58	CERAMIC DISC XL CARTRIDGES	82	Z7550 SERIES	93
SINK TUBULAR SPOUT FAUCETS	58	SINGLE CONTROL MIXING CARTRIDGES	82	TEMP-GARD® AQUA-PANEL OPTIONS	93
SINK DOUBLE-JOINTED SPOUT FAUCETS	59	COVER PLATES	82	AQUA-PANEL OPTIONS	93
SINK VACUUM BREAKER SPOUT FAUCETS	59	MIXING YOKES	82	SHROUD THICKNESS MODIFICATIONS	93
WIDESPREAD GOOSENECK FAUCETS	61	BODY ASSEMBLY PARTS AND MOUNTING HARDWARE	82	CUSTOM MODIFICATIONS	93
WIDESPREAD CAST SPOUT FAUCETS	61	SUPPLY ARMS	83	TEMP-GARD® ACCESSORIES	94
WIDESPREAD TUBULAR SPOUT FAUCETS	62	METERING PARTS	83	TEMP-GARD I SHOWER VALVE SERIES HANDLES	94
WIDESPREAD BENT RISER SPOUT FAUCETS	62	HANDLE PARTS	83	TEMP-GARD III SHOWER VALVE SERIES HANDLES	94
WIDESPREAD VACUUM BREAKER FAUCETS	63	SINGLE HANDLES	83	ARMS	94
WIDESPREAD METERING FAUCETS	63	PAIR OF HANDLES	83	CONVERSION HARDWARE FOR SHOWER VALVES	94
DECK-MOUNTED FAUCETS	64	METERING HANDLES	83	SHOWER HEADS	94
BACK-MOUNTED FAUCETS	64	SPOUTS	84	INSTITUTIONAL SHOWER HEADS	95
WALL-MOUNTED FAUCETS	64	SPOUT PARTS	84	DIVERTER VALVES AND SPRING CHECKS	95
KITCHEN SINK FAUCETS	66	LEAD-FREE (XL) SPOUTS	84	MISCELLANEOUS DIVERTER VALVE PARTS	95
SERVICE SINK FAUCETS	67	TEMP-GARD®	85	HANDWALL UNITS	95
		TEMP-GARD® FAUCETS	86	HANDSHOWER UNITS	96
		SIERRA® LEAD-FREE FAUCETS	86		
		SIERRA® CERAMIC DISC KITCHEN FAUCETS	86		

For additional product information, please visit www.zurn.com.

MISCELLANEOUS HANDWALL PARTS	96
HANDWALL AND HANDSHOWER OPTIONS/ ACCESSORIES	96
TUB SPOUTS	96
ATMOSPHERIC VACUUM BREAKERS	96
METERING VALVES	96
REPAIR KIT FOR METERING VALVE	96
TRACT PACKS FOR TEMP-GARD I SERIES VALVES	96
TRACT PACKS FOR TEMP-GARD III SERIES VALVES	97
TRIM PACKS FOR TEMP-GARD I SERIES VALVES	97
TRIM PACKS FOR TEMP-GARD III SERIES VALVES	98
SHOWER VALVE REPAIR KITS FOR TEMP-GARD I SERIES VALVES	98
SHOWER VALVE REPAIR KITS FOR TEMP-GARD III SERIES VALVES	98
MISCELLANEOUS TEMP-GARD I PARTS	98
MISCELLANEOUS TEMP-GARD III PARTS	99
SHOWER VALVE REPAIR KITS FOR AQUA-PANEL	99
MISCELLANEOUS AQUA-PANEL PARTS	99
SIERRA® FAUCET REPAIR KITS	99
SIERRA® FAUCET AERATORS, Z7440	99
SIERRA® FAUCET HANDLES, Z7440	99
SIERRA® FAUCET AERATORS, Z74500	99
Z74500, Z74600, AND Z74700 HANDLES AND INDEXES	99
MISCELLANEOUS SIERRA® FAUCET PARTS	99
Z7870 SERIES REPAIR KITS	100
Z7870C SERIES AERATORS	100

TUBULAR BRASS 101

STANDARD LAVATORY SUPPLY STOPS AND KITS 103

Z8800-XL SERIES PIPE - COMPRESSION (3/8 IPS X 3/8 OD)	103
Z8802-XL SERIES PIPE - COMPRESSION (1/2 IPS X 3/8 OD)	103
Z8803-XL SERIES PIPE - COMPRESSION (1/2 IPS X 1/2 OD)	103
Z8804-XL SERIES COMPRESSION - COMPRESSION (1/2 NOM X 3/8 OD)	104
Z8805-XL SERIES COMPRESSION - COMPRESSION (1/2 NOM X 1/2 OD)	104
Z8806-XL SERIES COPPER SWEAT - COMPRESSION (1/2 SWT X 3/8 OD)	105
Z8807-XL SERIES COPPER SWEAT - COMPRESSION (1/2 SWT X 1/2 OD)	105
Z8808-XL SERIES COPPER SWEAT - COMPRESSION (1/2 SWT X 3/8 OD)	105
Z8809-XL SERIES COPPER SWEAT - COMPRESSION (1/2 SWT X 1/2 OD)	105

HEAVY-DUTY LAVATORY SUPPLY STOPS AND KITS 106

ZH8820-XL SERIES PIPE - COMPRESSION (3/8 IPS X 3/8 OD)	106
ZH8822-XL SERIES PIPE - COMPRESSION (1/2 IPS X 3/8 OD)	106
ZH8823-XL SERIES PIPE - COMPRESSION (1/2 IPS X 1/2 OD)	106
ZH8824-XL SERIES COMPRESSION - COMPRESSION (1/2 NOM X 3/8 OD)	107
ZH8825-XL SERIES COMPRESSION - COMPRESSION (1/2 NOM X 1/2 OD)	107
ZH8826-XL SERIES COPPER SWEAT - COMPRESSION (1/2 SWT X 3/8 OD)	107
ZH8827-XL SERIES COPPER SWEAT - COMPRESSION (1/2 SWT X 3/8 OD)	107

STANDARD CLOSET SUPPLY STOPS AND KITS 108

Z8800-XL SERIES PIPE - COMPRESSION (3/8 IPS X 3/8 OD)	108
Z8802-XL SERIES PIPE - COMPRESSION (1/2 IPS X 3/8 OD)	108
Z8803-XL SERIES PIPE - COMPRESSION (1/2 IPS X 1/2 OD)	108
Z8804-XL SERIES COMPRESSION - COMPRESSION (1/2 NOM X 3/8 OD)	109
Z8805-XL SERIES COMPRESSION - COMPRESSION (3/8 IPS X 3/8 OD)	109
Z8806-XL SERIES COPPER SWEAT - COMPRESSION (1/2 IPS X 3/8 OD)	110
Z8807-XL SERIES COPPER SWEAT - COMPRESSION (1/2 IPS X 1/2 OD)	110
Z8808-XL SERIES COPPER SWEAT - COMPRESSION (1/2 SWT X 3/8 OD)	110
Z8809-XL SERIES COPPER SWEAT - COMPRESSION (1/2 SWT X 1/2 OD)	110

HEAVY-DUTY CLOSET SUPPLY STOPS AND KITS 111

ZH8820-XL SERIES PIPE - COMPRESSION (3/8 IPS X 3/8 OD)	111
ZH8822-XL SERIES PIPE - COMPRESSION (1/2 IPS X 3/8 OD)	111
ZH8823-XL SERIES PIPE - COMPRESSION (1/2 IPS X 1/2 OD)	111
ZH8824-XL SERIES COMPRESSION - COMPRESSION (1/2 NOM X 3/8 OD)	112
ZH8825-XL SERIES COMPRESSION - COMPRESSION (1/2 IPS X 1/2 OD)	112
ZH8826-XL SERIES COPPER SWEAT - COMPRESSION (1/2 SWT X 3/8 OD)	112
ZH8827-XL SERIES COPPER SWEAT - COMPRESSION (1/2 SWT X 3/8 OD)	112

BRAIDED STAINLESS STEEL SUPPLIES 113

LAVATORY/SINK SUPPLIES	113
Z8860-XL SERIES COMPRESSION - FEMALE THREADED PIPE (3/8 COMP X 1/2 FIP)	113
Z8861-XL SERIES FEMALE THREADED PIPE - FEMALE THREADED PIPE (1/2 FIP X 1/2 FIP)	113
Z8862-XL SERIES COMPRESSION - FEMALE THREADED PIPE (1/2 COMP X 1/2 FIP)	113
Z8863-XL SERIES COMPRESSION - OUTSIDE DIAMETER (3/8 COMP X 3/8 OD)	113
CLOSET SUPPLIES	113
Z8870-XL SERIES COMPRESSION - BALLCOCK NUT (3/8 COMP X 7/8 BALLCOCK NUT)	113
Z8872-XL SERIES FEMALE THREADED PIPE - BALLCOCK NUT (1/2 FIP X 7/8 BALLCOCK NUT)	113
Z8873-XL SERIES COMPRESSION - BALLCOCK NUT (1/2 COMP X 7/8 BALLCOCK NUT)	113

FLANGES AND NIPPLES 114

FLANGES	114
NIPPLES	114

SEMI-CAST TRAPS 115

P-TRAPS WITH WALL BEND	115
P-TRAPS WITH WALL BEND LESS CLEANOUT	116
P-TRAPS WITH WALL BEND LESS CLEANOUT AND WITH CLEANOUT - TAMPER PROOF	116
LESS CLEANOUT	116
WITH CLEANOUT	116
SWIVEL P-TRAPS	117
ALL-CAST SWIVEL TRAPS WITH COPPER EXTENSION P-TRAP	117

TRAPS 118

TUBULAR P-TRAPS	118
LESS CLEANOUT	118
WITH CLEANOUT	118
TUBULAR P-TRAPS - CHOKED INLET LESS CLEANOUT	118
TUBULAR P-TRAPS - EXTRA LONG, 15" AND 18"	118
LESS CLEANOUT	118
WITH CLEANOUT	118
TUBULAR S-TRAPS	119
LESS CLEANOUT	119
WITH CLEANOUT	119
LOW INLET P-TRAPS LESS CLEANOUT	119
REPAIR P-TRAPS AND P-BENDS	119
LOS ANGELES CODE TRAPS	119
WASHINGTON D.C. TRAPS	119
LESS CLEANOUT	119

For additional product information, please visit www.zurn.com.

WITH CLEANOUT	119
MILWAUKEE P-TRAPS	119
LESS CLEANOUT	119
WITH CLEANOUT	119

SANITARY-DASH® PREMIUM LINE OF BASKET STRAINERS 120

STICK TYPE SS BASKET STRAINER	120
STICK TYPE SS BASKET STRAINER WITH CHROME-PLATED BRASS BODY	120
FOUR-PRONGE SS BASKET STRAINER CHROME-PLATED BRASS BODY – STAINLESS BASKET.	120
STICK TYPE SS BASKET STRAINER WITH LONG SHANK	120
STAINLESS STEEL BASKET STRAINER	121
BRASS BODY BASKET STRAINER WITH SPIN AND LOCK BASKET CLOSURE.	121
STAINLESS STEEL MACHINE THREADED TAIL-PIPE BASKET STRAINER	121
STICK TYPE BASKET STRAINER WITH ALL STAINLESS STEEL BODY	121
FLAT TOP SINK STRAINER 3" -3-1/2" OUTLET WITH REVERSIBLE LOCKNUT	122
DUPLEX SINK STRAINER 2" -2-1/2" OUTLET	122
JR. 2" BASKET STRAINER	122
ACCESSORIES	122

STRAINERS, P.O. PLUGS, AND OFFSETS 123

BEEHIVE URINAL STRAINERS	123
FLAT GRID URINAL STRAINERS	123
FLAT GRID FIPS URINAL STRAINERS	123
FLAT GRID SINK STRAINERS	123
WIDE TOP SINK STRAINERS	123
HEAVY-DUTY BASKET STRAINERS	124
SOLID TOP, OPEN-GRID P.O. PLUGS	124
SOLID TOP, OPEN-GRID P.O. PLUGS OPTIONS	124
OFFSET LAVATORY STRAINERS, ADA COMPLIANT	125
OPTIONS FOR OFFSET LAVATORY STRAINERS, ADA COMPLIANT	125
OFFSET SINK STRAINERS, ADA COMPLIANT	125

OVERFLOWS 126

BRASS WASTE AND OVERFLOWS WITH CHAIN AND STOPPER	126
BRASS TRIP LEVER WASTES PLUNGER TYPE	126
BRASS POP-UP TRIP LEVER	126
BRASS POP-UP FOOT ACTIVATED	126
LIFT AND TURN WASTES	126

TRAP, STOP, AND SUPPLY PROTECTORS 127

INSUL-GUARD™ RETROFIT KITS	127
PRE-WRAPPED CAST BODY P-TRAPS WITH TUBULAR WALL BEND	127
PRE-WRAPPED CAST BODY P-TRAPS WITH LAVATORY OFFSET ASSEMBLY	127

FIXTURES 128

FLUSH VALVE TOILETS 129

1.1 GPF OR GREATER, ELONGATED, WALL HUNG FLUSH VALVE TOILET	129
1.28 GPF OR GREATER, CONCEALED, ELONGATED, WALL HUNG FLUSH VALVE TOILET	129
1.6 GPF, BACK OUTLET, FLOOR MOUNTED FLUSH VALVE TOILET	129
1.6 GPF, ADA HEIGHT, BACK OUTLET, FLOOR MOUNTED FLUSH VALVE TOILET	129
1.28 GPF OR GREATER, BACK OUTLET, FLOOR MOUNTED FLUSH VALVE TOILET	129
1.28 GPF OR GREATER, ADA HEIGHT, BACK OUTLET, FLOOR MOUNTED FLUSH VALVE TOILET	129
1.1 GPF OR GREATER, ELONGATED, FLOOR MOUNTED FLUSH VALVE TOILET	130
1.28 GPF OR GREATER, 14" HEIGHT, ELONGATED, FLOOR MOUNTED FLUSH VALVE TOILET	130
1.1 GPF OR GREATER, ADA HEIGHT, ELONGATED, FLOOR MOUNTED FLUSH VALVE TOILET	130
CHILDREN'S ROUND FLOOR MOUNTED FLUSH VALVE TOILET	130
1.6 GPF, HEAVY-DUTY BARIATRIC, ANTIMICROBIAL POWDER COATED	130
1.6 GPF, EXTRA-HEAVY-DUTY BARIATRIC, ANTIMICROBIAL POWDER COATED	130

TWO-PIECE TOILETS 131

1.28 GPF, ELONGATED, HIGH EFFICIENCY SIPHON JET TOILET	131
1.6 GPF, ELONGATED, HIGH PERFORMANCE, SIPHON JET TOILET	131
1.6 GPF, ELONGATED, SIPHON JET TWO-PIECE TOILET	131
1.6 GPF, ROUND, SIPHON JET TWO-PIECE TOILET	131
1.6 GPF, ADA HEIGHT, ELONGATED, SIPHON JET TWO-PIECE TOILET	131

TWO PIECE, PRESSURE ASSIST TOILET 132

1.0 GPF, HIGH EFFICENY, ELONGATED PRESSURE ASSIST TOILET	132
1.6 GPF, ELONGATED PRESSURE ASSIST TOILET	132
DUAL FLUSH 1.6/1.0 GPF, HIGH EFFICENY, ELONGATED PRESSURE ASSIST TOILET	132
PRESSURE ASSIST TOLIET OPTION ADDERS	132
PRESSURE ASSIST REPLACEMENT TANK KIT	132

URINALS 133

0.125 GPF, ULTRA LOW CONSUMPTION URINAL	133
1.0 GPF, SIPHON JET URINAL	133
0.125 GPF TO 1.0 GPF, OMNI-FLO URINAL	133
WATER FREE URINAL	133

WALL HUNG LAVATORIES 134

19"X17" WALL HUNG LAVATORIES	134
20" X18" WALL HUNG LAVATORIES	134
23" X 20-1/4" WHEELCHAIR LAVATORY	134

COUNTERTOP AND UNDERMOUNT LAVATORIES 135

20" X 17" SELF- RIMMING COUNTERTOP LAVATORIES	135
19" ROUND SELF- RIMMING COUNTERTOP LAVATORIES	135
19" X 16" UNDERMOUNT LAVATORIES	135

CAST IRON LAVATORIES 135

20" X 17" SELF-RIMMING ENAMELED CAST IRON LAVATORY	135
19" ROUND SELF-RIMMING ENAMELED CAST IRON LAVATORY	135
19"X17" ENAMELED CAST IRON WALL HUNG LAVATORY	135
20" X 18" ENAMELED CAST IRON WALL HUNG LAVATORY	135

HOSPITAL AND INSTITUTIONAL FIXTURES 136

WALL MOUNT, BLOWOUT SERVICE SINK	136
FLOOR MOUNTED, SIPHON JET SERVICE SINK	136
28" X 22" SURGEON SINK	136

SPECIALTY FIXTURES 136

CUSTODIAL FLOOR SINK	136
SERVICE SINK	136
CAST IRON TRAP STANDARD FOR SERVICE SINKS	136

TOILET SEATS 137

TOLIET SEATS	137
--------------	-----

MISCELLANEOUS PARTS 138

TOILETS	138
URINALS	138
LAVATORIES	138
OTHER	139

AQUAPARTS® AND ASSEMBLIES 146

A – FLUSH TUBES WITH VACUUM BREAKER FOR AQUAVANTAGE® AND AQUAFLUSH® FLUSH VALVES	147
B – VACUUM BREAKER REPAIR KITS FOR AQUAVANTAGE® AND AQUAFLUSH®	148
C, D – CONTROL STOP KITS FOR AQUAVANTAGE® AND AQUAFLUSH®	148
E – INTERNAL KITS AND ASSEMBLIES	149
G, H – WALL FLANGES, SPUD CONNECTIONS, AND COUPLINGS FOR AQUAVANTAGE® AND AQUAFLUSH®	150
J, K – TAILPIECE EXTENSIONS AND COUPLING NUT ASSEMBLIES FOR AQUAVANTAGE® AND AQUAFLUSH®	151
L, M – VALVE CAPS AND HANDLE PARTS FOR AQUAVANTAGE® AND AQUAFLUSH® EXPOSED FLUSH VALVES	151
METRO – METROFLUSH® FLUSH VALVE PARTS	152
N – CONCEALED VALVE ACTUATOR ASSEMBLIES AND REPAIR PARTS FOR AQUAVANTAGE® AND AQUAFLUSH®	152
ORK – E-Z FLUSH®/OPTIMA PLUS CHANGE-OUT KITS	154
M-ORK – HANDLE/OPTIMA PLUS CHANGE-OUT KITS	154
P – DIVERTER PARTS FOR BEDPAN WASHERS	154
Q – MISCELLANEOUS FLUSH CONNECTIONS AND ELBOWS FOR AQUAVANTAGE® AND AQUAFLUSH® CONCEALED VALVES	155
TPO – TRAP PRIMER PARTS FOR AQUAVANTAGE® AND AQUAFLUSH® VALVES	156
Y – MISCELLANEOUS VALVE PARTS AND ACCESSORIES	156
ZH – HYDRAULIC SERIES FLUSH VALVE REPAIR KITS AND PARTS FOR AQUAVANTAGE® AND AQUAFLUSH® VALVES	157
ZEMS – AQUASENSE® ZEMS ELECTRONIC SENSOR REPLACEMENT PARTS	158
ZERK – AQUASENSE® E-Z FLUSH BATTERY SENSOR REPLACEMENT PARTS	158
ZR – AQUASENSE® RETROFLUSH® BATTERY SENSOR REPLACEMENT PARTS	159
ZTS – ECOVANTAGE® BATTERY SENSOR FLUSH VALVES – ZTS SERIES	159

ZTR – ECOVANTAGE® BATTERY SENSOR FLUSH VALVES – ZTR SERIES	160
--	-----

Z5795 WATERFREE URINAL PARTS	161
------------------------------	-----

ZBF – AQUASENSE® E-Z SENSOR-OPERATED FAUCETS REPLACEMENT PARTS	161
--	-----

PRODUCTS/PARTS EXPLODED VIEWS WITH IDENTIFICATION 165

AQUAVANTAGE® AV FLUSH VALVES WITH CHEMICAL AND CLOG-RESISTANT, TRIPLE FILTER DIAPHRAGM	165
AQUAVANTAGE® AND AQUAFLUSH® CONCEALED REPLACEMENT PARTS - Z6100AV AND Z6100 SERIES	166
AQUAFLUSH® FLUSH VALVES WITH CHEMICAL AND CLOG-RESISTANT DIAPHRAGM	167
AQUAVANTAGE® AND AQUAFLUSH® HYDRAULIC-OPERATED REPLACEMENT PARTS	168
METROFLUSH® REPLACEMENT PARTS	169
BEDPAN WASHER REPLACEMENT PARTS	170
ZTR6200EV SERIES REPLACEMENT PARTS	171
ZEMS-IS SERIES REPLACEMENT PARTS	172
ZEMS CLOSET SERIES REPLACEMENT PARTS	173
ZEMS URINAL VALVE REPLACEMENT PARTS	174
ZEMS G2 SERIES REPLACEMENT PARTS	175
ZEMS G2 SERIES REPLACEMENT PARTS	177
E-Z FLUSH® REPLACEMENT PARTS	178
RETROFLUSH® REPLACEMENT PARTS	179
AQUASENSE® E-Z SENSOR - Z6913-XL AND Z6915-XL FAUCETS REPLACEMENT PARTS	180
AQUASENSE® E-Z SENSOR - Z6920-XL (DECK MOUNT) AND Z6922-XL (BACK MOUNT) FAUCET REPLACEMENT PARTS	181
AQUASENSE® E-Z SENSOR - Z6930-XL FAUCET REPLACEMENT PARTS	182
Z6950 AQUA-FIT® SERIO SERIES™ REPLACEMENT PARTS	183

ALPHANUMERIC INDEX 184

FLUSH VALVES

FLUSH VALVE INTRODUCTION	8	METROFLUSH® AQUASENSE® E-Z FLUSH® ZER EXPOSED SENSOR BATTERY PISTON FLUSH VALVES	19	HYDRAULIC FLUSH VALVES	28
EXPOSED MANUAL FLUSH VALVES	9	AQUASENSE® E-Z FLUSH® RETROFIT KITS	19	AQUAVANTAGE® AV EXPOSED ZH HYDRAULIC ACTUATION DIAPHRAGM FLUSH VALVES	28
AQUAVANTAGE® AV EXPOSED MANUAL DIAPHRAGM FLUSH VALVES	9	AQUAVANTAGE® AV ZR RETROFLUSH® SENSOR BATTERY FLUSH VALVE	20	AQUAVANTAGE® AV CONCEALED ZH HYDRAULIC ACTUATION DIAPHRAGM FLUSH VALVES	29
AQUAVANTAGE® AV EXPOSED MANUAL DIAPHRAGM FLUSH VALVES	10	AQUAVANTAGE® AV ZR RETROFLUSH® FLUSH VALVE BODY LESS STOP AND FLUSH CONNECTION	20	AQUAFLUSH® PLUS PL EXPOSED ZH HYDRAULIC ACTUATION DIAPHRAGM FLUSH VALVES	29
AQUAFLUSH® PLUS PL EXPOSED MANUAL DIAPHRAGM FLUSH VALVES	11	ZR RETROFLUSH® - RETROFIT KIT ONLY	20	AQUAFLUSH® EXPOSED ZH HYDRAULIC ACTUATION DIAPHRAGM FLUSH VALVES	30
AQUAFLUSH® EXPOSED MANUAL DIAPHRAGM FLUSH VALVES	12	OPTIONS FOR SENSOR FLUSH VALVE	20	AQUAFLUSH® CONCEALED ZH HYDRAULIC ACTUATION DIAPHRAGM FLUSH VALVES	30
METROFLUSH® EXPOSED PISTON FLUSH VALVES	12	EXPOSED SENSOR HARDWIRED FLUSH VALVES	21	OPTIONS FOR HYDRAULIC ACTUATION	30
EXPOSED MANUAL DIAPHRAGM FLUSH VALVES WITH BEDPAN DIVERter	13	ECOVANTAGE® ZTR EXPOSED HARDWIRED SENSOR PISTON FLUSH VALVES	21	PRISON FLUSH VALVES	31
AQUAVANTAGE® AV EXPOSED MANUAL DIAPHRAGM FLUSH VALVES WITH BEDPAN DIVERter VALVE	13	AQUAVANTAGE® AV ZEMS EXPOSED HARDWIRED SENSOR DIAPHRAGM FLUSH VALVES	21	AQUAVANTAGE® AV PRISON FLUSH VALVES	31
AQUAFLUSH® PLUS PL EXPOSED MANUAL DIAPHRAGM FLUSH VALVES WITH BEDPAN DIVERter VALVE	14	AQUAFLUSH® PLUS PL ZEMS EXPOSED HARDWIRED SENSOR DIAPHRAGM FLUSH VALVES	22	AQUAVANTAGE® AV ZH HYDRAULIC ACTUATION PRISON FLUSH VALVES	31
AQUAFLUSH® EXPOSED MANUAL DIAPHRAGM FLUSH VALVES WITH BEDPAN DIVERter VALVE	14	AQUAFLUSH® ZEMS EXPOSED HARDWIRED SENSOR DIAPHRAGM FLUSH VALVES	22	AQUAFLUSH® PRISON FLUSH VALVES	32
EXPOSED CLINIC AND SERVICE SINK FLUSH VALVES	15	METROFLUSH® ZEMS EXPOSED HARDWIRED SENSOR PISTON FLUSH VALVES	23	AQUAFLUSH® ZH HYDRAULIC ACTUATION PRISON FLUSH VALVES	32
EXPOSED MANUAL DIAPHRAGM FLUSH VALVES FOR CLINIC AND SERVICE SINKS	15	HARDWIRED SENSOR FLUSH VALVES OPTIONS	23	AQUAVANTAGE® AV FOOT PEDAL ACTUATION FLUSH VALVES	32
EXPOSED SENSOR FLUSH VALVES	16	CONCEALED FLUSH VALVES	24	FLUSH VALVES FOR EASTERN STYLE WATER CLOSETS	33
ECOVANTAGE® ZTR EXPOSED SENSOR BATTERY PISTON FLUSH VALVES	16	AQUAVANTAGE® AV ZEMS CONCEALED HARDWIRED IN WALL SENSOR DIAPHRAGM FLUSH VALVES	24	ACCESS PANELS	33
AQUASENSE® E-Z FLUSH® AQUAVANTAGE® AV EXPOSED SENSOR BATTERY DIAPHRAGM FLUSH VALVES	16	AQUAVANTAGE® AV ZER CONCEALED BATTERY IN WALL SENSOR DIAPHRAGM FLUSH VALVES	25	RETROFIT X-BODIES - EXPOSED AND CONCEALED	34
AQUASENSE® E-Z FLUSH® AQUAVANTAGE® AV EXPOSED SENSOR BATTERY DIAPHRAGM FLUSH VALVES	17	AQUAFLUSH® CONCEALED DIAPHRAGM FLUSH VALVES	27	ACCESSORIES/VARIATIONS	35
AQUASENSE® E-Z FLUSH® AQUAFLUSH® PLUS PL EXPOSED SENSOR BATTERY DIAPHRAGM FLUSH VALVES	18	SPECIALITY ITEMS	36	ZURN® AQUAVANTAGE® AV/SLOAN® FLUSH VALVE CROSS REFERENCE	37
AQUASENSE® E-Z FLUSH® AQUAFLUSH® EXPOSED SENSOR BATTERY DIAPHRAGM FLUSH VALVES	18				

FLUSH VALVE INTRODUCTION

Zurn is proud to offer a broad selection of manual and sensor flush valves to meet building owners' and facilities managers' wide variety of needs. Our EcoVantage® water-conserving valves lead the industry with the highest levels of performance while maximizing water savings. We were the first to launch the pint urinal, and we're still leading the market with our Omni-Flo™ urinal and 1.1gpf AquaVantage® flush valves. And with a wide variety of technologies and installation types, specifiers are sure to find a product to suit their applications.

AquaVantage® AV Diaphragm Flush Valves

Zurn AquaVantage flush valves feature a chemical and clog-resistant triple filter diaphragm, ensuring that the contaminants in your water won't clog the diaphragm over time. Like all Zurn diaphragms, these are made from Zurn's GO BLUE! thermoplastic elastomer material, designed to last up to 10 times longer than the competition. AV flush valves come standard with an ADA-compliant sensor or handle, vandal-resistant control stop cover, high-pressure vacuum breaker, and cast wall flange with set screws. All components can be purchased separately as replacement parts or as retrofit kits to provide any Zurn or Sloan diaphragm flush valve with the AquaVantage®.

Aquaflush® PLUS PL Flush Valves

The Aquaflush PLUS PL series offer Zurn's chloramine-resistant TPE diaphragm with a clog resistant bypass, ADA compliant valve with a non-hold open handle or sensor, cast wall flange with set screw, vandal-resistant control stop cover, high-pressure vacuum breaker, and sweat solder kit.

Aquaflush® Z6000 Series Flush Valves

For those applications that do not require the advanced features of Zurn's AquaVantage® AV line, the Z6000 Series is supplied with ADA handle and standard control stop cover with stamped wall flange and chemical-resistant diaphragm kit.

ZTR Sensor Piston Flush Valves

Zurn's ZTR sensor piston flush valve series provides a high-performance flushing system with unsurpassed water savings, all in a contemporary, streamlined design. The ZTR is equipped with chloramine-resistant internal seals which reduce maintenance costs, while flow rates as low as 1.1gpf (closets) and 0.125gpf (urinal) save 30% more water than typical 1.6gpf bowls.

ZTR piston flush valves come standard with chemical and clog-resistant components, ADA-compliant sensor activation, cast wall flange with set screw, vandal-resistant control stop cover, high-pressure vacuum breaker, and sweat solder kit. This product can be installed for new construction or retrofitted to existing installations to lower building costs and provide long-term savings.

Metroflush® Manual Piston Flush Valves

Zurn Metroflush® manual piston flush valves are equipped with a chloramine-resistant piston with clog-resistant filtered bypass, and chemical-resistant gaskets and seals for extended service life with lower maintenance costs.

ACTUATION

Manual

Requiring direct contact from the user to activate a flush via a handle, push button, or foot pedal actuator; these valves are the cornerstone of the Zurn flush valve portfolio. Manual valves can be either diaphragm or piston operated.

Sensor

Zurn's AquaSense® sensor technology provides reliable actuation through a continuous infrared beam that can detect the difference between a fixture user and passersby. Sensor placement can be integral to the valve or wall-mounted in a concealed application. With battery or hardwire power options, sensor valves can be either diaphragm or piston operated.

Hydraulic

Utilizing hydraulic pressure, this style requires manual activation to trip a non-hold-open type hydraulic push button actuator that may be located up to 36" from the valve. Hydraulic valves are diaphragm operated.

Power Options

Hardwire, Battery and Long-Life Battery (-LL)

Most Zurn sensor flush valves are available in either battery or hard-wired configurations, depending on the installation requirements. Some valves, noted with a -LL suffix, offer a 10-year lithium battery option for long-life installations

Exposed vs. Concealed Installations

Exposed flush valves offer ease of access and utility for everyday projects, with all working components in view. These installations are the most common, with easier access for servicing and retrofit.

Concealed flush valves such as the ZEMS line of valves bring the everyday reliability of exposed valves to those situations where aesthetics and security lead over function. Consider adding an access panel to provide quick and simple access to in-wall concealed flush valves while maintaining the discreet appearance.

EXPOSED MANUAL FLUSH VALVES

AquaVantage® AV Exposed Manual Diaphragm Flush Valves

PRODUCT NO.	DESCRIPTION	FLOW RATE	UPC	LIST PRICE
AquaVantage® AV Exposed Flush Valve for 1-1/2" Top Spud Water Closet				
Z6000AV-ONE	Standard 11 1/2" Rough-in	1.1 gpf	889934100495	209.59
Z6000AV-HET	Standard 11 1/2" Rough-in	1.28 gpf	670240364417	209.59
Z6000AV-HET-DF	w/ Dual Flush Handle	1.1/1.28 gpf	670240848412	234.28
Z6000AV-1-HET	16" Rough-In	1.28 gpf	670240456983	214.14
Z6000AV-2-HET	24" Rough-In	1.28 gpf	670240381544	224.16
Z6000AV-3-HET	27" Rough-In	1.28 gpf	670240382282	227.95
Z6000AV-HET-H	w/ Front Handle	1.28 gpf	670240490925	227.32
Z6000AV-HET-HL3	w/ Front 3" Push Button	1.28 gpf	670240794719	245.63
Z6000AV-HET-YG	w/ Extended bumper on control stop	1.28 gpf	670240387904	220.03
Z6000AV-HET-YO	w/ Bumper on angle stop	1.28 gpf	670240449572	209.59
Z6000AV-WS1	Standard 11 1/2" Rough-in	1.6 gpf	670240576964	209.59
Z6000AV-WS1-DF	w/ Dual Flush Handle	1.1/1.6 gpf	670240654471	234.28
Z6000AV-1-WS1	16" Rough-In	1.6 gpf	670240546493	227.32
Z6000AV-2-WS1	24" Rough-In	1.6 gpf	670240532540	245.63
Z6000AV-3-WS1	27" Rough-In	1.6 gpf	670240532267	220.03
Z6000AV-WS1-H	w/ Front Handle	1.6 gpf	670240547698	227.32
Z6000AV-WS1-HL3	w/ Front 3" Push Button	1.6 gpf	670240530850	245.63
Z6000AV-WS1-YG	w/ Extended bumper on control stop	1.6 gpf	670240580824	220.03
Z6000AV-WS1-YO	w/ Bumper on angle stop	1.6 gpf	670240529175	209.59
AquaVantage® AV Exposed Extended Flush Valve for 1-1/2" Top Spud Water Closet				
Z6011AV-WS1	26-1/2" Rough-In for Grab Bar	1.6 gpf	670240537170	229.78
Z6014AV-WS1	34-3/8" Rough-In	1.6 gpf	670240541238	237.97
AquaVantage® AV Exposed Flush Valve for 1-1/2" Back Spud Water Closets				
Z6010AV-HET	Standard 11 1/2" Rough-in	1.28 gpf	670240834941	227.53
Z6010AV-1-HET	16" Rough-In	1.28 gpf	-	674.33
Z6010AV-2-HET	24" Rough-In	1.28 gpf	670240965034	727.35
Z6010AV-WS1	Standard 11 1/2" Rough-in	1.6 gpf	670240547728	227.53
Z6010AV-WS1-DF	w/ Dual Flush Handle	1.1/1.6 gpf	-	674.33
Z6010AV-1-WS1	16" Rough-In	1.6 gpf	-	727.35
Z6010AV-2-WS1	24" Rough-In	1.6 gpf	-	727.35
AquaVantage® AV Exposed Flush Valve for 1-1/4" Top Spud Urinals				
Z6001AV-WS1	Standard 11 1/2" Rough-in	1.0 gpf	670240532755	209.59
Z6001AV-WS1-H	w/ Front Handle	1.0 gpf	670240370791	227.32
Z6001AV-WS1-HL3	w/ Front 3" Push Button	1.0 gpf	-	245.63



Z6000AV



Z6014AV



Z6010AV



Z6001AV

AquaVantage® AV Exposed Manual Diaphragm Flush Valves

PRODUCT NO.	DESCRIPTION	FLOW RATE	UPC	LIST PRICE
AquaVantage® AV Exposed Flush Valve for 3/4" Top Spud Urinals				
Z6003AV-ULF	Standard 11 1/2" Rough-in	0.125 gpf	670240382749	209.59
Z6003AV-EWS	Standard 11 1/2" Rough-in	0.5 gpf	670240632264	209.59
Z6003AV-WS1	Standard 11 1/2" Rough-in	1.0 gpf	670240577244	209.59
Z6003AV-WS1-H	w/ Front Handle	1.0 gpf	670240574564	227.32
Z6003AV-WS1-HL3	w/ Front 3" Push Button	1.0 gpf	670240537903	245.63
Z6003AV-WS1-U	w/ 1 1/4" Flush Connection	1.0 gpf	670240648142	209.59
AquaVantage® AV Exposed Flush Valve with Trap Primer				
Z6000AV-WS1-TP	Standard 11 1/2" Rough-in	1.6 gpf	670240538245	273.00
Z6000AV-1-WS1-TP	16" Rough-In	1.6 gpf	670240602946	284.73
Z6000AV-2-WS1-TP	24" Rough-In	1.6 gpf	670240544369	298.07
Z6000AV-3-WS1-TP	27" Rough-In	1.6 gpf	-	312.69
AquaVantage® AV Trap Primer Assembly ONLY				
P6000-TPO	Standard 11 1/2" Rough-in		670240413184	84.58
P6000-1-TPO	16" Rough-In		670240414440	94.24
P6000-2-TPO	24" Rough-In		670240414358	99.01
P6000-3-TPO	27" Rough-In		670240414235	103.99
	Less Fittings Deduct			5.90
P6000-TPE	Trap Primer Elbow for Concealed Valve		670240441330	49.31
P6000-TPF	Fittings Only for -TP		670240448407	33.57
AquaVantage® AV Exposed Flush Valve for Flushing Floor Drains				
Z6099AV-WS1		1.6 gpf	670240551046	301.86



Z6003AV



Z6000AV-TP



P6000-TPO



Z6099AV

Aquaflush® Plus PL Exposed Manual Diaphragm Flush Valves

PRODUCT NO.	DESCRIPTION	FLOW RATE	UPC	LIST PRICE
Aquaflush® Plus PL Exposed Flush Valve for 1-1/2" Top Spud Water Closets				
Z6000PL-ONE	Standard 11 1/2" Rough-in	1.1 gpf	–	196.30
Z6000PL-HET	Standard 11 1/2" Rough-in	1.28 gpf	670240382008	196.30
Z6000PL-1-HET	16" Rough-In	1.28 gpf	670240807679	201.02
Z6000PL-2-HET	24" Rough-In	1.28	670240388079	210.44
Z6000PL-3-HET	27" Rough-In	1.28 gpf	670240484870	214.03
Z6000PL-WS1	Standard 11 1/2" Rough-in	1.6 gpf	670240552852	196.30
Z6000PL-WS1-DF	w/ Dual Flush Handle	1.1/1.6 gpf	670240403291	220.99
Z6000PL-1-WS1	16" Rough-In	1.6 gpf	670240642096	201.02
Z6000PL-2-WS1	24" Rough-In	1.6 gpf	670240574045	210.44
Z6000PL-3-WS1	27" Rough-In	1.6 gpf	670240393127	214.03
Aquaflush® Plus PL Exposed Flush Valve for 1-1/2" Back Spud Water Closets				
Z6010PL-HET	Standard 11 1/2" Rough-in	1.28 gpf	670240847941	213.55
Z6010PL-WS1	Standard 11 1/2" Rough-in	1.6 gpf	670240244993	213.55
Aquaflush® Plus PL Exposed Flush Valve for 1-1/4" Top Spud Urinals				
Z6001PL-WS1	Standard 11 1/2" Rough-in	1.0 gpf	670240606944	196.30
Aquaflush® Plus PL Exposed Flush Valve for 3/4" Top Spud Urinals				
Z6003PL-EWS	Standard 11 1/2" Rough-in	.5 gpf	670240422902	196.30
Z6003PL-WS1	Standard 11 1/2" Rough-in	1.0 gpf	670240552845	196.30
Z6003PL-ULF	Standard 11 1/2" Rough-in	.125 gpf	670240459007	196.30
Aquaflush® Plus PL Exposed Flush Valve with Trap Primer				
Z6000PL-WS1-TP	w/ Trap Primer	1.6 gpf	670240638266	256.34
Z6000PL-WS1-TP-YK	w/ Trap Primer and Solid Ring Pipe Support	1.6 gpf	670240788671	293.67



Z6000PL-HET



Z6010PL-WS1



Z6001PL-WS1



Z6003PL-WS1



Z6000PL-WS1-TP

Aquaflush® Exposed Manual Diaphragm Flush Valves

PRODUCT NO.	DESCRIPTION	FLOW RATE	UPC	LIST PRICE
Aquaflush® Exposed Flush Valve for 1-1/2" Top Spud Water Closets				
Z6000-ONE-YB-YC	Standard 11 1/2" Rough-in	1.1 gpf	-	179.37
Z6000-WS1-YB-YC	Standard 11 1/2" Rough-in	1.6 gpf	670240410602	179.37
Z6000-1-WS1-YB-YC	16" Rough-In	1.6 gpf	670240420410	183.66
Z6000-2-WS1-YB-YC	24" Rough-In	1.6 gpf	670240421653	192.23
Z6000-3-WS1-YB-YC	27" Rough-In	1.6 gpf	670240422988	195.50
Aquaflush® Exposed Extended Flush Valve for 1-1/2" Top Spud Water Closets				
Z6014-YB-YC	34-3/8" Rough-In	3.5 gpf	670240428805	204.07
Aquaflush® Exposed Flush Valve for 1-1/2" Back Spud Water Closets				
Z6010-WS1-YB-YC	Standard 11 1/2" Rough-in	1.6 gpf	670240427365	195.07
Z6010-1-WS1-YB-YC	16" Rough-In	1.6 gpf	670240426535	197.11
Z6010-2-WS1-YB-YC	24" Rough-In	1.6 gpf	670240426856	208.09
Aquaflush® Exposed Flush Valve for 1-1/4" Top Spud Urinal				
Z6001-WS1-YB-YC	Standard 11 1/2" Rough-in	1.0 gpf	670240416574	179.37
Aquaflush® Exposed Flush Valve for 3/4" Top Spud Urinal				
Z6003-EWS-YB-YC	Standard 11 1/2" Rough-in	.5 gpf	670240396975	179.37
Z6003-WS1-YB-YC	Standard 11 1/2" Rough-in	1.0 gpf	670240410688	179.37
Aquaflush® Flush Valve with Trap Primer				
Z6000-WS1-TP-YB-YC	Standard 11 1/2" Rough-in		670240421028	239.74
Z6000-1-WS1-TP-YB-YC	16" Rough-In		-	244.08
Z6000-2-WS1-TP-YB-YC	24" Rough-In	1.6 gpf	670240242210	252.65

Metroflush® Exposed Piston Flush Valves

PRODUCT NO.	DESCRIPTION	FLOW RATE	UPC	LIST PRICE
Metroflush® Exposed Flush Valve for 1-1/2" Top Spud Water Closets				
Z6200-HET-YB-YC	Standard 11 1/2" Rough-in	1.28 gpf	670240457102	208.62
Z6200-1-HET-YB-YC	16" Rough-In	1.28 gpf	670240816343	
Z6200-2-HET-YB-YC	24" Rough-In	1.28 gpf	670240688018	223.67
Z6200-WS1-YB-YC	Standard 11 1/2" Rough-in	1.6 gpf	670240528741	208.62
Z6200-1-WS1-YB-YC	16" Rough-In	1.6 gpf	670240654501	
Z6200-2-WS1-YB-YC	24" Rough-In	1.6 gpf	670240390355	223.67
Metroflush® Plus Exposed Flush Valve for 1-1/2" Top Spud Water Closets				
Z6200PL-HET	Standard 11 1/2" Rough-in	1.28 gpf	670240337053	196.30
Z6200PL-WS1	Standard 11 1/2" Rough-in	1.6 gpf	670240022461	196.30
Metroflush® Exposed Flush Valve for 1-1/2" Back Spud Water Closets				
Z6210-HET-YB-YC	Standard 11 1/2" Rough-in	1.28 gpf	670240846968	227.00
Z6210-WS1-YB-YC	Standard 11 1/2" Rough-in	1.6 gpf	-	227.00
Metroflush® Exposed Flush Valve for 3/4" Top Spud Urinal				
Z6203-EWS-YB-YC	Standard 11 1/2" Rough-in	.5 gpf	670240355668	208.62
Z6203-WS1-YB-YC	Standard 11 1/2" Rough-in	1.0 gpf	670240565005	208.62
Metroflush® Plus Exposed Flush Valve for 3/4" Top Spud Urinal				
Z6203PL-EWS	Standard 11 1/2" Rough-in	.5 gpf	670240690622	196.30
Z6203PL-WS1	Standard 11 1/2" Rough-in	1.0 gpf	670240923751	196.30



Z6000



Z6001



Z6003



Z6200-HET-YB-YC



Z6210-WS1-YB-YC



Z6203-WS1-YB-YC

For additional product information, please visit www.zurn.com.

When ordering parts, always list product number and description.

EXPOSED MANUAL DIAPHRAGM FLUSH VALVES WITH BEDPAN DIVERTER

AquaVantage® AV Exposed Manual Diaphragm Flush Valves with Bedpan Diverter Valve

PRODUCT NO.	DESCRIPTION	FLOW RATE	UPC	LIST PRICE
AquaVantage® AV Exposed Flush Valve with Bedpan Diverter Valve for 1-1/2" Top Spud Water Closet				
Z6000AV-HET-BWN	26-1/2" Rough-In - for Rough-In Without Grab Bar	1.28 gpf	670240383241	650.33
Z6000AV-HET-BWN1	34-3/8" Rough-In - for Rough-In Without Grab Bar	1.28 gpf	670240705999	650.33
Z6000AV-WS1-BWN	26-1/2" Rough-In - for Rough-In Without Grab Bar	1.6 gpf	670240585843	650.33
Z6000AV-WS1-BWN1	34-3/8" Rough-In - for Rough-In Without Grab Bar	1.6 gpf	670240621282	650.33
AquaVantage® AV Exposed Flush Valve with Bedpan Diverter Valve with Deoseptic Bottle for 1-1/2" Top Spud Water Closet				
Z6000AV-WS1-BWND	26-1/2" Rough-In	1.6 gpf	670240366909	799.22
Z6000AV-WS1-BWN1-D	34-3/8" Rough-In	1.6 gpf	-	799.22
AquaVantage® AV Exposed Retrofit Flush Valve with Bedpan Diverter Valve for 1-1/2" Top Spud Water Closet				
Z6010AV-HET-BWN	26-1/2" Rough-In - for Retrofitting an Existing Flush Valve with a Bedpan Diverter	1.28 gpf	-	735.17
Z6010AV-HET-BWN1	34-3/8" Rough-In - for Retrofitting an Existing Flush Valve with a Bedpan Diverter	1.28 gpf	-	752.36
Z6010AV-WS1-BWN	26-1/2" Rough-In - for Retrofitting an Existing Flush Valve with a Bedpan Diverter	1.6 gpf	670240626294	735.17
Z6010AV-WS1-BWN1	34-3/8" Rough-In - for Retrofitting an Existing Flush Valve with a Bedpan Diverter	1.6 gpf	-	752.36
AquaVantage® AV Exposed Retrofit Flush Valve with Bedpan Diverter Valve with Deoseptic Bottle for 1-1/2" Top Spud Water Closet				
Z6010AV-WS1-BWN-D	26-1/2" Rough-In	1.6 gpf	-	930.08
Z6010AV-WS1-BWN1-D	34-3/8" Rough-In	1.6 gpf	-	930.08
AquaVantage® AV Exposed Flush Valve with Bedpan Diverter Valve for 1-1/2" Top Spud Water Closet - for Handicap Grab Bar Applications				
Z6011AV-HET-BWN	26-1/2" Rough-In - for Handicap Grab Bar Applications	1.28 gpf	670240386495	687.44
Z6011AV-WS1-BWN	26-1/2" Rough-In - for Handicap Grab Bar Applications	1.6 gpf	670240599666	687.44
AquaVantage® AV Exposed Flush Valve with Bedpan Diverter Valve with Deoseptic Bottle for 1-1/2" Top Spud Water Closet - for Handicap Grab Bar Applications				
Z6011AV-WS1-BWND	26-1/2" Rough-In - for Handicap Grab Bar Applications	1.6 gpf	670240386921	836.24
AquaVantage® AV Concealed Flush Valve with Bedpan Diverter Valve for 1-1/2" Top Spud Water Closet				
Z6020AV-WS1-BWN		1.6 gpf	-	1,183.63
AquaVantage® AV Concealed Flush Valve with Bedpan Diverter Valve and Deoseptic Bottle for 1-1/2" Top Spud Water Closet				
Z6020AV-WS1-BWN-D		1.6 gpf	-	1,284.22
AquaVantage® AV Exposed Flush Valve with Foot Pedal Operated and Bedpan Diverter for 1-1/2" Top Spud Water Closet				
Z6040AV-WS1-BWN		1.6 gpf	670240621367	1,127.76
AquaVantage® AV Exposed Flush Valve with Foot Pedal Operated, Bedpan Diverter, and Deoseptic Bottle for 1-1/2" Top Spud Water Closet				
Z6040AV-WS1-BWN-D		1.6 gpf	-	1,284.22
AquaVantage® AV Exposed Flush Valve with Hydraulic Actuator and Bedpan Diverter for 1-1/2" Top Spud Water Closet				
ZH6000AV-HET-BWN	26-1/2" Rough-In		-	917.22
ZH6000AV-WS1-BWN1	34-3/8" Rough-In	1.6 gpf	-	917.22
ZH6011AV-WS1-BWN	for Grab Bar	1.6 gpf	-	954.55
AquaVantage® AV Exposed Flush Valve with Hydraulic Actuator, Bedpan Diverter, and Deoseptic Bottle for 1-1/2" Top Spud Water Closet				
ZH6000AV-WS1-BWN1-D	34-3/8" RI	1.6 gpf	-	1,056.80



Z6000AV-BWN



Z6010AV-BWN



Z6011AV-BWN



Z6020AV-BWN



Z6040AV-BWN



ZH6000AV-BWN

Aquaflush® Plus PL Exposed Manual Diaphragm Flush Valves with Bedpan Diverter Valve

PRODUCT NO.	DESCRIPTION	FLOW RATE	UPC	LIST PRICE
Aquaflush® Plus PL Exposed Flush Valve with Bedpan Diverter Valve				
Z6000PL-HET-BWN	26-1/2" Rough-In	1.28 gpf	670240796768	636.99
Z6000PL-HET-BWN1	34-3/8" Rough-In	1.28 gpf	670240967052	631.39
Z6000PL-WS1-BWN	26-1/2" Rough-In	1.6 gpf	670240641174	636.99
Z6000PL-WS1-BWN1	34-3/8" Rough-In	1.6 gpf	670240646766	636.99

Aquaflush® Exposed Manual Diaphragm Flush Valves with Bedpan Diverter Valve

PRODUCT NO.	DESCRIPTION	FLOW RATE	UPC	LIST PRICE
Aquaflush® Exposed Flush Valve with Bedpan Washer for 1-1/2" Top Spud Water Closet				
Z6000-WS1-BWN-YB-YC	26-1/2" Rough-In	1.6 gpf	670240600263	555.16
Z6000-WS1-BWN1-YB-YC	34-3/8" Rough-In	1.6 gpf	670240621879	555.16
Z6000-WS1-BWN-HL3-YB-YC	26-1/2" Rough-In with Front Facing 3" Metal Push Button	1.6 gpf	-	590.24
Aquaflush® Exposed Retrofit Flush Valve with Bedpan Washer for 1-1/2" Top Spud Water Closet				
Z6010-WS1-BWN-YB-YC	26-1/2" Rough-In - for Retrofitting an Existing Flush Valve with a Bedpan Diverter	1.6 gpf	-	630.35
Z6010-WS1-BWN1-YB-YC	34-3/8" Rough-In - for Retrofitting an Existing Flush Valve with a Bedpan Diverter	1.6 gpf	-	630.66
Aquaflush® Exposed Flush Valve with Bedpan Washer for 1-1/2" Top Spud Water Closet - for Handicap Grab Bar Applications				
Z6011-WS1-BWN-YB-YC	26-1/2" Rough-In - for Handicap Grab Bar Applications	1.6 gpf	670240602311	587.07
Aquaflush® Exposed Bedpan Diverter Less Flush Valve				
Z6000-DVN	26-1/2" Rough-In	-	670240597440	422.38
Z6000-DVN1	34-3/8" Rough-In	-	670240597778	422.38
Z6000-DVN-020	26-1/2" Rough-In Diverter with 2" Offset	-	670240608887	465.23
Z6000-DN	Diverter Assembly with Spray Arm. No top or bottom tubes.	-	670240608900	362.87
Aquaflush® Exposed Retrofit Bedpan Diverter Less Flush Valve				
Z6010-DVN	26-1/2" Rough-In - for Retrofitting an Existing Flush Valve with a Bedpan Diverter	-	670240596818	482.32
Z6010-DVN1	34-3/8" Rough-In - for Retrofitting an Existing Flush Valve with a Bedpan Diverter	-	670240659391	482.32
Aquaflush® Exposed Bedpan Diverter Less Flush Valve - for Handicap Grab Bar Applications				
Z6011-DVN	26-1/2" Rough-In - for Handicap Grab Bar Applications	-	670240601819	422.38
Aquaflush® Exposed Bedpan Diverter with Deoseptic Bottle Less Flush Valve				
Z6000-DVN1-D	34-3/8" Rough-In	-	-	566.35
Z6010-DVN1-D	34-3/8" Rough-In	-	-	583.43
Z6000-DVN-D	26-1/2" Rough-In	-	670240626256	455.64
Z6000-DVN1-D-020	34-3/8" Rough-In	-	-	577.49
Aquaflush® Exposed Retrofit Bedpan Diverter with Deoseptic Bottle Less Flush Valve				
Z6010-DVN-D	26-1/2" Rough-In	-	-	472.88
Aquaflush® Exposed Bedpan Diverter with Deoseptic Bottle Less Flush Valve - for Handicap Grab Bar Applications				
Z6011-DVN-D	26-1/2" Rough-In - for Handicap Grab Bar Applications	-	670240238121	566.35



Z6000-DVN



Z6010-DVN



Z6011-DVN

EXPOSED CLINIC AND SERVICE SINK FLUSH VALVES

Exposed Manual Diaphragm Flush Valves for Clinic and Service Sinks

PRODUCT NO.	DESCRIPTION	FLOW RATE	UPC	LIST PRICE
AquaVantage® AV Exposed Flush Valve for Clinic and Service Sinks				
Z6017AV	Standard 24" Rough In	6.5 gpf	670240545557	224.04
Z6017AV-H	w/ Front Handle	6.5 gpf	670240548558	242.31
Z6017AV-H-O10	w/ Front Handle and 1" Offset	6.5 gpf	670240550742	279.00
Z6017AV-H-O15	w/ Front Handle and 1-1/2" Offset	6.5 gpf	670240548770	279.00
Z6017AV-H-O20	w/ Front Handle and 2" Offset	6.5 gpf	670240549371	279.00
Z6017AV-O10	w/ 1" Offset	6.5 gpf	670240563919	260.63
Z6017AV-O15	w/ 1-1/2" Offset	6.5 gpf	670240573765	260.63
Z6017AV-O20	w/ 2" Offset	6.5 gpf	670240548763	260.63
Z6017AV-HL3	w/ Front 3" Push Button	6.5 gpf	670240553187	260.63
Aquaflush®Plus Exposed Flush Valve for Clinic and Service Sinks				
Z6017PL	Standard 24" Rough In	6.5 gpf	670240564343	210.44
Z6017PL-H	w/ Front Handle	6.5 gpf	670240632288	227.64
Z6017PL-H-O10	w/ Front Handle and 1" Offset	6.5 gpf	670240649378	261.92
Z6017PL-H-O15	w/ Front Handle and 1-1/2" Offset	6.5 gpf	670240664692	261.92
Z6017PL-H-O20	w/ Front Handle and 2" Offset	6.5 gpf	670240177215	261.92



Z6017AV

EXPOSED SENSOR FLUSH VALVES

EcoVantage® ZTR Exposed Sensor Battery Piston Flush Valves

PRODUCT NO.	DESCRIPTION	FLOW RATE	UPC	LIST PRICE
EcoVantage® ZTR Exposed Sensor Flush Valve with 10 Year Long Life Batteries for 1-1/2" Top Spud Water Closet				
ZTR6200-ONE-LL	Standard 11 1/2" Rough-in	1.1 gpf	670240953918	744.83
ZTR6200EV-LL	Standard 11 1/2" Rough-in	1.28 gpf	670240816756	744.83
ZTR6200-WS1-LL	Standard 11 1/2" Rough-in	1.6 gpf	670240816718	744.83
EcoVantage® ZTR Exposed Sensor Flush Valve for 1-1/2" Top Spud Water Closet				
ZTR6200-ONE	Standard 11 1/2" Rough-in	1.1 gpf	-	690.54
ZTR6200EV	Standard 11 1/2" Rough-in	1.28 gpf	670240700420	690.54
ZTR6200EV-1	16" Rough-In	1.28 gpf	670240808188	695.58
ZTR6200-WS1	Standard 11 1/2" Rough-in	1.6 gpf	670240796577	690.54
ZTR6200-1-WS1	16" Rough-In	1.6 gpf	-	695.47
EcoVantage® ZTR Exposed Sensor Flush Valve with 10 Year Long Life Batteries for 3/4" Top Spud Urinal				
ZTR6203-ULF-LL	Standard 11 1/2" Rough-in	0.125 gpf	670240819900	744.83
ZTR6203-QRT-LL	Standard 11 1/2" Rough-in	0.25 gpf	670240946514	744.83
ZTR6203-EWS-LL	Standard 11 1/2" Rough-in	0.5 gpf	670240816572	744.83
ZTR6203-WS1-LL	Standard 11 1/2" Rough-in	1.0 gpf	670240816565	744.83
EcoVantage® ZTR Exposed Sensor Flush Valve for 3/4" Top Spud Urinal				
ZTR6203-ULF	Standard 11 1/2" Rough-in	0.125 gpf	670240848696	690.54
ZTR6203-QRT	Standard 11 1/2" Rough-in	0.25 gpf	670240959873	690.54
ZTR6203-EWS	Standard 11 1/2" Rough-in	0.5 gpf	670240806931	690.54
ZTR6203-WS1	Standard 11 1/2" Rough-in	1.0 gpf	670240800205	690.54

Aquasense® E-Z Flush® AquaVantage® AV Exposed Sensor Battery Diaphragm Flush Valves

Note: Suffix -HMK is High Mount Adaptor Kit for high rough-in.

PRODUCT NO.	DESCRIPTION	FLOW RATE	UPC	LIST PRICE
AquaVantage® AV ZER Exposed Battery Operated Sensor Flush Valve with E-Z Flush® Chrome-Plated Metal Cover for 1-1/2" Top Spud Water Closet				
ZER6000AV-ONE-CPM	Standard 11 1/2" Rough-in	1.1 gpf	-	669.91
ZER6000AV-HET-CPM	Standard 11 1/2" Rough-in	1.28 gpf	-	669.91
ZER6000AV-1-HET-CPM	16" Rough-In	1.28 gpf	-	675.83
ZER6000AV-2-HET-CPM w/HMK	24" Rough-In	1.28 gpf	-	684.22
ZER6000AV-3-HET-CPM w/HMK	27" Rough-In	1.28 gpf	-	687.79
ZER6000AV-WS1-CPM	Standard 11 1/2" Rough-in	1.6 gpf	-	669.91
ZER6000AV-1-WS1-CPM	16" Rough-In	1.6 gpf	-	675.83
ZER6000AV-2-WS1-CPM w/HMK	24" Rough-In	1.6 gpf	-	684.22
ZER6000AV-3-WS1-CPM w/HMK	27" Rough-In	1.6 gpf	-	687.79
ZER6000AV-WS1-BWN-CPM w/HMK	Standard 26 1/2" Rough in	1.6 gpf	-	1,027.46



ZTR6200EV



ZTR6203-WS1



ZER6000AV

Aquasense® E-Z Flush® AquaVantage® AV Exposed Sensor Battery Diaphragm Flush Valves

Note: Suffix -HMK is High Mount Adaptor Kit for high rough-in.

PRODUCT NO.	DESCRIPTION	FLOW RATE	UPC	LIST PRICE
AquaVantage® AV ZER Exposed Battery Operated Sensor Flush Valve Less Stop and Flush Connection with E-Z Flush® Chrome-Plated Metal Cover				
ZER6000AV-HET-CPM-X		1.28 gpf	670240778252	566.97
ZER6000AV-WS1-CPM-X		1.6 gpf	670240542181	566.97
AquaVantage® AV ZER Exposed Battery Operated Sensor Flush Valve with E-Z Flush® Chrome-Plated High Impact-Resistant Polycarbonate Cover for 1-1/2" Top Spud Water Closet				
ZER6000AV-HET-CP	Standard 11 1/2" Rough-in	1.28 gpf	-	626.03
ZER6000AV-1-HET-CP	16" Rough-In	1.28 gpf	-	631.95
ZER6000AV-2-HET-CP w/HMK	24" Rough-In	1.28 gpf	-	640.35
ZER6000AV-3-HET-CP w/HMK	27" Rough-In	1.28 gpf	-	643.91
ZER6000AV-WS1-CP	Standard 11 1/2" Rough-in	1.6 gpf	-	626.03
ZER6000AV-1-WS1-CP	16" Rough-In	1.6 gpf	-	631.95
ZER6000AV-2-WS1-CP w/HMK	24" Rough-In	1.6 gpf	-	640.35
ZER6000AV-3-WS1-CP w/HMK	27" Rough-In	1.6 gpf	-	643.91
ZER6000AV-WS1-BWN-CP w/HMK	Standard 26 1/2" Rough in	1.6 gpf	-	1,001.14
AquaVantage® AV ZER Exposed Battery Operated Sensor Flush Valve Less Stop and Flush Connection with E-Z Flush® Chrome-Plated High Impact-Resistant Polycarbonate Cover				
ZER6000AV-HET-CP-X		1.28 gpf	-	532.79
ZER6000AV-WS1-CP-X		1.6 gpf	670240549296	532.79
AquaVantage® AV ZER Exposed Battery Operated Sensor Flush Valve with E-Z Flush® Chrome-Plated Metal Cover for 1-1/4" Top Spud Urinal				
ZER6001AV-WS1-CPM	Standard 11 1/2" Rough-in	1.6 gpf	-	669.91
AquaVantage® AV ZER Exposed Battery Operated Sensor Flush Valve with E-Z Flush® Chrome-Plated Metal Cover for 3/4" Top Spud Urinal				
ZER6003AV-ULF-CPM	Standard 11 1/2" Rough-in	0.125 gpf	-	669.91
ZER6003AV-EWS-CPM	Standard 11 1/2" Rough-in	0.5 gpf	-	669.91
ZER6001AV-WS1-CPM	Standard 11 1/2" Rough-in	1.6 gpf	-	669.91
ZER6003AV-WS1-CPM	Standard 11 1/2" Rough-in	1.6 gpf	-	669.91
AquaVantage® AV ZER Exposed Battery Operated Sensor Flush Valve Less Stop and Flush Connection with E-Z Flush® Chrome-Plated Metal Cover				
ZER6001AV-WS1-CPM-X		1.0 gpf	-	566.97
AquaVantage® AV ZER Exposed Battery Operated Sensor Flush Valve Less Stop and Flush Connection with E-Z Flush® Chrome-Plated Metal Cover				
ZER6003AV-ULF-CPM-X		0.125 gpf	670240388185	566.97
ZER6003AV-EWS-CPM-X		0.5 gpf	670240388178	566.97
ZER6003AV-WS1-CPM-X		1.0 gpf	670240532922	566.97
AquaVantage® AV ZER Exposed Battery Operated Sensor Flush Valve with E-Z Flush® Chrome-Plated High Impact-Resistant Polycarbonate Cover for 1-1/4" Top Spud Urinal				
ZER6001AV-WS1-CP	Standard 11 1/2" Rough-in	1.0 gpf	-	626.03
AquaVantage® AV ZER Exposed Battery Operated Sensor Flush Valve with E-Z Flush® Chrome-Plated High Impact-Resistant Polycarbonate Cover for 3/4" Top Spud Urinal				
ZER6003AV-ULF-CP	Standard 11 1/2" Rough-in	0.125 gpf	-	626.03
ZER6003AV-EWS-CP	Standard 11 1/2" Rough-in	0.5 gpf	-	626.03
ZER6003AV-WS1-CP	Standard 11 1/2" Rough-in	1.0 gpf	-	626.03
AquaVantage® AV ZER Exposed Battery Operated Sensor Flush Valve Less Stop and Flush Connection with E-Z Flush® Chrome-Plated High Impact-Resistant Polycarbonate Cover				
ZER6003AV-ULF-CP-X		0.125 gpf	-	532.79
ZER6003AV-EWS-CP-X		0.5 gpf	-	532.79
ZER6003AV-WS1-CP-X		1.0 gpf	670240549289	532.79
OPTIONS	DESCRIPTION			ADD
P6000-J10	Tailpiece Adapter for Ground Joint Stop Connection		670240413542	28.47
-CCP	Complete Chrome-Plated Plastic		-	8.78

FLUSH VALVES

FAUCETS

TEMP-GARD®

TUBULAR BRASS

FIXTURES

AQUAPARTS® REPAIR PARTS AND ASSEMBLIES

Aquasense® E-Z Flush® Aquaflush® Plus PL Exposed Sensor Battery Diaphragm Flush Valves

PRODUCT NO.	DESCRIPTION	FLOW RATE	UPC	LIST PRICE
Aquaflush® Plus PL ZER Exposed Battery Operated Sensor with E-Z Flush® Chrome-Plated Metal Cover for 1-1/2" Top Spud Water Closet				
ZER6000PL-HET-CPM	Standard 11 1/2" Rough-in	1.28 gpf	670240385405	633.66
ZER6000PL-WS1-CPM	Standard 11 1/2" Rough-in	1.6 gpf	670240659322	633.66
Aquaflush® Plus PL ZER Exposed Battery Operated Sensor with E-Z Flush® Chrome-Plated High-Impact Polycarbonate Cover for 1-1/2" Top Spud Water Closet				
ZER6000PL-HET-CP	Standard 11 1/2" Rough-in	1.28 gpf	670240462366	599.60
ZER6000PL-WS1-CP	Standard 11 1/2" Rough-in	1.6 gpf	670240393073	599.60
Aquaflush® ZER Exposed Battery Operated Sensor with E-Z Flush® Chrome-Plated Metal Cover for 1-1/2" Top Spud Water Closet				
ZER6000-WS1-CPM-YB-YC	Standard 11 1/2" Rough-in	1.6 gpf	-	594.04
Aquaflush® ZER Exposed Battery Operated Sensor with E-Z Flush® Chrome-Plated High-Impact Polycarbonate Cover for 1-1/2" Top Spud Water Closet				
ZER6000-WS1-CP-YB-YC	Standard 11 1/2" Rough-in	1.6 gpf	670240394377	574.26
Aquaflush® Plus PL ZER Exposed Battery Operated Sensor with E-Z Flush® Chrome-Plated Metal Cover for 3/4" Top Spud Urinal				
ZER6003PL-WS1-CPM	Standard 11 1/2" Rough-in	0.125 gpf	670240658585	633.66
ZER6003PL-EWS-CPM	Standard 11 1/2" Rough-in	0.5 gpf	670240245259	633.66
ZER6003PL-ULF-CPM	Standard 11 1/2" Rough-in	1.0 gpf	670240460829	633.66
Aquaflush® Plus PL ZER Exposed Battery Operated Sensor with E-Z Flush® Chrome-Plated High-Impact Polycarbonate Cover for 1-1/4" Top Spud Urinal				
ZER6001PL-WS1-CP	Standard 11 1/2" Rough-in	1.0 gpf	670240262218	599.60
Aquaflush® Plus PL ZER Exposed Battery Operated Sensor with E-Z Flush® Chrome-Plated High-Impact Polycarbonate Cover for 3/4" Top Spud Urinal				
ZER6003PL-ULF-CP	Standard 11 1/2" Rough-in	0.125 gpf	670240480018	599.60
ZER6003PL-EWS-CP	Standard 11 1/2" Rough-in	0.5 gpf	670240380684	599.60
ZER6003PL-WS1-CP	Standard 11 1/2" Rough-in	1.0 gpf	670240393080	599.60

Aquasense® E-Z Flush® Aquaflush® Exposed Sensor Battery Diaphragm Flush Valves

PRODUCT NO.	DESCRIPTION	FLOW RATE	UPC	LIST PRICE
Aquaflush® ZER Exposed Battery Operated Sensor with E-Z Flush® Chrome-Plated Metal Cover for 3/4" Top Spud Urinal				
ZER6003-EWS-CPM-YB-YC	Standard 11 1/2" Rough-in	0.5 gpf	-	594.04
ZER6003-WS1-CPM-YB-YC	Standard 11 1/2" Rough-in	1.0 gpf	-	594.04
Aquaflush® ZER Exposed Battery Operated Sensor with E-Z Flush® Chrome-Plated High-Impact Polycarbonate Cover for 1-1/4" Top Spud Urinal				
ZER6001-WS1-CP-YB-YC	Standard 11 1/2" Rough-in	1.0 gpf	670240173330	574.26
Standard 11 1/2" Rough-in				
ZER6003-EWS-CP-YB-YC	Standard 11 1/2" Rough-in	0.5 gpf	-	8.57
ZER6003-WS1-CP-YB-YC	Standard 11 1/2" Rough-in	1.0 gpf	670240394407	574.26



ZER600_PL-HET-CPM



ZER6000



ZER600_

Metroflush® Aquasense® E-Z Flush® ZER Exposed Sensor Battery Piston Flush Valves

PRODUCT NO.	DESCRIPTION	FLOW RATE	UPC	LIST PRICE
Metroflush® ZER Exposed Battery Operated Sensor with E-Z Flush® Chrome-Plated Metal Cover for 1-1/2" Top Spud Water Closet				
ZER6200-HET-CPM-YB-YC	Standard 1 1/2" Rough-in	1.28 gpf	-	670.20
ZER6200-WSI-CPM-YB-YC	Standard 1 1/2" Rough-in	1.6 gpf	-	671.24
Metroflush® ZER Exposed Battery Operated Sensor with E-Z Flush® Chrome-Plated High-Impact Polycarbonate Cover for 1-1/2" Top Spud Closet				
ZER6200-HET-CP-YB-YC	Standard 1 1/2" Rough-in	1.28 gpf	670240846135	642.54
ZER6200-WSI-CP-YB-YC	Standard 1 1/2" Rough-in	1.6 gpf	670240258747	642.54
Metroflush® ZER Exposed Battery Operated Sensor with E-Z Flush® Chrome-Plated Metal Cover for 3/4" Top Spud Urinal				
ZER6203-EWS-CPM-YB-YC	Standard 1 1/2" Rough-in	0.5 gpf	-	673.32
ZER6203-WSI-CPM-YB-YC	Standard 1 1/2" Rough-in	1.0 gpf	-	672.28
Metroflush® ZER Exposed Battery Operated Sensor with E-Z Flush® Chrome-Plated High-Impact Polycarbonate Cover for 3/4" Top Spud Urinal				
ZER6203-EWS-CP-YB-YC	Standard 1 1/2" Rough-in	0.5 gpf	-	627.46
ZER6203-WSI-CP-YB-YC	Standard 1 1/2" Rough-in	1.0 gpf	670240264823	642.54
OPTIONS	DESCRIPTION			ADD
-CCP	Complete Chrome-Plated Plastic			8.78

Aquasense® E-Z Flush® Retrofit Kits

PRODUCT NO.	DESCRIPTION	FLOW RATE	UPC	LIST PRICE
E-Z Flush® Retrofit Kit with Chrome-Plated Metal Cover				
ZERK-CPM	Motorized Actuation for Zurn and Sloan Flush Valve	-	670240569898	394.25
ZERK-CPM-LY	Motorized Actuation for Zurn and Sloan Flush Valve	-	670240578425	427.98
E-Z Flush® Retrofit Kit with Chrome-Plated Metal Cover Complete Chrome-Plated Plastic Cover Mortorized Actuation for Zurn and Sloan Flush Valves				
ZERK-CCP	Motorized Actuation for Zurn and Sloan Flush Valve	-	670240711037	379.44
E-Z Flush® Retrofit Kit with Chrome-Plated Metal Cover Complete Chrome-Plated High-Impact Polycarbonate Cover				
ZERK-CP	Motorized Actuation for Zurn and Sloan Flush Valve	-	670240569881	370.67
E-Z Flush® -HMK High Mount Adapter				
ZERK-HMK	Adapter kit allows for the downward angle of the E-Z Flush® Kit in high rough-in installations.	-	670240458284	54.09
OPTIONS	DESCRIPTION			ADD
-CCP	Complete Chrome-Plated Plastic			8.78



ZER6200-HET-CPM-YB-YC



ZERK-CPM

AquaVantage® AV ZR RetroFlush® Sensor Battery Flush Valve

PRODUCT NO.	DESCRIPTION	FLOW RATE	UPC	LIST PRICE
AquaVantage® AV ZR RetroFlush® Sensor Battery Flush Valve for 1-1/2" Top Spud Water Closet				
ZR6000AV-WS1	Standard 11 1/2" Rough-in	1.6 gpf	670240528796	669.91
AquaVantage® AV ZR RetroFlush® Sensor Battery Flush Valve with Bedpan Washer Assembly for 1-1/2" Top Spud Water Closet				
ZR6000AV-WS1-BWN	26-1/2" Rough-In	1.6 gpf	-	1,027.46
AquaVantage® AV ZR RetroFlush® Sensor Battery Flush Valve with Dual Flush for 1-1/2" Top Spud Water Closet				
Featuring sensor technology that provides timed activation for reduced flush and full flush dependent upon the length of time the user is in view.				
ZR6000AV-WS1-DF	Standard 11 1/2" Rough-in	1.1/1.6 gpf	670240364370	713.58
ZR6000AV-2-WS1-DF	24" Rough-In	1.1/1.6 gpf	670240388642	728.76
ZR6000AV-WS1-DF-HW	Hardwired Dual Operated Flush Diaphragm Complete Valve	1.1/1.6 gpf	670240706040	737.16
AquaVantage® AV ZR RetroFlush® Sensor Battery Flush Valve for 1-1/4" Top Spud Urinal				
ZR6001AV-WS1	Standard 11 1/2" Rough-in	1.0 gpf	670240530843	669.91
AquaVantage® AV ZR RetroFlush® Sensor Battery Flush Valve for 3/4" Top Spud Urinal				
ZR6003AV-WS1	Standard 11 1/2" Rough-in	1.0 gpf	670240528802	669.91

AquaVantage® AV ZR RetroFlush® Flush Valve Body Less Stop and Flush Connection

PRODUCT NO.	DESCRIPTION	FLOW RATE	UPC	LIST PRICE
AquaVantage® AV ZR RetroFlush® Flush Valve Body Less Stop and Flush Connection for Exposed 1-1/2" Top Spud Water Closet				
ZR6000AV-WS1-X		1.6 gpf	670240529427	566.97
AquaVantage® AV ZR RetroFlush® Flush Valve Body Less Stop and Flush Connection for Exposed 1-1/4" Top Spud Urinals				
ZR6001AV-WS1-X		1.0 gpf	670240530386	566.97
AquaVantage® AV ZR RetroFlush® Flush Valve Body Less Stop and Flush Connection for Exposed 3/4" Top Spud Urinals				
ZR6003AV-WS1-X		1.0 gpf	670240531345	566.97

ZR RetroFlush® - Retrofit Kit Only

PRODUCT NO.	DESCRIPTION	FLOW RATE	UPC	LIST PRICE
ZR RetroFlush® with Chrome-Plated Metal Cover for 1.6 Water Closets - Retrofit Kit Only				
ZRK-C-1.6	Battery Operated Actuator Retrofits Diaphragm Flush Valve for Zurn and Sloan 1.6 Flush Valve	1.6 gpf	670240411869	512.50
ZR RetroFlush® with Chrome-Plated Metal Cover for 1.0 Urinals - Retrofit Kit Only				
ZRK-U-1.0	Battery Operated Actuator Retrofits Diaphragm Flush Valve for Zurn and Sloan 1.0 Urinals	1.0 gpf	670240577558	512.50
ZR RetroFlush® with Dual Flush - Retrofit Kit Only				
ZRK-C-1.6-DF	Battery Operated Dual Flush Diaphragm Valve Retrofits to Zurn and Sloan 1.6 Flush Valve	1.1/1.6 gpf	670240375659	561.21

Options for Sensor flush Valve

PRODUCT NO.	DESCRIPTION	UPC	LIST PRICE
P6000-HW6	Hardwire 6 VDC Power Converter (Powers 8 ZEMS Valve)	670240533608	72.24
P6900-ACA-BA	Plug-in VDC Power Converter (Powers 8 ZEMS Valve)	670240443105	99.24
P6000-MJ	Zurn Mini Junction Box with Terminal Strips	670240419803	250.82
-MOB	Manual override button Exposed	-	34.56
-HYMOB	Hydraulic Manual override button for concealed valves	-	50.00



ZR6000AV



ZR6000AV-WS1-DF



ZR600_AV-WS1-X



ZRK-C-1.6

EXPOSED SENSOR HARDWIRED FLUSH VALVES

EcoVantage® ZTR Exposed Hardwired Sensor Piston Flush Valves

PRODUCT NO.	DESCRIPTION	FLOW RATE	UPC	LIST PRICE
EcoVantage® ZTR Exposed Hardwired Sensor Piston Flush Valve for 1-1/2" Top Spud Water Closet				
ZTR6200-ONE-HW	Standard 11 1/2" Rough-in	1.1 gpf	889934002072	744.83
ZTR6200EV-HW	Standard 11 1/2" Rough-in	1.28 gpf	670240968059	744.83
ZTR6200-WS1-HW	Standard 11 1/2" Rough-in	1.6 gpf	889934001761	744.83
EcoVantage® ZTR Exposed Hardwired Sensor Piston Flush Valve for 3/4" Top Spud Urinal				
ZTR6203-ULF-HW	Standard 11 1/2" Rough-in	0.125 gpf	670240967793	744.83
ZTR6203-QRT-HW	Standard 11 1/2" Rough-in	0.25 gpf	670240008854	744.83
ZTR6203-EWS-HW	Standard 11 1/2" Rough-in	0.5 gpf	670240968080	744.83
ZTR6203-WS1-HW	Standard 11 1/2" Rough-in	1.0 gpf	670240968073	744.83

AquaVantage® AV ZEMS Exposed Hardwired Sensor Diaphragm Flush Valves

PRODUCT NO.	DESCRIPTION	FLOW RATE	UPC	LIST PRICE
AquaVantage® AV ZEMS Exposed Hardwired Sensor Diaphragm Flush Valve for 1-1/2" Top Spud Water Closet				
ZEMS6000AV-ONE-IS	Standard 11 1/2" Rough-in	1.1 gpf	-	714.45
ZEMS6000AV-HET-IS	Standard 11 1/2" Rough-in	1.28 gpf	670240364615	714.45
ZEMS6000AV-WS1-IS	Standard 11 1/2" Rough-in	1.6 gpf	670240600799	714.45
AquaVantage® AV ZEMS Exposed Hardwired In Wall Sensor Diaphragm Flush Valve for 1-1/2" Top Spud Water Closet				
ZEMS6000AV-HET	Standard 11 1/2" Rough-in	1.28 gpf	670240375598	714.45
ZEMS6000AV-WS1	Standard 11 1/2" Rough-in	1.6 gpf	670240528819	714.45
AquaVantage® AV ZEMS Exposed Hardwired Intergal Sensor Diaphragm Flush Valve for 1-1/4" Top Spud Urinal				
ZEMS6001AV-WS1-IS	Standard 11 1/2" Rough-in	1.0 gpf	670240601680	714.45
AquaVantage® AV ZEMS Exposed Hardwired Intergal Sensor Diaphragm Flush Valve for 3/4" Top Spud Urinal				
ZEMS6003AV-ULF-IS	Standard 11 1/2" Rough-in	.125 gpf	670240383142	714.45
ZEMS6003AV-EWS-IS	Standard 11 1/2" Rough-in	.5 gpf	670240471597	714.45
ZEMS6003AV-WS1-IS	Standard 11 1/2" Rough-in	1.0 gpf	670240600836	714.45
AquaVantage® AV ZEMS Exposed Hardwired In Wall Sensor Diaphragm Flush Valve for 3/4" Top Spud Urinal				
ZEMS6003AV-ULF	Standard 11 1/2" Rough-in	.125 gpf	670240385245	714.45
ZEMS6003AV-EWS	Standard 11 1/2" Rough-in	.5 gpf	670240634244	714.45
ZEMS6003AV-WS1	Standard 11 1/2" Rough-in	1.0 gpf	670240528789	714.45



ZTR6200EV



ZTR6203-WS1



ZEMS6000AV-IS



ZEMS6003AV

Aquaflush® Plus PL ZEMS Exposed Hardwired Sensor Diaphragm Flush Valves

PRODUCT NO.	DESCRIPTION	FLOW RATE	UPC	LIST PRICE
Aquaflush® Plus PL ZEMS Exposed Hardwired Intergal Sensor Diaphragm Flush Valve for 1-1/2" Top Spud Water Closet				
ZEMS6000PL-HET-IS	Standard 11 1/2" Rough-in	1.28 gpf	670240389267	670.73
ZEMS6000PL-WS1-IS	Standard 11 1/2" Rough-in	1.6 gpf	670240665590	670.73
Aquaflush® Plus PL ZEMS Exposed Hardwired Intergal Sensor Diaphragm Flush Valve for 1-1/4" Top Spud Urinal				
ZEMS6001PL-WS1-IS	Standard 11 1/2" Rough-in	1.0 gpf	670240394599	670.73
Aquaflush® Plus PL ZEMS Exposed Hardwired Intergal Sensor Diaphragm Flush Valve for 3/4" Top Spud Urinal				
ZEMS6003PL-EWS-IS	Standard 11 1/2" Rough-in	.5 gpf	670240377691	670.73
ZEMS6003PL-WS1-IS	Standard 11 1/2" Rough-in	1.0 gpf	670240665583	670.73
ZEMS6003PL-ULF-IS	Standard 11 1/2" Rough-in	.125 gpf	6702404445987	670.73
Aquaflush® Plus PL ZEMS Exposed Hardwired In Wall Sensor Diaphragm Flush Valve for 1-1/2" Top Spud Water Closet				
ZEMS6000PL-HET	Standard 11 1/2" Rough-in	1.28 gpf	670240386174	670.73
ZEMS6000PL-WS1	Standard 11 1/2" Rough-in	1.6 gpf	670240642737	670.73
Aquaflush® Plus PL ZEMS Exposed Hardwired In Wall Sensor Diaphragm Flush Valve for 3/4" Top Spud Urinal				
ZEMS6003PL-EWS	Standard 11 1/2" Rough-in	0.5 gpf	670240406575	670.73
ZEMS6003PL-WS1	Standard 11 1/2" Rough-in	1.0 gpf	670240395237	670.73
ZEMS6003PL-ULF	Standard 11 1/2" Rough-in	0.125 gpf	670240687134	670.73

Aquaflush® ZEMS Exposed Hardwired Sensor Diaphragm Flush Valves

PRODUCT NO.	DESCRIPTION	FLOW RATE	UPC	LIST PRICE
Aquaflush® ZEMS Exposed Hardwired Intergal Sensor Diaphragm Flush Valve for 1-1/2" Top Spud Water Closet				
ZEMS6000-WS1-IS-YB-YC	Standard 11 1/2" Rough-in	1.6 gpf	670240630291	630.67
Aquaflush® ZEMS Exposed Hardwired Intergal Sensor Diaphragm Flush Valve for 1-1/4" Top Spud Urinal				
ZEMS6001-WS1-IS-YB-YC	Standard 11 1/2" Rough-in	1.0 gpf	670240791343	630.67
Aquaflush® ZEMS Exposed Hardwired Intergal Sensor Diaphragm Flush Valve for 3/4" Top Spud Urinal				
ZEMS6003-EWS-IS-YB-YC	Standard 11 1/2" Rough-in	0.5 gpf	670240490857	630.67
ZEMS6003-WS1-IS-YB-YC	Standard 11 1/2" Rough-in	1.0 gpf	670240630307	630.67
Aquaflush® ZEMS Exposed Hardwired In Wall Sensor Diaphragm Flush Valve for 1-1/2" Top Spud Water Closet				
ZEMS6000-WS1-YB-YC	Standard 11 1/2" Rough-in	1.6 gpf	670240400412	645.83
Aquaflush® ZEMS Exposed Hardwired In Wall Sensor Diaphragm Flush Valve for 1-1/4" Top Spud Urinal				
ZEMS6001-WS1-YB-YC	Standard 11 1/2" Rough-in	1.0 gpf	670240251182	645.83
Aquaflush® ZEMS Exposed Hardwired In Wall Sensor Diaphragm Flush Valve for 3/4" Top Spud Urinal				
ZEMS6003-WS1-YB-YC	Standard 11 1/2" Rough-in	1.0 gpf	670240400429	645.83
ZEMS6003-EWS-YB-YC	Standard 11 1/2" Rough-in	0.5 gpf	670240344310	645.83



Metroflush® ZEMS Exposed Hardwired Sensor Piston Flush Valves

PRODUCT NO.	DESCRIPTION	FLOW RATE	UPC	LIST PRICE
Metroflush® ZEMS Exposed Hardwired Intergal Sensor Piston Flush Valve for 1-1/2" Top Spud Water Closet				
ZEMS6200-HET-IS-YB-YC	Standard 11 1/2" Rough-in	1.28 gpf	670240485853	750.17
ZEMS6200-WS1-IS-YB-YC	Standard 11 1/2" Rough-in	1.6 gpf	670240495760	750.17
Metroflush® ZEMS Exposed Hardwired Intergal Sensor Piston Flush Valve for 3/4" Top Spud Urinal				
ZEMS6203-WS1-IS-YB-YC	Standard 11 1/2" Rough-in	1.0 gpf	670240491397	750.17
ZEMS6203-EWS-IS-YB-YC	Standard 11 1/2" Rough-in	0.5 gpf	670240696983	750.17
Metroflush® ZEMS Exposed Hardwired In Wall Sensor Piston Flush Valve for 1-1/2" Top Spud Water Closet				
ZEMS6200-HET-YB-YC	Standard 11 1/2" Rough-in	1.28 gpf	670240692800	768.20
ZEMS6200-WS1-YB-YC	Standard 11 1/2" Rough-in	1.6 gpf	670240687271	768.20
Metroflush® ZEMS Exposed Hardwired In Wall Sensor Piston Flush Valve for 3/4" Top Spud Urinal				
ZEMS6203-WS1-YB-YC	Standard 11 1/2" Rough-in	1.0 gpf	670240700482	768.20
ZEMS6203-EWS-YB-YC	Standard 11 1/2" Rough-in	0.5 gpf	670240861459	768.20

Hardwired Sensor Flush Valves Options

OPTIONS	DESCRIPTION	ADD
P6000-HW6	Hardwire VDC Power Converter (Powers 8 ZEMS Valve, Order appropriate quantity.)	670240533608 72.24
P6900-ACA-BA	Plug-in VDC Power Converter (Powers 8 ZEMS Valve)	670240443105 99.24
P6000-MJ	Zurn Mini Junction Box with Terminal Strips	670240419803 250.82
-MOB	Manual override button	- 34.56



ZEMS6200-WS1-IS-YB-YC



ZEMS6200-WS1-YB-YC

CONCEALED FLUSH VALVES

Ordering Instructions for Concealed and Prison Flush Valve

When ordering concealed flush valve, 'L' Dim. must be specified.

- 'L' Dim. equals 2-3/4" plus thickness of wall. Note: for combination lavatory/closet fixtures, add one more inch to wall thickness.
- Penal flush Valve are furnished with -L small vandal-resistant push button as standard.
- for hydraulic application, specify prefix ZH and refer to the Hydraulic section of this price sheet.
- If flush valve are to be used with access panels, order must be noted using Suffix AP after model number. See Z6199 Access Panels for size and price.
- For concealed flush valve, specify -J (handle), -L (small push button), -L3 (3" large push button).

AquaVantage® AV ZEMS Concealed Hardwired In Wall Sensor Diaphragm Flush Valves

PRODUCT NO.	DESCRIPTION	FLOW RATE	UPC	LIST PRICE
AquaVantage® AV ZEMS Concealed Hardwired In Wall Sensor Diaphragm Flush Valve for Exposed 1-1/2" Back Spud Water Closet				
ZEMS6140AV-HET	14 1/2" Rough in for Exposed Back Spud Connection	1.28 gpf	-	725.14
ZEMS6140AV-WS1	14 1/2" Rough in for Exposed Back Spud Connection	1.6 gpf	-	725.14
AquaVantage® AV ZEMS Concealed Hardwired In Wall Sensor Diaphragm Flush Valve for 1-1/2" Back Spud Water Closet				
ZEMS6152AV-ONE	14 1/2" Rough In for Back Spud Connection	1.1 gpf	-	668.32
ZEMS6152AV-HET	14 1/2" Rough In for Back Spud Connection	1.28 gpf	-	668.32
ZEMS6152AV-WS1	14 1/2" Rough In for Back Spud Connection	1.6 gpf	-	668.32
AquaVantage® AV ZEMS Concealed Hardwired In Wall Sensor Diaphragm Flush Valve for 1-1/2" Top Spud Water Closet				
ZEMS6153AV-HET	14" Rough in for Exposed Top Spud Connection	1.28 gpf	-	773.25
ZEMS6153AV-WS1	14" Rough in for Exposed Top Spud Connection	1.6 gpf	-	773.25
AquaVantage® AV ZER Concealed Hardwired In Wall Sensor Diaphragm Flush Valve for 1-1/4" Back Spud Urinal				
ZEMS6190AV-WS1	14 1/2" Rough in for Back Spud Connection	1.0 gpf	-	666.62
AquaVantage® AV ZEMS Concealed Hardwired In Wall Sensor Diaphragm Flush Valve for 3/4" Back Spud Urinal				
ZEMS6195AV-ULF	13 1/2" Rough in for Back Spud Connection	0.125 gpf	-	666.62
ZEMS6195AV-EWS	13 1/2" Rough in for Back Spud Connection	0.5 gpf	-	666.62
ZEMS6195AV-WS1	13 1/2" Rough in for Back Spud Connection	1.0 gpf	-	666.62
AquaVantage® AV ZEMS Concealed Hardwired In Wall Sensor Diaphragm Flush Valve for 3/4" Top Spud Urinal				
ZEMS6197AV-ULF	18 1/2" Rough in for Exposed Top Spud Connection	0.125 gpf	670240337329	798.86
ZEMS6197AV-EWS	18 1/2" Rough in for Exposed Top Spud Connection	0.5 gpf	670240471122	798.86
ZEMS6197AV-WS1	18 1/2" Rough in for Exposed Top Spud Connection	1.0 gpf	670240629745	798.86



ZEMS6140AV



ZEMS6190AV

AquaVantage® AV ZER Concealed Battery In Wall Sensor Diaphragm Flush Valves

PRODUCT NO.	DESCRIPTION	FLOW RATE	UPC	LIST PRICE
AquaVantage® AV ZER Concealed Battery In Wall Sensor Diaphragm Flush Valve for Exposed 1-1/2" Back Spud Water Closet				
ZER6140AV-HET	14 1/2" Rough In for Exposed Back Spud Connection	1.28 gpf	-	670.47
AquaVantage® AV ZER Concealed Battery In Wall Sensor Diaphragm Flush Valve for 1-1/2" Back Spud Water Closet				
ZER6152AV-ONE	14 1/2" Rough In for Back Spud Connection	1.1 gpf	-	617.97
ZER6152AV-HET	14 1/2" Rough In for Back Spud Connection	1.28 gpf	-	617.97
ZER6152AV-WS1	14 1/2" Rough In for Back Spud Connection	1.6 gpf	-	617.97
AquaVantage® AV ZER Concealed Battery In Wall Sensor Diaphragm Flush Valve for 1-1/2" Top Spud Water Closet				
ZER6153AV-WS1	14" Rough In for Exposed Top Spud Connection	1.6 gpf	-	714.94
AquaVantage® AV ZER Concealed Battery In Wall Sensor Diaphragm Flush Valve for 1-1/4" Back Spud Urinal				
ZER6190AV-WS1	13" Rough in for Back Spud Connection	1.0 gpf	-	626.03
AquaVantage® AV ZER Concealed Battery In Wall Sensor Diaphragm Flush Valve for 3/4" Back Spud Urinal				
ZER6195AV-ULF	13" Rough in for Back Spud Connection	0.125 gpf	-	626.03
ZER6195AV-EWS	13" Rough in for Back Spud Connection	0.5 gpf	-	626.03
ZER6195AV-WS1	13" Rough in for Back Spud Connection	1.0 gpf	-	626.03
AquaVantage® AV ZER Concealed Battery In Wall Sensor Diaphragm Flush Valve for 3/4" Top Spud Urinal				
ZER6197AV-ULF	18.5" Rough in for Exposed Top Spud Connection	0.125 gpf	889934084016	715.22
ZER6197AV-EWS	18.5" Rough in for Exposed Top Spud Connection	0.5 gpf	-	626.03
ZER6197AV-WS1	18.5" Rough in for Exposed Top Spud Connection	1.0 gpf	-	626.03
ZER Conversion Kits				
ZERK-CP-CONC		-	670240570597	573.93



ZER6152AV

AquaVantage® AV Concealed Diaphragm Flush Valves

PRODUCT NO.	DESCRIPTION	FLOW RATE	UPC	LIST PRICE
AquaVantage® AV Concealed Flush Valve with Exposed Manual Handle for 10" Offset 1-1/2" Exposed Back Spud Water Closet				
Z6140AV-HET	14 1/2" Rough-In	1.28 gpf	-	315.63
Z6140AV-WS1	14 1/2" Rough-In	1.6 gpf	-	315.63
AquaVantage® AV Concealed Flush Valve with Exposed Manual Handle for 10" Offset 1-1/2" Exposed Top Spud Water Closet				
Z6142AV-HET	12-1/2" Rough-In	1.28 gpf	-	362.17
Z6142AV-WS1	12-1/2" Rough-In	1.6 gpf	-	362.17
AquaVantage® AV Concealed Flush Valve with Exposed Manual Handle for 10" Offset 1-1/2" Back Spud Water Closet				
Z6143AV-ONE	14" Rough-In	1.1 gpf	-	278.14
Z6143AV-HET	14" Rough-In	1.28 gpf	-	278.14
Z6143AV-HET-L3	14" Rough-In w/ 3" Push Button	1.28 gpf	-	297.42
Z6143AV-WS1	14" Rough-In	1.6 gpf	-	278.14
Z6143AV-WS1-L3	14" Rough-In w/ 3" Push Button	1.6 gpf	-	297.42
Z6144AV-HET	10 1/2" Rough-In	1.28 gpf	-	278.14
Z6144AV-WS1	10 1/2" Rough-In	1.6 gpf	-	278.14
AquaVantage® AV Concealed Flush Valve with Exposed Manual Push Button for Flushing Floor Drains				
Z6150AV-WS1	w/ 1" NPT female outlet	1.6 gpf	-	251.09
AquaVantage® AV Concealed Flush Valve with Exposed Manual Push Button for 1-1/2" Back Spud Water Closet				
Z6152AV-HET	24" Rough In	1.28 gpf	-	260.41
Z6152AV-HET-L3	24" Rough In w/ 3" Push Button	1.28 gpf	-	279.81
Z6152AV-WS1	24" Rough In	1.6 gpf	-	260.41
Z6152AV-WS1-L3	24" Rough In w/ 3" Push Button	1.6 gpf	-	279.81
AquaVantage® AV Concealed Flush Valve with Exposed Manual Push Button for Exposed 1-1/2" Top Spud Water Closet				
Z6153AV-ONE	24" Rough-In	1.1 gpf	-	317.78
Z6153AV-HET	24" Rough-In	1.28 gpf	-	317.78
Z6153AV-WS1	24" Rough-In	1.6 gpf	-	317.78
AquaVantage® AV Concealed Flush Valve with Exposed Manual Push Button for Exposed 1-1/2" Back Spud Water Closet				
Z6154AV-HET	24" Rough-In	1.28 gpf	-	263.42
Z6154AV-WS1	24" Rough-In	1.6 gpf	-	263.42
AquaVantage® AV Concealed Flush Valve with Exposed Manual Handle for Exposed 1-1/2" Top Spud Water Closet				
Z6155AV-HET	29" Rough-In	1.28 gpf	-	279.81
Z6155AV-WS1	29" Rough-In	1.6 gpf	-	279.81
AquaVantage® AV Concealed Flush Valve with Exposed Manual Handle for 1-1/4" Back Spud Urinal				
Z6190AV-WS1	14 1/2" Rough-In	1.0 gpf	-	253.35
Z6190AV-WS1-L3	14 1/2" Rough-In w/ 3" Push Button	1.0 gpf	-	272.63
AquaVantage® AV Concealed Flush Valve with Exposed Manual Handle for 3/4" Back Spud Urinal				
Z6195AV-ULF	13 1/2" Rough In	0.125 gpf	-	265.24
Z6195AV-EWS	13 1/2" Rough In	0.5 gpf	-	265.24
Z6195AV-WS1	13 1/2" Rough In	1.0 gpf	-	265.24
AquaVantage® AV Concealed Flush Valve with Exposed Manual Handle for Exposed 3/4" Top Spud Urinal				
Z6197AV-ULF	18 1/2" Rough in	0.125 gpf	-	420.99
Z6197AV-EWS	18 1/2" Rough in	0.5 gpf	-	420.99
Z6197AV-WS1	18 1/2" Rough in	1.0 gpf	-	420.99



Z6140AV



Z6142AV



Z6143AV



Z6144AV



Z6150AV



Z6152AV

Aquaflush® Concealed Diaphragm Flush Valves

PRODUCT NO.	DESCRIPTION	FLOW RATE	UPC	LIST PRICE
Aquaflush® Concealed Flush Valve with Exposed Manual Handle for 10" Offset 1-1/2" Exposed Back Spud Water Closet				
Z6140-WS1-YB	14 1/2" Rough-In	1.6 gpf	-	262.99
Aquaflush® Concealed Flush Valve with Exposed Manual Handle for 10" Offset 1-1/2" Exposed Top Spud Water Closet				
Z6142-WS1-YB	12-1/2" Rough-In	1.6 gpf	-	262.99
Aquaflush® Concealed Flush Valve with Exposed Manual Handle for 10" Offset 1-1/2" Back Spud Water Closet				
Z6143-WS1-YB	14" Rough-In	1.6 gpf	-	234.07
Z6144-WS1-YB	10 1/2" Rough-In	1.6 gpf	-	234.07
Aquaflush® Concealed Flush Valve with Exposed Manual Push Button for Flushing Floor Drains				
Z6150-WS1-YB	w/ 1" NPT female outlet	1.6 gpf	-	208.78
Aquaflush® Concealed Flush Valve with Exposed Manual Push Button for 1-1/2" Back Spud Water Closet				
Z6152-WS1-YB	24" Rough In	1.6 gpf	-	216.61
Aquaflush® Concealed Flush Valve with Exposed Manual Push Button for Exposed 1-1/2" Top Spud Water Closet				
Z6153-WS1-YB	24" Rough-In	1.6 gpf	-	264.86
Aquaflush® Concealed Flush Valve with Exposed Manual Push Button for Exposed 1-1/2" Back Spud Water Closet				
Z6154-WS1-YB	24" Rough-In	1.6 gpf	-	219.12
Aquaflush® Concealed Flush Valve with Exposed Manual Handle for Exposed 1-1/2" Top Spud Water Closet				
Z6155-WS1-YB	29" Rough-In	1.6 gpf	-	234.22
Aquaflush® Concealed Flush Valve with Exposed Manual Handle for 1-1/4" Back Spud Urinal				
Z6190-WS1-YB	14 1/2" Rough-In	1.0 gpf	-	210.76
Aquaflush® Concealed Flush Valve with Exposed Manual Handle for 3/4" Back Spud Urinal				
Z6195-WS1-YB	13 1/2" Rough In	1.0 gpf	-	220.62
Aquaflush® Concealed Flush Valve with Exposed Manual Handle for Exposed 3/4" Top Spud Urinal				
Z6197-WS1-YB	18 1/2" Rough in	1.0 gpf	-	351.63



Z6154AV



Z6155AV



Z6190AV



Z6195AV



Z6140



Z6190

FLUSH VALVES

FAUCETS

TEMP-GARD®

TUBULAR BRASS

FIXTURES

AQUAPARTS® REPAIR PARTS AND ASSEMBLIES

HYDRAULIC FLUSH VALVES

AquaVantage® AV Exposed ZH Hydraulic Actuation Diaphragm Flush Valves

PRODUCT NO.	DESCRIPTION	FLOW RATE	UPC	LIST PRICE
AquaVantage® AV Exposed ZH Hydraulic Actuation Flush Valve for 1-1/2" Top Spud Water Closet				
ZH6000AV-WS1	Standard 11 1/2" Rough In	1.6 gpf	670240536296	457.41
AquaVantage® AV Exposed ZH Hydraulic Actuation Dual Flush Valve for 1-1/2" Top Spud Water Closet				
ZH6000AV-DF-WS1	Standard 11 1/2" Rough In	1.1/1.6 gpf	-	559.71
AquaVantage® AV Exposed ZH Hydraulic Actuation Flush Valve for 1-1/2" Back Spud Water Closet				
ZH6010AV-WS1	Standard 11 1/2" Rough In	1.6 gpf	670240260467	472.94
AquaVantage® AV Exposed ZH Hydraulic Actuation Flush Valve for 1-1/2" Clinic and Service Sinks				
ZH6017AV-WS1	24" Rough-In	6.5 gpf	-	468.55
AquaVantage® AV Exposed ZH Hydraulic Actuation Flush Valve with Bedpan Diverter Valve for 1-1/2" Top Spud Water Closet				
ZH6000AV-BWN-WS1	26-1/2" Rough-In	1.6 gpf	-	1,036.18
ZH6000AV-BWN1-WS1	34-3/8" Rough-In	1.6 gpf	-	1,036.18
AquaVantage® AV Exposed ZH Hydraulic Actuation Flush Valve with Bedpan Diverter Valve for 1-1/2" Top Spud Water Closet - for Handicap Grab Bar Applications				
ZH6011AV-BWN-WS1	26-1/2" Rough-In	1.6 gpf	-	1,074.15
AquaVantage® AV Exposed ZH Hydraulic Actuation Flush Valve for 1-1/4" Top Spud Urinal				
ZH6001AV-WS1	Standard 11 1/2" Rough In	1.0 gpf	670240405202	457.41
AquaVantage® AV Exposed ZH Hydraulic Actuation Flush Valve for 3/4" Top Spud Urinal				
ZH6003AV-ULF	Standard 11 1/2" Rough In	0.125 gpf	-	457.41
ZH6003AV-EWS	Standard 11 1/2" Rough In	0.5 gpf	-	457.41
ZH6003AV-WS1	Standard 11 1/2" Rough In	1.0 gpf	670240565791	457.41



ZH6000AV

AquaVantage® AV Concealed ZH Hydraulic Actuation Diaphragm Flush Valves

PRODUCT NO.	DESCRIPTION	FLOW RATE	UPC	LIST PRICE
AquaVantage® AV Concealed Hydraulic Flush Valve with Exposed Manual Button for 1-1/2" Exposed Back Spud Water Closet				
ZH6140AV-HET	14 1/2" Rough-In	1.28 gpf	-	336.26
ZH6140AV-WS1	14 1/2" Rough-In	1.6 gpf	-	336.26
AquaVantage® AV Concealed Hydraulic Flush Valve with Exposed Manual Button for 1-1/2" Exposed Top Spud Water Closet				
ZH6142AV-HET	14" Rough in	1.28 gpf	-	375.94
ZH6142AV-WS1	14" Rough in	1.6 gpf	-	375.94
AquaVantage® AV Concealed Hydraulic Flush Valve with Exposed Manual Button for Flushing Floor Drains				
ZH6150AV-HET	w/ 1" NPT Female Outlet	1.28 gpf	-	321.64
ZH6150AV-WS1	w/ 1" NPT Female Outlet	1.6 gpf	670240533455	321.64
AquaVantage® AV Concealed Hydraulic Flush Valve with Exposed Manual Button for 1-1/2" Back Spud Water Closet				
ZH6152AV-HET	14 1/2" Rough-In	1.28 gpf	-	348.36
ZH6152AV-WS1	14 1/2" Rough-In	1.6 gpf	-	348.36
AquaVantage® AV Concealed Hydraulic Actuation Flush Valve with Exposed Manual Button for 1-1/4" Back Spud Urinal				
ZH6190AV-WS1	14 1/2" Rough In	1.0 gpf	-	334.76
AquaVantage® AV Concealed Hydraulic Actuation Flush Valve with Exposed Manual Button for 3/4" Back Spud Urinal				
ZH6195AV-ULF	13 1/2" Rough in	0.125 gpf	-	334.76
ZH6195AV-EWS	13 1/2" Rough in	0.5 gpf	-	334.76
ZH6195AV-WS1	13 1/2" Rough in	1.0 gpf	-	334.76
AquaVantage® AV Concealed Hydraulic Actuation Flush Valve with Exposed Manual Button for Exposed 3/4" Top Spud Urinal				
ZH6197AV-ULF	18 1/2" Rough in	0.125 gpf	-	422.91
ZH6197AV-EWS	18 1/2" Rough in	0.5 gpf	670240958166	422.91
ZH6197AV-WS1	18 1/2" Rough in	1.0 gpf	670240362581	422.91

Aquaflush® Plus PL Exposed ZH Hydraulic Actuation Diaphragm Flush Valves

PRODUCT NO.	DESCRIPTION	FLOW RATE	UPC	LIST PRICE
Aquaflush® Plus PL Exposed ZH Hydraulic Actuation Flush Valve for 1-1/2" Top Spud Water Closets				
ZH6000PL-HET	Standard 11 1/2" Rough In	1.28 gpf	-	451.62
ZH6000PL-WS1	Standard 11 1/2" Rough In	1.6 gpf	670240794214	451.62
Aquaflush® Plus PL Exposed ZH Hydraulic Actuation Flush Valve for Flushing Floor Drains				
ZH6150PL-WS1	w/ 1" NPT Female Outlet	1.6 gpf	670240801912	353.77
Aquaflush® Plus PL Exposed ZH Hydraulic Actuation Flush Valve for 1-1/4" Top Spud Urinals				
ZH6001PL-WS1	Standard 11 1/2" Rough In	1.0 gpf	-	451.62
Aquaflush® Plus PL Exposed ZH Hydraulic Actuation Valve for 3/4" Top Spud Urinals				
ZH6003PL-EWS	Standard 11 1/2" Rough In	0.5 gpf	-	451.62
ZH6003PL-ULF	Standard 11 1/2" Rough In	0.125 gpf	-	451.62
ZH6003PL-WS1	Standard 11 1/2" Rough In	1.0 gpf	-	451.62



ZH6140AV



ZH6000PL-WS1

Aquaflush® Exposed ZH Hydraulic Actuation Diaphragm Flush Valves

PRODUCT NO.	DESCRIPTION	FLOW RATE	UPC	LIST PRICE
Aquaflush® Exposed ZH Hydraulic Actuation Flush Valve for 1-1/2" Top Spud Water Closets				
ZH6000-WS1-YB-YC	Standard 11 1/2" Rough In	1.6 gpf	670240485914	400.79
Aquaflush® Exposed ZH Hydraulic Actuation Flush Valve for 3/4" Top Spud Urinal				
ZH6003-WS1-YB-YC	Standard 11 1/2" Rough In	1.0 gpf	670240496200	400.79
Aquaflush® Exposed ZH Hydraulic Actuation Flush Valve with Bedpan Diverter Valve for 1-1/2" Top Spud Water Closet				
ZH6000-BWN-YB-YC	26-1/2" Rough-In	3.5 gpf	-	781.39
Aquaflush® Exposed ZH Hydraulic Actuation Flush Valve with Bedpan Diverter Valve for 1-1/2" Top Spud Water Closet - for Handicap Grab Bar Applications				
ZH6011-BWN-YB-YC	26-1/2" Rough-In	3.5 gpf	-	781.39

Aquaflush® Concealed ZH Hydraulic Actuation Diaphragm Flush Valves

PRODUCT NO.	DESCRIPTION	FLOW RATE	UPC	LIST PRICE
Aquaflush® Concealed Hydraulic Flush Valve with Exposed Manual Button for 1-1/2" Exposed Back Spud Water Closet				
ZH6140-WS1-YB	14 1/2" Rough-In	1.6 gpf	-	303.26
Aquaflush® Concealed Hydraulic Flush Valve with Exposed Manual Button for 1-1/2" Exposed Top Spud Water Closet				
ZH6142-WS1-YB	14" Rough in	1.6 gpf	-	337.21
Aquaflush® Concealed Hydraulic Flush Valve with Exposed Manual Button for Flushing Floor Drains				
ZH6150-WS1-YB	w/ 1" NPT Female Outlet	1.6 gpf	670240619791	288.16
Aquaflush® Concealed Hydraulic Flush Valve with Exposed Manual Button for 1-1/2" Back Spud Water Closet				
ZH6152-WS1-YB	14 1/2" Rough-In	1.6 gpf	-	314.89
Aquaflush® Concealed Hydraulic Actuation Flush Valve with Exposed Manual Button for 1-1/4" Back Spud Urinal				
ZH6190-WS1-YB	14 1/2" Rough In	1.0 gpf	-	289.66
Aquaflush® Concealed Hydraulic Actuation Flush Valve with Exposed Manual Button for 3/4" Back Spud Urinal				
ZH6195-WS1-YB	13 1/2" Rough in	1.0 gpf	-	289.66
Aquaflush® Concealed Hydraulic Actuation Flush Valve with Exposed Manual Button for Exposed 3/4" Top Spud Urinal				
ZH6197-WS1-YB	18 1/2" Rough in	1.0 gpf	-	377.82

Options for Hydraulic Actuation

SUFFIX	DESCRIPTION	ADD
-SW	Side Wall	58.44
-MB	Metal Button	28.88
-MBP	Metal Button Penal	34.76
	Optional ZP-50 Wall Plate for Push Button	51.26



ZH6140AV

PRISON FLUSH VALVES

Ordering Instructions for Concealed and Prison Flush Valve

- When ordering concealed flush valve, 'L' Dim. must be specified.
- 'L' Dim. equals 2-3/4" plus thickness of wall. Note: for combination lavatory/closet fixtures, add one more inch to wall thickness.
- Penal flush Valve are furnished with -L small vandal-resistant push button as standard.
- for hydraulic application, specify prefix ZH and refer to the Hydraulic section of this price sheet.
- If flush valve are to be used with access panels, order must be noted using Suffix AP after model number. See Z6199 Access Panels for size and price.
- For concealed flush valve, specify -J (handle), -L (small push button), -L3 (3" large push button).
- for 'L' Dim. longer than 12-3/4", add \$7.80 per inch."

AquaVantage® AV Prison Flush Valves

PRODUCT NO.	DESCRIPTION	FLOW RATE	UPC	LIST PRICE
AquaVantage® AV Concealed Flush Valve for Combination Lavatory/Closet Penal Fixtures				
Z6601AV-WS1	20-1/2" Rough-in	1.6 gpf	-	301.01
Z6603AV-WS1	16" Rough-in	1.6 gpf	-	277.66
AquaVantage® AV Exposed Flush Valve for Penal Water Closet Fixtures				
Z6606AV-WS1	Standard 11 1/2" Rough In	1.6 gpf	670240534728	221.15
AquaVantage® AV Concealed Flush Valve for Penal Water Closet Fixtures				
Z6611AV-WS1	24" Rough In	1.6 gpf	-	301.01
AquaVantage® AV Concealed Flush Valve for Detox Drain				
Z6681AV-WS1	26" Rough-in	1.6 gpf	-	310.92
AquaVantage® AV Concealed Flush Valve for Detox Drain with Threaded Down Pipe				
Z6621AV-WS1	w/ 1" NPT Female Outlet	1.6 gpf	-	270.32
AquaVantage® AV Concealed Flush Valve for 1-1/4" Back Spud Penal Urinal Fixtures				
Z6609AV-WS1	13" Rough In	1.0 gpf	-	261.16
AquaVantage® AV Concealed Flush Valve for 3/4" Back Spud Penal Urinal Fixtures				
Z6613AV-WS1	13" Rough In	1.0 gpf	-	272.89
AquaVantage® AV Exposed Flush Valve for 3/4" Top Spud Penal Urinal Fixtures				
Z6614AV-WS1	Standard 11 1/2" Rough In	1.0 gpf	-	221.15

AquaVantage® AV ZH Hydraulic Actuation Prison Flush Valves

Note: MBP (metal button penal) is standard for prison flush valves.

PRODUCT NO.	DESCRIPTION	FLOW RATE	UPC	LIST PRICE
AquaVantage® AV Concealed ZH Hydraulic Actuation Flush Valve for Combination Lavatory/Closet Penal Fixtures				
ZH6603AV-WS1-MBP	16" Rough-in	1.6 gpf	-	413.86
AquaVantage® AV Exposed ZH Hydraulic Actuation Flush Valve for Penal Water Closet Fixtures				
ZH6606AV-WS1-MBP	Standard 11 1/2" Rough In	1.6 gpf	670240573826	477.71
AquaVantage® AV Concealed ZH Hydraulic Actuation Flush Valve for Penal Water Closet Fixtures				
ZH6609AV-WS1-MBP	13" Rough In	1.6 gpf	-	409.58
ZH6611AV-WS1-MBP	16" Rough-in	1.6 gpf	-	436.90
AquaVantage® AV Concealed ZH Hydraulic Actuation Flush Valve for 3/4" Back Spud Penal Urinal Fixtures				
ZH6613AV-WS1-MBP	13" Rough In	1.0 gpf	-	416.75
AquaVantage® AV Exposed ZH Hydraulic Actuation Flush Valve for 3/4" Top Spud Penal Urinal Fixtures				
ZH6614AV-WS1-MBP		1.0 gpf	670240573833	477.76
ZH Hydraulic Actuation				
PH6000-HYLP-MBP	Actuator Only		670240419063	118.58



Z6611AV



ZH6603AV-MBP

When ordering parts, always list product number and description.

For additional product information, please visit www.zurn.com.

AquaFlush® Prison Flush Valves

PRODUCT NO.	DESCRIPTION	FLOW RATE	UPC	LIST PRICE
Aquaflush® Concealed Flush Valve for Combination Lavatory/Closet Penal Fixtures				
Z6601-WS1-YB	20-1/2" Rough-in	1.6 gpf	-	250.67
Z6603-WS1-YB	16" Rough-in	1.6 gpf	-	231.11
Aquaflush® Exposed Flush Valve for Penal Water Closet Fixtures				
Z6611-WS1-YB	24" Rough In	1.6 gpf	-	250.67
Aquaflush® Concealed Flush Valve for Prison Urinal Fixtures				
Z6609-WS1-YB	13" Rough In	1.0 gpf	-	217.24
Z6613-WS1-YB	13" Rough In	1.0 gpf	-	227.05

AquaFlush® ZH Hydraulic Actuation Prison Flush Valves

PRODUCT NO.	DESCRIPTION	FLOW RATE	UPC	LIST PRICE
Aquaflush® Concealed ZH Hydraulic Actuation Flush Valve for Combination Lavatory/Closet Penal Fixtures				
ZH6603-WS1-MBP-YB	16" Rough-in	1.6 gpf	-	385.64
Aquaflush® Concealed ZH Hydraulic Actuation Flush Valve for Penal Water Closet Fixtures				
ZH6611-WS1-MBP-YB	16" Rough-in	1.6 gpf	-	398.22
Aquaflush® Concealed ZH Hydraulic Actuation Flush Valve for Prison Urinal Fixtures				
ZH6609-WS1-MBP-YB	13" Rough In	1.0 gpf	-	385.64
ZH6613-WS1-MBP-YB	13" Rough In	1.0 gpf	-	385.64

AQUAVANTAGE® AV FOOT PEDAL ACTUATION FLUSH VALVES

PRODUCT NO.	DESCRIPTION	FLOW RATE	UPC	LIST PRICE
AquaVantage® AV Exposed Foot Pedal Actuation Flush Valves for 1-1/2" Top Spud Water Closets				
Z6310AV-WS1		1.6 gpf	670240596863	730.56
AquaVantage® AV Exposed Foot Pedal Actuation Flush Valves for 1-1/4" Top Spud Urinals				
Z6300AV-WS1		1.0 gpf	670240569508	730.56
AquaVantage® AV Exposed Foot Pedal Actuation Flush Valves for 3/4" Top Spud Urinals				
Z6320AV-WS1		1.0 gpf	670240640177	730.56
AquaVantage® AV Concealed Foot Pedal Actuation Flush Valves for 1-1/2" Top Spud Water Closets				
Z6312AV-WS1		1.6 gpf	-	740.36
AquaVantage® AV Concealed Foot Pedal Actuation Flush Valves for 1-1/4" Top Spud Urinals				
Z6313AV-WS1		1.0 gpf	-	681.44
AquaVantage® AV Concealed Foot Pedal Actuation Flush Valves for 3/4" Top Spud Urinals				
Z6323AV-WS1		1.0 gpf	-	681.44



FLUSH VALVES FOR EASTERN STYLE WATER CLOSETS

Standard flush is 3.5 gallons. Specify -WS1 for 1.6 gallon or -PWS for 2.4 gallons.

PRODUCT NO.	DESCRIPTION	FLOW RATE	UPC	LIST PRICE
AquaVantage® AV Exposed Flush Valves for Eastern Style Water Closets				
Z6096AV-WS1		1.6 gpf	670240598096	279.06
Z6096AV-WS1-WA			-	283.45
AquaVantage® AV Concealed Flush Valves for Eastern Style Water Closets				
Z6196AV-WS1	3-3/4" - 12-3/4" L Dim.		-	347.45
Zurn Metroflush® Exposed Flush Valve for Eastern Style Water Closet				
Z6296-WS1		1.6 gpf	-	301.39
Z6296-WA-WS1		1.6 gpf	-	339.30

ACCESS PANELS

Satin finish, stainless steel with vandal-proof screws.

PRODUCT NO.	DESCRIPTION	FLOW RATE	UPC	LIST PRICE
Access Panels for Concealed Manual Flush Valves - For use with all Z61xx, ZH61xx series flush valves				
Z6199-BX12	12" x 12"		670240434042	289.22
Z6199-BX15	15" x 15"		670240446014	357.45
Z6199-BX17	13" x 17"		670240446021	357.45
Solid Access Panels (No Hole)				
Z6199-BX12-NH	12" x 12"		670240521742	289.22
Z6199-BX15-NH	15" x 15"		670240462144	357.45
Z6199-BX17-NH	13" x 17"		670240536272	357.45
Access Panels for Concealed ZEMS Sensor Flush Valves- Closet				
ZEMS6199-BX12-C	12" x 12"		889934065268	288.89
ZEMS6199-BX15-C	15" x 15"		889934065282	357.45
ZEMS6199-BX17-C	13" x 17"		889934065305	360.74
Access Panels for Concealed ZEMS Sensor Flush Valves- Urinal				
ZEMS6199-BX12-U	12" x 12"		889934065275	288.89
ZEMS6199-BX15-U	15" x 15"		889934065299	357.45
ZEMS6199-BX17-U	13" x 17"		889934065312	360.74
Access Panels for Concealed ZER Sensor Flush Valves				
ZERK6199-BX12	12" x 12"		670240586277	288.89
ZER6199-BX17	13" x 17"		670240617483	349.06
Access Panel Accessories				
P6199-SC-1	1" Long Vandal-Proof Screws		670240433519	1.87
P6199-SC-2	2" Long Vandal-Proof Screws		670240504684	5.05



Z6196AV



Z6199-BX12



Z6199-BX15



ZEMS6199-BX__

RETROFIT X-BODIES - EXPOSED AND CONCEALED

For Zurn and Royal/Regal Installations -X Body = Flush valve body with internals kit, less control stop and flush connection. Sensor -X bodies do not include sensor unit or component parts.

PRODUCT NO.	DESCRIPTION	FLOW RATE	UPC	LIST PRICE
AquaVantage® AV Exposed Retrofit X-Bodies for 1-1/2" Spud Water Closet				
Z6000AV-HET-X		1.28 gpf	670240366428	153.94
Z6000AV-WS1-X		1.6 gpf	670240532809	153.94
AquaVantage® AV Concealed Retrofit X-Bodies for 1-1/2" Spud Water Closet				
Z6100AV-HET-X		1.28 gpf	670240388161	122.77
Z6100AV-WS1-X		1.6 gpf	670240549517	122.77
AquaVantage® AV Exposed ZH Hydraulic Actuation Retrofit X-Bodies for 1-1/2" Spud Water Closet				
ZH6000AV-WS1-X		1.6 gpf	670240703872	271.66
AquaVantage® AV Concealed ZH Hydraulic Actuation Retrofit X-Bodies for 1-1/2" Spud Water Closet				
ZH6100AV-WS1-X		1.6 gpf	670240621404	243.01
AquaVantage® AV Exposed ZEMS Intergal Sensor Actuation Retrofit X-Bodies for 1-1/2" Spud Water Closet				
ZEMS6000AV-HET-IS-X		1.28 gpf	-	539.24
ZEMS6000AV-WS1-IS-X		1.6 gpf	670240627635	552.21
AquaVantage® AV Exposed ZEMS In Wall Sensor Actuation Retrofit X-Bodies for 1-1/2" Spud Water Closet				
ZEMS6000AV-HET-X		1.28 gpf	670240491762	552.21
ZEMS6000AV-WS1-X		1.6 gpf	670240607804	552.21
AquaVantage® AV Concealed ZEMS In Wall Sensor Actuation Retrofit X-Bodies for 1-1/2" Spud Water Closet				
ZEMS6100AV-HET-X		1.28 gpf	-	390.84
ZEMS6100AV-WS1-X		1.6 gpf	670240621787	400.23
AquaVantage® AV Exposed Retrofit X-Bodies for 1-1/4" Spud Urinal				
Z6001AV-WS1-X		1.0 gpf	670240665613	153.94
AquaVantage® AV Exposed Retrofit X-Bodies for 3/4" Spud Urinal				
Z6003AV-ULF-X		0.125 gpf	670240384552	153.94
Z6003AV-EWS-X		0.5 gpf	670240809369	153.94
Z6003AV-WS1-X		1.0 gpf	670240542082	153.94
AquaVantage® AV Exposed ZH Hydraulic Actuation Retrofit X-Bodies for 3/4" Spud Urinal				
ZH6003AV-ULF-X		0.125 gpf	-	272.36
ZH6003AV-EWS-X		0.5 gpf	-	272.36
ZH6003AV-WS1-X		1.0 gpf	-	272.36
AquaVantage® AV Exposed ZEMS Intergal Sensor Actuation Retrofit X-Bodies for 1-1/4" Spud Urinal				
ZEMS6001AV-WS1-IS-X		1.0 gpf	-	539.24
AquaVantage® AV Exposed ZEMS Intergal Sensor Actuation Retrofit X-Bodies for 3/4" Spud Urinal				
ZEMS6003AV-ULF-IS-X		0.125 gpf	-	539.24
ZEMS6003AV-EWS-IS-X		0.5 gpf	-	539.24
ZEMS6003AV-WS1-IS-X		1.0 gpf	670240847958	552.21
RETROFIT X-BODIES OPTIONS	DESCRIPTION			ADD
P6000-J10	To retrofit to ground joint control stop, use appropriate Z-X body and P6000-J10 ground joint adapter.			26.21

ACCESSORIES/VARIATIONS

SUFFIX	DESCRIPTION	LIST PRICE
-ADA	Handicap Handle Flush Valve	-
-BG	BioCare Handle	48.16
-DF	Dual Flush Handle	74.34
-E	Straight Stop	14.85
-EWS	0.5 gpf Flush	-
-GJ	Ground Joint Tailpiece	14.47
-H	Handle/Front Operation Exposed Flush Valve	17.52
-HET	High Efficiency Toilet 1.28 gpf Water Closet	-
-HL	Small Push Button	-
-HL3	3" Large Push Button	17.52
-J	Oscillating Handle	-
-K	Wheel Handle Stop - CP	12.06
-N	Top Spud Connection for Concealed Valve	163.25
-010	1" Offset Flush Connection	40.61
-015	1-1/2" Offset Flush Connection	40.61
-020	2" Offset Flush Connection	40.61
-ONE	1.1 gpf Water Closet	-
-ULF	Ultra Low Flush 0.125 gpf Urinal	-
-VC	Vandal-Resistant Control Stop Cover	13.40
-VP	Vandal-Resistant Control Stop Screw	4.39
-WS	Water Saving Flush - 3.5 Gal. Closet; 1.5 Gal. Urinal	-
-WS1	Low Consumption Flush 1.6 Gal. Closet; 1.0 Gal. Urinal	-
-YB	Sweat Solder Kit - Exposed (Each)	10.77
-YBA	Sweat Solder Kit - Concealed (Each)	4.66
-YC	Cast Wall Flange (Each)	18.22
-YE	Cover Tube and Adapter for -YB Kit	9.75
-YG	Extended Bumper on Control Stop	10.56
-YJ	Split Ring Pipe Support - 5" C to E	49.18
-YJ8	Split Ring Pipe Support - 8" C to E	72.90
-YJ12	Split Ring Pipe Support - 12" C to E	97.81
-YK	Solid Ring Pipe Support - 5" C to E	40.87
-YK8	Solid Ring Pipe Support - 8" C to E	61.71
-YK12	Solid Ring Pipe Support - 12" C to E	86.45
-YL	Solid Ring Pipe Support with Bumper 5" C to E (Add \$3.80 per inch over 5")	56.03
-YO	Bumper on Control Stop	12.43



-ADA



-L



-L3



-E



-VC



-YC



-YL



-YJ



-YO



-VP



-YBA



-YE

When ordering parts, always list product number and description.

For additional product information, please visit www.zurn.com.

SPECIALITY ITEMS

PRODUCT NO./SUFFIX	DESCRIPTION	LIST PRICE
	'L' Dimension Over 12-3/4"	8.20
	Inlet Tail Longer Than 2-1/16 Std.	4.19
	Outlet Longer Than Standard	2.15
	17-Gage Outlet	4.19
P6000-YB-CVR7	1" x 6" Cover Tubing	27.00
P6003-YB-CVR7	3/4" x 6" Cover Tubing	27.00
	Cover Tubing Over 7" Long	6.48
P6000-YB-CVR36	1" x 36" Cover Tubing	80.94
P6003-YB-CVR36	3/4" x 36" Cover Tubing	80.94
-Z	Exposed Flush Valve Body and Control Stop Less Flush Connection	204.87
-Y	Exposed Flush Valve Body and Flush Connection Less Control Stop, Suffix	204.87
-TP	Fittings Only for Flush Tube	37.44
P6000-J10	Ground Joint Adapter	26.31
-VC	Vandal-Proof Wrench for Cover	0.48

FLUSH VALVES

FAUCETS

TEMP-GARD®

TUBULAR BRASS

FIXTURES

AQUAPARTS® REPAIR PARTS
AND ASSEMBLIES

ZURN® AQUAVANTAGE® AV/SLOAN® FLUSH VALVE CROSS REFERENCE

Exposed Flush Valves	
Zurn AquaVantage®	Sloan Royal®
Z6000AV	Royal 110
Z6000AV-WS1	Royal 111
Z6000AV-1	Royal 113
Z6014AV	Royal 114
Z6000AV-2	Royal 115
Z6000AV-3	Royal 116
Z6017AV	Royal 117
Z6010AV	Royal 120
Z6010AV-1	Royal 121
Z6010AV-2	Royal 122
Z6099AV	110-YC-RM14266
Z6001AV	Royal 180
Z6001AV-WS1	Royal 180-1
Z6081AV	Royal 181
Z6003AV	Royal 186
Z6003AV-WS1	Royal 186-1
Z6003AV-20	Royal 186-11
Z6087AV	Royal 187
Z6089AV	Royal 189

Concealed Flush Valves	
Zurn AquaVantage®	Sloan Royal®
Z6140AV	Royal 140
Z6142AV	Royal 142
Z6143AV	Royal 143
Z6144AV	Royal 144
Z6150AV	Royal 150
Z6152AV	Royal 152
Z6153AV	Royal 153
Z6154AV	Royal 154
Z6155AV	Royal 155
Z6199-BX12	Royal B/P-24508
Z6190AV	Royal 190
Z6192AV	Royal 192
Z6192AV	Royal 6192
Z6195AV	Royal 195
Z6195AV-20	Royal 195-11
Z6197AV	Royal 197

Hydraulic Flush Valves	
Zurn AquaVantage®	Sloan Royal®
ZH6000AV	Royal 910
ZH6017AV	Royal 917
ZH6010AV	Royal 920
ZH6000AV-BWN	Royal 9000
ZH6001AV	Royal 980
ZH6003AV	Royal 986
ZH6003AV-20	Royal 986-11
ZH6140AV	Royal 940
ZH6142AV	Royal 942
ZH6150AV	Royal 950
ZH6152AV	Royal 952
ZH6190AV	Royal 990
ZH6195AV	Royal 995
ZH6195AV-11	Royal 995-11

Bedpan Washers	
Zurn AquaVantage®	Sloan Royal®
Z6000AV-BWN	Royal BPW-1100
Z6000AV-BWN1	Royal BPW-1000
Z6010AV-BWN	Royal BPW-1110
Z6010AV-BWN1	Royal BPW-1010
Z6011AV-BWN	Royal BPW-1150
Z6020AV-BWN	Royal BPW-1020
Z6040AV-BWN	Royal BPW-1040
Z6000AV-TP	110-VBF-72-A1-9-1/2
Z6000AV-1-TP	110-VBF-72-A1-13-1/2
Z6000AV-2-TP	110-VBF-72-A1-21-1/2
Z6000AV-3-TP	110-VBF-72-A1-24 -1/2

Bedpan Washers with Deoseptic Bottle	
Zurn AquaVantage®	Sloan Royal®
Z6000AV-BWND	BPW 1105 w/ DEOSEPTIC
Z6010AV-BWNID	BPW 1015 w/ DEOSEPTIC
Z6010AV-BWND	BPW 1115 w/ DEOSEPTIC
Z6011AV-BWND	BPW 1155 w/ DEOSEPTIC
Z6020AV-BWND	BPW 1025 w/ DEOSEPTIC
Z6040AV-BWND	BPW 1045 w/ DEOSEPTIC
ZH6000AV-BWNID	BPW 9005 w/ DEOSEPTIC
Z6000-DVNID	DV 105
Z6010-DVNID	DV 105R
Z6000-DVND	DV 115
Z6010-DVND	DV 115R
Z6011-DVND	DV 125
Z6010-DVND-LO	DV 125R
Z6000-DVNID-020	DV 135

Penal Flush Valves	
Zurn AquaVantage®	Sloan Royal®
Z6601AV	Royal 601
Z6602AV	Royal 602
Z6603AV	Royal 603
Z6605AV	Royal 605
Z6606AV	Royal 606
Z6609AV	Royal 609
Z6610AV	Royal 610
Z6611AV	Royal 611
Z6613AV	Royal 613
Z6614AV	Royal 614
Z6615AV	Royal 615
Z6616AV	Royal 616
Z6621AV	Royal 621
Z6681AV	Royal 681

Foot Pedal Valves	
Zurn AquaVantage®	Sloan Royal®
Z6310AV	Royal 310
Z6300AV	Royal 300
Z6320AV	Royal 320

Sensor Electronic Flush Valves	
Zurn AquaVantage®	Sloan®
ZEMS6000AV-IS	Royal 110ES-S
ZEMS6000AV-WS1-IS	Royal 111ES-S
ZEMS6001AV-IS	Royal 180ES-S
ZEMS6003AV-IS	Royal 186ES-S
ZEMS6003AV-WS1-IS	Royal 186-1ES-S
ZEMS6140AV	Royal 140ES-S
ZEMS6142AV	Royal 142ES-S
ZEMS6152AV	Royal 152ES-S
ZEMS6190AV	Royal 190ES-S
ZEMS6195AV	Royal 195ES-S

Sensor Battery Flush Valves	
Zurn AquaVantage®	Sloan®
ZER6000AV-CPM	Royal 8110-MC
ZER6000AV-WS1-CPM	Royal 8111-MC
ZER6000AV-2-CPM	Royal 8115-MC
ZER6000AV-3-CPM	Royal 8116-MC
ZER6000AV-BWN-CPM	Royal BPW-8000-MC
ZER6000AV-CP	Royal 8110
ZER6000AV-WS1-CP	Royal 8111
ZER6000AV-2-CP	Royal 8115
ZER6000AV-3-CP	Royal 8116
ZER6000AV-BWN-CP	Royal BPW-8000

Sensor Battery Operated Retrofit Kits	
Zurn AquaVantage®	Sloan Royal®
ZR6001AV	Royal 8180-MC
ZR6001AV-WS1	Royal 8180-1.0-MC
ZR6003AV	Royal 8186-MC
ZR6003AV-WS1	Royal 8186-1-MC
ZR6000AV	Royal 8110-MC
ZR6000AV-WS1	Royal 8111-MC
ZR6000AV-2	Royal 8115-MC
ZR6000AV-3	Royal 8116-MC
ZR6000AV-BWN	Royal BPW-8000-MC

Sensor Battery Operated Kits	
Zurn®	Sloan®
ZERK-CPM	RESS-CR-4.5C-MC
ZERK-CPM	RESS-CF-3.5C-MC
ZERK-CPM	RESS-CF-1.6C-MC
ZERK-CPM	RESS-3.0U-MC
ZERK-CPM	RESS-1.5U-MC
ZERK-CPM	RESS-1.0U-MC
ZERK-CP	RESS-CR-4.5C-MC
ZERK-CP	RESS-CF-3.5C-MC
ZERK-CP	RESS-CF-1.6C-MC
ZERK-CP	RESS-3.0U-MC
ZERK-CP	RESS-1.5U-MC
ZERK-CP	RESS-1.0U-MC

ZURN® AQUAFLUSH/SLOAN® FLUSH VALVE CROSS REFERENCE

FLUSH VALVES

Sensor Battery Operated Retrofit Kits	
Zurn®	Sloan Royal®
ZRK-C-4.5	RESS-G2-C-ROYAL
ZRK-C-3.5	RESS-G2-C-ROYAL
ZRK-C-1.6	RESS-G2-C-ROYAL
ZRK-U-3.0	RESS-G2-U-ROYAL
ZRK-U-1.5	RESS-G2-U-ROYAL
ZRK-U-1.0	RESS-G2-U-ROYAL

FAUCETS

Flush Valves	
Zurn Aquaflush® Plus	Sloan Regal Pro®
Z6000PL	Sloan 110
Z6000PL-YK	Sloan 110-YK
Z6000PL-WS1	Sloan 111
Z6000PL-1	Sloan 113
Z6000PL-1-WS1	Sloan 113-1.6
Z6014PL	Sloan 114
Z6014PL-WS1	Sloan 114-1.6
Z6000PL-2	Sloan 115
Z6000PL-2-WS1	Sloan 115-1.6
Z6000PL-3	Sloan 116
Z6000PL-3-WS1	Sloan 116-1.6
Z6010PL	Sloan 120
Z6010PL-WS1	Sloan 120-1.6
Z6001PL	Sloan 180
Z6001PL-YK	Sloan 180-YK
Z6001PL-WS1	Sloan 180-1
Z6001PL-WS	Sloan 180-1.5
Z6003PL	Sloan 186
Z6003PL-EWS	Sloan 186-0.5
Z6003PL-WS1	Sloan 186-1
Z6017PL	Sloan 117
Z6017PL-H	Sloan 117-H
Z6017PL-H-O10	Sloan 117-H-O10
Z6017PL-H-O15	Sloan 117-H-O15
Z6017PL-H-O20	Sloan 117-H-O20
ZH6000PL	Sloan 910
ZH6000-PL-WS1	Sloan 910-1.6
ZH6150PL	Sloan 950
ZH6001PL	Sloan 980
ZH6001PL-WS1	Sloan 980-1
ZH6001PL-WS	Sloan 980-1.5
ZH6003PL	Sloan 986
ZH6003PL-EWS	Sloan 986-0.5
ZH6003PL-WS1	Sloan 986-1
Z6000PL-TP	Sloan 111-TP
Z6000PL-TP-YK	Sloan 110-TP-YK

TEMP-GARD®

TUBULAR BRASS

FIXTURES

AQUAPARTS® REPAIR PARTS AND ASSEMBLIES

Flush Valves	
Zurn Aquaflush®	Sloan Regal Pro®
Z6000	Regal 110
Z6000-YB-YC	Regal 110XL
Z6000-WS1	Regal 111
Z6000-WS1-YB-YC	Regal 111XL
Z6014	Regal 114
Z6000-2	Regal 115
Z6000-2-YB-YC	Regal 115XL
Z6000-3	Regal 116
Z6000-3-YB-YC	Regal 116XL
Z6017	Regal 117
Z6010	Regal 120
Z6010-YB-YC	Regal 120XL
Z6010-1	Regal 121
Z6010-1-YB-YC	Regal 121XL
Z6010-2	Regal 122
Z6010-2-YB-YC	Regal 122XL
Z6001	Regal 180
Z6001-YB-YC	Regal 180XL
Z6001-WS1	Regal 180-1
Z6001-WS1-YB-YC	Regal 180-1XL
Z6003	Regal 186
Z6003-YB-YC	Regal 186XL
Z6003-WS1	Regal 186-1
Z6003-WS1-YB-YC	Regal 186-1XL
Z6081	Regal 181
Z6087	Regal 187
Z6089	Regal 189
Z6140	Regal 140
Z6140-YB	Regal 140YB
Z6142	Regal 142
Z6142-YB	Regal 142YB
Z6143	Regal 143
Z6143-YB	Regal 143YB
Z6144	Regal 144
Z6144-YB	Regal 144YB
Z6150	Regal 150
Z6150-YB	Regal 150YB
Z6152	Regal 152
Z6152-YB	Regal 152YB
Z6154	Regal 154
Z6154-YB	Regal 154YB
Z6155	Regal 155
Z6155-YB	Regal 155YB
Z6190	Regal 190
Z6190-YB	Regal 190YB
Z6192	Regal 192
Z6195	Regal 195
Z6195-YB	Regal 195YB
Z6197	Regal 197

Hydraulic Valves	
Zurn Aquaflush®	Sloan Regal®
ZH6603	Regal 9603
ZH6609	Regal 9609
ZH6613	Regal 9613
ZH6000	Regal 910
ZH6017	Regal 917
ZH6010	Regal 920
ZH6000-BWN	Regal BPW-9000
ZH6001	Regal 980
ZH6003	Regal 986
ZH6140	Regal 940
ZH6142	Regal 942
ZH6150	Regal 950
ZH6152	Regal 952
ZH6190	Regal 990
ZH6195	Regal 995

Penal Flush Valves	
Zurn Aquaflush®	Sloan Regal®
Z6601	Regal 601
Z6601-YB	Regal 601YB
Z6603	Regal 603
Z6603-YB	Regal 603YB
Z6606	Regal 606
Z6606-YB-YC	Regal 606XL
Z6609	Regal 609
Z6609-YB	Regal 609YB
Z6610	Regal 610
Z6610-YB-YC	Regal 610YB
Z6611	Regal 611
Z6611-YB	Regal 611YB
Z6613	Regal 613
Z6613-YB	Regal 613YB
Z6614	Regal 614
Z6614-YB-YC	Regal 614XL
Z6615	Regal 615
Z6615-YB	Regal 615YB
Z6616	Regal 616
Z6616-YB	Regal 616YB
Z6681	Regal 681

Bedpan Washer Flush Valves	
Zurn Aquaflush®	Sloan Regal®
Z6000-BWN	BPW 1000
Z6000-BWN-YB-YC	BPW 1000XL
Z6010-BWN	BPW 1010
Z6011-BWN	BPW 1150
Z6020-BWN	BPW 1020
Z6030-BWN	BPW 1030
Z6040-BWN	BPW 1040
ZH6000-BWN-FW	BPW 9000

FAUCETS

AQUA-FIT® SENSOR FAUCET SYSTEMS 40

Z6950 AQUA-FIT® SERIO SERIES - SINGLE POST 40

Z6950-XL-IM AQUA-FIT® SERIO SERIES - SINGLE POST WITH INTERGAL MIXING VALVE 40

Z6955 AQUA-FIT® SERIO SERIES - 4" INCH CENTER 40

Z6951 AQUA-FIT® FULMAR SERIES - SINGLE POST 40

FAUCET ACCESSORIES AQUA-FIT® Z6950 SERIO SERIES 41

AERATOR OPTIONS FOR AQUA-FIT® SERIES 41

ADDITIONAL POWER OPTIONS FOR AQUA-FIT® SERIES 41

AQUASENSE® E-Z SENSOR-OPERATED FAUCETS 42

FAUCET ORDERING INSTRUCTIONS 42

AQUASENSE® Z6913 SERIES - SINGLE HOLE SENSOR FAUCET 42

AQUASENSE® Z6915 SERIES - 4" CENTERSET SENSOR FAUCET 42

AQUASENSE® Z6918 SERIES - SINGLE HOLE SENSOR FAUCET 42

AQUASENSE® Z6920 SERIES - SINGLE HOLE GOOSENECK SENSOR FAUCET 43

AQUASENSE® Z6922 SERIES - SINGLE HOLE WALL MOUNT GOOSENECK SENSOR FAUCET 43

AQUASENSE® Z6930 SERIES - SINGLE HOLE SENSOR FAUCET 43

AQUASENSE® FAUCET ACCESSORIES 44

POWER CONVERTERS FOR SENSOR FAUCETS 44

AERATORS FOR Z6913-XL AND Z6915-XL 44

SLIM AERATORS FOR Z6913-XL AND Z6915-XL 44

AERATORS FOR Z6920-XL AND Z6922-XL 44

AERATORS FOR Z6930-XL, Z6950-XL, Z6950-XL-IM AND Z6951-XL 44

MIXING TEE AND MIXING VALVES 45

GOOSENECKS 45

COVER PLATES AND ADAPTERS 45

POWER SUPPLIES 45

HOSES 45

HYDRO GENERATOR 45

Z6900 SERIES - ACCESSORIES 46

AQUASENSE® FAUCET CROSS REFERENCE GUIDE 46

AQUASPEC® FAUCET BUILDER 47

AQUASPEC® COMMERCIAL PRODUCT SUFFIXES 53

AQUASPEC® COMMERCIAL PRODUCTS 55

4" CENTERSET LAVATORY FAUCETS 55

4" CENTERSET GOOSENECK FAUCETS 55

4" CENTERSET CAST SPOUT FAUCETS 56

4" CENTERSET TUBULAR SPOUT FAUCETS 56

4" CENTERSET DOUBLE-JOINTED SPOUT FAUCETS 56

4" CENTERSET VACUUM BREAKER SPOUT FAUCETS 57

4" CENTERSET BENT RISER SPOUT FAUCETS 57

4" CENTERSET METERING FAUCETS 57

SINK GOOSENECK FAUCETS 58

SINK CAST SPOUT FAUCETS 58

SINK TUBULAR SPOUT FAUCETS 58

SINK DOUBLE-JOINTED SPOUT FAUCETS 59

SINK VACUUM BREAKER SPOUT FAUCETS 59

WIDESPREAD GOOSENECK FAUCETS 61

WIDESPREAD CAST SPOUT FAUCETS 61

WIDESPREAD TUBULAR SPOUT FAUCETS 62

WIDESPREAD BENT RISER SPOUT FAUCETS 62

WIDESPREAD VACUUM BREAKER FAUCETS 63

WIDESPREAD METERING FAUCETS 63

DECK-MOUNTED FAUCETS 64

BACK-MOUNTED FAUCETS 64

WALL-MOUNTED FAUCETS 64

KITCHEN SINK FAUCETS 66

SERVICE SINK FAUCETS 67

CLINICAL SERVICE SINK FAUCETS 69

SINGLE BASIN FAUCETS 70

SINGLE CONTROL FAUCETS 70

SINGLE LAB FAUCETS 71

DOUBLE LAB FAUCETS 72

MISC. LAB FAUCETS 73

SHOWER VALVE BODY 74

MISC. FAUCETS 74

BEDPAN WASHERS 74

SINK AND SERVICE SINK FAUCETS 75

PRE-RINSE UNITS 77

SPRAY HOSES 78

TURRETS 78

VALVES 78

FOOT PEDAL VALVE 79

SUPPLY STOPS 79

MISCELLANEOUS ACCESSORIES 79

PRE-RINSE ACCESSORIES 80

POT FILLERS 80

POT FILLER ACCESSORIES 80

HOSE REEL ACCESSORIES 81

GLASS AND PITCHER FILLERS 81

BASKET STRAINERS 81

REPAIR PARTS 81

AERATOR ADAPTERS 82

CERAMIC DISC XL CARTRIDGES 82

SINGLE CONTROL MIXING CARTRIDGES 82

COVER PLATES 82

MIXING YOKES 82

BODY ASSEMBLY PARTS AND MOUNTING HARDWARE 82

SUPPLY ARMS 83

METERING PARTS 83

HANDLE PARTS 83

SINGLE HANDLES 83

PAIR OF HANDLES 83

METERING HANDLES 83

SPOUTS 84

SPOUT PARTS 84

LEAD-FREE (XL) SPOUTS 84

AQUA-FIT® SENSOR FAUCET SYSTEMS

The Aqua-FIT® Sensor Faucets are available in standard battery, hardwired, plug-in, and lithium long life 10+ year battery options. The Aqua-FIT® platform is built on commonized internal parts that allow for quick and easy faucet design upgrades in retrofit applications.

PRODUCT NO.	DESCRIPTION	UPC	LIST PRICE
Z6950 Aqua-FIT® Serio Series - Single Post			
Z6950-XL-S	w/ 1.5 gpm Aerator	670240967342	743.79
Z6950-XL-S-F	w/ 0.5 gpm Spray Outlet	670240967434	743.79
Z6950-XL-S-CP4	w/ 4" Cover Plate	-	796.94
Z6950-XL-S-CP4-F	w/ 0.5 gpm Spray Outlet and 4" Cover Plate	670240973138	796.94
Z6950-XL-S-CWB	w/ Connecting Wire for Plug In or Hardwired Applications	-	749.33
Z6950-XL-S-CWB-F	w/ Connecting Wire for Plug In or Hardwired Applications and 0.5 gpm Spray Outlet	670240973152	749.33
Z6950-XL-S-CP8	w/ 8" Cover Plate	-	832.26
Z6950-XL-S-MT	w/ Mixing Tee	-	788.38
Z6950-XL-S-CP4-MT	w/ 4" Cover Plate and Mixing Tee	-	841.64
Z6950-XL-S-CP8-MT	w/ 8" Cover Plate and Mixing Tee	-	876.80
Z6950-XL-S-MV	w/ Mixing Valve	-	845.81
Z6950-XL-S-CP4-MV	w/ 4" Cover Plate and Mixing Valve	-	898.96
Z6950-XL-S-CP8-MV	w/ 8" Cover Plate and Mixing Valve	-	934.28
Z6950-XL-S-TMV-1	w/ Thermostatic Mixing Valve	-	1,000.98
Z6950-XL-S-CP4-TMV-1	w/ 4" Cover Plate and Thermostatic Mixing Valve	-	1,054.12
Z6950-XL-IM Aqua-FIT® Serio Series - Single Post with Intergal Mixing Valve			
Z6950-XL-IM-S	w/ 1.5 gpm Aerator	670240967335	853.49
Z6950-XL-IM-S-F	w/ 0.5 gpm Spray Outlet	670240967458	853.49
Z6950-XL-IM-S-CP4	w/ 4" Cover Plate	-	749.33
Z6950-XL-IM-S-CP4-F	w/ 0.5 gpm Spray Outlet and 4" Cover Plate	889934000153	691.30
Z6950-XL-IM-S-CWB	w/ Connecting Wire for Plug In or Hardwired Applications	-	788.38
Z6950-XL-IM-S-CWB-F	w/ Connecting Wire for Plug In or Hardwired Applications and 0.5 gpm Spray Outlet	670240003903	859.02
Z6950-XL-IM-S-CP8	w/ 8" Cover Plate	-	1,000.98
Z6955 Aqua-FIT® Serio Series - 4" Inch Center			
Z6955-XL-S	w/ 1.5 gpm Aerator	670240931985	743.79
Z6955-XL-S-F	w/ 0.5 gpm Spray Outlet	670240967441	743.79
Z6955-XL-S-CWB	w/ Connecting Wire for Plug In or Hardwired Applications	-	906.64
Z6955-XL-S-CWB-F	w/ Connecting Wire for Plug In or Hardwired Applications and 0.5 gpm Spray Outlet	889934000108	749.33
Z6955-XL-S-MT	w/ Mixing Tee	-	859.02
Z6955-XL-S-MV	w/ Mixing Valve	-	859.02
Z6955-XL-S-TMV-1	w/ Thermostatic Mixing Valve	-	941.95
Z6951 Aqua-FIT® Fulmar Series - Single Post			
Z6951-XL	Chrome Finish	-	712.49
Z6951-XL-PN	Polished Nickel Finish	-	783.84
Z6951-XL-BN	Brushed Nickel Finish	-	820.05
Z6951-XL-PB	Polished Brass Finish	-	820.05
Z6951-XL-E	w/ 1.5 gpm vandal-resistant aerator	889934082548	712.49
Z6951-XL-F	w/ 0.5 gpm vandal-resistant aerator	889934082531	712.49
Z6951-XL-K-LL	w/ Long Life Battery	889934083064	766.10
Z6951-XL-CP4	w/ 4" cover plate	-	762.40
Z6951-XL-CP4-F	w/ 4" cover plate	-	762.40



Z6950-XL-S



Z6950-XL-IM-S



Z6955-XL-S



Z6951-XL

PRODUCT NO.	DESCRIPTION	UPC	LIST PRICE
Z6951 Aqua-FIT® Fulmar Series - Single Post (CONTINUED)			
Z6951-XL-CWB	w/ Connector wire for hardwire	-	717.69
Z6951-XL-CWB-F	w/ Connector wire for hardwire	-	717.69
Z6951-XL-CP8	w/ 8" cover plate	-	795.56
Z6951-XL-MT	w/ Mixing tee	-	754.36
Z6951-XL-CP4-MT	w/ 4" cover, mixing tee	-	804.27
Z6951-XL-CP8-MT	w/ 8" cover, mixing tee	-	837.43
Z6951-XL-MV	w/ Temperature mixing valve	-	808.28
Z6951-XL-CP4-MV	w/ 4" cover, mixing valve	-	858.19
Z6951-XL-CP8-MV	w/ 8" cover, mixing valve	-	891.35
Z6951-XL-TMV-1	w/ TMV for single faucet	-	953.98
Z6951-XL-CP4-TMV-1	w/ 4" cover, TMV	-	1,003.89

PRODUCT NO.	DESCRIPTION	UPC	LIST PRICE
Faucet Accessories Aqua-FIT® Z6950 Serio Series			
P6950-XL-S-1	Z6950-XL Spout Assembly with Sensor & Shank Base	670240963221	279.29
P6955-XL-S-1	Z6955-XL Spout Assembly with Sensor Shank Base	670240963214	378.96
P6950-XL-S-IM-1	Z6950-XL-IM Spout Assembly with Sensor Shank Base	670240963238	312.20
P6950-XL-SPOUT	Z6950-XL Spout Assembly with Sensor (LESS BASE SHANK)	670240963269	222.10
P6955-XL-SPOUT	Z6955-XL Spout Assembly with Sensor (LESS BASE SHANK)	670240963252	321.77
P6950-XL-IM-SPOUT	Z6950-XL-IM Spout Assembly with Sensor (LESS BASE SHANK)	670240963245	233.07
P6950-XL-B	Spout shank base for Z6950/Z6955-XL	670240963276	57.18
P6950-XL-IM-B	Spout shank base on Z6950-XL-IM	670240963283	79.12
P6950-XL-42	Z6950/Z6950-XL-IM Spout base gasket	670240963290	1.40
P6950-XL-44	Z6955-XL Spout base gasket	670240963306	2.71
P6950-XL-B-L	Electronics Box with Solenoid - Z6950/55-XL	889934091670	322.28
P6950-XL-IM-B-L	Electronics Box with Solenoid - Z6950-XL-IM	670240963313	495.24
P6950-XL-Y	Y pipe adaptor for Z6950-XL-IM model	670240963337	23.78
P6950-XL-H	Mixing Handle for Z6950-XL-IM model	670240963344	7.17
P6950-XL-C	Mixing handle plug/cap for Z6950-XL-IM model	-	3.00
P6950-XL-OS	Handle O-ring & Handle Screw Z6950-XL-IM	670240963481	1.92
P6950-XL-YC	Y Cable Adaptor Z6950-XL-IM	670240963498	38.83
P6950-XL-DC	Modular DC pigtail cable for Plug-In & Hardwired Units	670240963504	51.20
P6950-CP4	4" Cast Cover Plate w/ Gasket	670240963511	25.82
P6950-CP8	8" Cast Cover Plate w/ Gasket	670240963528	33.57
P6950-XL-EL	Z6950 Sensor Assembly	670240963559	78.11
P6950-SRK	Replacement Solenoid	670240963320	62.15
Aerator Options for Aqua-FIT® Series			
P6930-20E	1.5 gpm aerator	670240809130	17.23
P6930-20J	1.5 Laminar gpm	670240809154	17.23
P6930-20L	1.0 gpm aerator	670240809185	17.23
P6930-20K	1.0 Laminar gpm	670240809178	17.23
P6930-20F	0.5 gpm Spray Outlet	670240809147	17.23
P6930-20M	0.35 gpm Spray Outlet	670240809192	17.23
Additional Power Options for Aqua-FIT® Series			
-LL	Lithium Long Life Battery Option		164.55
-ACA	DC Plug In		31.59
-CWB	Connecting Wire for Plug In or Hardwired Applications		5.49
P6000-HW6	Power converter (HW)		72.24

AQUASENSE® E-Z SENSOR-OPERATED FAUCETS

Faucet Ordering Instructions

The models and prices shown on this page are battery faucet prices. AquaSense Z6900 series faucets can be furnished as battery powered, plug-in powered, or hardwired, except the Z6918-XL which is battery only.

To order a plug-in model faucet, add the suffix -ACA (AC Adapter) after the faucet model number, i.e. Z6913-XL-ACA, and then the desired accessories.

To order a hardwire model faucet, add the suffix -CWB (Connecting Wire) after the faucet model number, i.e. Z6915-XL-CWB, and then the desired accessories. On a separate line, order the appropriate number of P6000-HW6 hardwire power converters

One P6000-HW6 will power up to eight Z6900 series faucets.

Note: All faucets are supplied with 1.5 gpm (-E) vandal-proof aerator as standard.

PRODUCT NO.	DESCRIPTION	UPC	LIST PRICE
AquaSense® Z6913 Series - Single Hole Sensor Faucet			
Z6913-XL	w/ 1.5 gpm Aerator	670240381346	684.83
Z6913-XL-GEN	w/ 1.5 gpm Aerator and HydroGenerator	670240383616	1,151.70
Z6913-XL-CP4	w/ 4" Cover Plate	670240497122	735.57
Z6913-XL-MT	w/ Mixing Tee	670240864597	727.23
Z6913-XL-CP4-MT	w/ 4" Cover Plate and Mixing Tee	670240850248	777.97
Z6913-XL-CP8	w/ 8" Cover Plate	670240869486	769.07
Z6913-XL-CP8-MT	w/ 8" Cover Plate and Mixing Tee	670240972698	734.85
Z6913-XL-MV	w/ Mixing Valve	670240385481	781.97
Z6913-XL-CP4-MV	w/ 4" Cover Plate and Mixing Valve	670240389953	832.70
Z6913-XL-CP8-MV	w/ 8" Cover Plate and Mixing Valve	670240000865	866.21
Z6913-XL-CP4-TMV-1	w/ 4" Cover Plate and Thermostatic Mixing Valve	670240845336	980.40
Z6913-XL-CP8-TMV-1	w/ 8" Cover Plate and Thermostatic Mixing Valve	670240871854	1,013.92
Z6913-ADM-XL	w/ Above Deck Mixer	-	878.33
Z6913-XL-ADM-1	w/ Above Deck Mixer and 4" Cover Plate	670240931312	929.78
Z6913-XL-ADM-2	w/ Above Deck Mixer and 8" Cover Plate	-	962.58
AquaSense® Z6915 Series - 4" Centerset Sensor Faucet			
Z6915-XL	w/ 1.5 gpm Aerator	670240381599	712.03
Z6915-XL-GEN	w/ 1.5 gpm Aerator and HydroGenerator	670240384293	1,151.70
Z6915-XL-MT	w/ Mixing Tee	670240706385	754.48
Z6915-XL-MV	w/ Mixing Valve	670240384316	809.22
Z6915-XL-TMV-1	w/ Thermostatic Mixing Valve	670240384583	956.93
AquaSense® Z6918 Series - Single Hole Sensor Faucet			
Z6918-XL	w/ 1.5 gpm Aerator	670240925175	791.62
Z6918-XL-ADM	w/ Above Deck Mixer	670240925793	814.22



PRODUCT NO.	DESCRIPTION	UPC	LIST PRICE
AquaSense® Z6920 Series - Single Hole Gooseneck Sensor Faucet			
Z6920-XL	w/ 1.5 gpm Aerator	670240381902	815.70
Z6920-XL-GEN	w/ 1.5 gpm Aerator and HydroGenerator	670240383654	1,151.70
Z6920-XL-CP4	w/ 4" Cover Plate	670240386051	866.44
Z6920-XL-CP4-MT	w/ 4" Cover Plate and Mixing Tee	670240028524	908.05
Z6920-XL-CP8	w/ 8" Cover Plate	670240381919	899.94
Z6920-XL-CP8-MT	w/ 8" Cover Plate and Mixing Tee	670240029415	941.59
Z6920-XL-MT	w/ Mixing Tee	670240941861	858.15
Z6920-XL-MV	w/ Mixing Valve	670240385573	912.89
Z6920-XL-CP4-MV	w/ 4" Cover Plate and Mixing Valve	670240700192	963.62
Z6920-XL-CP8-MV	w/ 8" Cover Plate and Mixing Valve	670240702981	997.13
Z6920-XL-TMV-1	w/ Thermostatic Mixing Valve	670240447639	1,060.60
Z6920-XL-CP4-TMV-1	w/ 4" Cover Plate and Thermostatic Mixing Valve	670240687417	1,111.32
Z6920-XL-CP8-TMV-1	w/ 8" Cover Plate and Thermostatic Mixing Valve	670240687981	1,144.84
Z6920-XL-ADM	w/ Above Deck Mixer	670240864634	1,009.20
Z6920-XL-ADM-1	w/ Above Deck Mixer and 4" Cover Plate	670240388109	1,060.70
Z6920-XL-ADM-2	w/ Above Deck Mixer and 8" Cover Plate	670240862784	1,093.44
AquaSense® Z6922 Series - Single Hole Wall Mount Gooseneck Sensor Faucet			
Z6922-XL	w/ 1.5 gpm Aerator	670240956407	905.76
Z6922-XL-GEN	w/ 1.5 gpm Aerator and HydroGenerator	670240028555	1,151.70
Z6922-XL-SO	w/ 1.0 gpm Spray Outlet	670240958197	953.91
Z6922-XL-SB	w/ 8" Spout	-	948.10
Z6922-XL-SB-SO	w/ 8" Spout and 1.0 gpm Spray Outlet	-	997.19
AquaSense® Z6930 Series - Single Hole Sensor Faucet			
Z6930-XL	w/1.5 gpm Aerator	670240810419	708.36
Z6930-XL-GEN	w/ 1.5 gpm Aerator and HydroGenerator	670240810495	1,151.70
Z6930-XL-F	w/ 0.5 gpm Aerator	670240812161	708.36
Z6930-XL-CP4	w/ 4" Cover Plate	670240812130	759.09
Z6930-XL-CP4-F	w/ 0.5 gpm Spray Outlet and 4" Cover Plate	670240812222	759.09
Z6930-XL-CWB	w/ Connecting Wire for Plug In or Hardwired Applications	670240812260	713.66
Z6930-XL-CWB-F	w/ Connecting Wire for Plug In or Hardwired Applications and 0.5 gpm Spray Outlet	670240812277	713.66
Z6930-XL-CP8	w/ 8" Cover Plate	670240812246	792.62
Z6930-XL-MT	w/ Mixing Tee	670240812116	750.80
Z6930-XL-CP4-MT	w/ 4" Cover Plate and Mixing Tee	670240812284	801.55
Z6930-XL-CP8-MT	w/ 8" Cover Plate and Mixing Tee	670240812291	835.06
Z6930-XL-MV	w/ Mixing Valve	670240812307	805.52
Z6930-XL-CP4-MV	w/ 4" Cover Plate and Mixing Valve	670240812314	856.25
Z6930-XL-CP8-MV	w/ 8" Cover Plate and Mixing Valve	670240812321	889.77
Z6930-XL-TMV-1	w Thermostatic Mixing Valve	670240812338	953.23
Z6930-XL-CP4-TMV-1	w/ 4" Cover Plate and Thermostatic Mixing Valve	670240812345	1,003.97
Z6930-XL-ADM	w/ Above Deck Mixer	670240812352	901.86
Z6930-XL-ADM-1	1.5 gpm	670240812369	953.35
Z6930-XL-ADM-2	w/ Above Deck Mixer and 8" Cover Plate	670240812376	657.09



Z6920-XL



Z6920-XL-GEN



Z6922-XL
Wall Mount



Z6922-XL-GEN



Z6930-XL



Z6930-XL-GEN

AQUASENSE® FAUCET ACCESSORIES

PRODUCT NO.	DESCRIPTION	UPC	LIST PRICE
Power Converters for Sensor Faucets			
P6900-ACA	6 VDC A/C Plug-in Adapter for Battery Faucets Z6913-XL, Z6915-XL, Z6920-XL, Z6922-XL, Z6930-XL, Z6950-XL, Z6950-XL-IM, Z6951-XL and Z6955-XL	670240582446	32.21
P6900-CWB	Connecting Wire for Power Converter Z6913-XL, Z6915-XL, Z6920-XL, Z6922-XL, Z6930-XL, Z6950-XL, Z6950-XL-IM, Z6951-XL and Z6955-XL	670240586000	5.60
P6000-HW6	Hardwired Power Converter for Z6913-XL, Z6915-XL, Z6920-XL, Z6922-XL, Z6930-XL, Z6950-XL, Z6950-XL-IM, Z6951-XL and Z6955-XL	670240533608	72.24
Aerators for Z6913-XL and Z6915-XL			
P6900-20E	1.5 gpm Standard Vandal-Resistant Aerator	670240606852	25.51
P6900-20E-CG	1.5 gpm AntiMicrobial Vandal Resistant Aerator	670240356580	25.51
P6900-20F	0.5 gpm Vandal-Resistant Spray Outlet	670240600850	25.51
P6900-20J	1.5 gpm Vandal-Resistant Laminar Flow Outlet	670240245266	25.51
P6900-20K	1.0 gpm Vanda-Resistant Laminar Flow Outlet	670240252936	25.51
P6900-20L	1.0 gpm Vanda-Resistant Aerator	670240261204	25.51
P6900-20M	0.35gpm Vandal-Resistant Spray Outlet	670240290334	25.51
P6900-20N	0.5 gpm Vandal-Resistant Laminar Outlet	670240834163	25.51
Slim Aerators for Z6913-XL and Z6915-XL			
P6900-20ES	1.5 gpm Aerator	670240818750	17.23
P6900-20FS	0.5 gpm Spray Outlet	670240822481	17.23
P6900-20JS	1.5 gpm Laminar Flow Outlet	670240822573	17.23
P6900-20LS	1.0 gpm Aerator	670240822580	17.23
P6900-20MS	0.35 gpm spray outlet	670240822603	17.23
Aerators for Z6920-XL and Z6922-XL			
P6900-20E-GN	1.5 gpm Standard Vandal-Resistant Aerator	670240261389	47.73
P6900-20E-GN-CG	1.5 gpm AntiMicrobial Vandal Resistant Aerator	670240356566	48.11
P6900-20F-GN	0.5 gpm Vandal-Resistant Spray Outlet	670240609099	47.73
P6900-20-GN	1.5 gpm Vandal-Resistant Laminar Flow Outlet	670240417052	47.73
P6900-20J-GN	1.0 gpm Vanda-Resistant Laminar Flow Outlet	670240245273	47.73
P6900-20K-GN	1.0 gpm Vanda-Resistant Aerator	670240258860	47.73
P6900-20L-GN	0.5 gpm Vandal-Resistant Laminar Outlet	670240442405	47.73
P6900-20M-GN	0.35gpm Vandal-Resistant Aerator	670240709058	47.73
Aerators for Z6930-XL, Z6950-XL, Z6950-XL-IM and Z6951-XL			
P6930-20E	1.5 gpm Aerator	670240809130	17.23
P6930-20F	0.5 gpm Spray Outlet	670240809147	17.23
P6930-20J	1.5 gpm Laminar Flow Outlet	670240809154	17.23
P6930-20K	1.0 gpm Laminar Flow Outlet	670240809178	17.23
P6930-20L	0.5 gpm Laminar Outlet	670240809185	17.23
P6930-20M	0.35gpm Aerator	670240809192	17.23
P6930-20N	0.5 gpm Laminar Outlet	670240834156	17.57



P6900-20E



P6900-20F



P6900-20F-GN



P6900-S0

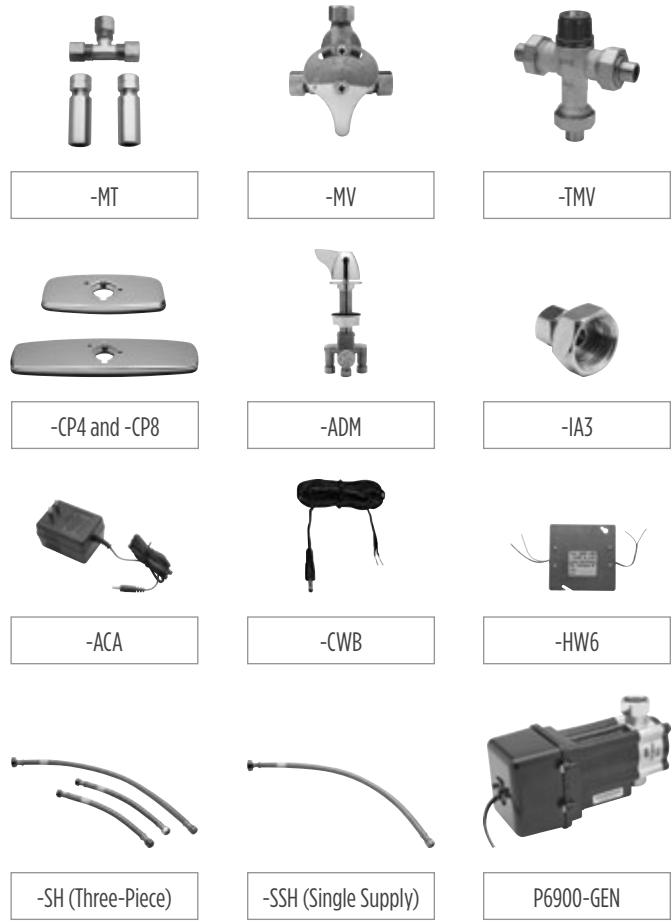
PRODUCT NO.	DESCRIPTION	UPC	LIST PRICE
Mixing Tee and Mixing Valves			
P6900-ADM-XL	Above Deck Mixing Valve (XL)	670240861817	193.52
P6900-ADM-1-XL	Above Deck Mixing Valve (XL) w 4" Cover Plate	670240861824	193.52
P6900-ADM-2-XL	Above Deck Mixing Valve (XL) w 8" Cover Plate	670240861831	193.52
P6900-MT-XL	Mixing Tee Assembly with Back Checks	670240847248	41.64
P6900-MV-XL	Lead-Compliant Manual Mixing Valve	670240387010	97.19
P6900-TMV-XL	Thermostatic Mixing Valve for Multiple Faucets – 8 gpm Flow	670240950849	253.07
P6900-TMV-1-XL	Lead Compliant Thermostatic Mixing Valve for Single Faucet	670240387003	240.24
Goosenecks			
P6900-GA	3-1/2" Centerline Gooseneck Spout (With 1.5 gpm Vandal-Proof Aerator)	670240554153	30.59
P6900-GB	5-3/8" Centerline Gooseneck Spout (With 1.5 gpm Vandal-Proof Aerator)	670240537750	33.05
P6900-GC	8" Centerline Gooseneck Spout (With 1.5 gpm Vandal-Proof Aerator)	670240563377	42.33
Cover Plates and Adapters			
P6900-CP4	4" Cover Plate	670240586758	50.72
P6900-CP8	8" Cover Plate	670240586765	84.27
P6900-MV-ADAP	Adaptor for MV, MT and TMV options	670240847583	17.12
P6900-IA3	1/2" x 3/8" Faucet Shank Adapter	670240424104	11.53
Power Supplies			
P6900-ACA-BA	6 VDC A/C Plug-In Adapter	670240582446	32.21
P6900-CWB	Connecting Wire for Power Converter	670240586000	5.60
P6000-HW6	6 VDC A/C Hardwire Power Converter	670240533608	72.24
P6000-HW9	9 VDC A/C Hardwire Power Converter	670240357754	72.24
P6000-HW12	12 VDC Hardwire Power Converter	-	73.31
Hoses			
P6900-SH	Three-Piece Supply Hose Assembly	670240415935	31.87
P6900-SSH	Single Supply Hose (XL)	670240432789	17.12
Hydro Generator			
P6900-GEN	Hydro Generator	670240404151	434.40



When ordering parts, always list product number and description.
 XL suffix denotes a Lead-free product.

For additional product information, please visit www.zurn.com.

SUFFIX	DESCRIPTION	LIST PRICE
Z6900 Series - Accessories		
-ACA	6 VDC A/C Plug-in Adapter for Battery Faucets Z6913-XL, Z6915-XL, Z6920-XL, Z6922-XL, Z6930-XL, Z6950-XL, Z6950-XL-IM, Z6951-XL and Z6955-XL	32.21
-ADM	Above-Deck Mixer	193.52
-ADM-1	Above-Deck Mixer with CP4	245.02
-ADM-2	Above-Deck Mixer with CP8	277.78
-CP4	4" Cover Plate	50.72
-CP8	8" Cover Plate	84.27
-CWB	6 VDC A/C Plug-in Adapter for Battery Faucets Z6913-XL, Z6915-XL, Z6920-XL, Z6922-XL, Z6930-XL, Z6950-XL, Z6950-XL-IM, Z6951-XL and Z6955-XL	5.32
-DSA	Drug Testing Applications	69.11
-E	1.5 gpm Vandal-Proof Aerator	-
-F	0.5 gpm Vandal-Proof Aerator	-
-GEN	EcoVantage Hydro Generator Power	442.83
-H4	4" Wrist Blade Handle for ADM	15.11
-IA3	1/2" x 3/8" Compression Adapter	11.53
-J	1.5 gpm Laminar Flow	-
-K	1.0 gpm Laminar Flow	-
-L	1.0 gpm Vandal-Proof Aerator	-
-M	0.35 gpm spray outlet	-
-MT	Mixing Tee Assembly with Back Checks	42.45
-MV	Manual Mixing Valve	97.19
-SB	Surgical Bend	40.43
-SH	Three-Piece Supply Hose Assembly	32.49
-SO	Spray Outlet (Rose Spray)	49.10
-SSH	Single Supply Hose	17.45
-TMV	Thermostatic Mixing Valve for Multiple Faucets - 8 gpm Flow	257.99
-TMV-1	Thermostatic Mixing Valve for Single Faucet	244.90
-XT	Extended Range	14.99



AQUASENSE® FAUCET CROSS REFERENCE GUIDE

Zurn Product No.	Sloan® Product No.
Electronic Faucets	
Z6930-XL	EFX-250
Z6913-XL-ACA	ETF-80-P
Z6913-XL	ETF-80-B
Z6913-XL-ACA	ETF-880-P
Z6913-XL	ETF-880-B
Z6922-XL-ACA	ETF-500-P
Z6922-XL	ETF-500-B
Z6915-XL-ACA	ETF-600-P
Z6915-XL	ETF-600-B
Z6913-XL-ACA	ETF-610-P
Z6913-XL	ETF-610-B
Z6913-XL-ACA	ETF-660-P
Z6913-XL	ETF-660-B
Z6920-XL-ACA	ETF-700-P
Z6920-XL	ETF-700-B
Z6920-XL-ACA-SB	ETF-700S-P
Z6920-XL-SB	ETF-700S-B
Z6920-XL-ACA	ETF-770-P
Z6920-XL	ETF-770-B
Z6918-XL	EAF-100-P
Z6918-XL-ADM	EAF-100-ISM-P
Z6918-XL	EAF-200-P
Z6918-XL-ADM	EAF-200-ISM-P
Z6913-XL	SF-2100
Z6920-XL-ACA	SF-2200
Z6915-XL-ACA	SF-2300

Zurn Product No.	Sloan® Product No.
Battery Faucets	
Z6913-XL	EBF-85
Z6913-XL-ACA	EBF-85R
Z6913-XL	EBF-187
Z6913-XL-ACA	EBF-187R
Z6922-XL	EBF-550
Z6913-XL	EBF-615
Z6915-XL	EBF-650
Z6920-XL	EBF-750
Z6920-XL-SB	EBF-750S
Z6918-XL	EAF-150
Z6918-XL-ADM	EAF-150 ISM
Any E-Z Lav EcoVantage® Faucet	EAF-275
Any E-Z Lav EcoVantage® Faucet w/ ADM	EAF-275 ISM
Z6918-XL	EAF-250
Z6918-XL-ADM	EAF-250 ISM
Z6913-XL	SF-2150
Z6920-XL	SF-2250
Z6915-XL	SF-2350
Zurn HydroVantage™ Faucets - Hydro Turbine Powered*	
*Ten-year battery life.	
Z6913-XL-GEN	TEL 36S10/60
Z6915-XL-GEN	-
Z6920-XL-GEN	TEL 36610/60
Z6922-XL-GEN	-
Z6930-XL-GEN	TEL 36S10

For additional product information, please visit www.zurn.com.

When ordering parts, always list product number and description.

XL suffix denotes a Lead-free product.

AQUASPEC® FAUCET BUILDER

How to order Zurn AquaSpec component parts to design your own faucet.



Z8 12 B 4 - 3F-(options)

Step 1 - Select Body and Operating Internals (Digits 2 and 3)	
Z81100	4" Centerset Lavatory Faucet
Z81100-P	4" Centerset Lavatory Faucet with Pop-Up Drain
Z81200	4" Centerset Gooseneck Faucet
Z81200-P	4" Centerset Gooseneck Faucet with Pop-Up Drain
Z82500	Single Laboratory Faucet
Z82600	Double Laboratory Faucet
Z83100	6" to 18" Widespread Adjustable Faucet
Z83100-ICT	8" Widespread Faucet with Interconnecting Copper Supply Tubes
Z84100	Service Sink Faucet with 2-1/2" Swivel Inlets and Integral Stops
Z84200	Sink Faucet with 7-1/4"-8-3/4" Adjustable Short Swivel Inlets
Z87100	Cast 8" Center Deck Kitchen Faucet
Z87100-HS	Cast 8" Center Deck Kitchen Faucet with Hose and Spray

Step 2 - Select Spout Selection (Digit 4)	
A	3-1/2" Centerline Gooseneck Spout
B	5-3/8" Centerline Gooseneck Spout
C	8" Centerline Gooseneck Spout
D	7-1/2" Cast Vacuum Breaker Spout with Bottom Support and Pipe Brace, Threaded Outlet and Pail Hook
E	Wall-Mounted 7-1/2" Cast Spout, Top Brace and Pail Hook
F	6" Cast Spout
G	8" Cast Spout
H	12" Tubular Spout
I	14" Tubular Spout
J	9-1/2" Tubular Spout
K	13" Double Jointed Spout
L	2-1/2" Vacuum Breaker Spout with 3/4" Threaded Outlet
M	6" Vacuum Breaker Spout with 3/4" Threaded Outlet, Brace and Pail Hook
N	6" Vacuum Breaker Spout with 3/4" Threaded Outlet and Pail Hook
P	2-1/2" Vacuum Breaker Spout with 3/8" Threaded Outlet
R	5" Low Profile Spout with Aerated Outlet
S	8" Bent Riser Spout with Aerated Outlet
T	4-1/2" Centerline Vacuum Breaker Spout with Aerated Outlet
U	6" Centerline Vacuum Breaker Spout with Aerated Outlet
V	8" Centerline Vacuum Breaker Spout with Aerated Outlet
W	Pre-rinse 3/8" x 44" Riser with a 7-3/8" Swing Arm, 24" Stainless Steel Hose and Pipe Support
X	Pre-rinse 3/8" x 23" Riser with a 36" Stainless Steel Spring Hose and Pipe Support
Y	6" Tubular Spout

Step 3 - Select Handle Selection (Digit 5)	
1	2-1/2" Vandal-Resistant Metal Lever Handle
2	Vandal-Resistant Metal Four Arm Handle
3	Vandal-Resistant Metal Dome Lever Handle
4	4" Vandal-Resistant Metal Wrist Blade Handle
6	6" Vandal-Resistant Metal Wrist Blade Handle
7	Metal Tee Handle

Step 4 - Select Aerator and Options (Everything after the "-")	

AquaSpec faucets are composed of a body, spout, handle, aerator, and available options. These components come together as a single product sku by following the steps below. Available options are laid out on the following pages.

Step 1 - Select Faucet Body and Operating Internals (Digits 2 and 3)

Step 2 - Select Spout Type* (Digit 4)

When spout is not required, specify a "zero."

Step 3 - Select Handle Type* (Digit 5)

When handle is not required, specify a "zero."

Step 4 - Select Aerator and Options (Everything after the "-")

-1F Aerator regularly furnished (-1M for the "S" spout or G60525 for the -T, -U and -V spouts) unless otherwise specified. Neither -1F or -1M is required in product ID when ordering. All others should be noted.

When ordering parts, always list product number and description.
XL suffix denotes a Lead-free product.

For additional product information, please visit www.zurn.com.

Step 1 - Select Faucet Body and Operating Internals (Digits 2 and 3)

PRODUCT NO.	DESCRIPTION	UPC
Z81100-XL	4" Centerset Lavatory Faucet	670240501737
Z81100-XL-P	4" Centerset Lavatory Faucet and Pop-Up Drain	670240501720
Z81200-XL	4" Centerset Gooseneck Faucet	670240365315
Z81200-XL-P	4" Centerset Gooseneck Faucet and Pop-Up Drain	670240501713
Z82500-XL	Single Laboratory Faucet	670240691810
Z82600-XL	Double Laboratory Faucet	670240480735
Z83100-XL	6" to 18" Widespread Adjustable Faucet	670240365353
Z83100-XL-ICT	6" to 18" Widespread Adjustable Faucet with Interconnecting Copper Supply Tube	670240500617
Z84100-XL	Service Sink Faucet with 2-1/2" Swivel Inlets and Integral Stops	670240480766
Z84200-XL	Sink Faucet with 7-1/4"-8-3/4" Adjustable Short Swivel Inlets	670240501843
Z84300	Sink Faucet with 7-1/4"-8-3/4" Adjustable Short Swivel Inlets	670240579378
Z87100-XL	Cast 8" Center Deck Kitchen Faucet	670240365384
Z87100-XL-HS	Cast 8" Center Deck Kitchen Faucet with Hose and Spray	670240501393



Z81100-XL



Z81100-XL-P



Z81200-XL



Z81200-XL-P



Z82500-XL



Z82600-XL



Z83100-XL



Z83100-XL-ICT



Z84100-XL



Z84200-XL



Z84300



Z87100-XL



Z87100-XL-HS

Step 2 - Select Spout Type (Digit 4)

PRODUCT NO.	DESCRIPTION	SUFFIX	UPC
G67851	3-1/2" Centerline Gooseneck Spout	A	670240358737
G67852	5-3/8" Centerline Gooseneck Spout	B	670240358744
G67853	8" Centerline Gooseneck Spout	C	670240358751
G67890	6" Cast Brass Spout	F	670240370869
G67891	8" Cast Brass Spout	G	670240365377
G67892	12" Tubular Brass Swing Spout	H	670240370876
G67893	14" Tubular Brass Swing Spout	I	670240370883
G67894	9-1/2" Tubular Brass Swing Spout	J	670240374751
G66619	18" Tubular Brass Spout	J-18	670240583535
G67895	13" Double-Jointed Brass Swing Spout	K	670240370890
G62494	18" Double-Jointed Spout	K-DJ18	670240460201
G60526	2-1/2" Vacuum Breaker Spout with Integral 3/4" Hose Thread	L	670240414570
G60556	6" Centerline Cast Vacuum Breaker Spout with 3/4" Hose Thread	N	670240414617
G67963	8" Bent Riser Spout	S	670240446373
G67990	4-1/2" Centerline Vacuum Breaker Spout	T	670240486539
G67991	6" Centerline Vacuum Breaker Spout	U	670240486546
G67992	8" Centerline Vacuum Breaker Spout	V	670240486553
G67964	6" Tubular Brass Spout	Y	670240446380



G67851 - Spout "A"



G67852 - Spout "B"



G67853 - Spout "C"



G67890 - Spout "F"



G67891 - Spout "G"



G67892 - Spout "H"



G67893 - Spout "I"



G67894 - Spout "J"



G67895 - Spout "K"



G60526 - Spout "L"



G60556 - Spout "N"



G67963 - Spout "S"



G67990 - Spout "T"



G67991 - Spout "U"



G67992 - Spout "V"



G67964 - Spout "Y"

Step 3 - Select Handle Type (Digit 5)

PRODUCT NO.	DESCRIPTION	SUFFIX	UPC
G61071	One 2-1/2" Lever Handle	1	670240418479
G60501	Two 2-1/2" Lever Handles	1	670240414495
G61072	One 3" Diameter Four-Arm Handle	2	670240418486
G60503	Two 3" Diameter Four-Arm Handles	2	670240414501
G60573	One 2" Dome Lever Handle	3	670240418554
G60515	Two 2" Dome Lever Handles	3	670240414549
G60574	One 4" Wrist Blade Handle	4	670240418561
G60504	Two 4" Wrist Blade Handles	4	670240414518
G60576	One 6" Wrist Blade Handle	6	670240418509
G60508	Two 6" Wrist Blade Handles	6	670240414525



G60501 - Handle "1"



G60503 - Handle "2"



G60515 - Handle "3"



G60504 - Handle "4"



G60508 - Handle "6"



G61701 - Handle "1"



G61702 - Handle "2"



G60573 - Handle "3"



G60574 - Handle "4"



G60576 - Handle "6"



G66684

Step 4 - Select Aerators and Options (Everything after the “-”)

-1F Aerator regularly furnished (-1M for the “S” spout or G60525 for the -T, -U and -V spouts) unless otherwise specified. Neither -1F or -1M is required in product ID when ordering. All others should be noted.

PRODUCT NO.	DESCRIPTION	SUFFIX	FLOW RATE	UPC
Female Aerators				
G63504	Pressure Compensating Female Aerator	1F	2.2 gpm	670240511781
G62619	Vandal-Resistant Female Aerator	2F	.5 gpm	670240426832
G62620	Vandal-Resistant Female Spray Outlet	3F	2.2 gpm	670240426696
G62621	Vandal-Resistant Female Laminar Flow Outlet	4F	2.2 gpm	670240426733
G63509	Female Rosette Spray	5F	2.0 gpm	670240511835
G63258	Female Serrated Tip for a Male Spout	6F	-	670240458017
G66696	Pressure Compensating Female Spray Outlet	7F	1.0 gpm	670240659469
G65509	Female Aspirator Pump for Goosenecks	8F	2.0 gpm	670240540811
G63511	Female Rotating Aerator	9F	2.0 gpm	670240511859
G63413	3/4" Female Garden Hose Connection	10F	-	670240499515
G63512	Female Threaded Single Screen Outlet	11F	-	670240511866
G66601	Female Spout End Vacuum Breaker for Goosenecks	12F	2.2 gpm	670240545588
G67774	Female 2.2 gpm Pressure Compensating Laminar Flow Outlet	14F	-	670240611771
G66697	Vandal-Resistant Pressure Compensating Female Spray Outlet	16F	1.0 gpm	670240664241
G66695	Vandal-Resistant Pressure Compensating Female Aerator	17F	1.5 gpm	670240659452
G66700	Vandal-Resistant Pressure Compensating Female Laminar Flow	18F	1.5 gpm	670240664272
G67795	Anti-Microbial Female Laminar Flow Outlet	19F	1.5 gpm	670240399808
G67816	Female Laminar Flow Outlet	21F	1.0 gpm	670240232983
G67817	Vandal-Resistant Female Laminar Flow Outlet	22F	1.0 gpm	670240232990
G67925	Female Aerator	23F	1.5 gpm	670240379060
G68013	Non-Aerated Female Flow Outlet	24F	.35 gpm	670240494275
G68015	Vandal Resistant Non-Aerated Female Flow Outlet	25F	.35 gpm	670240494305
G68047	Female Laminar Flow Outlet	27F	.5 gpm	670240828551
G68049	Vandal Resistant Female Laminar Flow Outlet	28F	.5 gpm	670240828575



G63504 - Aer "-1F"



G62619 - Aer "-2F"



G62620 - Aer "-3F"



G62621 - Aer "-4F"



G63509 - Aer "-5F"



G63258 - Aer "-6F"



G66696 - Aer "-7F"



G63511 - Aer "-9F"



G63413 - Aer "-10F"



G63512 - Aer "-11F"



G67774 - Aer "-14F"



G66625 - Aer "-15F"



G66697 - Aer "-16F"



G66695 - Aer "-17F"



G66700 - Aer "-18F"



G67795 - Aer "-19F"



G67816 - Aer "-21F"



G67817 - Aer "-22F"



G67925 - Aer "-23F"



G68013 - Aer "-24F"



G68015 - Aer "-25F"

PRODUCT NO.	DESCRIPTION	SUFFIX	FLOW RATE	UPC
Male Aerators				
G63505	Pressure Compensating Male Aerator	1M	2.2 gpm	670240511798
G63506	Vandal-Resistant Male Aerator	2M	2.2 gpm	670240511804
G63507	Vandal-Resistant Male Spray Outlet	3M	0.5 gpm	670240511811
G63508	Vandal-Resistant Male Laminar Flow Outlet	4M	2.2 gpm	670240511828
G62753	Male Rosette Spray	5M	2.0 gpm	670240452268
G61318	Male Serrated Tip for a Female Spout	6M	-	670240418431
G63561	13/16"-27 Male Spray Outlet	7M	1.0 gpm	670240526679
G65508	Male Aspirator Pump for Laboratory Spouts (T, U, V)	8M	-	670240540828
G63411	Male Rotating Aerator	9M	2.0 gpm	670240499478
G63414	3/4" Male Garden Hose Connection	10M	-	670240499522
G63384	Male Threaded Single Screen Outlet	11M	-	670240472433
G66602	Male Spout End Vacuum Breaker for Laboratory Spouts (T, U, and V)	12M	-	670240545595
G60525	Aerator P Adapter for the T, U, and V Spouts	13M	2.0 gpm	670240418615
G67775	Pressure Compensating Laminar Flow Outlet	14M	2.2 gpm	670240611788
G66698	Vandal-Resistant Pressure Compensating Male Spray Outlet	15M	-	670240664258
G66699	Vandal-Resistant Pressure Compensating Male Aerator	16M	1.0 gpm	670240664265
G66701	Vandal-Resistant Pressure Compensating Male Laminar Flow	17M	1.5 gpm	670240664289
G67796	Anti-Microbial Male Laminar Flow Outlet	18M	1.5 gpm	670240399815
G67814	Male Laminar Flow Outlet	19M	1.5 gpm	670240232969
G67815	Vandal-Resistant Male Laminar Flow Outlet	21M	1.0 gpm	670240232976
G67924	Male Aerator	22M	1.0 gpm	670240379046
G68012	Non-Aerated Male Flow Outlet	23M	1.5 gpm	670240494244
G68014	Vandal Resistant Non-Aerated Male Flow Outlet	24M	0.35 gpm	670240494282
G68046	Male Laminar Flow Outlet	25M	0.35 gpm	670240828544
G68048	Vandal Resistant Male Laminar Flow Outlet	27M	.5 gpm	670240828568



AQUASPEC® COMMERCIAL PRODUCT SUFFIXES

SUFFIX	DESCRIPTION	LIST PRICE
-AF	Add-On Faucet for Pre-Rinse Units (Same as Z800J2-AF)	199.65
-AMF	Anti-microbial Handle (2-1/2" Lever Handles)	37.26
-AMF	Anti-microbial Handle (4" Wrist Blade Handles)	62.03
-CP4	Chrome-Plated 4" Cover Plate	42.18
-CP8	Chrome-Plated 8" Cover Plate	81.66
-CR	12" [305mm] Flexible Closet Riser	N/C
-CS	Check Stops for Back-Mounted and Deck-Mounted Sink Faucets	49.91
-CS	Check Stops for Gas Cocks	21.79
-CST	3/8" Copper Supply Tubes for Z822, Z823, Z824, and Z826 Series Only	18.17
-CWO	Cold Water Only for Widespreads	-45.21
-D13	Glass Filler (Z83500) with a 13" Height	40.17
-DJ18	Used with 'K' Spout for 18" Length	1.74
-DM	Deck Mount (Available for Z841 and Z842 Faucets Only)	45.38
-DS	Dual Service for Lab Turrets	99.83
-EVB	Elevated 1/2" Vacuum Breaker with Swivel Inlets (Same as Z80000-EVB)	212.30
-FC2.0	2.0 gpm [7.6L] Laminar Flow Control in Base of Spout for Goosenecks Only/Plain End is Provided with Option	N/C
-FC1.5	1.5 gpm [5.7 L] Laminar Flow Control in Base of Spout for Goosenecks Only/Plain End is Provided with Option	N/C
-FC1.0	1.0 gpm [3.8 L] Laminar Flow Control in Base of Spout for Goosenecks Only/Plain End is Provided with Option	N/C
-FC0.5	0.5 gpm [1.9 L] Flow Control in Base of Spout for Goosenecks Only/Plain End is Provided with Option	N/C
-G	1-1/4" [32mm] Grid Strainer Drain	35.91
-GH	1-1/4" [32mm] Offset Handicap Grid Strainer Drain	67.16
-HCT	Decorative Hot/Cold Index	2.49
-HK	Supply Ell Hose Hook (Same as Z80000-HK)	56.24
-HS	Hose and Spray for Kitchen Faucets (Z823, Z824, Z831, Z871 Only)	49.00
-HS6	6' Hose and Spray for Kitchen Faucet (Z831, Z871 Only)	67.92
-H24	24" Stainless Steel Hose for Pre-Rinse	76.26
-H36	36" Stainless Steel Hose for Pre-Rinse	87.12
-H48	48" Stainless Steel Hose for Pre-Rinse	92.58
-H60	60" Stainless Steel Hose for Pre-Rinse	99.83
-H72	72" Stainless Steel Hose for Pre-Rinse	107.13
-ICT	Interconnecting Copper Supply Tubes (Widespreads Only)	N/C
-IN	Metering Institutional Handle	30.51
-IS	Integral Stops for Concealed Shower Valve Unit	90.80
-J18	18" Centerline Tubular Brass Swing Spout	39.64
-LR	12" [305mm] Flexible Lavatory Riser	N/C
-LSI	2-1/2" [64mm] Long Swivel Inlets with Integral Stops	49.91
-LVB	Less Vacuum Breaker (For D and M Spouts)	-35.65
-MY	Mixing Yoke	25.48
-MYCS	Mixing Yoke with Check Stops	59.92
-P	1-1/4" [32mm] Pop-Up Drain	50.84
-PE	Plain End (For D Spout Only)	N/C
-PR1	Pre-Rinse Spray Head with Rubber Bumper Spray Outlet and Self-Closing Valve	N/C
-PR2	Pre-Rinse with Angled Spray Head, Rubber Bumper Spray Outlet and Self-Closing Valve	47.53
-PR3	Pre-Rinse with Angled Aerated Outlet and Self-Closing Valve	20.75
-PSH	Pre-Rinse Spray Head Hook	17.30
-PT	1-1/4" [32mm] Cast Brass P-Trap with a 7-1/2" [191mm] Long 17-Gauge Wall Bend	49.91
-RB	Rough Brass (Not available for all faucets.)	-9.03

SUFFIX	DESCRIPTION	LIST PRICE
-RS	Riser Support Bracket for Pre-Rinse Riser Tube 3/8" (Same as Z80000-RS)	-43.05
-RC	Rough Chrome Plated (Not available for all faucets.)	-32.29
-RKR	Metering ADA Compliant Rocker Handle	39.16
-R23	Pre-Rinse 3/8" x 23" Riser Tube	1.65
-SE	Supply Ell (Same as Z80000-SE)	52.62
-SH	Bedpan Spray with 4' Vinyl Hose, Rubber Bumper Spray Outlet and Insulated Handle	99.07
-SH1	Bedpan Spray with 4' Vinyl Hose, Rubber Bumper Spray Outlet and Insulated Handle	102.10
-SH2	Bedpan Spray with 4' Vinyl Hose, Rubber Bumper Angled Spray Outlet and Insulated Handle	114.05
-SH3	Bedpan Spray with 4' Vinyl Hose, Rubber Bumper Angled Spray Outlet and Insulated Handle with Self-Closing Valve	243.34
-SH4	Bedpan Spray with 4' Vinyl Hose, Rubber Bumper Angled Spray Outlet and Self-Closing Valve	220.63
-SK	3/8" Male x 3" Male Shank with Hardware (Lab Turret) - 2" Installed Length	21.79
-SK1	3/8" Male x 4-3/4" Male Shank with Hardware (Lab Flange) - 3-3/4" Installed Length	23.64
-SK2	Pair of 2-13/16" Long Shanks with 1/2" NPT Male Outlet, 1/2" NPSM Coupling Nut Inlet	47.16
-SSI	3/8" [10mm] Long Short Swivel Inlets	-32.29
-TMV-4P	Aqua-Gard Thermostatic Mixing Valve	129.46
-TW	Third Waterway for Widespreads Only	59.76
-TWM	Thin Wall Mount for 2" Wall Mount Installation on Z812, Z871 Series	79.01
-VB	In-Line Vacuum Breaker for 3/4" Hose Thread Sill Faucets and 3/4" Hose Outlets	50.84
-VC	Volume Control for Wall-Mounted Foot Pedal Valve (Same as Z80000-VC)	132.38
-VH24	24" Vinyl Hose for Bedpan Washers	72.14
-VH36	36" Vinyl Hose for Bedpan Washers	84.14
-VH48	48" Vinyl Hose for Bedpan Washers	104.69
-VH60	60" Vinyl Hose for Bedpan Washers	115.19
-VH72	72" Vinyl Hose for Bedpan Washers	130.92
-WHK	Wall Hook for Service Sink Hoses	29.96
-WHK1	Wall Hook for Bedpan Washer Hoses	67.16
-WM	Wall Mounted for Z812 and Z871 Series	60.84
-WM	Wall Mounted for Z82800 Series	54.46
-WM	Wall Mounted for Z83500 Series	-46.94
-IB	One Low Pressure Gas Valve with Indexes for Turret Combo	36.45
-IF	2.2 gpm [8.3 L] Pressure Compensating Female Aerator	12.71
-IM	2.2 gpm [8.3 L] Pressure Compensating Male Aerator	12.71
-2B	Two Low Pressure Gas Valves with Indexes for Turret Combo	77.17
-2F	2.2 gpm [8.3 L] Vandal-Resistant Female Aerator	16.38
-2M	2.2 gpm [8.3 L] Vandal-Resistant Male Aerator	16.38
-2XT	2" Extension for Service Sink Faucets	63.54
-3B	Three Low Pressure Gas Valves with Indexes for Turret Combo	115.73
-3F	.5 gpm [1.9 L] Vandal-Resistant Female Spray Outlet	16.38
-3M	.5 gpm [1.9 L] Vandal-Resistant Male Spray Outlet	16.38
-4B	Four Low Pressure Gas Valves with Indexes for Turret Combo	154.28
-4F	2.2 gpm [8.3 L] Vandal-Resistant Female Laminar Flow	21.79
-4M	2.2 gpm [8.3 L] Vandal-Resistant Male Laminar Flow	21.79
-5F	2.0 gpm [7.6 L] B94 Female Rosette Spray Outlet	27.26
-5H	5' [152cm] Long Vinyl Hose Service Sink Hose w/3/4" Hose Connection	29.10
-5M	2.0 gpm [7.6 L] Male Rosette Spray Outlet	27.26

When ordering parts, always list product number and description.
XL suffix denotes a Lead-free product.

For additional product information, please visit www.zurn.com.

SUFFIX	DESCRIPTION	LIST PRICE
-5XT	5" Extension for Service Sink Faucets	99.83
-6F	Serrated Tip for Female Spout	20.02
-6M	Serrated Tip for Laboratory Spouts (T, U, and V)	20.02
-7F	1.0 [3.8 L] Pressure Compensating Female Spray Outlet	12.71
-7M	1.0 [3.8 L] Pressure Compensating Male Spray Outlet	12.71
-8F	Female Aspirator Pump for Goosenecks	99.83
-8M	3/8" NPT Male Aspirator Pump for Laboratory Spouts (T, U, and V)	99.83
-9F	2.0 gpm [7.6 L] Female Rotating Aerator	24.50
-9M	2.0 gpm [7.6 L] Male Rotating Aerator	24.50
-10F	3/4" [19mm] Female Garden Hose Connection (Recommended for Vacuum Breaker Spouts)	12.71
-10M	3/4" [19mm] Male Garden Hose Connection (Recommended for Vacuum Breaker Spouts)	12.71
-11F	Female Threaded Single Screen Outlet	12.71
-11M	Male Threaded Single Screen Outlet	12.71
-12F	Spout End Vacuum Breaker for Gooseneck Spouts	72.62
-12M	Spout End Vacuum Breaker for Laboratory Spouts (T, U, and V)	72.62
-14F	2.2 gpm [8.3 L] Pressure Compensating Female Threaded Laminar Flow	16.38
-14M	2.2 gpm [8.3 L] Pressure Compensating Male Threaded Laminar Flow	16.38
-15F	Full Flow Female Outlet	12.71
-15M	Full Flow Male Outlet	12.71
-16F	1.0 gpm [3.8 L] Vandal-Resistant Female Spray Outlet	19.85

SUFFIX	DESCRIPTION	LIST PRICE
-16M	1.0 gpm [3.8 L] Vandal-Resistant Male Spray Outlet	19.85
-17F	1.5 gpm [5.7 L] Vandal-Resistant Female Aerator	18.44
-17M	1.5 gpm [5.7 L] Vandal-Resistant Male Aerator	18.44
-18F	1.5 gpm [5.7 L] Pressure Compensating Female Laminar Flow	21.41
-18FH	18" Long Stainless Steel Flex Hoses for the Z822, Z823, Z824, and Z826 Series Only	27.26
-18M	1.5 gpm [5.7 L] Pressure Compensating Male Laminar Flow	21.41
-19F	1.5 gpm [5.7 L] Anti-Microbial Female Laminar Flow Outlet	34.08
-19M	1.5 gpm [5.7 L] Anti-Microbial Male Laminar Flow Outlet	34.08
-21F	1.0 gpm [3.8 L] Female Laminar Flow Outlet	21.86
-21M	1.0 gpm [3.8 L] Male Laminar Flow Outlet	21.86
-22F	1.0 gpm [3.8 L] Vandal-Resistant Female Laminar Flow Outlet	24.50
-22M	1.0 gpm [3.8 L] Vandal-Resistant Male Laminar Flow Outlet	24.50
-23F	1.5 gpm [5.7 L] Female Aerator	21.10
-23M	1.5 gpm [5.7 L] Male Aerator	21.10
-140	140° Restricted Swing Spout for Goosenecks Only	99.83

AQUASPEC® COMMERCIAL PRODUCTS

PRODUCT NO.	DESCRIPTION	OPTIONAL ACCESSORIES	CASE QTY.	WEIGHT (LBS.)	UPC	LIST PRICE
4" Centerset Lavatory Faucets						
Z81101-XL	4" Centerset with lever handles.	-G, -PT, -2M, -3M, -4M, -16M, -17M, -18M, -19M, -21M, -22M, -23M	6	4	670240366749	208.20
Z81102-XL	4" Centerset with four arm handles.	-G, -P, -PT, -2M, -3M, -4M, -16M, -17M, -18M, -19M, -21M, -22M, -23M	6	4	670240366855	214.90
Z81103-XL	4" Centerset with dome lever handles.	-G, -PT, -2M, -3M, -4M, -16M, -17M, -18M, -19M, -21M, -22M, -23M	6	4	670240366961	214.90
Z81104-XL	4" Centerset with 4" wrist blade handles.	-G, -GH, -PT, -2M, -3M, -4M, -16M, -17M, -18M, -19M, -21M, -22M, -23M	6	4	670240367098	232.96
4" Centerset Gooseneck Faucets						
Z812A1-XL	4" Centerset with 3-1/2" gooseneck and lever handles.	-FC, -G, -PT, -WM, -2F, -3F, -4F, -5F, -16F, -17F, -18F, -19F, -21F, -22F, -23F	6	4.5	670240367265	252.75
Z812A3-XL	4" Centerset with 3-1/2" gooseneck and dome lever handles.	-FC, -G, -PT, -2F, -3F, -4F, -5F, -16F, -17F, -18F, -19F, -21F, -22F, -23F	6	4.5	670240367371	277.47
Z812A4-XL	4" Centerset with 3-1/2" gooseneck and 4" wrist blade handles.	-FC, -G, -GH, -PT, -WM, -2F, -3F, -4F, -5F, -16F, -17F, -18F, -19F, -21F, -22F, -23F	6	4.5	670240365322	277.47
Z812B1-XL	4" Centerset with 5-3/8" gooseneck and lever handles.	-FC, -G, -PT, -WM, -2F, -3F, -4F, -5F, -16F, -17F, -18F, -19F, -21F, -22F, -23F	6	4.5	670240367531	262.27
Z812B3-XL	4" Centerset with 5-3/8" gooseneck and dome lever handles.	-FC, -G, -PT, -2F, -3F, -4F, -5F, -16F, -17F, -18F, -19F, -21F, -22F, -23F	6	4.5	670240367616	267.94
Z812B4-XL	4" Centerset with 5-3/8" gooseneck and 4" wrist blade handles.	-FC, -G, -GH, -PT, -WM, -2F, -3F, -4F, -5F, -16F, -17F, -18F, -19F, -21F, -22F, -23F	6	5	670240367630	287.03
Z812C1-XL	4" Centerset with 8" gooseneck and lever handles.	-FC, -G, -GH, -PT, -WM, -2F, -3F, -4F, -5F, -16F, -17F, -18F, -19F, -21F, -22F, -23F	6	5	670240367968	281.30
Z812C3-XL	4" Centerset with 8" gooseneck and dome lever handles.	-FC, -G, -GH, -PT, -2F, -3F, -4F, -5F, -16F, -17F, -18F, -19F, -21F, -22F, -23F	6	5	670240367982	281.30
Z812C4-XL	4" Centerset with 8" gooseneck and 4" wrist blade handles.	-FC, -G, -GH, -PT, -WM, -2F, -3F, -5F, -16F, -17F, -18F, -19F, -21F, -22F, -23F	6	5	670240367999	306.07



PRODUCT NO.	DESCRIPTION	OPTIONAL ACCESSORIES	CASE QTY.	WEIGHT (LBS.)	UPC	LIST PRICE
4" Centerset Cast Spout Faucets						
Z812F1-XL	4" Centerset with 6" cast spout and lever handles.	-G, -P, -PT, -WM, -2F, -3F, -4F, -5F, -16F, -17F, -18F, -19F, 21F, -22F, -23F	6	4.5	670240370999	262.27
Z812F4-XL	4" Centerset with 6" cast spout and 4" wrist blade handles.	-G, -P, -PT, -WM, -2F, -3F, -4F, -5F, -16F, -17F, -18F, -19F, 21F, -22F, -23F	6	4.5	670240371040	287.03
Z812G1-XL	4" Centerset with 8" cast spout and lever handles.	-G, -P, -PT, -WM, -2F, -3F, -4F, -5F, -16F, -17F, -18F, -19F, 21F, -22F, -23F	6	4.5	670240368057	281.30
Z812G3-XL	4" Centerset with 8" cast spout and dome lever handles.	-G, -P, -PT, -WM, -2F, -3F, -4F, -5F, -16F, -17F, -18F, -19F, 21F, -22F, -23F	6	4.5	670240368071	281.30
Z812G4-XL	4" Centerset with 8" cast spout and 4" wrist blade handles.	-G, -P, -PT, -WM, -2F, -3F, -4F, -5F, -16F, -17F, -18F, -19F, 21F, -22F, -23F	6	4.5	670240368095	306.07
4" Centerset Tubular Spout Faucets						
Z812H1-XL	4" Centerset with 12" tubular spout and lever handles.	-G, -P, -PT, -WM, -2F, -3F, -4F, -5F, -16F, -17F, -18F, -19F, 21F, -22F, -23F	6	4.5	670240368347	262.27
Z812H3-XL	4" Centerset with 12" tubular spout and dome lever handles.	-G, -P, -PT, -2F, -3F, -4F, -5F, -16F, -17F, -18F, -19F, 21F, -22F, -23F	6	4.5	670240371071	267.94
Z812H4-XL	4" Centerset with 12" tubular spout and 4" wrist blade handles.	-G, -P, -PT, -WM, -2F, -3F, -4F, -5F, -16F, -17F, -18F, -19F, 21F, -22F, -23F	6	4.5	670240371088	287.03
Z812J1-XL	4" Centerset with 9-1/2" tubular spout and lever handles.	-G, -P, -PT, -WM, -2F, -3F, -4F, -5F, -16F, -17F, -18F, -19F, 21F, -22F, -23F	6	4.5	670240371149	262.27
Z812J3-XL	4" Centerset with 9-1/2" tubular spout and dome lever handles.	-G, -P, -PT, -2F, -3F, -4F, -5F, -16F, -17F, -18F, -19F, 21F, -22F, -23F	6	4.5	670240371163	267.73
Z812J4-XL	4" Centerset with 9-1/2" tubular spout and 4" wrist blade handles.	-G, -P, -PT, -WM, -2F, -3F, -4F, -5F, -16F, -17F, -18F, -19F, 21F, -22F, -23F	6	4.5	670240371187	287.03
4" Centerset Double-Jointed Spout Faucets						
Z812K1-XL	4" Centerset with 13" double-jointed spout and lever handles.	-DJ18, -G, -P, -PT, -WM, -2F, -3F, -4F, -5F, -16F, -17F, -18F, -19F, -21F, -22F, -23F	6	4.5	670240371217	326.94
Z812K4-XL	4" Centerset with 13" double-jointed spout 4" wrist blade handles.	-DJ18, -G, -P, -PT, -WM, -2F, -3F, -4F, -5F, -16F, -17F, -18F, -19F, -21F, -22F, -23F	6	4.5	670240371248	351.65



Z812F1-XL



Z812F4-XL



Z812G1-XL



Z812G3-XL



Z812G4-XL



Z812H1-XL



Z812H3-XL



Z812H4-XL



Z812J1-XL



Z812J3-XL



Z812J4-XL



Z812K1-XL



Z812K4-XL

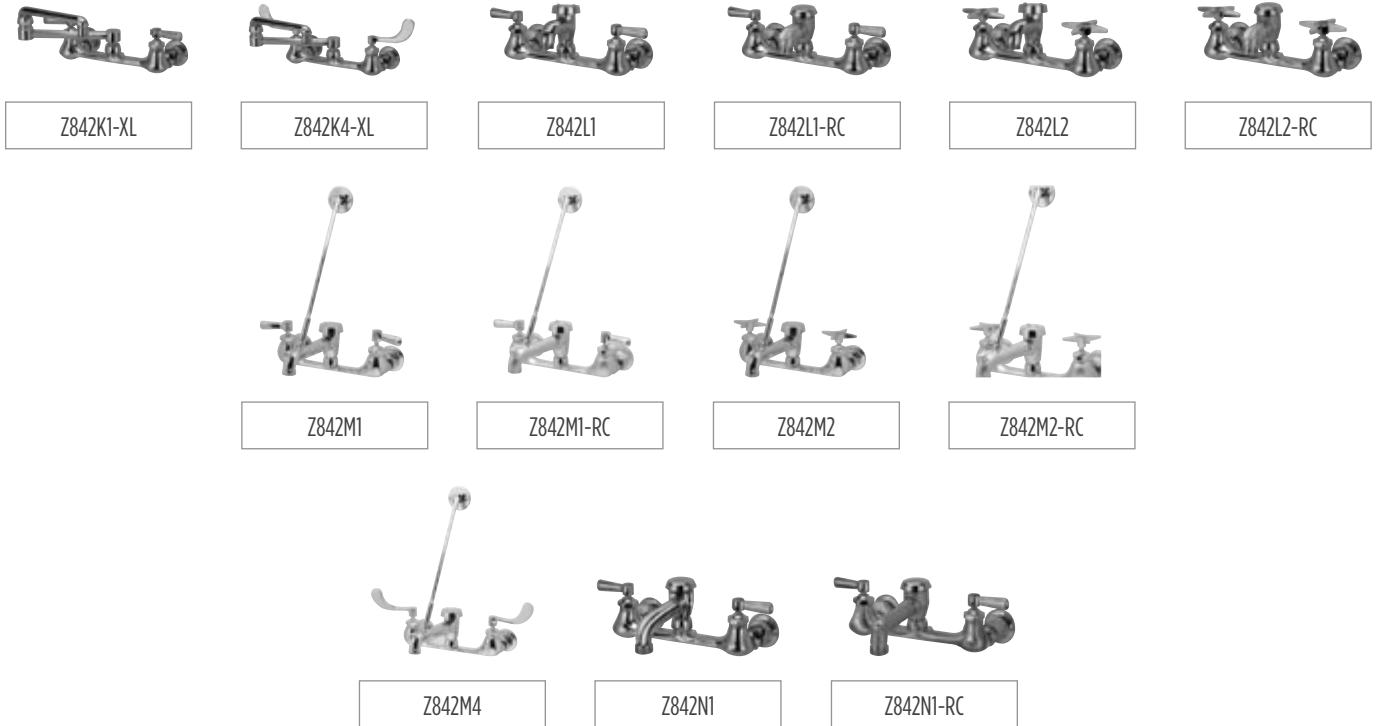
PRODUCT NO.	DESCRIPTION	OPTIONAL ACCESSORIES	CASE QTY.	WEIGHT (LBS.)	UPC	LIST PRICE
4" Centerset Vacuum Breaker Spout Faucets						
Z812N1	4" Centerset with 6" vacuum breaker spout, 3/4" hose end and lever handles.	-G, -P, -PT, -WM	6	4.5	670240447905	355.17
Z812N4	4" Centerset with 6" vacuum breaker spout, 3/4" hose end and 4" wrist blade handles.	-G, -P, -PT, -WM	6	4.5	670240422056	377.88
Z812T1-XL	4" Centerset with 4-1/2" vacuum breaker spout and lever handles.	-FC, -G, -P, -PT, -WM, -2F, -3F, -4F, -5F, -6M, -16F, -17F, -18F, -19F, -21F, -22F, -23F	6	4.5	889934099713	239.00
Z812T4-XL	4" Centerset with 4-1/2" vacuum breaker spout and 4" wrist blade handles.	-FC, -G, -P, -PT, -WM, -2F, -3F, -4F, -5F, -6M, -16F, -17F, -18F, -19F, -21F, -22F, -23F	6	4.5	-	279.23
Z812U1-XL	4" Centerset with 6" vacuum breaker spout and lever handles.	-FC, -G, -P, -PT, -WM, -2F, -3F, -4F, -5F, -6M, -16F, -17F, -18F, -19F, -21F, -22F, -23F	6	4.5	-	287.36
Z812U4-XL	4" Centerset with 6" vacuum breaker spout and 4" wrist blade handles.	-FC, -G, -P, -PT, -WM, -2F, -3F, -4F, -5F, -6M, -16F, -17F, -18F, -19F, -21F, -22F, -23F	6	4.5	670240931763	314.94
4" Centerset Bent Riser Spout Faucets						
Z812S1-XL	4" Centerset with 8" bent riser spout and lever handles.	-FC, -G, -P, -PT, -WM, -2M, -3M, -4M, -5M, -16M, -17M, -18M, -19M, -21M, -22M, -23M	6	4.5	670240493292	335.65
Z812S3-XL	4" Centerset with 8" bent riser spout and dome lever handles.	-FC, -G, -P, -PT, -2M, -3M, -4M, -5M, -16M, -17M, -18M, -19M, -21M, -22M, -23M	6	4.5	670240493322	341.33
Z812S4-XL	4" Centerset with 8" bent riser spout and 4" wrist blade handles.	-FC, -G, -P, -PT, -2M, -3M, -4M, -5M, -16M, -17M, -18M, -19M, -21M, -22M, -23M	6	4.5	670240493353	360.14
4" Centerset Metering Faucets						
Z86500-XL	4" Centerset metering faucet.	-G, -GH, -IN, -PT, -RKR, -3M, -16M	6	5	670240373150	330.24
Z866B0-XL	4" Centerset metering faucet with 5-3/8" gooseneck.	-G, -GH, -IN, -PT, -RKR, -3F, -16F	6	6	670240374669	389.12



PRODUCT NO.	DESCRIPTION	OPTIONAL ACCESSORIES	CASE QTY.	WEIGHT (LBS.)	UPC	LIST PRICE
Sink Gooseneck Faucets						
Z842A1-XL	Sink faucet with 3-1/2" gooseneck and lever handles.	-DM, -FC, -LSI, -2F, -3F, -4F, -5F, -16F, -17F, -18F, -19F, -21F, -22F, -23F	1	5	670240371996	326.02
Z842A4-XL	Sink faucet with 3-1/2" gooseneck and 4" wrist blade handles.	-DM, -FC, -LSI, -2F, -3F, -4F, -5F, -16F, -17F, -18F, -19F, -21F, -22F, -23F	1	5.5	670240372047	350.79
Z842B1-XL	Sink faucet with 5-3/8" gooseneck and lever handles.	-DM, -FC, -LSI, -2F, -3F, -4F, -5F, -16F, -17F, -18F, -19F, -21F, -22F, -23F	1	5.5	670240372153	335.54
Z842B2-XL	Sink faucet with 5-3/8" gooseneck and four-arm handles.	-DM, -FC, -LSI, -2F, -3F, -4F, -5F, -16F, -17F, -18F, -19F, -21F, -22F, -23F	1	5.5	670240372160	342.19
Z842B4-XL	Sink faucet with 5-3/8" gooseneck and 4" wrist blade handles.	-DM, -FC, -LSI, -2F, -3F, -4F, -5F, -16F, -17F, -18F, -19F, -21F, -22F, -23F	1	5.5	670240372184	360.30
Z842C1-XL	Sink faucet with 8" gooseneck and lever handles.	-DM, -FC, -LSI, -2F, -3F, -4F, -5F, -16F, -17F, -18F, -19F, -21F, -22F, -23F	1	5.5	670240372245	354.63
Z842C4-XL	Sink faucet with 8" gooseneck and 4" wrist blade handles.	-DM, -FC, -LSI, -2F, -3F, -4F, -5F, -16F, -17F, -18F, -19F, -21F, -22F, -23F	1	5.5	670240372276	379.39
Sink Cast Spout Faucets						
Z842F1-XL	Sink faucet with 6" cast spout and lever handles.	-DM, -LSI, -2F, -3F, -4F, -16F, -17F, -18F, -19F, -21F, -22F, -23F	1	5	670240372306	335.54
Z842F2-XL	Sink faucet with 6" cast spout and four-arm handles.	-DM, -LSI, -2F, -3F, -4F, -16F, -17F, -18F, -19F, -21F, -22F, -23F	1	5	670240372344	342.19
Z842F4-XL	Sink faucet with 6" cast spout and 4" wrist blade handles.	-DM, -LSI, -2F, -3F, -4F, -16F, -17F, -18F, -19F, -21F, -22F, -23F	1	5.5	670240372368	360.30
Z842G4-XL	Sink faucet with 8" cast spout and 4" wrist blade handles.	-DM, -LSI, -2F, -3F, -4F, -16F, -17F, -18F, -19F, -21F, -22F, -23F	1	5.5	670240372672	379.39
Sink Tubular Spout Faucets						
Z842H1-XL	Sink faucet with 12" tubular spout and lever handles.	-DM, -LSI, -2F, -3F, -4F, -16F, -17F, -18F, -19F, -21F, -22F, -23F	1	5.5	670240372726	335.54
Z842H4-XL	Sink faucet with 12" tubular spout and 4" wrist blade handles.	-DM, -LSI, -2F, -3F, -4F, -16F, -17F, -18F, -19F, -21F, -22F, -23F	1	5.5	670240372818	360.30
Z842I1-XL	Sink faucet with 14" tubular spout and lever handles.	-DM, -LSI, -2F, -3F, -4F, -16F, -17F, -18F, -19F, -21F, -22F, -23F	1	5.5	670240372849	340.30
Z842I4-XL	Sink faucet with 14" tubular spout and 4" wrist blade handles.	-DM, -LSI, -2F, -3F, -4F, -16F, -17F, -18F, -19F, -21F, -22F, -23F	1	5.5	670240372863	365.12
Z842J1-XL	Sink faucet with 9-1/2" tubular spout and lever handles.	-DM, -LSI, -2F, -3F, -4F, -16F, -17F, -18F, -19F, -21F, -22F, -23F	1	5.5	670240372887	335.54
Z842J3-XL	Sink faucet with 9-1/2" tubular spout and dome lever handles.	-LSI, -2F, -3F, -4F, -16F, -17F, -18F, -19F, -21F, -22F, -23F	1	5.5	670240372924	341.28
Z842J4-XL	Sink faucet with 9-1/2" tubular spout and 4" wrist blade handles.	-DM, -LSI, -2F, -3F, -4F, -16F, -17F, -18F, -19F, -21F, -22F, -23F	1	5.5	670240372931	360.30



PRODUCT NO.	DESCRIPTION	OPTIONAL ACCESSORIES	CASE QTY.	WEIGHT (LBS.)	UPC	LIST PRICE
Sink Double-Jointed Spout Faucets						
Z842K1-XL	Sink faucet with 13" double-jointed spout and lever handles.	-DJ18, -DM, -LSI, -2F, -3F, -4F, -16F, -17F, -18F, -19F, -21F, -22F, -23F	1	6.5	670240372962	400.21
Z842K4-XL	Sink faucet with 13" double-jointed spout and 4" wrist blade handles.	-DJ18, -DM, -LSI, -2F, -3F, -4F, -16F, -17F, -18F, -19F, -21F, -22F, -23F	1	6.5	670240372993	425.03
Sink Vacuum Breaker Spout Faucets						
Z842L1	Sink faucet with 2-1/2" vacuum breaker spout and lever handles.	-DM, -LSI, -WHK, -5H	1	5.5	670240443204	351.27
Z842L1-RC	Sink faucet with 2-1/2" vacuum breaker spout and lever handles, rough chrome plated.	-LSI, -WHK, -5H	1	5.5	670240409194	302.34
Z842L2	Sink faucet with 2-1/2" vacuum breaker spout and four-arm handles.	-DM, -LSI, -WHK, -5H	1	5.5	670240409200	357.45
Z842L2-RC	Sink faucet with 2-1/2" vacuum breaker spout and four-arm handles, rough chrome plated.	-LSI, -WHK, -5H	1	5.5	670240647794	308.51
Z842M1	Sink faucet with 6" vacuum breaker spout, lever handles, pail hook, 3/4" hose end and brace.	-LSI, -WHK, -5H	1	7	670240411463	407.78
Z842M1-RC	Sink faucet with 6" vacuum breaker spout, lever handles, pail hook, 3/4" hose end and brace, rough chrome plated.	-LSI, -WHK, -5H	1	7	670240409224	358.79
Z842M2	Sink faucet with 6" vacuum breaker spout, four-arm handles, pail hook, 3/4" hose end and brace.	-LSI, -WHK, -5H	1	7	670240424791	413.95
Z842M2-RC	Sink faucet with 6" vacuum breaker spout, four-arm handles, pail hook, 3/4" hose end and brace, rough chrome plated.	-LSI, -WHK, -5H	1	7	670240409248	365.88
Z842M4	Sink faucet with 5" vacuum breaker spout, 4" wrist blade handles, pail hook, 3/4" hose end and brace.	-LSI, -RC, -WHK, -5H	1	7	670240443228	436.88
Z842N1	Sink faucet with 6" vacuum breaker spout, lever handles, pail hook and 3/4" hose end.	-DM, -LSI, -WHK, -5H	1	7	670240509078	426.44
Z842N1-RC	Sink faucet with 6" vacuum breaker spout, lever handles, pail hook and 3/4" hose end, rough chrome-plated.	-LSI, -WHK, -5H	1	7	670240423428	377.88



PRODUCT NO.	DESCRIPTION	OPTIONAL ACCESSORIES	CASE QTY.	WEIGHT (LBS.)	UPC	LIST PRICE
Sink Vacuum Breaker Spout Faucets (CONTINUED)						
Z842N2	Sink faucet with 6" vacuum breaker spout, four-arm handles, pail hook and 3/4" hose end.	-DM, -LSI, -WHK, -5H	1	7	670240525641	432.60
Z842N2-RC	Sink faucet with 6" vacuum breaker spout, four-arm handles, pail hook and 3/4" hose end, rough chrome plated.	-LSI, -WHK, -5H	1	7	-	384.04
Z842T1-XL	Sink faucet with 4-1/2" vacuum breaker spout and lever handles.	-DM, -FC, -LSI, -2F, -3F, -4F, -5F, -6M, -16F, -17F, -18F, -19F, -21F, -22F, -23F	1	7	670240492769	358.68
Z842T2-XL	Sink faucet with 4-1/2" vacuum breaker spout and four-arm handles.	-DM, -FC, -LSI, -2F, -3F, -4F, -5F, -6M, -16F, -17F, -18F, -19F, -21F, -22F, -23F	1	7	670240492776	365.39
Z842T4-XL	Sink faucet with 4-1/2" vacuum breaker spout and 4" wrist blade handles.	-DM, -FC, -LSI, -2F, -3F, -4F, -5F, -6M, -16F, -17F, -18F, -19F, -21F, -22F, -23F	1	7	670240492783	383.45
Z842U1-XL	Sink faucet with 6" vacuum breaker spout and lever handles.	-DM, -FC, -LSI, -2F, -3F, -4F, -5F, -6M, -16F, -17F, -18F, -19F, -21F, -22F, -23F	1	7	670240492790	366.31
Z842U2-XL	Sink faucet with 6" vacuum breaker spout and four-arm handles.	-DM, -FC, -LSI, -2F, -3F, -4F, -5F, -6M, -16F, -17F, -18F, -19F, -21F, -22F, -23F	1	7	670240492806	373.02
Z842U4-XL	Sink faucet with 6" vacuum breaker spout and 4" wrist blade handles.	-DM, -FC, -LSI, -2F, -3F, -4F, -5F, -6M, -16F, -17F, -18F, -19F, -21F, -22F, -23F	1	7	670240492813	391.08
Z842V1-XL	Sink faucet with 8" vacuum breaker spout and lever handles.	-DM, -LSI, -6M, -8M	6	7	670240492820	386.37
Z842V2-XL	Sink faucet with 8" vacuum breaker spout and four-arm handles.	-DM, -LSI, -6M, -8M	6	7	670240492837	393.02
Z842V4-XL	Sink faucet with 8" vacuum breaker spout and 4" wrist blade handles.	-DM, -LSI, -6M, -8M	6	5.5	670240492844	411.08



Z842N2



Z842N2-RC



Z842T1-XL



Z842T2-XL



Z842T4-XL



Z842U1-XL



Z842U2-XL



Z842U4-XL



Z842V1-XL



Z842V2-XL



Z842V4-XL

PRODUCT NO.	DESCRIPTION	OPTIONAL ACCESSORIES	CASE QTY.	WEIGHT (LBS.)	UPC	LIST PRICE
Widespread Gooseneck Faucets						
Z831A1-XL	Widespread with 3-1/2" gooseneck and lever handles.	-CWO, -FC, -G, -GH, -HS, -HS6, -ICT, -PT, -2F, -3F, -4F, -5F, -16F, -17F, -18F, -19F, -21F, -22F, -23F	6	6	670240368217	343.17
Z831A4-XL	Widespread with 3-1/2" gooseneck and 4" wrist blade handles.	-CWO, -FC, -G, -GH, -HS, -HS6, -ICT, -PT, -2F, -3F, -4F, -5F, -16F, -17F, -18F, -19F, -21F, -22F, -23F	6	6	670240365414	350.79
Z831B1-XL	Widespread with 5-3/8" gooseneck and lever handles.	-CWO, -FC, -G, -GH, -HS, -HS6, -ICT, -PT, -2F, -3F, -4F, -5F, -16F, -17F, -18F, -19F, -21F, -22F, -23F	6	6	670240368538	335.54
Z831B4-XL	Widespread with 5-3/8" gooseneck and 4" wrist blade handles.	-CWO, -FC, -G, -GH, -HS, -HS6, -ICT, -PT, -2F, -3F, -4F, -5F, -16F, -17F, -18F, -19F, -21F, -22F, -23F	6	6	670240365407	360.30
Z831C1-XL	Widespread with 8" gooseneck and lever handles.	-CWO, -FC, -G, -GH, -HS, -HS6, -ICT, -PT, -2F, -3F, -4F, -5F, -16F, -17F, -18F, -19F, -21F, -22F, -23F	6	6.5	670240369191	354.63
Z831C3-XL	Widespread with 8" gooseneck and dome lever handles.	-CWO, -FC, -G, -GH, -HS, -HS6, -PT, -2F, -3F, -4F, -5F, -16F, -17F, -18F, -19F, -21F, -22F, -23F	6	6.5	670240369313	360.30
Z831C4-XL	Widespread with 8" gooseneck and 4" wrist blade handles.	-CWO, -FC, -G, -GH, -HS, -HS6, -ICT, -PT, -2F, -3F, -4F, -5F, -16F, -17F, -18F, -19F, -21F, -22F, -23F	6	6.5	670240369382	379.39
Widespread Cast Spout Faucets						
Z831G1-XL	Widespread with 8" cast spout and lever handles.	-CWO, -G, -GH, -HS, -HS6, -ICT, -PT, -2F, -3F, -4F, -5F, -16F, -17F, -18F, -19F, -21F, -22F, -23F	6	6.5	670240369665	354.63
Z831G3-XL	Widespread with 8" cast spout and dome lever handles.	-CWO, -G, -GH, -HS, -HS6, -ICT, -PT, -2F, -3F, -4F, -5F, -16F, -17F, -18F, -19F, -21F, -22F, -23F	6	6.5	670240369733	360.30
Z831G4-XL	Widespread with 8" cast spout and 4" wrist blade handles.	-CWO, -G, -GH, -HS, -HS6, -ICT, -PT, -2F, -3F, -4F, -5F, -16F, -17F, -18F, -19F, -21F, -22F, -23F	6	6.5	670240369795	379.39
Z831R1-XL	Widespread with 5" cast spout and lever handles.	-CWO, -G, -GH, -HS6, -ICT, -PT, -2M, -3M, -4M, -5M, -16M, -17M, -18M, -19M, -21M, -22M, -23M	6	6	670240369894	382.64
Z831R4-XL	Widespread with 5" cast spout and 4" wrist blade handles.	-CWO, -G, -GH, -HS6, -ICT, -PT, -2M, -3M, -4M, -5M, -16M, -17M, -18M, -19M, -21M, -22M, -23M	6	6	670240370494	407.46



PRODUCT NO.	DESCRIPTION	OPTIONAL ACCESSORIES	CASE QTY.	WEIGHT (LBS.)	UPC	LIST PRICE
Widespread Tubular Spout Faucets						
Z831H1-XL	Widespread with 12" tubular spout and lever handles.	-CWO, -G, -GH, -HS, -HS6, -ICT, -P, -PT, -2F, -3F, -4F, -5F, -16F, -17F, -18F, -19F, -21F, -22F, -23F	6	6.5	670240369887	335.54
Z831H4-XL	Widespread with 12" tubular spout and 4" wrist blade handles.	-CWO, -G, -GH, -HS, -HS6, -ICT, -P, -PT, -2F, -3F, -4F, -5F, -16F, -17F, -18F, -19F, -21F, -22F, -23F	6	6.5	670240371446	360.30
Z831J1-XL	Widespread with 9-1/2" tubular spout and 4" wrist blade handles.	-CWO, -G, -GH, -HS, -HS6, -ICT, -P, -PT, -2F, -3F, -4F, -5F, -16F, -17F, -18F, -19F, -21F, -22F, -23F	6	6.5	670240371491	335.54
Z831J3-XL	Widespread with 9-1/2" tubular spout and dome lever handles.	-CWO, -G, -GH, -HS, -HS6, -ICT, -P, -PT, -2F, -3F, -4F, -5F, -16F, -17F, -18F, -19F, -21F, -22F, -23F	6	6.5	670240371613	341.28
Z831J4-XL	Widespread with 9-1/2" tubular spout and 4" wrist blade handles.	-CWO, -G, -GH, -HS, -HS6, -ICT, -P, -PT, -2F, -3F, -4F, -5F, -16F, -17F, -18F, -19F, -21F, -22F, -23F	6	6.5	670240371699	360.30
Widespread Bent Riser Spout Faucets						
Z831S1-XL	Widespread with 8" bent riser spout and lever handles.	-CWO, -G, -GH, -HS6, -HS8, -ICT, -P, -PT, -2M, -3M, -4M, -5M, -16M, -17M, -18M, -19M, -21M, -22M, -23M	6	6	670240493384	408.11
Z831S3-XL	Widespread with 8" bent riser spout and dome lever handles.	-CWO, -G, -GH, -HS6, -HS8, -ICT, -P, -PT, -2M, -3M, -4M, -5M, -16M, -17M, -18M, -19M, -21M, -22M, -23M	6	6	670240493414	413.74
Z831S4-XL	Widespread with 8" bent riser spout and 4" wrist blade handles.	-CWO, -G, -GH, -HS6, -HS8, -ICT, -P, -PT, -2M, -3M, -4M, -5M, -16M, -17M, -18M, -19M, -21M, -22M, -23M	6	6	670240493445	432.55



Z831H1-XL



Z831H4-XL



Z831J1-XL



Z831J3-XL



Z831J4-XL



Z831S1-XL-15M



Z831S3-XL



Z831S4-XL

PRODUCT NO.	DESCRIPTION	OPTIONAL ACCESSORIES	CASE QTY.	WEIGHT (LBS.)	UPC	LIST PRICE
Widespread Vacuum Breaker Faucets						
Z831T1-XL	Widespread with 4-1/2" vacuum breaker spout and lever handles.	-CWO, -FC, -G, -GH, -HS6, -HS8, -ICT, -P, -PT, -2F, -3F, -4F, -6M, -16F, -17F, -18F, -19F, -21F, -22F, -23F	6	6	670240493469	355.34
Z831T2-XL	Widespread with 4-1/2" vacuum breaker spout and four-arm handles.	-CWO, -FC, -G, -GH, -HS6, -HS8, -ICT, -P, -PT, -2F, -3F, -4F, -6M, -16F, -17F, -18F, -19F, -21F, -22F, -23F	6	6	670240493476	361.93
Z831T4-XL	Widespread with 4-1/2" vacuum breaker spout and 4" wrist blade handles.	-CWO, -FC, -G, -GH, -HS6, -HS8, -ICT, -P, -PT, -2F, -3F, -4F, -6M, -16F, -17F, -18F, -19F, -21F, -22F, -23F	6	6	670240493490	379.83
Z831U1-XL	Widespread with 6" vacuum breaker spout and lever handles.	-CWO, -FC, -G, -GH, -HS6, -HS8, -ICT, -P, -PT, -2F, -3F, -4F, -6M, -16F, -17F, -18F, -19F, -21F, -22F, -23F	6	6	670240493506	362.91
Z831U2-XL	Widespread with 6" vacuum breaker spout and four-arm handles.	-CWO, -FC, -G, -GH, -HS6, -HS8, -ICT, -P, -PT, -2F, -3F, -4F, -6M, -16F, -17F, -18F, -19F, -21F, -22F, -23F	6	6	670240493520	369.50
Z831U4-XL	Widespread with 6" vacuum breaker spout and 4" wrist blade handles.	-CWO, -FC, -G, -GH, -HS6, -HS8, -ICT, -P, -PT, -2F, -3F, -4F, -6M, -16F, -17F, -18F, -19F, -21F, -22F, -23F	6	6	670240493537	387.40
Z831V1-XL	Widespread with 8" vacuum breaker spout and lever handles.	-CWO, -FC, -G, -GH, -HS6, -HS8, -ICT, -P, -PT, -2F, -3F, -4F, -6M, -16F, -17F, -18F, -19F, -21F, -22F, -23F	6	6	670240493551	355.17
Z831V2-XL	Widespread with 8" vacuum breaker spout and four-arm handles.	-CWO, -FC, -G, -GH, -HS6, -HS8, -ICT, -P, -PT, -2F, -3F, -4F, -6M, -16F, -17F, -18F, -19F, -21F, -22F, -23F	6	6	670240493568	361.33
Z831V4-XL	Widespread with 8" vacuum breaker spout and 4" wrist blade handles.	-CWO, -FC, -G, -GH, -HS6, -HS8, -ICT, -P, -PT, -2F, -3F, -4F, -6M, -16F, -17F, -18F, -19F, -21F, -22F, -23F	6	6	670240493575	377.93
Widespread Metering Faucets						
Z867A0-XL	Widespread metering faucet with 3-1/2" gooseneck.	-CWO, -G, -GH, -ICT, -IN, -PT, -RKR, -3F, -16F	6	6	670240373198	375.66
Z867B0-XL	Widespread metering faucet with 5-3/8" gooseneck.	-CWO, -G, -GH, -ICT, -IN, -PT, -RKR, -3F, -16F	6	6.5	670240373211	375.66
Z867C0-XL	Widespread metering faucet with 8" gooseneck.	-CWO, -G, -GH, -ICT, -IN, -PT, -RKR, -3F, -16F	6	6.5	670240373273	438.50
Z867R0-XL	Widespread metering faucet with 5" low-profile spout.	-CWO, -G, -GH, -ICT, -IN, -PT, -RKR, -3M, -16M	6	6.5	670240372566	433.04



PRODUCT NO.	DESCRIPTION	OPTIONAL ACCESSORIES	CASE QTY.	WEIGHT (LBS.)	UPC	LIST PRICE
Deck-mounted Faucets						
Z821A0-XL	Deck-mounted 3-1/2" gooseneck spout.	-FC, -PT, -2F, -3F, -4F, -5F, -16F, -17F, -18F, -19F, -21F, -22F, -23F	1	2	670240491786	113.46
Z821B0-XL	Deck-mounted 5-3/8" gooseneck spout.	-FC, -PT, -2F, -3F, -4F, -5F, -16F, -17F, -18F, -19F, -21F, -22F, -23F	1	2	670240491823	121.08
Z821C0-XL	Deck-mounted 8" gooseneck spout.	-FC, -PT, -2F, -3F, -4F, -5F, -16F, -17F, -18F, -19F, -21F, -22F, -23F	1	2.5	670240491847	142.98
Z821T0-XL	Deck-mounted 4-1/2" vacuum breaker spout.	-FC, -PT, -2F, -3F, -4F, -5F, -16F, -17F, -18F, -19F, -21F, -22F, -23F	1	2.5	670240491861	163.96
Z821U0-XL	Deck-mounted 6" vacuum breaker spout.	-FC, -PT, -2F, -3F, -4F, -5F, -16F, -17F, -18F, -19F, -21F, -22F, -23F	1	2.5	670240491878	165.85
Z841B1-XL-DM	Deck-mounted faucet with 5-3/8" gooseneck spout and lever handles.	-2F, -3F, -4F, -5F, -12F, -16F, -17F, -18F, -19F, -21F, -22F, -23F	6	5	670240492455	383.18
Z841J4-XL-DM	Deck-mounted faucet with 9-1/2" tubular spout and wrist blade handles.	-2F, -3F, -4F, -16F, -17F, -18F, -19F, -21F, -22F, -23F	6	5	670240492592	370.10
Back-mounted Faucets						
Z843J1-XL	Back-mounted faucet with 9-1/2" tubular spout and lever handles.	-DM, -LSI, -2F, -3F, -4F, -16F, -17F, -18F, -19F, -21F, -22F, -23F	6	5.5	670240492677	326.02
Z843J4-XL	Back-mounted faucet with 9-1/2" tubular spout and wrist blade handles.	-DM, -LSI, -2F, -3F, -4F, -16F, -17F, -18F, -19F, -21F, -22F, -23F	6	5.5	670240492684	350.79
Wall-mounted Faucets						
Z80300-XL	Wall-mounted single metering sink faucet.	-IN	1	2	670240482951	205.71
Z80401	Wall-mounted single sink faucet.		1	2	670240508309	97.07
Z80402	Wall-mounted single sink faucet.		1	2	670240508644	100.64
Z80501	Wall-mounted single sink faucet.	-RB, -VB, -WHK, -5H	1	2	670240454507	99.18
Z80502	Wall-mounted single sink faucet.	-RB, -VB, -WHK, -5H	1	2	670240459571	103.93
Z80601	Wall-mounted single sink faucet.		1	2	670240454781	102.90
Z80602	Wall-mounted single sink faucet.		1	2	670240508657	105.94
Z80701	Wall-mounted single sink faucet.	-RB, -VB, -WHK, -5H	1	2	670240458659	130.33
Z80702	Wall-mounted single sink faucet.	-RB, -VB, -WHK, -5H	1	2	670240460492	105.94



Z821A0-XL



Z821B0-XL



Z821C0-XL



Z821T0-XL



Z821U0-XL



Z841B1-XL-DM



Z841J4-XL-DM



Z843J1-XL



Z843J4-XL



Z80300-XL



Z80401



Z80402



Z80501



Z80502



Z80601



Z80602



Z80701



Z80702

PRODUCT NO.	DESCRIPTION	OPTIONAL ACCESSORIES	CASE QTY.	WEIGHT (LBS.)	UPC	LIST PRICE
Wall-mounted Faucets (CONTINUED)						
Z80707	Wall-mounted single sink faucet.	-RB, -VB, -WHK, -5H	1	2	670240452435	103.29
Z812J4-XL-WM	Wall-mounted 4" Centerset with 9-1/2" tubular spout and 4" wrist blade handles.	-TWM, -2F, -3F, -4F, -16F, -17F, -18F, -19F, 21F, -22F, -23F	6	4.5	670240371194	334.67
Z812K1-XL-WM	Wall-mounted 4" Centerset with 13" double-jointed spout and lever handles.	-DJ18, -TWM, -2F, -3F, -4F, -16F, -17F, -18F, -19F, -21F, 22F, -23F	6	4.5	670240371224	390.75
Z81301-XL	Wall-mounted single sink faucet.	-RB, -VB, -WHK, -5H	1	2	670240492707	107.67
Z81302-XL	Wall-mounted single sink faucet.	-RB, -VB, -WHK, -5H	1	2	670240492714	110.37
Z81307-XL	Wall-mounted single sink faucet.	-RB, -VB, -WHK, -5H	1	2	670240691933	107.67
Z821A0-XL-WM	Wall-mounted 3-1/2" gooseneck spout.	-FC, -PT, -2F, -3F, -4F, -5F, -16F, -17F, -18F, -19F, -21F, -22F, -23F	1	2	670240491793	140.12
Z821B0-XL-WM	Wall-mounted 5-3/8" gooseneck spout.	-FC, -PT, -2F, -3F, -4F, -5F, -16F, -17F, -18F, -19F, -21F, -22F, -23F	1	2	670240491830	147.79
Z821C0-XL-WM	Wall-mounted 8" gooseneck spout.	-FC, -PT, -2F, -3F, -4F, -5F, -16F, -17F, -18F, -19F, -21F, -22F, -23F	1	2.5	670240491854	163.96
Z875B2	Wall-mounted lab faucet with 5-3/8" gooseneck spout.	-LH -2F, -3F, -4F, -5F, -12F, -16F, -17F, -18F, -19F, -21F, -22F, -23F	1	2	889934094312	162.34
Z875F1	Wall-mounted faucet with 6" cast spout and lever handle.	-LH -2F, -3F, -4F, -16F, -17F, -18F, -19F, -21F, -22F, -23F	6	2.5	-	206.57
Z875K1	Wall-mounted faucet with 13" double-jointed spout and lever handle.	-DJ18, -LH, -2F, -3F, -4F, -16F, -17F, -18F, -19F, -21F, -22F, -23F	6	2.5	-	278.93
Z875T2	Wall-mounted lab faucet with 4-1/2" vacuum breaker spout.	-LH -2F, -3F, -4F, -5F, -6M -16F, -17F, -18F, -19F, -21F, -22F, -23F	1	2	-	271.84
Z875U2	Wall-mounted lab faucet with 6" vacuum breaker spout.	-LH -2F, -3F, -4F, -5F, -6M -16F, -17F, -18F, -19F, -21F, -22F, -23F	1	2.5	-	278.93



PRODUCT NO.	DESCRIPTION	OPTIONAL ACCESSORIES	CASE QTY.	WEIGHT (LBS.)	UPC	LIST PRICE
Kitchen Sink Faucets						
Z871B1-XL	Kitchen sink faucet with 5-3/8" gooseneck and lever handles.	-FC, -HS, -HS6, -PT, -WM, -2F, -3F, -4F, -16F, -17F, -18F, -19F, -21F, -22F, -23F	1	6	670240373440	306.07
Z871B3-XL	Kitchen sink faucet with 5-3/8" gooseneck and dome lever handles.	-FC, -HS, -HS6, -PT, -2F, -3F, -4F, -16F, -17F, -18F, -19F, -21F, -22F, -23F	1	6	670240373488	311.80
Z871B4-XL	Kitchen sink faucet with 5-3/8" gooseneck and 4" wrist blade handles.	-FC, -HS, -HS6, -PT, -WM, -2F, -3F, -4F, -16F, -17F, -18F, -19F, -21F, -22F, -23F	1	6	670240373556	330.89
Z871C1-XL	Kitchen sink faucet with 8" gooseneck and lever handles.	-FC, -HS, -HS6, -PT, -WM, -2F, -3F, -4F, -16F, -17F, -18F, -19F, -21F, -22F, -23F	1	6	670240373631	325.16
Z871C3-XL	Kitchen sink faucet with 8" gooseneck and dome lever handles.	-FC, -HS, -HS6, -PT, -2F, -3F, -4F, -16F, -17F, -18F, -19F, -21F, -22F, -23F	1	6	670240373679	330.89
Z871C4-XL	Kitchen sink faucet with 8" gooseneck and 4" wrist blade handles.	-FC, -HS, -HS6, -PT, -WM, -2F, -3F, -4F, -16F, -17F, -18F, -19F, -21F, -22F, -23F	1	6	670240373716	349.93
Z871G1-XL	Kitchen sink faucet with 8" cast spout and lever handles.	-HS, -HS6, -PT, -WM, -2F, -3F, -4F, -16F, -17F, -18F, -19F, -21F, -22F, -23F	1	6.5	670240373846	325.16
Z871G3-XL	Kitchen sink faucet with 8" cast spout and dome lever handles.	-HS, -HS6, -PT, -2F, -3F, -4F, -16F, -17F, -18F, -19F, -21F, -22F, -23F	1	6.5	670240365391	330.89
Z871G4-XL	Kitchen sink faucet with 8" cast spout and 4" wrist blade handles.	-HS, -HS6, -PT, -WM, -2F, -3F, -4F, -16F, -17F, -18F, -19F, -21F, -22F, -23F	1	6.5	670240373976	349.93
Z871H1-XL	Kitchen sink faucet with 12" tubular spout and lever handles.	-HS, -HS6, -PT, -WM, -2F, -3F, -4F, -16F, -17F, -18F, -19F, -21F, -22F, -23F	1	6	670240374041	306.07
Z871H4-XL	Kitchen sink faucet with 12" tubular spout and 4" wrist blade handles.	-HS, -HS6, -PT, -WM, -2F, -3F, -4F, -16F, -17F, -18F, -19F, -21F, -22F, -23F	1	6	670240374102	330.89
Z871J1-XL	Kitchen sink faucet with 9-1/2" tubular spout and lever handles.	-HS, -HS6, -PT, -WM, -2F, -3F, -4F, -16F, -17F, -18F, -19F, -21F, -22F, -23F	1	6	670240374126	306.45
Z871J3-XL	Kitchen sink faucet with 9-1/2" tubular spout and dome lever handles.	-HS, -HS6, -PT, -2F, -3F, -4F, -16F, -17F, -18F, -19F, -21F, -22F, -23F	1	6	670240374164	311.80
Z871J4-XL	Kitchen sink faucet with 9-1/2" tubular spout and 4" wrist blade handles.	-HS, -HS6, -PT, -WM, -2F, -3F, -4F, -16F, -17F, -18F, -19F, -21F, -22F, -23F	1	6	670240374195	330.89
Z871S1-XL	Kitchen sink faucet with 8" bent riser spout and lever handles.	-FC, -HS, -HS6, -HS8, -PT, -WM, -2M, -3M, -4M, -16M, -17M, -18M, -19M, -21M, -22M, -23M	1	6	670240493599	379.01
Z871S3-XL	Kitchen sink faucet with 8" bent riser spout and dome lever handles.	-FC, -HS, -HS6, -HS8, -PT, -2M, -3M, -4M, -16M, -17M, -18M, -19M, -21M, -22M, -23M	1	6	670240493605	384.64
Z871S4-XL	Kitchen sink faucet with 8" bent riser spout and 4" wrist blade handles.	-FC, -HS, -HS6, -HS8, -PT, -WM, -2M, -3M, -4M, -16M, -17M, -18M, -19M, -21M, -22M, -23M	1	6	670240493612	403.46



Z871B1-XL



Z871B3-XL



Z871B4-XL



Z871C1-XL



Z871C3-XL



Z871C4-XL



Z871G1-XL



Z871G3-XL



Z871G4-XL



Z871H1-XL



Z871H4-XL



Z871J1-XL



Z871J3-XL



Z871J4-XL



Z871S1-XL

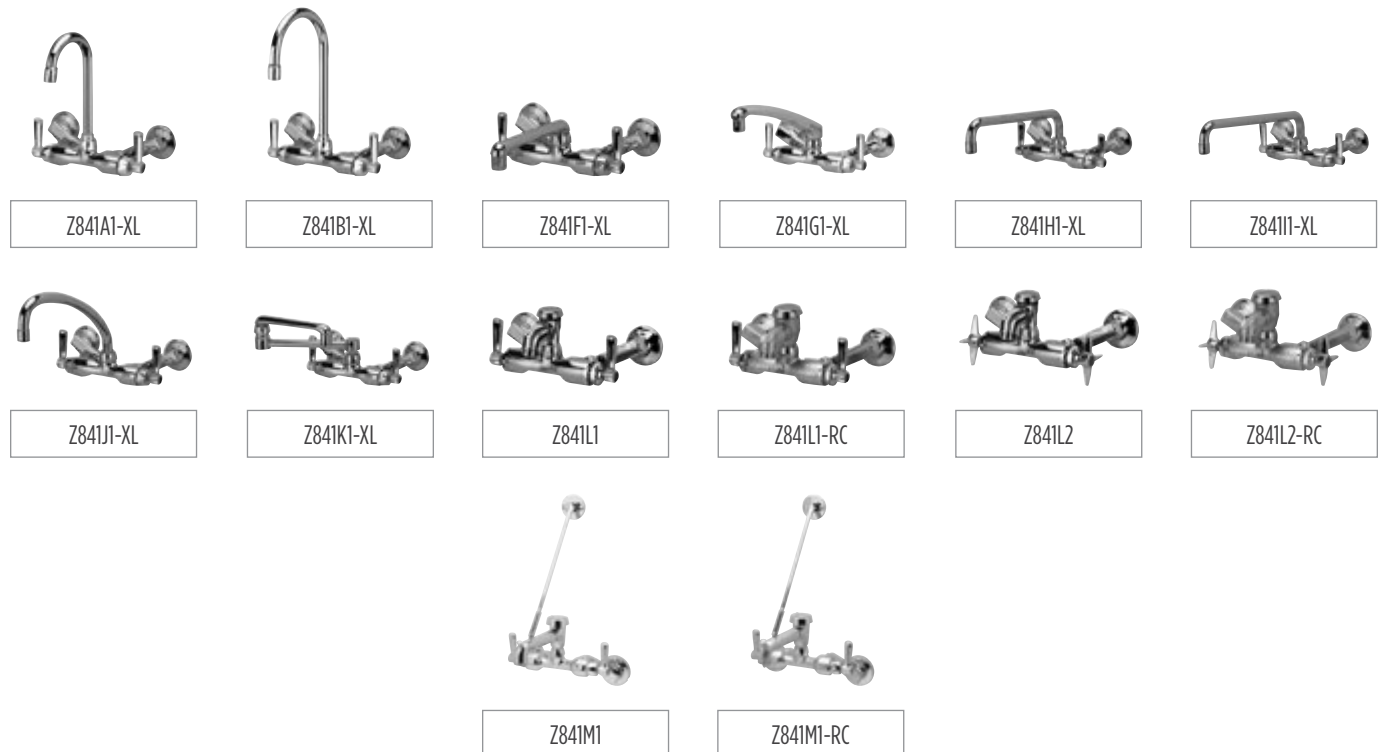


Z871S3-XL



Z871S4-XL

PRODUCT NO.	DESCRIPTION	OPTIONAL ACCESSORIES	CASE QTY.	WEIGHT (LBS.)	UPC	LIST PRICE
Service Sink Faucets						
Z841A1-XL	Service sink faucet with 3-1/2" gooseneck and lever handles.	-DM, -FC, -SSI, -2F, -3F, -4F, -5F, -16F, -17F, -18F, -19F, -21F, -22F, -23F	1	5	670240492394	326.02
Z841B1-XL	Service sink faucet with 5-3/8" gooseneck and lever handles.	-DM, -FC, -SSI, -2F, -3F, -4F, -5F, -16F, -17F, -18F, -19F, -21F, -22F, -23F	1	5	670240492424	335.54
Z841F1-XL	Service faucet sink with 6" cast spout and lever handles.	-DM, -SSI, -2F, -3F, -4F, -16F, -17F, -18F, -19F, -21F, -22F, -23F	1	5	670240492486	335.54
Z841G1-XL	Service sink faucet with 8" cast spout and lever handles.	-DM, -SSI, -2F, -3F, -4F, -16F, -17F, -18F, -19F, -21F, -22F, -23F	1	5.5	670240492493	354.58
Z841H1-XL	Service sink faucet with 12" tubular spout and lever handles.	-DM, -SSI, -2F, -3F, -4F, -16F, -17F, -18F, -19F, -21F, -22F, -23F	1	5.5	670240492509	335.54
Z841I1-XL	Service sink faucet with 14" tubular spout and lever handles.	-DM, -SSI, -2F, -3F, -4F, -16F, -17F, -18F, -19F, -21F, -22F, -23F	1	5	670240492561	340.30
Z841J1-XL	Service sink faucet with 9-1/2" tubular spout and lever handles.	-DM, -SSI, -2F, -3F, -4F, -16F, -17F, -18F, -19F, -21F, -22F, -23F	1	5	670240492585	335.54
Z841K1-XL	Service sink faucet with 13" double-jointed spout and lever handles.	-DJ18, -DM, -SSI, -2F, -3F, -4F, -16F, -17F, -18F, -19F, -21F, -22F, -23F	1	6	670240492615	400.71
Z841L1	Service sink faucet with 2-1/2" vacuum breaker spout and lever handles.	-DM, -SSI, -WHK, -5H	1	5.5	670240411371	360.30
Z841L1-RC	Service sink faucet with 2-1/2" vacuum breaker spout and lever handles, rough chrome plated.	-SSI, -WHK, -5H	1	5.5	670240408883	277.68
Z841L2	Service sink faucet with 2-1/2" vacuum breaker spout and four-arm handles.	-DM, -SSI, -WHK, -5H	1	5.5	670240461956	357.50
Z841L2-RC	Service sink faucet with 2-1/2" vacuum breaker spout and four-arm handles, rough chrome plated.	-SSI, -WHK, -5H	1	5.5	670240647800	308.51
Z841M1	Service sink faucet with 6" vacuum breaker spout, lever handles, pail hook, 3/4" hose end and brace.	-SSI, -WHK, -5H	1	7	670240411395	406.00
Z841M1-RC	Service sink faucet with 6" vacuum breaker spout, lever handles, pail hook, 3/4" hose end and brace, rough chrome plated.	-SSI, -WHK, -5H	1	7	670240408906	359.28



PRODUCT NO.	DESCRIPTION	OPTIONAL ACCESSORIES	CASE QTY.	WEIGHT (LBS.)	UPC	LIST PRICE
Service Sink Faucets (CONTINUED)						
Z841M2	Service sink faucet with 6" vacuum breaker spout, four-arm handles, pail hook, 3/4" hose end and brace.	-SSI, -WHK, -5H	1	7	670240525443	412.06
Z841M2-RC	Service sink faucet with 6" vacuum breaker spout, four-arm handles, pail hook, 3/4" hose end and brace, rough chrome plated.	-SSI, -WHK, -5H	1	7	-	365.39
Z841M4	Service sink faucet with 6" vacuum breaker spout, 4" wrist blade handles, pail hook, 3/4" hose end and brace.	-RC, -SSI, -WHK, -5H	1	7	670240455276	436.88
Z841N1	Service sink faucet with 6" vacuum breaker spout, lever handles, pail hook and 3/4" hose end.	-DM, -SSI, -WHK, -5H	1	6.5	670240443358	426.44
Z841N1-RC	Service sink faucet with 6" vacuum breaker spout, lever handles, pail hook and 3/4" hose end, rough chrome plated.	-SSI, -WHK, -5H	1	6.5	670240408920	377.61
Z841N2	Service sink faucet with 6" vacuum breaker spout, four-arm handles, pail hook and 3/4" hose end.	-DM, -SSI, -WHK, -5H	1	6.5	670240408937	432.60
Z841N2-RC	Service sink faucet with 6" vacuum breaker spout, four-arm handles, pail hook and 3/4" hose end, rough chrome plated.	-SSI, -WHK, -5H	1	6.5	-	384.04
Z843L1	Service sink faucet with 2-1/2" vacuum breaker spout and lever handles.	-CS, -LSI, -WHK, -5H	6	5.5	670240581012	319.15
Z843L1-RC	Service sink faucet with 2-1/2" vacuum breaker spout and lever handles; rough chrome plated.	-CS, -LSI, -WHK, -5H	6	5.5	670240581029	271.08
Z843M1	Service sink faucet with 6" vacuum breaker spout, lever handles, pail hook, 3/4" hose end and brace.	-CS, -LSI, -WHK, -5H	6	5.8	670240581050	253.51
Z843M1-RC	Service sink faucet with 6" vacuum breaker spout, lever handles, pail hook, 3/4" hose end and brace; rough chrome-plated.	-CS, -LSI, -WHK, -5H	6	5.8	670240581067	199.27
Z843N1	Service sink faucet with 6" vacuum breaker spout, lever handles, pail hook, and 3/4" hose end.	-CS, -LSI, -WHK, -5H	6	5.5	670240581074	328.83
Z843N1-RC	Service sink faucet with 6" vacuum breaker spout, lever handles, pail hook, 3/4" hose end and brace; rough chrome plated.	-CS, -LSI, -WHK, -5H	6	5.5	670240581081	280.76



Z841M2



Z841M2-RC



Z841M4



Z841N1



Z841N1-RC



Z841N2



Z841N2-RC



Z843L1



Z843L1-RC



Z843M1



Z843M1-RC

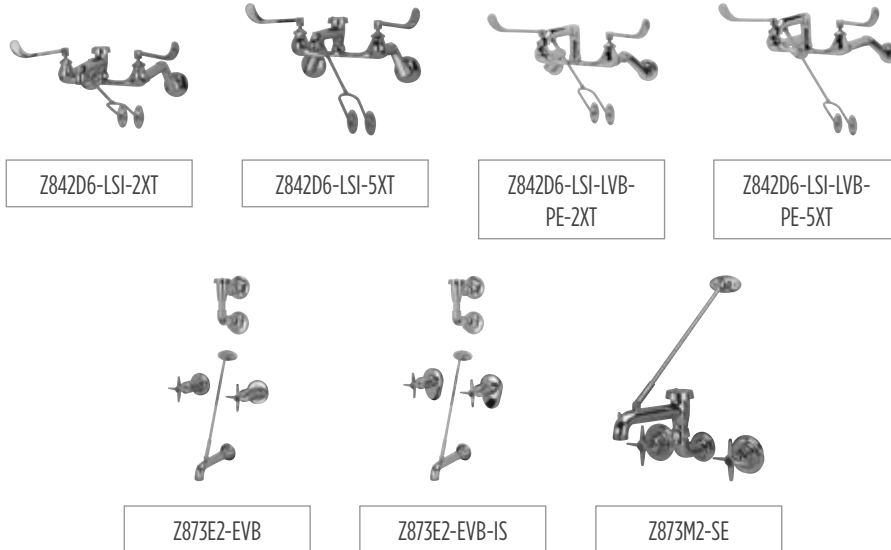


Z843N1



Z843N1-RC

PRODUCT NO.	DESCRIPTION	OPTIONAL ACCESSORIES	CASE QTY.	WEIGHT (LBS.)	UPC	LIST PRICE
Clinical Service Sink Faucets						
Z842D6-LSI-2XT	Clinical service sink faucet with 6" wrist blade handles, bottom brace and 3/4" hose end.	-WHK, -5H	1	7	-	682.81
Z842D6-LSI-5XT	Clinical service sink faucet with 6" wrist blade handles, bottom brace and 3/4" hose end.	-WHK, -5H	1	7	-	718.07
Z842D6-LSI-LVB-PE-2XT	Clinical service sink faucet with 6" wrist blade handles, bottom brace and plain end.		1	7	-	629.82
Z842D6-LSI-LVB-PE-5XT	Clinical service sink faucet with 6" wrist blade handles, bottom brace and plain end.		1	7	-	700.92
Z873E2-EVB	Clinical service sink faucet.	-WHK, -5H	1	9	670240442986	575.36
Z873E2-EVB-IS	Clinical service sink faucet.	-WHK, -5H	1	9.5	670240442993	669.02
Z873M2-SE	Clinical service sink faucet with vacuum breaker and brace.	-IS, -WHK, -5H	1	8	889934075359	515.45



FLUSH VALVES

FAUCETS

TEMP-GARD®

TUBULAR BRASS

FIXTURES

AQUAPARTS® REPAIR PARTS AND ASSEMBLIES

PRODUCT NO.	DESCRIPTION	OPTIONAL ACCESSORIES	CASE QTY.	WEIGHT (LBS.)	UPC	LIST PRICE
Single Basin Faucets						
Z82701-XL	Single basin faucet with lever handle.	-G, -PT, -2M, -3M, -16M, -17M, -18M, -19M, -21M, -22M, -23M	1	2	670240368118	152.98
Z82702-XL	Single basin faucet with four-arm handle.	-G, -MY, -MYCS, -PT, -2M, -3M, -16M, -17M, -18M, -19M, -21M, -22M, -23M	1	2	670240368149	150.71
Z82704-XL	Single basin faucet with 4" wrist blade handle.	-G, -MY, -MYCS, -PT, -2M, -3M, -16M, -17M, -18M, -19M, -21M, -22M, -23M	1	2	670240368170	172.07
Z86100-XL	Single basin metering faucet.	-BN, -CP4, -CP8, -G, -GH, -IN, -MY, -MYCS, -PT, -RKR, -3M, -16M	1	2	670240373075	186.18
Z86300-XL	Single basin metering faucet.	-BN, -CP4, -CP8, -G, -GH, -IN, -MY, -MYCS, -PT, -3M, -16M	1	2.5	670240480407	195.48
Z86300-XL-CP4	Single basin metering faucet.	-BN, -CP8, -G, -GH, -IN, -MY, -MYCS, -PT, -3M, -16M	1	2.5	670240480414	216.74
Single Control Faucets						
Z81000-XL	4" Centerset single control faucet.	-EXT, -G, -P, -PT, -1M, -2M, -3M, -4M, -5M, -16M, -17M, -18M, -19M, -21M, -22M, -23M	6	4	670240358720	222.14
Z82200-XL-CP4	Single control lavatory faucet with 4" cover plate.	-CP8, -G, -P, -2M, -3M, -4M, -16M, -17M, -18M, -19M, -21M, -22M, -23M	1	3.5	670240466852	406.32
Z82300-XL-CP8	Single control kitchen faucet with 8" cover plate.	-CP4, -G, -HS, -2M, -3M, -4M, -9M, -16M, -17M, -18M, -19M, -21M, -22M, -23M	1	5	670240470385	556.38
Z824B0-XL	Single control side-mounted gooseneck faucet.	-G, -HS, -2F, -3F, -4F, -16F, -17F, -18F, -19F, -21F, -22F, -23F	1	4	670240480322	412.76
Z824S0-XL	Single control side-mounted bent riser spout faucet.	-G, -HS, -2M, -3M, -4M, -9M, -16M, -17M, -18M, -19M, -21M, -22M, -23M	6	4	670240480391	455.37



Z82701-XL

Z82702-XL

Z82704-XL

Z86100-XL

Z86300-XL

Z86300-XL-CP4



Z81000-XL

Z82200-XL-CP4

Z82300-XL-CP8

Z824B0-XL

Z824S0-XL

PRODUCT NO.	DESCRIPTION	OPTIONAL ACCESSORIES	CASE QTY.	WEIGHT (LBS.)	UPC	LIST PRICE
Single Lab Faucets						
Z825A1-XL	Single lab faucet with 3-1/2" gooseneck and lever handle.	-FC, -G, -PT, -2F, -3F, -4F, -5F, -12F, -16F, -17F, -18F, -19F, -21F, -22F, -23F	1	3	670240487017	206.95
Z825A2-XL	Single lab faucet with 3-1/2" gooseneck and four-arm handle.	-FC, -G, -PT, -2F, -3F, -4F, -5F, -12F, -16F, -17F, -18F, -19F, -21F, -22F, -23F	1	3	670240491908	211.17
Z825A4-XL	Single lab faucet with 3-1/2" gooseneck and 4" wrist blade handle.	-FC, -G, -PT, -2F, -3F, -4F, -5F, -12F, -16F, -17F, -18F, -19F, -21F, -22F, -23F	1	3	670240491915	232.53
Z825B1-XL	Single lab faucet with 5-3/8" gooseneck and lever handle.	-FC, -G, -PT, -2F, -3F, -4F, -5F, -12F, -16F, -17F, -18F, -19F, -21F, -22F, -23F	1	3	670240491465	200.46
Z825B2-XL	Single lab faucet with 5-3/8" gooseneck and four-arm handle.	-FC, -G, -PT, -2F, -3F, -4F, -5F, -12F, -16F, -17F, -18F, -19F, -21F, -22F, -23F	1	3	670240491922	220.68
Z825B4-XL	Single lab faucet with 5-3/8" gooseneck and 4" wrist blade handle.	-FC, -G, -PT, -2F, -3F, -4F, -5F, -12F, -16F, -17F, -18F, -19F, -21F, -22F, -23F	1	3	670240491489	242.10
Z825C1-XL	Single lab faucet with 8" gooseneck and lever handle.	-FC, -G, -PT, -2F, -3F, -4F, -5F, -12F, -16F, -17F, -18F, -19F, -21F, -22F, -23F	1	3	670240491939	235.55
Z825C2-XL	Single lab faucet with 8" gooseneck and four-arm handle.	-FC, -G, -PT, -2F, -3F, -4F, -5F, -12F, -16F, -17F, -18F, -19F, -21F, -22F, -23F	1	3	670240491946	239.77
Z825C4-XL	Single lab faucet with 8" gooseneck and 4" wrist blade handle.	-FC, -G, -PT, -2F, -3F, -4F, -5F, -12F, -16F, -17F, -18F, -19F, -21F, -22F, -23F	1	3	670240491953	261.19
Z825F1-XL	Single lab faucet with 6" cast spout and lever handle.	-G, -PT, -2F, -3F, -4F, -5F, -16F, -17F, -18F, -19F, -21F, -22F, -23F	1	3	670240483439	238.16
Z825F2-XL	Single lab faucet with 6" cast spout and four-arm handle.	-G, -PT, -2F, -3F, -4F, -5F, -16F, -17F, -18F, -19F, -21F, -22F, -23F	1	3	670240491960	220.68
Z825T1-6M	Single lab faucet with 4-1/2" vacuum breaker spout, serrated tip, and lever handle.	-FC, -G, -MY, -MYCS, -PT, -2F, -3F, -4F, -5F, -8M, -16F, -17F, -18F, -19F, -21F, -22F, -23F	1	3.5	670240262461	238.48
Z825T2-6M	Single lab faucet with 4-1/2" vacuum breaker spout, serrated tip, and four-arm handle.	-FC, -G, -MY, -MYCS, -PT, -2F, -3F, -4F, -5F, -8M, -16F, -17F, -18F, -19F, -21F, -22F, -23F	1	3.5	670240262478	242.42



PRODUCT NO.	DESCRIPTION	OPTIONAL ACCESSORIES	CASE QTY.	WEIGHT (LBS.)	UPC	LIST PRICE
Single Lab Faucets (CONTINUED)						
Z825U1-6M	Single lab faucet with 6" vacuum breaker spout, serrated tip, and lever handle.	-FC, -G, -MY, -MYCS, -PT, -2F, -3F, -4F, -5F, -8M, -16F, -17F, -18F, -19F, -21F, -22F, -23F	1	3.5	670240262508	245.56
Z825U2-6M	Single lab faucet with 6" vacuum breaker spout, serrated tip, and four-arm handle.	-FC, -G, -MY, -MYCS, -PT, -2F, -3F, -4F, -5F, -8M, -16F, -17F, -18F, -19F, -21F, -22F, -23F	1	3.5	670240262515	249.40
Z825U4-6M	Single lab faucet with 6" vacuum breaker spout, serrated tip, and 4" wrist blade handle.	-FC, -G, -MY, -MYCS, -PT, -2F, -3F, -4F, -5F, -8M, -16F, -17F, -18F, -19F, -21F, -22F, -23F	1	3.5	670240262539	269.25
Z825V1-6M	Single lab faucet with 8" vacuum breaker spout, serrated tip, and lever handle.	-FC, -G, -MY, -MYCS, -PT, -2F, -3F, -4F, -5F, -8M, -16F, -17F, -18F, -19F, -21F, -22F, -23F	1	3.5	670240262546	264.16
Z825V2-6M	Single lab faucet with 8" vacuum breaker spout, serrated tip, and four-arm handle.	-FC, -G, -MY, -MYCS, -PT, -2F, -3F, -4F, -5F, -8M, -16F, -17F, -18F, -19F, -21F, -22F, -23F	1	3.5	670240262553	268.06
Z825V4-6M	Single lab faucet with 8" vacuum breaker spout, serrated tip, and 4" wrist blade handle.	-FC, -G, -MY, -MYCS, -PT, -2F, -3F, -4F, -5F, -8M, -16F, -17F, -18F, -19F, -21F, -22F, -23F	1	3.5	670240262577	287.90
Z82800	Single lab faucet, tin lined, for deionized water.	-WM	1	3.5	670240457409	631.07
Z82800-VB	Single lab faucet with vacuum breaker, tin lined, for deionized water.	-WM	1	3.5	670240458710	710.39
Double Lab Faucets						
Z826B1-XL	Double lab faucet with 5-3/8" gooseneck and lever handles.	-FC, -G, -MY, -PT, -2F, -3F, -4F, -5F, -12F, -16F, -17F, -18F, -19F, -21F, -22F, -23F	1	5	670240483750	300.39
Z826B2-XL	Double lab faucet with 5-3/8" gooseneck and four-arm handles.	-FC, -G, -MY, -PT, -2F, -3F, -4F, -5F, -12F, -16F, -17F, -18F, -19F, -21F, -22F, -23F	1	5	670240492219	307.05
Z826B4-XL	Double lab faucet with 5-3/8" gooseneck and 4" wrist blade handles.	-FC, -G, -MY, -PT, -2F, -3F, -4F, -5F, -12F, -16F, -17F, -18F, -19F, -21F, -22F, -23F	1	5	670240491496	325.16
Z826C1-XL	Double lab faucet with 8" gooseneck and lever handles.	-FC, -G, -MY, -PT, -2F, -3F, -4F, -5F, -12F, -16F, -17F, -18F, -19F, -21F, -22F, -23F	1	5	670240492271	319.43
Z826C2-XL	Double lab faucet with 8" gooseneck and four-arm handles.	-FC, -G, -MY, -PT, -2F, -3F, -4F, -5F, -12F, -16F, -17F, -18F, -19F, -21F, -22F, -23F	1	5	670240492356	326.13
Z826C4-XL	Double lab faucet with 8" gooseneck and 4" wrist blade handles.	-FC, -G, -MY, -PT, -2F, -3F, -4F, -5F, -12F, -16F, -17F, -18F, -19F, -21F, -22F, -23F	1	5	670240492363	344.19
Z826F1-XL	Double lab faucet with 6" cast spout and lever handles.	-G, -MY, -PT, -2F, -3F, -4F, -5F, -16F, -17F, -18F, -19F, -21F, -22F, -23F	1	5	670240491373	300.39
Z826F2-XL	Double lab faucet with 6" cast spout and four-arm handles.	-G, -MY, -PT, -2F, -3F, -4F, -5F, -16F, -17F, -18F, -19F, -21F, -22F, -23F	1	5	670240493650	307.10



Z82800



Z82800-VB



Z826B1-XL



Z826B2-XL



Z826B4-XL



Z826C1-XL



Z826C2-XL



Z826C4-XL



Z826F1-XL



Z826F2-XL

PRODUCT NO.	DESCRIPTION	OPTIONAL ACCESSORIES	CASE QTY.	WEIGHT (LBS.)	UPC	LIST PRICE
Double Lab Faucets (CONTINUED)						
Z826T1-6M	Double lab faucet with 4-1/2" vacuum breaker spout, serrated tip, and lever handles.	-FC, -G, -MY, -MYCS, -PT, -2F, -3F, -4F, -5F, -8M, -16F, -17F, -18F, -19F, -21F, -22F, -23F	1	5.5	670240262669	316.13
Z826T2-6M	Double lab faucet with 4-1/2" vacuum breaker spout, serrated tip, and four-arm handles.	-FC, -G, -MY, -MYCS, -PT, -2F, -3F, -4F, -5F, -8M, -16F, -17F, -18F, -19F, -21F, -22F, -23F	1	5.5	670240262676	322.34
Z826T4-6M	Double lab faucet with 4-1/2" vacuum breaker spout, serrated tip, and 4" wrist blade handles.	-FC, -G, -MY, -MYCS, -PT, -2F, -3F, -4F, -5F, -8M, -16F, -17F, -18F, -19F, -21F, -22F, -23F	1	5.5	670240262683	339.11
Z826U1-6M	Double lab faucet with 6" vacuum breaker spout, serrated tip, and lever handles.	-FC, -G, -MY, -MYCS, -PT, -2F, -3F, -4F, -5F, -8M, -16F, -17F, -18F, -19F, -21F, -22F, -23F	1	5.5	670240262690	323.22
Z826U2-6M	Double lab faucet with 6" vacuum breaker spout, serrated tip, and four-arm handles.	-FC, -G, -MY, -MYCS, -PT, -2F, -3F, -4F, -5F, -8M, -16F, -17F, -18F, -19F, -21F, -22F, -23F	1	5.5	670240408203	329.38
Z826U4-6M	Double lab faucet with 6" vacuum breaker spout, serrated tip, and 4" wrist blade handles.	-FC, -G, -MY, -MYCS, -PT, -2F, -3F, -4F, -5F, -8M, -16F, -17F, -18F, -19F, -21F, -22F, -23F	1	5.5	670240262706	346.14
Z826V1-6M	Double lab faucet with 8" vacuum breaker spout, serrated tip, and lever handles.	-FC, -G, -MY, -MYCS, -2F, -3F, -4F, -5F, -8M, -16F, -17F, -18F, -19F, -21F, -22F, -23F	1	5.5	670240262713	341.81
Z826V2-6M	Double lab faucet with 8" vacuum breaker spout, serrated tip, and four-arm handles.	-FC, -G, -MY, -MYCS, -2F, -3F, -4F, -5F, -8M, -16F, -17F, -18F, -19F, -21F, -22F, -23F	1	5.5	670240262720	347.97
Z826V4-6M	Double lab faucet with 8" vacuum breaker spout, serrated tip, and 4" wrist blade handles.	-FC, -G, -MY, -MYCS, -PT, -2F, -3F, -4F, -5F, -8M, -16F, -17F, -18F, -19F, -21F, -22F, -23F	1	5.5	670240262737	364.80
Misc. Lab Faucets						
Z881301	Multi-service fixture with vacuum breaker spout and two gas low pressure gas valves.	-CS	1	6.5	670240598133	1,047.33
Z82900	Polypropylene deck mounted single lab faucet for distilled water.		1	2	670240454033	427.04
Z82900-WM	Polypropylene wall mounted single lab faucet for distilled water.		1	2	670240454514	427.04



Z881301



Z82900



Z82900-WM



Z826U1-6M



Z826U2-6M



Z826U4-6M



Z826V1-6M



Z826V2-6M



Z826V4-6M



Z826T1-6M



Z826T2-6M



Z826T4-6M

PRODUCT NO.	DESCRIPTION	OPTIONAL ACCESSORIES	CASE QTY.	WEIGHT (LBS.)	UPC	LIST PRICE
Shower Valve Body						
Z87300-CWO	Metering shower valve body, cold water only.	-IN, -IS	1	1.5	670240457201	150.28
Z87302	Two-valve shower, body only.	-IS	1	3.5	670240442962	314.56
Z87302-CWO	Shower valve body, cold water only.	-IS	1	1.5	-	125.35
Misc. Faucets						
Z800J2-AF-11F	Add-on faucet.	-2F, -3F, -4F, -16F, -17F, -18F	1	2	670240583276	202.12
Z81202-DV	Remote water faucet.		1	4	670240516557	199.48
Z83600-XL	Bubbler.	-IN, -PC, -RKR	1	3.5	670240365339	309.42
Bedpan Washers						
Z85500-WM-EVB-HK-SE-SH	Bedpan washer.	-SH1, -SH2, -SH3, -SH4, -VC	1	13	-	952.27
Z87302-EVB-HK-SE-SH	Bedpan washer.	-IS	1	7	-	683.08
Z873P2-HK-SE-SH	Bedpan washer.	-IS, -SH1, -SH2, -SH3, -SH4	1	8	-	569.30
Z875L7	Bedpan washer.	-LH, -WHK, -5H	1	2.5	670240409637	257.73
Z877P2-LKS-HK-SH2	Bedpan washer.	-SH, -SH1, -SH3, -SH4	1	3.5	670240447172	406.00
Z877P7-LKS-HK-SH2	Bedpan washer.	-SH, -SH1, -SH3, -SH4	1	3.5	889934093049	406.00



Z87300-CWO



Z87302



Z87302-CWO



Z800J2-AF-11F



Z81202-DV



Z83600-XL



Z85500-WM-EVB-HK-SE-SH



Z87302-EVB-HK-SE-SH



Z873P2-HK-SE-SH



Z875L7



Z877P2-LKS-HK-SH2



Z877P7-LKS-HK-SH2

PRODUCT NO.	DESCRIPTION	OPTIONAL ACCESSORIES	CASE QTY.	WEIGHT (LBS.)	CHICAGO EQUAL	T&S BRASS EQUAL	UPC	LIST PRICE
Sink and Service Sink Faucets								
Z812B1-XL-15F	Centerset faucet with 5-3/8" gooseneck and lever handles.	-FC, -G, -PT, -WM, -2F, -3F, -4F, -5F, -11F, -16F, -17F, -18F, -19F, -21F, -22F	6	4.5	526	B-0325	670240367548	261.73
Z812C4-XL-15F	Centerset faucet with 8" gooseneck and 4" wrist blades.	-FC, -G, -GH, -2F, -3F, -4F, -5F, -11F, -16F, -17F, -18F, -19F, -21F, -22F	6	5	895-317-GN8B		670240368002	283.36
Z812Y1-XL-TWM-15F	Wall mounted faucet with 6" double bend spout and lever handles.	-11F, -16F, -17F, -18F, -19F, -21F, -22F	6	6	521		670240495401	312.94
Z825B1-XL-15F	Single water faucet with 5-3/8" gooseneck and lever handle.	-FC, -G, -PT, -2F, -3F, -4F, -5F, -11F, -12F, -16F, -17F, -18F, -19F, -21F, -22F	1	3	350	B-0305	670240495425	216.03
Z826A1-XL-15F	Dual water faucet with 3-1/2" gooseneck and lever handles.	-FC, -G, -MY, -PT, -2F, -3F, -4F, -5F, -11F, -12F, -16F, -17F, -18F, -19F, -21F, -22F	1	5	50	B-0300	670240495449	290.22
Z831S1-XL-15M	Widespread with 8" bent riser spout and lever handles.	-CWO, -G, -GH, -HS6, -ICT, -P, -PT, -2M, -3M, -4M, -5M, -11M, -16M, -17M, -18M, -19M, -21M, -22M	6	6	201A-HA8	B-2386	670240495463	408.11
Z841F1-XL-15F	Service sink faucet with 6" cast spout and lever handles.	-DM, -SSI, -2F, -3F, -4F, -11F, -16F, -17F, -18F, -19F, -21F, -22F	1	5	445	B-0237	670240495470	334.84
Z841G1-XL-15F	Deck mounted faucet with 8" cast spout and lever handles.	-DM, -SSI, -2F, -3F, -4F, -11F, -16F, -17F, -18F, -19F, -21F, -22F	1	5.5	445-L8		670240495487	353.81
Z841H1-XL-15F	Deck mounted faucet with 12" tubular spout and lever handles.	-DM, -SSI, -2F, -3F, -4F, -11F, -16F, -17F, -18F, -19F, -21F, -22F	1	5.5	445-L12	B-0236	670240495500	334.84
Z841J1-18-15F	Back mounted faucet with 10" tubular brass swing spout and lever handles.	-11F, -16F, -17F, -18F, -19F, -21F, -22F	1	6		B-0235	670240590243	345.98
Z841J1-XL-15F	Back mounted faucet with 9-1/2" tubular spout and lever handles.	-SSI, -2F, -3F, -4F, -11F, -16F, -17F, -18F, -19F, -21F, -22F	6	5	445-L9	B-0235	670240495517	334.84



PRODUCT NO.	DESCRIPTION	OPTIONAL ACCESSORIES	CASE QTY.	WEIGHT (LBS.)	CHICAGO EQUAL	T&S BRASS EQUAL	UPC	LIST PRICE
Sink and Service Sink Faucets (CONTINUED)								
Z841K1-XL-15F	Back mounted faucet with 13" double-jointed spout and lever handles.	-DJ18, -SSI, -2F, -3F, -4F, -11F, -16F, -17F, -18F, -19F, -21F, -22F	6	6	445-DJ13		670240495524	399.35
Z842F1-XL-15F	Back mounted sink faucet with 6" cast spout and lever handles.	-DM, -LSI, -2F, -3F, -4F, -11F, -16F, -17F, -18F, -19F, -21F, -22F	1	5	540-LD		670240372313	334.84
Z842G1-XL-15F	Back mounted sink faucet with 8" cast spout and lever handles.	-DM, -LSI, -2F, -3F, -4F, -11F, -16F, -17F, -18F, -19F, -21F, -22F	1	5.5	540-LD-L8		670240372627	328.35
Z842H1-XL-15F	Back mounted sink faucet with 12" tubular spout and lever handles.	-DM, -LSI, -2F, -3F, -4F, -11F, -16F, -17F, -18F, -19F, -21F, -22F	1	5.5	540-LD-L12	B-2191	670240372733	334.84
Z842J1-18-15F	Back mounted service sink faucet with 18" tubular brass swing spout and lever handles.	-DM, -11F, -16F, -17F, -18F, -19F, -21F, -22F	1	6		B-0290	670240591127	345.98
Z842J1-XL-15F	Back mounted sink faucet with 9-1/2" tubular spout and lever handles.	-DM, -LSI, -2F, -3F, -4F, -11F, -16F, -17F, -18F, -19F, -21F, -22F	1	5.5	540-LD-L9	B-2342	670240372894	334.84
Z842J4-XL-DM-15F	Deck mounted faucet with 9-1/2" tubular spout and wrist blade handles.	-CS, -2F, -3F, -4F, -5F, -11F, -16F, -17F, -18F, -19F, -21F, -22F	6	5.5			670240495708	407.08
Z842K1-XL-15F	Back mounted sink faucet with 13" double-jointed spout and lever handles.	-DJ18, -DM, -LSI, -2F, -3F, -4F, -11F, -16F, -17F, -18F, -19F, -21F, -22F	1	6.5	54-LD-DJ13	B-0265	670240372979	399.35
Z843M1	Service sink faucet with 6" vacuum breaker spout, lever handles, pail hook, 3/4" hose end and brace.	-CS, -LSI, -WHK, -5H	6	5.8	897	B-0067-POL	670240581050	253.51
Z843M1-RC	Service sink faucet with 6" vacuum breaker spout, lever handles, pail hook, 3/4" hose end and brace; rough chrome plated.	-CS, -LSI, -WHK, -5H	6	5.8	897-RC	B-0067-RC	670240581067	199.27
Z871C1-XL-TWM-15F	Back mounted sink faucet with 8" rigid/swing gooseneck spout and lever handles.	-11F, -16F, -17F, -18F, -19F, -21F, -22F	6	6		B-1147	670240373648	315.48



Z841K1-XL-15F



Z842F1-XL-15F



Z842G1-XL-15F



Z842H1-XL-15F



Z842J1-18-15F



Z842J1-XL-15F



Z842J4-XL-DM-15F



Z842K1-XL-15F



Z843M1

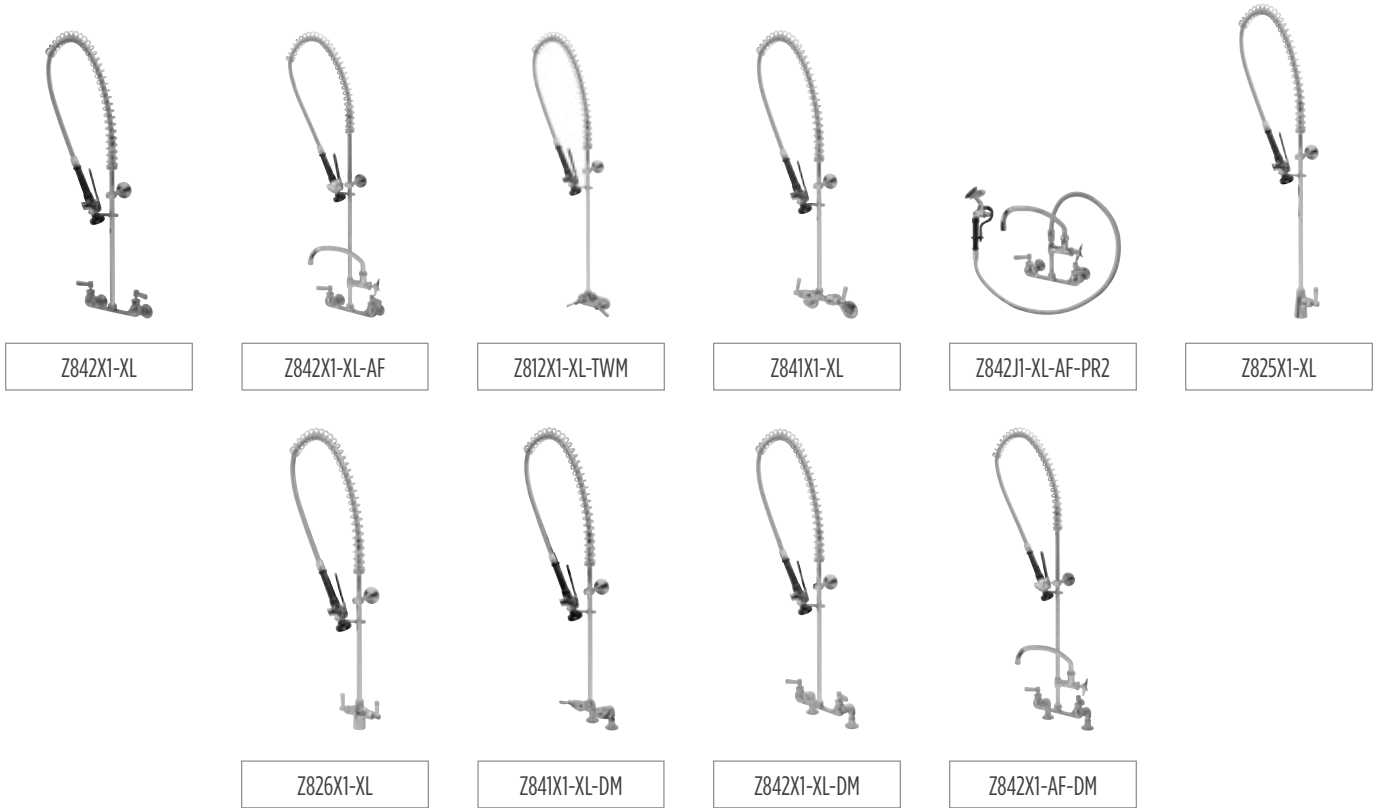


Z843M1-RC



Z871C1-XL-TWM-15F

PRODUCT NO.	DESCRIPTION	OPTIONAL ACCESSORIES	CASE QTY.	WEIGHT (LBS.)	CHICAGO EQUAL	T&S BRASS EQUAL	UPC	LIST PRICE
Pre-Rinse Units								
Z842X1-XL	Pre-rinse faucet with check stops.	-LSI, -PR2, -PR3	1	10	510-GC	B-0133	670240495739	708.93
Z842X1-XL-AF	Back mounted pre-rinse and pot filler unit with check stops.	-PR2, -PR3	1	12			670240493674	876.02
Z812X1-XL-TWM	Wall mounted centerset pre-rinse unit and lever handles.	-PR2, -PR3, -H24, -H48, -H60, -H72	1	11			670240495340	629.76
Z841X1-XL	Pre-rinse faucet with check stops.	-PR2, -PR3	1	10	923		670240495531	708.93
Z842J1-XL-AF-PR2	Pre-rinse and pot filler faucet.	-H24, -H36, -H48, -H72, -PR1, -PR3	1	11	509-GC	B-0175-XL	670240495685	795.23
Z825X1-XL	Single temperature pre-rinse unit.	-MYCS, -PR2, -PR3	1	9	920	B0173	670240495432	501.39
Z826X1-XL	Pre-rinse faucet with a mixing yoke and check stops.	-PR2, -PR3	1	11	919	B-0113	670240495456	647.82
Z841X1-XL-DM	Deck mounted pre-rinse unit.	-PR2, -PR3	1	10		B-2288	670240495555	728.56
Z842X1-XL-DM	Deck mounted pre-rinse unit.	-PR2, -PR3	1	10		B-0123	670240495753	720.06
Z842X1-XL-AF-DM	Deck mounted pre-rinse and pot filler unit with check stops.	-PR2, -PR3, -2F, -3F, -4F, -5F	1	12			670240495746	933.07



AQUASPEC® COMMERCIAL PRODUCTS ACCESSORIES

PRODUCT NO.	DESCRIPTION	OPTIONAL ACCESSORIES	CASE QTY.	WEIGHT (LBS.)	UPC	LIST PRICE
Spray Hoses						
Z80000-SH	Hand-held 4' vinyl spray hose for bedpan washer.		1	1	670240433557	100.49
Z80000-SH1	Hand-held 4' vinyl spray hose for bedpan washer.		1	1	670240433564	103.55
Z80000-SH2	Hand-held 4' vinyl angled spray hose for bedpan washer.		1	1.5	670240422469	115.74
Z80000-SH3	Hand-held 4' vinyl angled spray hose with a selfclosing valve for bedpan washer.		1	2	670240419377	246.82
Z80000-SH4	Hand-held 4' vinyl angled spray hose with a selfclosing valve for bedpan washer.		1	2	670240426481	223.73
Z80000-VH24	White vinyl hose with 3/8" male ends.		1	0.5	670240426795	72.07
Z80000-VH36	White vinyl hose with 3/8" male ends.		1	0.5	670240431362	85.34
Z80000-VH48	White vinyl hose with 3/8" male ends.		1	0.5	670240431379	106.19
Z80000-VH60	White vinyl hose with 3/8" male ends.		1	1	670240431270	117.27
Z80000-VH72	White vinyl hose with 3/8" male ends.		1	1	670240433793	132.76
Z80000-WHK1	Wall hook for bedpan washer spray hose.		1	1	670240428492	68.12
Turrets						
Z88000	Single outlet gas turret.	-AR, -SK, -SK1, -1B	1	2	670240431065	30.01
Z88100	Turret with two 180° outlets.	-AR, DS, -SK, -SK1, -2B	1	2	670240449084	35.32
Z88200	Turret with two 90° outlets.	-AR, -DS, -SK, -SK1, -2B	1	2	670240429840	38.24
Z88300	Turret with three 90° outlets.	-AR, -SK, -SK1, -3B	1	2	670240429857	38.89
Z88400	Turret with four 90° outlets.	-DS, -SK, -SK1, -4B	1	2	670240429864	38.89
Valves						
Z8001B	Low pressure ball valve gas valve with air, gas, and vacuum indexes.	-CS	1	0.5	670240528949	46.03
Z8002A	High pressure gas valve.	-AIR, -GAS, -STEAM, -VAC	1	1	670240522916	481.82
Z8002C	High pressure gas valve.	-AIR, -GAS, -VAC	1	1	670240522923	179.81
Z8003A	Laboratory water valve.		1	1	670240461895	290.88



Z80000-SH



Z80000-SH1



Z80000-SH2



Z80000-SH3



Z80000-SH4



Z80000-VH_



Z80000-WHK1



Z88000



Z88100



Z88200



Z88300



Z88400



Z8001B



Z8002A



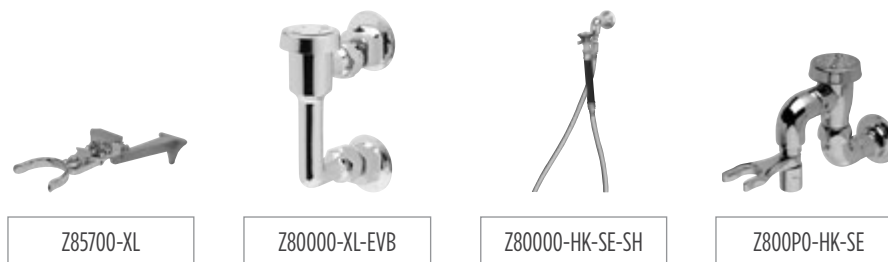
Z8002C



Z8003A

AQUASPEC® COMMERCIAL PRODUCTS ACCESSORIES

PRODUCT NO.	DESCRIPTION	OPTIONAL ACCESSORIES	CASE QTY.	WEIGHT (LBS.)	UPC	LIST PRICE
Foot Pedal Valve						
Z85100-XL	Floor-mounted, self-closing single foot pedal valve.		1	5.5	670240483774	220.03
Z85100-XL-WM	Wall-mounted, self-closing single foot pedal valve.		1	6.5	670240483835	374.05
Z85500-XL	Floor-mounted, self-closing double foot pedal valve.		1	5.5	670240483781	307.42
Z85500-XL-WM	Wall-mounted, self-closing double foot pedal valve.	-VC	1	9	670240483866	643.17
Supply Stops						
Z81006-XL	1/2" OD compression x 1/2" NPT supply stop.	-CR, -LR	12	1	889934068771	80.36
Z81016-XL	3/8" OD compression x 3/8" NPT supply stop.	-CR, -LR	12	1	-	88.48
Z81017-XL	3/8" OD compression x 1/2" NPT supply stop.	-CR, -LR	12	1	889934068757	80.36
Miscellaneous Accessories						
Z85700-XL	Knee action valve with mounting bracket.		1	12.5	670240447059	887.16
Z80000-XL-EVB	Elevated atmospheric vacuum breaker.		1	2	670240484023	212.30
Z80000-HK-SE-SH	Supply ell with a hose hook and a spray hose.	-SH1, -SH2, -SH3, -SH4	1	2	-	80.36
Z800P0-HK-SE	Wall supply with a 1/2" vacuum breaker and hose hook.	-SH, -SH1, -SH2, -SH3, -SH4	1	2.5	670240517509	141.74



FLUSH VALVES

FAUCETS

TEMP-GARD®

TUBULAR BRASS

FIXTURES

AQUAPARTS® REPAIR PARTS AND ASSEMBLIES

AQUASPEC® COMMERCIAL PRODUCTS ACCESSORIES

PRODUCT NO.	DESCRIPTION	OPTIONAL ACCESSORIES	CASE QTY.	WEIGHT (LBS.)	CHICAGO EQUAL	T&S BRASS EQUAL	UPC	LIST PRICE
Pre-Rinse Accessories								
Z800X0-XL-PR1	Pre-rinse unit assembly.	-PR2, -PR3	1	5	919-S		670240481633	335.75
Z800X0-XL-PR1-38	Pre-rinse unit assembly with 3/8" NPT connection.	-PR2, -PR3	1	5		B-1926	-	361.82
Z800X0-XL-AF-PR1	Combination pre-rinse unit and pot filler unit.	-PR2, -PR3	1	6			670240495241	580.82
Z800H2-XL-AF-11F	Add-On Faucet 12" Spout		1	2			670240786448	215.12
Z800I2-XL-AF-11F	Add-On Faucet 14" Spout		1	2			670240938304	223.18
Z800J2-XL-AF-11F	Add-On Faucet 9-1/2" Spout		1	2			670240869806	218.19
G62739	G62739 self-closing pre-rinse valve with a stay-open ring and rubber bumper spray head.		1	2	80-CP	B-0107	670240508699	88.37
G62740	G62740 angled, self-closing pre-rinse valve with a stay-open ring and rubber bumper spray head.		1	2	82-NEW	2853-40	670240586307	97.58
G62738	G62738 angled, self-closing pre-rinse valve with a stay-open ring and an aerated outlet.		1	2		B-107A	670240586314	82.83
Z80000-RS	Pre-rinse pipe support.		1	1	902	B-0110	670240431027	60.77
61699001	Riser inlet adapter for 3/8" NPT connection.						-	6.92
G66601	Chrome-plated in-line vacuum breaker – female.	-12F					670240545588	66.26
G66602	Chrome-plated in-line vacuum breaker – male.	-12M					670240545595	66.26
Pot Fillers								
Z875F1-15F	Wall mounted faucet with 6" cast spout and lever handle.	-LH, -2F, -3F, -4F, -11F, -16F, -17F, -18F, -19F, -21F, -22F	6	2.5	332	B-0216	889934096958	200.46
Z875K1-15F	Wall mounted faucet with 13" double-jointed spout and lever handle.	-DJ18, -LH, -2F, -3F, -4F, -11F, -16F, -17F, -18F, -19F, -21F, -22F	6	2.5		B-0262	889934100662	260.32
Z875H1-8XT-15F	Wall mounted faucet with 12" tubular brass swing spout and lever handle.	-LH, -11F, -16F, -17F, -18F, -19F, -21F, -22F	6	2.5	334-CP		-	218.09
Pot Filler Accessories								
Z80000-XL-HI24	Pre-rinse hose assembly with 6" insulated handle.		1	1.5	-	-	670240584631	92.26
Z80000-XL-HI36	Pre-rinse hose assembly with 6" insulated handle.		1	1.5	-	-	670240584648	103.88
Z80000-XL-HI72	Pre-rinse hose assembly with 6" insulated handle.		1	3	-	-	670240446175	125.41



Z800X0-XI-PR1



Z800X0-XL-PR1-38



Z800X0-XL-AF-PR1



Z800_2-XL-AF-11F



G62739



G62740



G62738



Z80000-HI



Z80000-RS



G66601



G66602



Z875F1-15F



Z875K1-15F



Z875H1-8XT-15F

PRODUCT NO.	DESCRIPTION	OPTIONAL ACCESSORIES	CASE QTY.	WEIGHT (LBS.)	CHICAGO EQUAL	T&S BRASS EQUAL	UPC	LIST PRICE
Hose Reel Accessories								
Z80000-PR4	High pressure wash down spray gun with brass internal housing.		1	1	-	MV-0516-22	670240581951	340.55
Z80000-XL-EVB	Elevated atmospheric vacuum breaker.		1	2	892	B-0929	670240484023	212.30
Z87302-CWO	Shower valve body, cold water only.	-IS	1	1.5	770	B-1025	670240451902	125.35
Z87302-IS-CS	Shower valve body, hot and cold water.		1	4	-	-	-	451.37
Glass and Pitcher Fillers								
Z83500-XL	Glass filler	-D13, -WM	1	2.5	709	B-1210	670240447110	423.95
Z83500-XL-WM	Glass filler		1	1	-	-	670240447134	399.08
Basket Strainers								
ZSS250-PC	Chrome-plated brass body with the "It Can't Skip" locknut. Stick-type stainless basket. Neoprene stopper.		40		-	-	670240535411	27.15
ZTT461-PC	Chrome-plated brass body with the "It Can't Skip" locknut. Four-prong stainless basket. Neoprene stopper.		40		-	-	670240535442	27.15
ZSS3000B-SS	Stainless steel stick type - stainless basket. Long shank for use with stainless steel sink.		32		-	-	670240535428	26.51
ZR426B-SS	Jr. 2" basket strainer. All stainless steel; crumb-cup style.		34		-	-	670240552890	11.15
Repair Parts								
G66001	Self-closing Cartridge						670240553927	44.21
G66002	Spray-Face Repair Kit						670240553934	27.65
G66003	Handle and Coupling Screw						670240553941	27.65
G66004	Handle, Washer, and Ring						670240553965	29.46
G66005	Male x Female Adaptor and Washers						670240553958	22.10
61896001	Pre-Rinse Hose Spring						-	44.07
92407001	Pre-Rinse Valve Repair Kit (New Style)						-	19.58



Z80000-XL-HI



Z80000-PR4



Z80000-XL-EVB



Z87302-CWO



Z87302-IS-CS



Z83500-XL



Z83500-XL-WM



ZSS250-PC



ZTT461-PC



ZSS3000B-SS



ZR426B-SS



G66001



G66002



G66003



G66004



G66005



61896001

PRODUCT NO.	DESCRIPTION	UPC	LIST PRICE
Aerator Adapters			
58252001	Aerator Vandal-Resistant Wrench	-	1.09
60524001	Aerator Adapter for the T, U, and V Spouts/ 3/8 NPSM Male x 3/4-27 Male	-	3.68
61602001	Aerator Adapter 3/4-27 Male x 13/16-27 Male	-	3.68
61766001	Aerator Adapter 3/4-27 Female x 15/16-27 Female	-	3.68
62455001	Aerator Adapter 3/4-27 Female x 3/8-18 Female NPSM	-	3.68
Ceramic Disc XL Cartridges			
59517005	Short Cold XL Quarter-Turn Ceramic Disc Cartridge	-	31.75
59517006	Short Hot XL Quarter-Turn Ceramic Disc Cartridge	-	31.75
59517007	Long Cold XL Quarter-Turn Ceramic Disc Cartridge	-	36.07
59517008	Long Hot XL Quarter-Turn Ceramic Disc Cartridge	-	36.07
G67922	Short Cold/Hot Quarter-Turn Ceramic Disc Cartridges	670240379145	67.58
G67923	Long Cold/Hot Quarter-Turn Ceramic Disc Cartridges	670240379152	76.84
Single Control Mixing Cartridges			
63233001	Single Control Mixing Cartridge for Z823 and Z824	-	34.94
80242001	Single Control Mixing Cartridge for Z822	-	35.42
92882001	VR Single Control Mixing Cartridge for Z822	-	31.97
93354001	VR Single Control Mixing Cartridge for Z823 and Z824	-	45.97
Cover Plates			
61534001	8" Cover Plate Assembly with Mounting Hardware for Z861, Z863, and Z825	-	112.16
G65333	4" Cover Plate Assembly with Mounting Hardware for Z861, Z863, and Z825	670240521674	57.87
G65505	8" Cover Plate for the Z823 Faucet	670240537330	142.23
G65506	4" Cover Plate for the Z822 Faucet	670240538429	72.07
G65514	8" Cover Plate for the Z822 Faucet	670240550162	142.23
Mixing Yokes			
G61681	Suffix Option -MY: Mixing Yoke	670240418318	53.10
G63361	Mixing Yoke for Z825, Z861, Z863	670240463431	53.10
G63362	Mixing Yoke with Check Stops for Z826	670240506916	62.58
G63363	Mixing Yoke with Check Stops for Z825, Z861, Z863	670240511491	62.58

PRODUCT NO.	DESCRIPTION	LIST PRICE
Body Assembly Parts and Mounting Hardware		
59440001	Handle Nut	- 3.30
59532001	Brass Coupling Nut 1/2"	- 2.39
60077001	Widespread Cartridge Cap	- 4.01
60078001	Widespread Cartridge Escutcheon	- 9.90
60080002	Widespread Gooseneck Pop-Up Base with Lift Rod Hole	- 21.79
60082001	Tall Threaded Bell Escutcheon	- 10.60
60144001	Widespread Shank Seal	- 1.14
60145001	Widespread Shank Nut (for -ICT only)	- 2.60
60145002	Widespread Flex Mount Shank Nut	- 1.09
60146001	Widespread Base Mounting Nut	- 2.27
60147001	Widespread Base Mounting Washer	- 1.14
60148001	Widespread Base Mounting Gasket	- 1.09
60249332	Widespread Stainless Steel Flex Hose	- 6.92
60382001	Widespread Fitting Washer	- 0.87
60383001	E Type Retaining Ring	- 0.66
60444001	Widespread Body Friction Washer	- 1.24
60444002	Widespread Friction Washer	- 1.52
60445001	Widespread Body Mounting Nut	- 4.33
60455001	Widespread Gasket	- 0.49
60467001	Centerset Gooseneck Base (New Style)	- 23.37
60467002	Kitchen Faucet Base with C/L Mark	- 18.01
60505001	Pop-Up Drain Assembly (-P)	- 52.35
60807001	Handle Nut (for #7 Handle Option)	- 18.44
60816001	Widespread Metering Escutcheon	- 5.90
61276002	Widespread Flex Mount Base Assembly with Hole	- 23.58
61276003	Widespread Flex Mount Base Assembly	- 21.63
61283002	Flex Mount Tee Assembly with Third Water Way (Flex Only)	- 46.78
61319001	Kitchen Hose and Spray Assembly (Standard -HS Option)	- 46.78
61406001	Widespread Flat Handle Escutcheon (#3, #5 Handles Only)	- 5.90
61488001	Cover Plate Stud	- 2.01
61625001	Extension -2XT	- 23.58
61625002	Extension -5XT	- 50.99
63534001	Plug for the Lift Rod Hole for Z81200-P	- 0.49
G60502	Mounting and Coupling Nuts	670240418646 12.57
G60530	Copper Supply Tubes for the Z822, Z823, Z824	670240414594 16.90
G61073	Mounting Bag for the Z826	670240418448 7.14
G61080	ICT Mounting Hardware Bag	670240418462 18.81
G61859	Flex Mounting Hardware Bag	670240441101 36.43
G63241	Mounting Components for Z82200	670240457690 35.49
G63272	Brass Mounting Nuts	670240458246 11.79
G63366	Mounting Nuts (Pair)	670240463080 9.06
G63367	Mounting Nut (Single)	670240463097 5.65
G67898	Tee Assembly for Z831 Flex	670240365346 37.58
G65339	Mounting Hardware for -P	670240543096 38.50
G67915	Copper Supply Tubes for the Z826	670240367036 60.34

AQUASPEC® REPAIR PARTS

PRODUCT NO.	DESCRIPTION		LIST PRICE
Supply Arms			
G60528	Long Supply Arm and Integral Stop Assembly	670240414587	52.38
G60551	Rough Chrome Long Supply Arm with Integral Stop Assembly	670240418578	43.99
G63347	Short Supply Arm with Check Stops	670240506923	54.85
G63364	Long Supply Arm with Check Stops	670240506930	99.39
G65336	Short Supply Arm Standard	670240522190	27.54
G66604	Deck Mount Supply Arm Assembly for the Z841 and Z842	670240554405	47.45
G66605	Deck Mount Supply Arm Assembly with Check Stops for the Z841 and Z842	670240554412	52.17
G66618	90° Supply Arm Elbow with Check Stops for Exposed Pipe Installation	670240574311	59.73

Metering Parts			
G60561	Handle Nut Assembly	670240414631	16.08
G61754	Metering Valve (Sleeve and Poppet)	670240625877	37.96
G65503	Cap Sealing Washer Assembly for Metering Handle Nut	670240529793	2.91
G68020	Metering Shank Filter Assembly	670240496811	5.98
G67889	Metering Repair Kit	670240355620	59.95

PRODUCT NO.	DESCRIPTION		LIST PRICE
Handle Parts			
59454001	Red Plastic Index Button for Handles	-	0.49
59454002	Blue Plastic Index Button for Handles	-	0.49
59454003	Black Plastic Index Button for Handles	-	0.49
60460001	Red Plastic Index Button for Metering Handles	-	0.49
60460002	Blue Plastic Index Button for Metering Handles	-	0.49
60460003	Black Plastic Index Button for Metering Handles	-	0.49
62464001	10-32 x .75 Stainless Steel Phillips Handle Screw	-	0.49
62705001	Metering Handle Setscrew	-	0.49
63234001	1/4" Knurled Cup Point Setscrew for Single Control Handle	-	0.49
G60500	One Hot and One Cold Index Bag	670240414532	1.10
G63237	Single Control Handle Assembly	670240457669	75.09
G60548	Color-Coded Index Bag: Red/Black/Blue	670240418639	1.66
G60558	Metering Index Bag: Blue, Black, Red	670240418523	1.66
G60562	Indexes Metering Hot and Cold	670240418530	1.10
G66684	Decorative Hot/Cold Indexes	670240651739	10.75

PRODUCT NO.	DESCRIPTION		LIST PRICE
Single Handles			
Handle Bag Contains: One Handle, One Red Index, One Blue Index, One Black Index, and One 10-32 x .75 Phillips Head Screw.			
G61071	Single Handle Option #1: 2-1/2" Lever Handle	670240418479	15.47
G61072	Single Handle Option #2: 3" Diameter Four-Arm Handle	670240418486	19.53
G60573	Single Handle Option #3: 2" Dome Lever Handle	670240418554	17.50
G60574	Single Handle Option #4: 4" Wrist Blade Handle	670240418561	40.16
G60576	Single Handle Option #6: 6" Wrist Blade Handle	670240418509	47.66
G63464	Single Handle Option #7: Tee Handle (No Indexes Available)	670240506589	10.81

Pair of Handles			
Handle Bag Contains: Two Handles, One Red Index, One Blue Index, and Two 10-32 x .75 Phillips Head Screws.			
G60501	Handle Option #1: Two 2-1/2" Lever Handles	670240414495	29.52
G60503	Handle Option #2: Two 3" Diameter Four-Arm Handles	670240414501	35.93
G60515	Handle Option #3: Two 2" Dome Lever Handles	670240414549	35.00
G60504	Handle Option #4: Two 4" Wrist Blade Handles	670240414518	53.37
G60508	Handle Option #6: Two 6" Wrist Blade Handles	670240414525	72.73

Metering Handles			
G60522	Single Tempered Push Handle Assembly Metering	670240414556	27.65
G61640	Single Hot Metering Handle	670240418370	27.65
G61641	Single Cold Metering Handle	670240418387	27.65
G61830	Hot and Cold Metering Handle (Handle Bag Contains: Index, Setscrew, and Handle.)	670240460874	51.56
G66678	Single Hot Institutional Metering Handle	670240665620	32.53
G66679	Single Cold Institutional Metering Handle	670240665637	32.53
G66680	Single Tempered Institutional Metering Handle	670240665644	32.53
G66681	Metering Rocker Handle, Hot	670240403567	39.72
G66682	Metering Rocker Handle, Cold	670240403574	39.72
G66683	Metering Rocker Handle, Tempered (Does not include index and setscrew.)	670240403581	39.72

When ordering parts, always list product number and description.
XL suffix denotes a Lead-free product.

For additional product information, please visit www.zurn.com.

AQUASPEC® REPAIR PARTS

PRODUCT NO.	DESCRIPTION	LIST PRICE
Spouts		
Spouts are shipped completed with a 5/8" spout nut. (Aerators must be ordered separately.)		
G61920	'D' Spout: 7-1/2" Cast Vacuum Breaker Spout with Bottom Support and Pipe Brace	670240441125 85.08
G61922	'D' Spout (-LVB): 7-1/2" Cast Spout with Threaded Outlet and Pail Hook	670240441149 137.68
G61995	E' Spout: Wall-Mounted 7-1/2" Cast Spout Top Brace and Pail Hook	670240441262 58.42
G66619	'J-18' Spout: 18" Tubular Brass Swing Spout	670240583535 128.84
G63510	DJ-18 Lower Spout Assembly for Use with 'K' Spout	670240511842 33.40
G62494	'K-DJ-18' Spout: Used with the K Spout for 18" Length	670240460201 128.57
G61078	Lower Spout Assembly for 'K' Spout	670240414396 42.40
G60553	'L' Spout (Rough Chrome): 2-1/2" Vacuum Breaker Spout with Integral 3/4" Hose Thread	670240418585 95.72
G60526	'L' Spout: 2-1/2" Vacuum Breaker Spout with Integral 3/4" Hose Thread	670240414570 104.93
G60554	'M' Spout: 5" Vacuum Breaker Spout with Wall Brace	670240414600 163.83
G60555	'M' Spout (Rough Chrome): 5" Vacuum Breaker Spout with Wall Brace	670240418592 143.60
G60556	'N' Spout: 6" Centerline Cast Vacuum Breaker Spout with 3/4" Hose Thread	670240414617 185.06
G60557	N' Spout Less Hook (Rough Chrome): 6" Centerline Cast Vacuum Breaker Spout with 3/4" Hose Thread	670240418608 161.97

PRODUCT NO.	DESCRIPTION	LIST PRICE
Spout Parts		
58155018	Gooseneck O-ring	- 0.76
59435001	Spout Nut	- 5.52
59436001	Rigid Washer for Spouts	- 0.49
59441001	Bearing Washer	- 3.25
59459001	Spout Seal	- 1.36
59460001	Retaining Ring	- 1.14
59666001	Split Swing Washer	- 0.71
60510001	2.0 gpm Flow Control Assembly	- 6.92
60549001	Friction Washer	- 0.98
60951001	3/8" Vacuum Breaker Polished Chrome Plated	- 24.88
61896001	Pre-Rinse Hose Spring	- 44.07
62301001	VB Repair Kit 1/2"	- 13.74
63219001	VB Repair Kit 3/8"	- 14.44
G60523	Spout Repair Kit Swing Only (Contains: 59441001, 59460001, and 59459001)	670240414563 5.65
G61924	2XT Brace Assembly	670240441170 46.02
G61928	5XT Brace Assembly	670240441200 51.56

PRODUCT NO.	DESCRIPTION	LIST PRICE
Lead-free (XL) Spouts		
G67851	'A' Spout: 3-1/2" Centerline Gooseneck	670240358737 58.73
G67856	'A' Spout: 3-1/2" Flow Control Centerline	670240358768 59.68
G67983	'A' Swing Spout: 140° Restricted	670240471047 105.54
G67852	'B' Spout: 5-3/8" Centerline Gooseneck	670240358744 68.62
G67857	'B' Spout: 5-3/8" Flow Control Centerline	670240358775 69.60
G67984	'B' Swing Spout: 140° Restricted	670240471054 117.05
G67853	'C' Spout: 8" Centerline Gooseneck	670240358751 88.26
G67858	'C' Spout: 8" Flow Control Centerline	670240358782 89.52
G67985	'C' Swing Spout: 140° Restricted	670240471061 100.05
G67890	'F' Spout: 6" Cast Brass	670240370869 69.60
G67891	'G' Spout: 8" Cast Brass	670240365377 89.52
G67892	'H' Swing Spout: 12" Tubular Brass	670240370876 69.60
G67893	'I' Swing Spout: 14" Tubular Brass	670240370883 69.60
G67894	'J' Swing Spout 9-1/2" Tubular Brass	670240374751 69.60
G67987	'J' Swing Spout: 140° Restricted	670240471085 103.40
G67895	'K' Swing Spout: 13" Double-Jointed Brass	670240370890 138.88
G67866	'R' Spout: 5" Centerline Flex Connection with Pop-up	670240358799 73.34
G67867	'R' Spout: 5" Centerline Flex Connection	670240358805 73.34
G67868	'R' Spout: 5" Centerline Low Profile -ICT	670240358812 69.60
G67869	'R' Spout: 5" Centerline Low Profile -ICT with Pop-up	670240358829 69.60
G67986	'S' Swing Spout: 140° Restricted	670240471078 100.05
G67963	'S' Spout 8" Bent Riser Spout	670240446373 76.41
G67990	'T' Spout 4-1/2" Centerline Vacuum Breaker Spout	670240486539 109.59
G67991	'U' Spout 6" Centerline Vacuum Breaker Spout	670240486546 114.85
G67992	'V' Spout 8" Centerline Vacuum Breaker Spout	670240486553 114.85
G67964	'Y' Spout 6" Tubular Brass Spout	670240446380 39.72

TEMP-GARD®

TEMP-GARD® FAUCETS	86	TEMP-GARD® AQUA-PANEL OPTIONS	93	MISCELLANEOUS AQUA-PANEL PARTS	99
SIERRA® LEAD-FREE FAUCETS	86	AQUA-PANEL OPTIONS	93	SIERRA® FAUCET REPAIR KITS	99
SIERRA® CERAMIC DISC KITCHEN FAUCETS	86	SHROUD THICKNESS MODIFICATIONS	93	SIERRA® FAUCET AERATORS, Z7440	99
SIERRA® 4" CENTERSSET FAUCET	86	CUSTOM MODIFICATIONS	93	SIERRA® FAUCET HANDLES, Z7440	99
AERATOR OPTIONS	86	TEMP-GARD® ACCESSORIES	94	SIERRA® FAUCET AERATORS, Z74500	99
STRAINER OPTIONS	86	TEMP-GARD I SHOWER VALVE SERIES HANDLES	94	Z74500, Z74600, AND Z74700 HANDLES AND INDEXES	99
MISCELLANEOUS OPTIONS	86	TEMP-GARD III SHOWER VALVE SERIES HANDLES	94	MISCELLANEOUS SIERRA® FAUCET PARTS	99
TEMP-GARD® SERIES I - SHOWER VALVES	87	ARMS	94	Z7870 SERIES REPAIR KITS	100
Z7100 SERIES	87	CONVERSION HARDWARE FOR SHOWER VALVES	94	Z7870C SERIES AERATORS	100
Z7101 SERIES	87	SHOWER HEADS	94		
Z7120 SERIES	88	INSTITUTIONAL SHOWER HEADS	95		
Z7121 SERIES	88	DIVERTER VALVES AND SPRING CHECKS	95		
Z7200 SERIES	88	MISCELLANEOUS DIVERTER VALVE PARTS	95		
Z7201 SERIES	89	HANDWALL UNITS	95		
Z7220 SERIES	89	HANDSHOWER UNITS	96		
Z7221 SERIES	89	MISCELLANEOUS HANDWALL PARTS	96		
TEMP-GARD® SERIES III - SHOWER VALVES	90	HANDWALL AND HANDSHOWER OPTIONS/ACCESSORIES	96		
Z7300 SERIES	90	TUB SPOUTS	96		
Z7301 SERIES	90	ATMOSPHERIC VACUUM BREAKERS	96		
Z7302 SERIES	90	METERING VALVES	96		
TEMP-GARD® AQUA-PANEL	91	REPAIR KIT FOR METERING VALVE	96		
Z7500 SERIES	91	TRACT PACKS FOR TEMP-GARD I SERIES VALVES	96		
Z7500-CR SERIES	91	TRACT PACKS FOR TEMP-GARD III SERIES VALVES	97		
Z7500-FL SERIES	91	TRIM PACKS FOR TEMP-GARD I SERIES VALVES	97		
Z7500-TS SERIES	92	TRIM PACKS FOR TEMP-GARD III SERIES VALVES	98		
Z7500-W2 SERIES	92	SHOWER VALVE REPAIR KITS FOR TEMP-GARD I SERIES VALVES	98		
Z7500-W3 SERIES	92	SHOWER VALVE REPAIR KITS FOR TEMP-GARD III SERIES VALVES	98		
Z7530 SERIES	92	MISCELLANEOUS TEMP-GARD I PARTS	98		
Z7533 SERIES	93	MISCELLANEOUS TEMP-GARD III PARTS	99		
Z7550 SERIES	93	SHOWER VALVE REPAIR KITS FOR AQUA-PANEL	99		

TEMP-GARD® FAUCETS

PRODUCT NO.	DESCRIPTION	UPC	LIST PRICE
-------------	-------------	-----	------------

Sierra® Lead-free Faucets

Polished chrome-plated 4" centerset single control lavatory faucet with 5" integral spout, a ceramic disc cartridge and a temperature limit stop. Unit is furnished with 2.2 GPM variable orifice aerator (complying with ANSI A112.18.1M Standard for flow), an ADA compliant lever handle, 3/8" stainless steel flex hose 18 inches in length with 3/8" female compression fitting. Standard units and models listed below.

Z7440-XL	4" centerset Sierra faucet with 1/2" IPS connections, lever handle, and no pop-up hole	670240365926	230.65
Z7441-XL	4" centerset Sierra faucet with 1/2" IPS connections, lever handle, and lift rod	670240371750	237.98
Z7442-XL	4" centerset Sierra faucet with 1/2" IPS connections, lever handle, and metal pop-up	670240370937	256.89
Z7443-XL	4" centerset Sierra faucet with 1/2" IPS connections, lever handle, no pop-up hole, and grid strainer	670240370968	247.74

Sierra® Ceramic Disc Kitchen Faucets

Polished chrome-plated 8" centerset single control kitchen faucet with integral 8" brass D-tube swing spout and a ceramic disc cartridge. Unit is furnished with 2.2 GPM variable orifice aerator (complying with ANSI A112.18.1M Standard for flow), an ADA compliant lever handle, 3/8" stainless steel flex hose 18 inches in length with 3/8" female compression fitting, cover plate, remote mounted hose spray with escutcheon, and mounting hardware.

Z7872C-XL	8" Centerset Single Control Kitchen Faucet with Hose Spray	670240376052	241.28
Z7870C-XL	8" Centerset Single Control Kitchen Faucet, Less Hose Spray	670240376045	205.95

Sierra® 4" Centerset Faucet

Polished chrome-plated 4" centerset faucet with integral shanks, quarter-turn ceramic disc cartridges, and a 4-1/2" centerline integral spout. Unit is furnished with a 2.2 GPM variable orifice aerator (complying with ANSI A112.18.1 Standard for flow), 2-1/2" vandal-resistant brass lever handles, mounting hardware, and 1/2" coupling nuts for standard lavatory risers.

Z74500-XL	Polished Chrome-Plated 4" Centerset Faucet	670240861213	158.07
-----------	--	--------------	--------

SUFFIX	ADD
--------	-----

Aerator Options

-FC	0.5 GPM vandal-resistant aerator	15.04
-LA	2.2 GPM laminar flow outlet	11.08
-SO	1.0 GPM spray outlet	9.35
-VP	2.2 GPM vandal-resistant aerator	9.35

Strainer Options

-G	Grid strainer (Z8743-PC)	28.40
-GH	ADA grid strainer (Z8746-PC)	42.61

Miscellaneous Options

-CST	3/8" copper inlets for Z744 _XL ONLY	16.67
-P	Pop-up drain (7342-PUA)	51.11
-PR	ADA trap, stop, and supply protectors (Z8946-1-NT)	116.60
-PRH	ADA trap, stop, and supply protectors for offset grid strainer (Z8946-3-NT)	147.35



Z744_XL



Z7872C-XL



Z74500-XL

TEMP-GARD® SERIES I - SHOWER VALVES

PRODUCT NO.	DESCRIPTION	OPTIONAL ACCESSORIES	WEIGHT (LBS.)	UPC	LIST PRICE
Z7100 Series					
All Z7100 units are shower only. Shower with arm and shower heads may not be added (see Z7101 series). Does not include shower head, shower arm, or the arm escutcheon. 1/2" female copper solder inlet connections are standard. ASSE Listed 1016, IAPMO Listed, CSA Certified B125.					
Z7100-SS-LH	The Z7120 series shower valve is a shower only with service stops and integral volume control that incorporates the pressure balanced piston design feature. One cold inlet port and one hot inlet port, with a shower outlet port. The valve includes ABS plastic chrome-plated trim (cover, escutcheon, and metal lever handle).	-BC, -CC, -DT, -DV-2P, -HW, -HW6, -IP, -MT, -RC, -SC, -WF	4	670240605305	248.93
Z7100-SS-MT	The Z7100 series shower valve is a shower only with service stops that incorporates the pressure balanced piston design feature. One cold inlet port and one hot inlet port, with a shower outlet port. The valve includes metal chrome-plated trim (cover, nut, escutcheon, and metal lever handle).	-BC, -CC, -DT, -DV-2P, -HW, -HW6, -IP, -RC, -SC, -WF	4.5	-	260.73
Z7100-SS-LH-HW	The Z7100 series shower valve is a shower only with service stops that incorporates the pressure balanced piston design feature. One cold inlet port and one hot inlet port, with a shower outlet port. The valve includes ABS plastic chrome-plated trim (cover, escutcheon, and metal lever handle). Unit is also furnished with handwall shower unit, 60" metal hose, standard handset, supply elbow and flange, 24" slide bar.	-BC, -CC, -DT, -DV-2P, -H7, -H9, -HW6, -IP, -MT, -RC, -SC, -WF	7.5	-	473.30
Z7101 Series					
All Z7101 units are shower only with accessories (Z7000-S1 and Z7000-A1). Includes shower head, shower arm, and the arm escutcheon. 1/2" female copper solder inlet connections are standard. ASSE Listed 1016, IAPMO Listed, CSA Certified B125.					
Z7101-SS-LH	The Z7101 series shower valve is a shower only with service stops that incorporates the pressure balanced piston design feature. One cold inlet port and one hot inlet port, with a shower outlet port. The valve includes ABS plastic chrome-plated trim (cover, escutcheon, and metal lever handle).	-A2, -BC, -CC, -DT, -DV-2P, -HW, -HW6, -IP, -MT, -RC, -SC, -S5, -S6, -S7, -S8, -S9, -S10, -WF	4	670240605329	273.31
Z7101-SS-MT	The Z7101 series shower valve is a shower only with service stops that incorporates the pressure balanced piston design feature. One cold inlet port and one hot inlet port, with a shower outlet port. The valve includes metal chrome-plated trim (cover, nut, escutcheon, and metal lever handle).	A2, -BC, -CC, -DT, -DV-2P, -HW, -HW6, -IP, -RC, -SC, -S5, -S6, -S7, -S8, -S9, -S10, -WF	4.5	670240392694	282.75
Z7101-SS-LH-DV-2P-HW	The Z7101 series shower valve is a shower only with service stops that incorporates the pressure balanced piston design feature. One cold inlet port and one hot inlet port, with a shower outlet port. The valve includes ABS plastic chrome-plated trim (cover, escutcheon, and metal lever handle). Unit is also furnished with two-way diverter valve (DV-2P), handwall unit, 60" metal hose, standard handset, supply elbow and flange, 24" slide bar.	-A2, -BC, -CC, -DT, -H7, -H9, -HW6, -IP, -MT, -RC, -SC, -S5, -S6, -S7, -S8, -S9, -S10, -WF	7.5	-	572.10



PRODUCT NO.	DESCRIPTION	OPTIONAL ACCESSORIES	WEIGHT (LBS.)	UPC	LIST PRICE
Z7120 Series					
All Z7120 units are shower only with volume control. Shower arm and shower heads may not be added (see Z7121 series). Does not include shower head, shower arm, or the arm escutcheon. 1/2" female copper solder inlet connections are standard. ASSE Listed 1016, IAPMO Listed, CSA Certified B125.					
Z7120-SS-LH	The Z7120 series shower valve is a shower only with service stops and integral volume control that incorporates the pressure balanced piston design feature. One cold inlet port and one hot inlet port, with a shower outlet port. The valve includes ABS plastic chrome-plated trim (cover, escutcheon, and metal lever handle).	-BC, -CC, -DT, -DV-2P, -HW, -HW6, -IP, -MT, -RC, -SC, -WF	4	670240605343	284.16
Z7120-SS-MT	The Z7120 series shower valve is a shower only with service stops and integral volume control that incorporates the pressure balanced piston design feature. One cold inlet port and one hot inlet port, with a shower outlet port. The valve includes metal chrome-plated trim (cover, nut, escutcheon, and metal lever handle).	-BC, -CC, -DT, -DV-2P, -HW, -HW6, -IP, -RC, -SC, -WF	4.5	670240605565	295.95
Z7120-SS-LH-HW	The Z7120 series shower valve is a shower only with service stops and integral volume control that incorporates the pressure balanced piston design feature. One cold inlet port and one hot inlet port, with a shower outlet port. The valve includes ABS plastic chrome-plated trim (cover, escutcheon, and metal lever handle). Unit is also furnished with handwall shower unit, 60" metal hose, standard handset, supply elbow and flange, 24" slide bar.	-BC, -CC, -DT, -DV-2P, -H7, -H9, -HW6, -IP, -MT, -RC, -SC, -WF	7.5	-	508.48
Z7121 Series					
All Z7121 units are shower only with volume control and accessories (Z7000-S1 and Z7000-A1).					
Z7121-SS-LH	The Z7121 series shower valve is a shower only with service stops and integral volume control that incorporates the pressure balanced piston design feature. One cold inlet port and one hot inlet port, with a shower outlet port. The valve includes ABS plastic chrome-plated trim (cover, escutcheon, and metal lever handle). The Z7121 includes shower head, shower arm, or the arm escutcheon. 1/2" female copper solder inlet connections are standard. ASSE Listed 1016, IAPMO Listed, CSA Certified B125.	A2, -BC, -CC, -DT, -DV-2P, -HW, -HW6, -IP, -MT, -RC, -SC, -S5, -S6, -S7, -S8, -S9, -S10, -WF	4.5	670240390652	309.71
Z7121-SS-MT	The Z7121 series shower valve is a shower only with service stops and integral volume control that incorporates the pressure balanced piston design feature. One cold inlet port and one hot inlet port, with a shower outlet port. The valve includes metal chrome-plated trim (cover, nut, escutcheon and metal lever handle). The Z7121 includes shower head, shower arm, or the arm escutcheon. 1/2" female copper solder inlet connections are standard. ASSE Listed 1016, IAPMO Listed, CSA Certified B125.	-A2, -BC, -CC, -DT, -DV-2P, -HW, -HW6, -IP, -RC, -SC, -S5, -S6, -S7, -S8, -S9, -S10, -WF	5	-	321.44
Z7200 Series					
All Z7200 units are tub and shower mixing valves. Shower arm, shower heads, and tub spouts may not be added (see the Z7201 series). Does not include shower head, shower arm, arm escutcheon or tub spout. 1/2" female solder inlet connections are standard. ASSE Listed 1016, IAPMO Listed, CSA Certified B125.					
Z7200-SS-LH	The Z7200 series is a tub and shower mixing valve with service stops that incorporates the pressure balance piston design feature. It is supplied with built-in choke and adjustable stop screw to limit maximum temperature. The valve includes ABS plastic chrome-plated trim (cover, escutcheon, and metal lever handle).	-BC, -CC, -DT, -DV-2P, -HW, -HW6, -IP, -MT, -RC, -SC, -WF	4	670240605374	247.81
Z7200-SS-MT	The Z7200 series is a tub and shower mixing valve with service stops that incorporates the pressure balance piston design feature. It is supplied with built-in choke and adjustable stop screw to limit maximum temperature. The valve includes metal chrome-plated trim (cover, nut, escutcheon, and metal lever handle).	-BC, -CC, -DT, -DV-2P, -HW, -HW6, -IP, -RC, -SC, -WF	4.5	670240605572	274.32
Z7200-SS-LH-HW	The Z7200 series is a tub and shower mixing valve with service stops that incorporates the pressure balance piston design feature. It is supplied with built-in choke and adjustable stop screw to limit maximum temperature. The valve includes ABS plastic chrome-plated trim (cover, escutcheon, and metal lever handle). Unit is also furnished with handwall shower unit, 60" metal hose, standard handset, supply elbow and flange, 24" slide bar.	-BC, -CC, -DT, -DV-2P, -H7, -H9, -HW6, -IP, -MT, -RC, -SC, -WF	7.5	-	470.62



For additional product information, please visit www.zurn.com.

When ordering parts, always list product number and description.

PRODUCT NO.	DESCRIPTION	OPTIONAL ACCESSORIES	WEIGHT (LBS.)	UPC	LIST PRICE
Z7201 Series					
All Z7201 units are tub and shower mixing valves with accessories (Z7000-A1, Z7000-S1 and Z7000-T2). Does include shower head, shower arm, arm escutcheon, and tub spout. 1/2" female solder inlet connections are standard. ASSE Listed 1016, IAPMO Listed, CSA Certified B125.					
Z7201-SS-LH	The Z7201 series is a tub and shower mixing valve with service stops that incorporates the pressure balance piston design feature. It is supplied with built-in choke and adjustable stop screw to limit maximum temperature. The valve includes ABS plastic chrome-plated trim (cover, escutcheon, and metal lever handle).	-A2, -BC, -CC, -DT, -DV-2P, -HW, -HW6, -IP, -MT, -RC, -SC, -S5, -S6, -S7, -S8, -S9, -S10, -T2-SJ, -T4, -WF	4.5	670240605398	316.08
Z7201-SS-MT	The Z7201 series is a tub and shower mixing valve with service stops that incorporates the pressure balance piston design feature. It is supplied with built-in choke and adjustable stop screw to limit maximum temperature. The valve includes metal chrome-plated trim (cover, nut, escutcheon, and metal lever handle).	-A2, -BC, -CC, -DT, -DV-2P, -HW, -HW6, -IP, -RC, -SC, -S5, -S6, -S7, -S8, -S9, -S10, -T2-SJ, -T4, -WF	5	670240605589	328.55
Z7220 Series					
All Z7220 units are tub and shower mixing valves with volume control/ integral diverter. Shower arm, shower heads, and tub spouts may not be added (see Z7221 series). Does not include shower head, shower arm, arm escutcheon or tub spout. 1/2" female solder inlet connections are standard. ASSE Listed 1016, IAPMO Listed, CSA Certified B125.					
Z7220-SS-LH	The Z7220 series is a tub and shower mixing valve with service stops and integral diverter that incorporates the pressure balance piston design feature. It is supplied with integral diverter valve and adjustable stop screw to limit maximum temperature. The valve includes ABS plastic chrome-plated trim (cover, escutcheon, and metal lever handle).	-BC, -CC, -DT, -DV-2P, -HW, -HW6, -IP, -MT, -RC, -SC, -WF	4	670240605404	294.45
Z7220-SS-MT	The Z7220 series is a tub and shower mixing valve with service stops and integral diverter that incorporates the pressure balance piston design feature. It is supplied with integral diverter valve and adjustable stop screw to limit maximum temperature. The valve includes metal chrome-plated trim (cover, nut, escutcheon, and metal lever handle).	-BC, -CC, -DT, -DV-2P, -HW, -HW6, -IP, -RC, -SC, -WF	4.5	-	306.85
Z7221 Series					
All Z7221 units are tub and shower mixing valves with volume control/integral diverter. Units include accessories (Z7000-A1, Z7000-S1, and Z7000-T1). Does include shower head, shower arm, arm escutcheon, and tub spout. 1/2" female solder inlet connections are standard. ASSE Listed 1016, IAPMO Listed, CSA Certified B125.					
Z7221-SS-LH	The Z7221 series is a tub and shower mixing valve with service stops and integral diverter that incorporates the pressure balance piston design feature. It is supplied with integral diverter valve and adjustable stop screw to limit maximum temperature. The valve includes ABS plastic chrome-plated trim (cover, escutcheon, and metal lever handle).	-A2, -BC, -CC, -DT, -DV-2P, -HW, -HW6, -IP, -MT, -RC, -SC, -S5, -S6, -S7, -S8, -S9, -S10, -T1-SJ, -T3, -WF	4.5	670240605411	333.19
Z7221-SS-MT	The Z7221 series is a tub and shower mixing valve with service stops and integral diverter that incorporates the pressure balance piston design feature. It is supplied with integral diverter valve and adjustable stop screw to limit maximum temperature. The valve includes metal chrome-plated trim (cover, nut, escutcheon, and metal lever handle).	-A2, -BC, -CC, -DT, -DV-2P, -HW, -HW6, -IP, -RC, -SC, -S5, -S6, -S7, -S8, -S9, -S10, -T1-SJ, -T3, -WF	5	-	345.60
Z7221-SS-LH-DV-2P-HW	The Z7221 series is a tub and shower mixing valve with service stops and integral diverter that incorporates the pressure balance piston design feature. It is supplied with integral diverter valve and adjustable stop screw to limit maximum temperature. The valve includes ABS plastic chrome-plated trim (cover, escutcheon, and metal lever handle). Unit is also furnished with two-way diverter valve (DV-2P), handwall unit, 60" metal hose, standard handset, supply elbow and flange, 24" slide bar.	-A2, -BC, -CC, -DT, -DV-3P, -H7, -H9, -HW6, -IP, -MT, -RC, -SC, -S5, -S6, -S7, -S8, -S9, -S10, -T1-SJ, -T3, -WF	8	-	648.93



TEMP-GARD® SERIES III - SHOWER VALVES

PRODUCT NO.	DESCRIPTION	OPTIONAL ACCESSORIES	WEIGHT (LBS.)	UPC	LIST PRICE
Z7300 Series					
All Z7300 units are tub and shower mixing valves. Unit is not furnished with accessories. For shower only with accessories see Z7301 valve series or for tub and shower with accessories see Z7302 valve series. ASSE 1016 listed, CSA B125 certified, ASME A112.18.1 tested, and IAPMO listed. Copper sweat connections are available; please specify -SSC.					
Z7300-SS-MT	The Z7300 series is a pressure balanced, single handle tub and shower 4-port mixing valve only with service stops/check stops, metal chrome-plated trim and handle, 1/2" female NPT inlets and outlets, ceramic control cartridge, adjustable temperature limit stop, and separate tub port plug.	-CPVC, -DT, -DV-2P, -HW, -HW6, -PEX, -SSC, -ST, -STN, -WF	9.6	670240651340	194.80
Z7300-SS-MT-HW	The Z7300 series is a pressure balanced, single handle tub and shower 4-port mixing valve only with service stops/check stops, metal chrome-plated trim and handle, 1/2" female NPT inlets and outlets, ceramic control cartridge, adjustable temperature limit stop, and separate tub port plug. Unit is also furnished with handwall shower unit, 60" metal hose, standard handset, supply elbow and flange, 24" slide bar.	-CPVC, -DT, -DV-2P, -H7, -H9, -HW6, -PEX, -SSC, -ST, -S10, -WF	8	670240651388	441.54
Z7301 Series					
All Z7301 units are shower only mixing valves. Unit is furnished with accessories (Z7000-A1 and Z7000-S1). ASSE 1016 listed, CSA B125 Certified, ASME A112.18.1 tested, and IAPMO listed. Copper sweat connections are available; please specify -SSC.					
Z7301-SS-MT	The Z7301 series is a pressure balanced, single handle shower 4-port mixing valve only with service stops/check stops, metal chrome-plated trim and handle, 1/2" female NPT inlets and outlets, ceramic control cartridge, adjustable temperature limit stop, and tub port plug. Unit is furnished with accessories Z7000-S1 shower head and Z7000-A1 shower arm and flange.	-A2, -CPVC, -DT, -DV-2P, -HW, -HW6, -PEX, -SSC, -ST, -STN, -S5, -S6, -S7, -S8, -S9, -S10, -WF	5.1	670240651357	197.26
Z7301-SS-MT-DV-2P-HW	The Z7301 series is a pressure balanced, single handle shower 4-port mixing valve only with service stops/check stops, chrome-plated trim and handle, 1/2" female NPT inlets and outlets, ceramic control cartridge, adjustable temperature limit stop, and tub port plug. Unit is furnished with accessories Z7000-S1 shower head and Z7000-A1 shower arm and flange, two-way diverter valve (DV-2P), handwall unit, 60" metal hose, standard handset, supply elbow and flange, 24" slide bar.	-A2, -CPVC, -DT, -H7, -H9, -HW6, -PEX, -SSC, -ST, -S5, -S6, -S7, -S8, -S9, -S10, -WF	10.7	670240405837	561.93
Z7302 Series					
All Z7302 units are tub and shower mixing valves. Unit is furnished with accessories (Z7000-A1, Z7000-S1, and Z7000-T2). ASSE 1016 listed, CSA B125 certified, ASME A112.18.1 tested, and IAPMO listed. Copper sweat connections are available; please specify -SSC.					
Z7302-SS-MT	The Z7302 series is a pressure balanced, single handle tub and shower 4-port mixing valve only with service stops/check stops, metal chrome-plated trim and handle, 1/2" female NPT inlets and outlets, ceramic control cartridge, and adjustable temperature limit stop. Unit is furnished with accessories Z7000-S1 shower head, Z7000-A1 shower arm and flange, and Z7000-T2 diverter tub spout.	-A2, -CPVC, -DT, -DV-2P, -HW, -HW6, -PEX, -SSC, -ST, -STN, -S5, -S6, -S7, -S8, -S9, -S10, -T2-SJ, -T4, -WF	5.7	670240651371	218.56
Z7302-SS-MT-DV-2P-HW	The Z7302 series is a pressure balanced, single handle tub and shower 4-port mixing valve only with service stops/check stops, metal chrome-plated trim and handle, 1/2" female NPT inlets and outlets, ceramic control cartridge, and adjustable temperature limit stop. Unit is furnished with accessories Z7000-S1 shower head and Z7000-A1 shower arm and flange, Z7000-T2 diverter tub spout, two-way diverter valve (DV-2P), handwall unit, 60" metal hose, standard handset, supply elbow and flange, 24" slide bar.	-A2, -CPVC, -DT, -H7, -H9, -HW6, -PEX, -SSC, -ST, -S5, -S6, -S7, -T2-SJ, -S8, -S9, -S10, -T4, -WF	11.2	-	583.28



Z7300-SS-MT



Z7300-SS-MT-HW



Z7301-SS-MT



Z7301-SS-MT-DV-2P-HW



Z7302-SS-MT



Z7302-SS-MT-DV-2P-HW

TEMP-GARD® AQUA-PANEL

PRODUCT NO.	DESCRIPTION	WEIGHT (LBS.)	UPC	LIST PRICE
Z7500 Series				
Stainless steel shower unit of 18-gauge shroud with pressure balanced mixing valve, service stops, and metal lever handle. The unit is complete with an institutional brass ball joint shower head, soap dish, and piping.				
Z7500	Standard shroud - Length 32"	13	670240570139	1157.67
Z7500-DV-2P-HW	Standard shroud with two way diverter valve w/handwall shower unit complete with 24"[610mm] mounting bar unit, 60"[1524mm] metal hose and standard handset.	21	-	1753.31
Z7500-HW	Standard shroud with handwall shower unit complete with 24"[610mm] mounting bar, 60"[1524mm] metal hose and standard handset.	15	670240604964	1389.37
Z7500-i2	Standard shroud with 2.5 gpm fixed spray institutional shower head	12.5	670240604971	1130.61
Z7500-LS	Standard shroud less soap dish	12.5	670240570184	1106.45
Z7500-SL	Short shroud - Length 26"	12	670240570191	1069.89
Z7500-CR Series				
Stainless steel shower unit for corner installations of 18-gauge shroud with pressure balanced mixing valve, service stops, and metal lever handle. The unit is complete with an institutional brass ball joint shower head, soap dish, and piping.				
Z7500-CR		15	670240570146	1402.79
Z7500-CR-DV-2P-HW		23	-	1956.10
Z7500-CR-HW		17	670240636682	1684.71
Z7500-CR-i2		14.5	670240636675	1376.85
Z7500-CR-LS		14.5	670240570153	1352.86
Z7500-CR-SL		14	670240570160	1316.13
Z7500-FL Series				
Stainless steel shower unit for flush installations of 18-gauge shroud with pressure balanced mixing valve, service stops, and metal lever handle. The unit is complete with an institutional brass ball joint shower head, severe service brackets, and piping.				
Z7500-FL		13	670240570177	1379.31
Z7500-FL-DV-2P-HW		21	-	1932.96
Z7500-FL-HW		15	670240636712	1661.78
Z7500-FL-i2		12.5	670240636705	1353.36
Z7500-FL-RSD		14	670240636736	1714.01



Z7500



Z7500-DV-HW



Z7500-HW



Z7500-i2



Z7500-CR



Z7500-FL

PRODUCT NO.	DESCRIPTION	WEIGHT (LBS.)	UPC	LIST PRICE
Z7500-TS Series				
Stainless steel tub and shower unit of 18-gauge shroud with pressure balanced mixing valve with diverter tub spout, service stops, and metal lever handle. The unit is complete with an institutional brass ball joint shower head and piping.				
Z7500-TS		18	670240570207	2167.29
Z7500-TS-i2		26	670240636743	2142.12
Z7500-TS-HW		26	670240636750	2376.79

Z7500-W2 Series				
Stainless steel shower unit of 18-gauge shroud with two pressure balanced mixing valves, service stops, and metal lever handles. The unit is complete with an institutional brass ball joint shower head and piping with severe service brackets.				
Z7500-W2		22	670240570214	3148.94
Z7500-W2-i2		25.5	670240636767	3097.11
Z7500-W2-HW	Unit with one handwall.	25.5	670240636774	3358.16

Z7500-W3 Series				
Stainless steel shower unit of 18-gauge shroud with three pressure balanced mixing valves, service stops, and metal lever handles. The unit is complete with an institutional brass ball joint shower head and piping with severe service brackets.				
Z7500-W3		30	670240570221	3760.85
Z7500-W3-i2		33.5	670240636781	3683.13
Z7500-W3-HW	Unit with one handwall.	33.5	670240636798	3970.02

Z7530 Series				
Stainless steel shower unit of 18-gauge shroud with push button metering valve for tempered water systems and service stop. The unit is complete with an institutional brass ball joint shower head, soap dish, and piping.				
Z7530		13	670240570245	1448.42
Z7530-DV-2P-HW		21	-	2014.76
Z7530-HW		15	670240636590	1700.42
Z7530-i2		12.5	670240636583	1392.45
Z7530-LS		12.5	670240570252	1368.24
Z7530-SL		12	670240570269	1331.73



PRODUCT NO.	DESCRIPTION	WEIGHT (LBS.)	UPC	LIST PRICE
Z7533 Series				
Stainless steel shower unit of 18-gauge shroud with pressure balanced mixing valve and slow-closing push button metering valve, service stops, and metal lever handle. The unit is complete with an institutional brass ball joint shower head, soap dish, and piping. Includes Z7000-SC dual spring checks for cross connection protection.				
Z7533		15	670240570276	1616.89
Z7533-DV-2P-HW		24	-	2280.06
Z7533-HW		18	670240636651	1826.05
Z7533-i2		14.5	670240636644	1591.00
Z7533-LS		14.5	670240570283	1566.79
Z7533-SL		14	670240570290	1530.17

Z7550 Series				
Stainless steel shower unit of 18-gauge shroud with volume control on/off valve for tempered water systems and service stop. The unit is complete with an institutional brass ball joint shower head, soap dish, and piping.				
Z7550		12	670240570306	1172.27
Z7550-DV-2P-HW		20	-	1768.35
Z7550-HW		14	670240636620	1446.97
Z7550-i2		11.5	670240636613	1145.99
Z7550-LS		11.5	670240570313	1121.95
Z7550-SL		11	670240570320	1085.33



Z7533



Z7550

TEMP-GARD® AQUA-PANEL OPTIONS

PRODUCT NO.	DESCRIPTION	NET/LINEAR INCH	LIST PRICE
Aqua-Panel Options			
-LS	Less soap dish		POA
-RSD	Recessed soap dish		POA
-SL	Short length unit		POA
-SC	Pair of dual spring checks		POA
Shroud Thickness Modifications			
	16-gauge stainless steel		POA
	14-gauge stainless steel		POA
Custom Modifications			
-TH	Matching horizontal pipe covers and caps; standard width 6" (18-gauge stainless steel is standard) At the time of order, a rough sketch is needed showing location of showers, walls, length of panel runs. NOTE: No orders will be accepted without contractor and/or engineer approval.	18-gauge stainless steel	POA
-RS	Top and bottom brackets severe service brackets (for penal and other severe service applications)		POA
-TC	Matching thru-ceiling extension pipe covers, standard width 6" (18-gauge stainless steel is standard) 1) After length needed is determined, use part number 7500-8EX-length needed. Please specify length to the nearest .25".	18-gauge stainless steel	POA
		16-gauge stainless steel	POA
		14-gauge stainless steel	POA
			NET/EACH
2) Add following brackets pricing (One of each bracket is used per vertical extension.):		External: 7500-17A	POA
		Internal: 7500-17B	POA

When ordering parts, always list product number and description.

For additional product information, please visit www.zurn.com.

TEMP-GARD® ACCESSORIES

PRODUCT NO.	DESCRIPTION	UPC	LIST PRICE
Temp-Gard I Shower Valve Series Handles			
Z7000-LH	Lever handle	670240569164	16.90
Z7000-STH	Standard ABS chrome-plated handle with screw and button	670240569263	52.84
Temp-Gard III Shower Valve Series Handles			
RK7300-LH	Lever handle	670240652446	31.54
RK7300-LHS	Sierra® Series lever handle	670240659230	34.62
RK7300-LHS-STN	Sierra® Series lever handle; satin nickel	670240399129	67.77
Arms			
Z7000-A1	Standard 6" shower arm and stamped escutcheon	670240568815	13.54
Z7000-A1-STN	Standard 6" shower arm and stamped escutcheon; satin nickel	670240391130	24.38
Z7000-A2	Standard 6" shower arm and cast escutcheon	670240568822	20.58
Z7000-A3	8" shower arm and stamped escutcheon	670240627604	16.78
Z7000-A4	8" shower arm and cast escutcheon	670240627611	25.33
Conversion Hardware for Shower Valves			
Z7000-CC	Stainless steel conversion cover plate and hardware	670240568860	36.68
Z7000-WF	TG1 Wall mount flange for fiberglass installations	670240569331	3.41
RK7300-WF	TG3 Wall mount flange for fiberglass installations	670240648265	6.88
Shower Heads			
Z7000-S1	Standard ABS plastic chrome-plated shower head with brass ball joint connector; 2.5 GPM max.	670240569188	19.96
Z7000-S5	Large brass shower head with spray adjustment, chrome finish; 2.5 GPM max.	670240569218	87.35
Z7000-S5-2.0	Large brass shower head with spray adjustment, chrome finish; 2.0 GPM max.	670240242647	87.35
Z7000-S5-1.75	Large brass shower head with spray adjustment, chrome finish; 1.75 GPM max.	670240242654	87.35
Z7000-S5-1.5	Large brass shower head with spray adjustment, chrome finish; 1.5 GPM max.	670240242661	87.35
Z7000-S5-1.25	Large brass shower head with spray adjustment, chrome finish; 1.25 GPM max.	670240387577	87.35
Z7000-S5-STN	Large brass shower head with spray adjustment, satin nickel finish; 2.5 GPM max.	670240408616	117.31
Z7000-S5-VP	Large brass shower head with spray adjustment, chrome finish, vandal resistant; 2.5 GPM max.	670240623750	116.08
Z7000-S6	Small brass shower head with brass ball joint connector, spray adjustment, chrome finish; 2.5 GPM max.	670240569225	65.65
Z7000-S6-2.0	Small brass shower head with brass ball joint connector and spray adjustment, chrome finish; 2.0 GPM max.	670240242517	65.65
Z7000-S6-1.75	Small brass shower head with brass ball joint connector and spray adjustment, chrome finish; 1.75 GPM max.	670240242524	65.65
Z7000-S6-1.5	Small brass shower head with brass ball joint connector and spray adjustment, chrome finish; 1.5 GPM max.	670240242531	65.65
Z7000-S6-1.25	Small brass shower head with brass ball joint connector and spray adjustment, chrome finish; 1.25 GPM max.	670240387614	65.65
Z7000-S6-VP	Small brass shower head with brass ball joint connector and spray adjustment, chrome finish, vandal resistant; 2.5 GPM max.	670240623767	86.50
Z7000-S6-STN	Small brass shower head with brass ball joint connector, spray adjustment, satin nickel finish; 2.5 GPM max.	670240408623	99.81
Z7000-S7	Brass fixed spray shower head with brass ball joint connector, fixed spray pattern, chrome finish; 2.2 GPM max.	670240569232	90.58
Z7000-S7-VP	Brass fixed spray shower head with brass ball joint connector, fixed spray pattern, chrome finish, vandal resistant; 2.2 GPM max.	670240607187	98.58
Z7000-S8	Water saver shower head with adjustable spray and brass ball joint connector, constant flow orifice; 1.75 GPM flow	670240651876	35.74
Z7000-S8-STN	Water saver shower head with adjustable spray and brass ball joint connector, constant flow orifice, satin nickel finish; 1.75 GPM flow	670240393929	81.64
Z7000-S9	Water saver shower head with adjustable spray and brass ball joint connector, constant flow orifice; 1.5 GPM flow	670240651883	35.74
Z7000-S9-STN	Water saver shower head with adjustable spray and brass ball joint connector, constant flow orifice, satin nickel finish; 1.5 GPM flow	670240393936	81.64
Z7000-S10	Water saver shower head with adjustable spray and brass ball joint connector, constant flow orifice; 1.25 GPM flow	670240388369	35.74



Z7000-S1



Z7000-S5



Z7000-S5-VP



Z7000-S6



Z7000-S6-VP



Z7000-S7



Z7000-S7-VP



Z7000-S8



Z7000-S9

PRODUCT NO.	DESCRIPTION	UPC	LIST PRICE
Institutional Shower Heads			
Z7000-I2-1.25	Institutional wall mount with fixed spray shower head; 1.25 GPM max.	670240446229	142.52
Z7000-I2-1.5	Institutional wall mount with fixed spray shower head; 1.5 GPM max.	670240446236	142.52
Z7000-I2-1.75	Institutional wall mount with fixed spray shower head; 1.75 GPM max.	670240446243	142.52
Z7000-I2-2.0	Institutional wall mount with fixed spray shower head; 2.0 GPM max.	670240446250	142.52
Z7000-I2	Institutional wall mount with fixed spray shower head; 2.5 GPM max.	670240569119	142.52
Z7000-I5-1.25	Institutional wall mount with large brass shower head with spray adjustment, chrome finish; 1.25 GPM max.	670240700581	189.16
Z7000-I5-1.5	Institutional wall mount with large brass shower head with spray adjustment, chrome finish; 1.5 GPM max.	670240249417	189.16
Z7000-I5-1.75	Institutional wall mount with large brass shower head with spray adjustment, chrome finish; 1.75 GPM max.	670240249424	189.16
Z7000-I5-2.0	Institutional wall mount with large brass shower head with spray adjustment, chrome finish; 2.0 GPM max.	670240249431	189.16
Z7000-I5	Institutional wall mount with large brass shower head with spray adjustment, chrome finish; 2.5 GPM max.	670240569133	189.16
Z7000-I6-1.25	Institutional wall mount with small brass shower head with brass ball joint connector, spray adjustment, chrome finish; 1.25 GPM max.	670240700598	170.37
Z7000-I6-1.5	Institutional wall mount with small brass shower head with brass ball joint connector, spray adjustment, chrome finish; 1.5 GPM max.	670240249448	170.37
Z7000-I6-1.75	Institutional wall mount with small brass shower head with brass ball joint connector, spray adjustment, chrome finish; 1.75 GPM max.	670240249462	170.37
Z7000-I6-2.0	Institutional wall mount with small brass shower head with brass ball joint connector, spray adjustment, chrome finish; 2.0 GPM max.	670240250567	170.37
Z7000-I6	Institutional wall mount with small brass shower head with brass ball joint connector, spray adjustment, chrome finish; 2.5 GPM max.	670240569140	170.37
Z7000-I7	Institutional wall mount brass fixed spray shower head with brass ball joint connector, fixed spray pattern, chrome finish; 2.2 GPM max.	670240569157	205.21
Z7000-I8	Institutional wall mount water saver shower head with adjustable spray and brass ball connector, constant flow orifice; 1.75 GPM flow	670240395862	177.48
Z7000-I9	Institutional wall mount water saver shower head with adjustable spray and brass ball connector, constant flow orifice; 1.5 GPM flow	670240395879	177.48
Z7000-I10-AQ	Institutional wall mount water saver shower head with adjustable spray and brass ball connector, constant flow orifice; 1.25 GPM flow	670240811959	175.69
Z7000-AP	Anchor plate assembly with screws for wall mount shower heads; for tile applications	670240568846	39.81
Z7000-BP	Base plate assembly with screws for wall mount shower heads; for walls over 4"	670240568853	83.15
Diverter Valves and Spring Checks			
Z7000-DV-2P	Two-way diverter valve; three-port 1/2" copper sweat	670240568891	148.28
Z7000-DS	Shower arm diverter; push/pull type, for hand shower units only	670240568877	78.40
Z7000-SC	Pair of dual spring checks	670240569249	82.98
Miscellaneous Diverter Valve Parts			
7073-33	Spring	670240620896	3.86
7073-80	Friction ring	670240438286	3.14
7073-81	Escutcheon assembly	670240611764	10.35
Handwall Units			
Z7000-HW	Handwall shower unit, 60" metal hose, standard handset, supply elbow and flange, 24" slide bar	670240568990	237.07
Z7000-HW2	Handwall shower unit, 69" metal hose, standard handset, supply elbow and flange, 24" slide bar	670240569034	287.12
Z7000-HW3	Handwall shower unit, 69" metal hose, standard handset, supply elbow and flange, 48" slide bar	670240569041	337.77
Z7000-HW4	Handwall shower unit, 69" vinyl/nylon hose, standard handset, supply elbow and flange, 24" slide bar	670240569058	227.23
Z7000-HW5	Handwall shower unit, 69" vinyl/nylon hose, standard handset, supply elbow and flange, 48" slide bar	670240569065	277.90
Z7000-HW6	Handwall shower unit, 60" metal hose, standard handset, supply elbow and flange, 24" slide bar and vacuum breaker	670240569072	259.61
Z7000-HW7	Handwall shower unit, 60" vinyl/nylon hose, standard handset, supply elbow and flange, 24" slide bar	670240569379	238.76
Z7000-HW8	Standard handwall shower unit, 60" metal hose, standard handset, supply elbow and flange, with two wall hooks	670240569089	179.87
Z7000-HW9	Standard handwall shower unit, 60" metal hose, standard handset, supply elbow and flange, with two wall hooks and in-line vacuum breaker	670240569096	202.63
Z7000-HW10	Standard handwall shower unit, 60" stainless hose, standard handset, supply elbow and flange, with two wall hooks and in-line vacuum breaker	670240569003	259.27
Z7000-HW11	Handwall shower unit, 60" metal hose, standard handset, supply elbow and flange, 30" slide bar	670240569010	344.77
Z7000-HW12	Handwall shower unit, 69" vinyl/nylon hose, standard handset, supply elbow and flange, 30" slide bar	670240569027	334.86
Z7000-HW13	Handwall shower unit, 69" metal hose, standard handset, supply elbow and flange, 30" slide bar	670240603561	351.14
Z7000-HW14	Handwall shower unit, 60" metal hose, standard handset, supply elbow and flange, 36" grab bar with holder	670240250833	362.37
Z7000-HW15	Handwall shower unit, 60" metal hose, standard handset, supply elbow and flange, 24" slide bar with holder	670240250840	329.49



HW

When ordering parts, always list product number and description.

For additional product information, please visit www.zurn.com.

PRODUCT NO.	DESCRIPTION	UPC	LIST PRICE
Handshower Units			
Z7000-HS	Handshower unit with 60" metal hose, standard handset, 24" slide bar, and shower arm diverter valve	670240568945	324.13
Z7000-HS2	Handshower unit with 60" metal hose, standard handset, 24" slide bar, shower arm diverter valve, and in-line vacuum breaker	670240568952	352.75
Z7000-HS3	Handshower unit with 60" vinyl/nylon hose, standard handset, 24" slide bar, and shower arm diverter valve	670240568969	313.62
Z7000-HS4	Handshower unit with 60" metal hose, standard handset, two wall hooks, and shower arm diverter valve	670240568976	194.92
Z7000-HS5	Handshower unit with 60" vinyl/nylon hose, standard handset, two wall hooks, and shower arm diverter valve	670240568983	184.19
Z7000-HS6	Handshower unit with 69" metal hose, standard handset, 48" slide bar, and shower arm diverter valve	670240603554	383.17
Miscellaneous Handwall Parts			
7080-92	24" slide bar	670240603769	103.83
7081-92	48" slide bar	670240605596	277.90
7082-92	30" slide bar	670240605619	199.11
Handwall and Handshower Options/Accessories			
Z7000-GBH	Handwall shower head holder, for grab bar only	670240240940	48.04
Z7000-GB24	24" stainless steel grab bar	670240240926	152.14
Z7000-GB36	36" stainless steel grab bar	670240240919	188.77
Z7000-GB24H	24" stainless steel grab bar with handwall shower head holder	670240240902	191.90
Z7000-GB36H	36" stainless steel grab bar with handwall shower head holder	670240240896	230.14
Z7000-H1	Standard hand-held shower head with chrome finish; 2.5 gpm	670240604001	24.78
Z7000-H2	Hand-held shower head with shut-off lever; off white finish	670240568914	35.68
Z7000-H4	Hand-held shower head with pulse spray and shut-off lever; off-white finish	670240568938	57.65
Z7000-H7	Hand-held shower head with chrome finish; 2.0 gpm	670240238022	46.75
Z7000-H9	Hand-held shower head with chrome finish; 1.5 gpm	670240238039	46.75
Z7000-H10	2.0 gpm chrome plated plastic hand-held shower device with non-positive water shut-off pause button feature	670240007956	53.20
Z7000-H12	1.5 gpm chrome plated plastic hand-held shower device with non-positive water shut-off pause button feature	670240008038	53.20
Z7000-QD	Quick disconnect in-line hose connector	670240569171	160.93
Z7000-SE	Brass chrome-plated supply elbow and flange	670240569256	32.83
Tub Spouts			
Z7000-T2	Standard tub spout with pull-up diverter with 1/2" female IPS	670240569294	30.76
Z7000-T4	Cast brass tub spout with diverter, chrome finish and 1/2" female IPS	670240569317	72.91
Atmospheric Vacuum Breakers			
Z7000-VB	In-line vacuum breaker for use with 1/2" handwall hose	670240569324	28.91
Metering Valves			
Z7130	Slow closing push-button metering valve	670240604933	327.38
Z7130-SS	Slow closing push-button metering valve with service stop	670240604940	354.44
Repair Kit for Metering Valve			
G60522	Metering handle assembly	670240414556	27.65
G60561	Handle nut assembly	670240414631	16.08
G67800	Metering cartridge assembly	670240402027	26.07
G61994	Shower valve escutcheon	670240441255	7.14
G67788	Shank filter assembly	670240395534	9.23
Tract Packs for Temp-Gard I Series Valves			
TPK7100-SS	3-Port shower only valve with service stops	670240568549	204.82
TPK7120-SS	3-Port shower only valve with volume control and service stops	670240568587	251.22



Z7000-GBH



Z7000-GB24



Z7000-GB36



Z7000-GB24H



Z7000-GB36H



Z7000-H7



Z7000-H9



Z7000-H10



Z7000-H12



Z7000-T2

For additional product information, please visit www.zurn.com.

When ordering parts, always list product number and description.

PRODUCT NO.	DESCRIPTION	UPC	LIST PRICE
TPK7200-SS	4-Port tub and shower valve with service stops	670240568631	225.34
TPK7220-SS	4-Port tub and shower valve with integral diverter valve and service stops	670240569454	254.69
Tract Packs for Temp-Gard III Series Valves			
TPK7300-SS	4-Port valve only with tub plug, service stops, and 1/2" female NPT threaded connections	670240645332	150.24
TPK7300-SSC	4-Port valve only with tub plug, service stops, and 1/2" copper sweat connections	670240646933	150.24
TPK7300-SS-STN	4-Port valve only with tub plug, satin nickel finish, service stops, and 1/2" female NPT threaded connections	670240399167	210.35
TPK7300-SSC-STN	4-Port valve only with tub plug, satin nickel finish, service stops, and 1/2" copper sweat connections	670240392182	210.35
Trim Packs for Temp-Gard I Series Valves			
TMPK7100	Trim pack for shower valve only; chrome-plated ABS plastic main cover, escutcheon, standard handle; complete with dial plate and screws	670240569348	26.17
TMPK7100-LH	Trim pack for shower valve only; chrome-plated ABS plastic main cover, escutcheon, metal lever handle; complete with dial plate and screws	670240569393	37.35
TMPK7100-MT	Trim pack for shower valve only; chrome-plated metal main cover, escutcheon, metal lever handle; complete with dial plate and screws	670240569355	43.79
TMPK7101	Trim pack for shower valve with accessories; chrome-plated ABS plastic main cover, escutcheon, standard handle, shower head, shower arm, arm escutcheon; complete with dial plate and screws	670240568310	50.44
TMPK7101-LH	Trim pack for shower valve with accessories; chrome-plated ABS plastic main cover, escutcheon, metal lever handle, shower head, shower arm, arm escutcheon; complete with dial plate and screws	670240399136	63.57
TMPK7101-MT	Trim pack for shower valve with accessories; chrome-plated metal main cover, escutcheon, metal lever handle, shower head, shower arm, arm escutcheon; complete with dial plate and screws	670240568327	74.31
TMPK7120	Trim pack for shower valve only with volume control; chrome-plated ABS plastic main cover, escutcheon, standard handle, volume control handle; complete with dial plate and screws	670240568334	31.54
TMPK7120-LH	Trim pack for shower valve only with volume control; chrome-plated ABS plastic main cover, escutcheon, metal lever handle, volume control handle; complete with dial plate and screws	670240569409	71.74
TMPK7120-MT	Trim pack for shower valve only with volume control; chrome-plated metal main cover, escutcheon, metal lever handle, volume control handle; complete with dial plate and screws	670240570061	84.04
TMPK7121	Trim pack for shower valve only with volume control and accessories; chrome-plated ABS main cover, escutcheon, standard handle, diverter handle, shower head, shower arm, arm escutcheon; complete with dial plate and screws	670240568341	65.09
TMPK7121-LH	Trim pack for shower valve only with volume control and accessories; chrome-plated ABS main cover, escutcheon, metal lever handle, diverter handle, shower head, shower arm, arm escutcheon; complete with dial plate and screws.	670240623576	75.99
TMPK7121-MT	Trim pack for shower valve only with volume control and accessories; chrome-plated metal main cover, escutcheon, metal lever handle, diverter handle, shower head, shower arm, arm escutcheon; complete with dial plate and screws.	670240568358	91.31
TMPK7200	Trim pack for tub and shower valve only; chrome-plated ABS plastic main cover, escutcheon, standard handle; complete with dial plate and screws.	670240568365	27.68
TMPK7200-LH	Trim pack for tub and shower valve only; chrome-plated ABS plastic main cover, escutcheon, metal lever handle; complete with dial plate and screws.	670240569416	48.31
TMPK7200-MT	Trim pack for tub and shower valve only; chrome-plated metal main cover, escutcheon, metal lever handle; complete with dial plate and screws.	670240568372	62.63
TMPK7201	Trim pack for tub and shower valve only with accessories; chrome-plated ABS plastic main cover, escutcheon, standard handle, shower head, shower arm, arm escutcheon, diverter tub spout, complete with dial plate and screws.	670240568389	75.99
TMPK7201-LH	Trim pack for tub and shower valve with accessories; chrome-plated ABS plastic main cover, escutcheon, metal lever handle, shower head, shower arm, arm escutcheon, diverter tub spout; complete with dial plate and screws	670240568396	89.86
TMPK7201-MT	Trim pack for tub and shower valve with accessories; chrome-plated metal main cover, escutcheon, metal lever handle, shower head, shower arm, arm escutcheon, diverter tub spout; complete with dial plate and screws	670240568402	112.84
TMPK7220	Trim pack for tub and shower valve with volume control, chrome-plated ABS plastic main cover, escutcheon, standard handle, volume control handle; complete with dial plate and screws	670240569423	45.35
TMPK7220-LH	Trim pack for tub and shower valve with volume control, chrome-plated ABS plastic main cover, escutcheon, metal lever handle, volume control handle; complete with dial plate and screws	670240568419	48.14
TMPK7220-MT	Trim pack for tub and shower valve with volume control; chrome-plated metal main cover, escutcheon, metal lever handle, volume control handle; complete with dial plate and screws	670240568426	64.19
TMPK7221	Trim pack for tub and shower valve with volume control and accessories, chrome-plated ABS plastic main cover, escutcheon, standard handle, volume control handle, shower head, shower arm, arm escutcheon, tub spout; complete with dial plate and screws	670240568433	72.24
TMPK7221-LH	Trim pack for tub and shower valve with volume control and accessories; chrome-plated ABS plastic main cover, escutcheon, metal lever handle, volume control handle, shower head, shower arm, arm escutcheon, tub spout; complete with dial plate and screws	670240623583	83.60
TMPK7221-MT	Trim pack for tub and shower valve with volume control and accessories; chrome-plated metal main cover, escutcheon, metal lever handle, volume control handle, shower head, shower arm, arm escutcheon, tub spout; complete with dial plate and screws	670240569362	94.61

PRODUCT NO.	DESCRIPTION	UPC	LIST PRICE
Trim Packs for Temp-Gard III Series Valves			
TMPK7300-MT	Chrome-plated metal cover with index, escutcheon nut, handle, screws, and gasket.	670240646940	66.21
TMPK7301-MT	Chrome-plated metal cover with index, escutcheon nut, handle, screws, and gasket, Z7000-S1 shower head, Z7000-A1 shower arm and shower flange.	670240355651	87.23
TMPK7302-MT	Chrome-plated metal cover with index, escutcheon nut, handle, screws, and gasket, Z7000-S1 shower head, Z7000-A1 shower arm and shower flange, and Z7000-T2 diverter tub spout.	670240355644	109.87
TMPK7300-ST	Sierra® Series chrome-plated metal cover, escutcheon nut, handle, screws, gasket, and plastic dial plate.	670240651630	95.50
TMPK7300-STN	Sierra® Series satin nickel metal cover, escutcheon nut, handle, screws, gasket, and plastic dial plate.	670240391123	155.27
TMPK7301-ST	Sierra® Series chrome-plated metal cover, escutcheon nut, handle, screws, gasket, plastic dial plate, shower head, shower arm, and shower flange.	-	120.50
TMPK7301-STN	Sierra® Series satin nickel metal cover, escutcheon nut, handle, screws, gasket, plastic dial plate, shower head, shower arm, and shower flange.	670240241794	168.31
TMPK7302-ST	Sierra® Series chrome-plated metal cover, escutcheon nut, handle, screws, gasket, plastic dial plate, shower head, shower arm, shower flange, and diverter tub spout.	-	194.53
TMPK7302-STN	Sierra® Series satin nickel metal cover, escutcheon nut, handle, screws, gasket, plastic dial plate, shower head, shower arm, shower flange, and diverter tub spout.	670240409330	228.80
Shower Valve Repair Kits for Temp-Gard I Series Valves			
RK7000-100	Repair kit, packing.	670240568044	4.82
RK7000-110	Repair kit, adjustment screw.	670240568051	4.65
RK7000-11AB	Repair kit, two trim screws, black anodized stainless.	670240568075	3.92
RK7000-11ABL	Repair kit, two trim screws (long); black anodized stainless.	670240568082	8.06
RK7000-120	Repair kit, seal replacement kit.	670240568099	7.06
RK7000-180	Repair kit, hot and cold seat replacement.	670240568105	45.63
RK7000-18RC	Repair kit, reverse core valve seat.	670240568112	74.65
RK7000-18TOOLS	Repair kit, seat tools.	670240568129	39.14
RK7000-200	Repair kit, complete bonnet nut with adjusting screw.	670240568136	58.72
RK7000-20HB	Repair kit, complete bonnet nut, 3/4" hose bibb flushing out kit.	670240568143	25.67
RK7000-50	Repair kit, valve stem complete.	670240568150	81.81
RK7000-50ACL	Repair kit, valve stem complete (Andre Collection).	670240604209	93.88
RK7000-50A	Repair kit, service stops.	670240568167	10.12
RK7000-50FL	Repair kit, stem, for harsh water conditions.	670240568204	81.81
RK7000-50B	Repair kit, diverter stem for Z7220 Series manufactured prior to the year 2000 (Cream Colored).	670240568174	4.98
RK7000-50BN	Repair kit, diverter stem for Z7220 Series manufactured during or after the year 2000 (White with Black Gasket).	670240604810	11.41
RK7000-50C	Repair kit, diverter stem for Z7120 Series (Black).	670240568181	4.98
RK7000-50EXT	Extension kit for the RK7000-50, increases length by 1-1/4".	670240568198	115.08
RK7073-50	Repair kit, 2-way and 3-way replacement stem complete RK.	670240568228	39.64
RK7073-50EXT	Repair kit with 1" extension, 2-way and 3-way replacement stem complete RK.	670240627932	307.52
Shower Valve Repair Kits for Temp-Gard III Series Valves			
RK7300-CART-3P	Pressure balancing cartridge	670240462519	74.82
RK7300-EXT	Extension kit, polished chrome, increases length by 1"	670240392281	67.66
RK7300-EXT-STN	Extension kit, satin nickel, increases length by 1"	670240392205	67.66
RK7300-LH	Lever handle	670240652446	31.54
RK7300-WF	Wall flange	670240648265	6.88
RK7300-11AE-001	Standard 3" cover screws	670240652453	10.29
RK7300-11AE-002	4" cover screws	670240399112	14.71
RK7300-11AV	Vandal-resistant 3" cover screws	670240223752	122.24
RK7300-20HB	Hose bib flushing-out kit	670240399181	164.39
RK7300-50A	Service/check stop repair kit	670240659223	39.14
RK7300-8MT-002	Cover plate with index	670240652460	25.67
Miscellaneous Temp-Gard I Parts			
7000-3	Diverter retainer	670240608641	4.65
7000-3D	Stop retainer	670240604308	1.62
7000-6C	Diverter handle	670240603691	17.12
7000-11D	Retainer screw	670240604216	3.41
7000-32	Diverter handle retainer clip	670240603820	2.58
7000-90	Cover gasket	670240603837	3.41

PRODUCT NO.	DESCRIPTION	UPC	LIST PRICE
Miscellaneous Temp-Gard III Parts			
7300-81MT	Escutcheon	670240656772	27.85
Shower Valve Repair Kits for Aqua-Panel			
RK7500-50A	Repair kit, service stops	670240627963	27.96
RK7500-200	Repair kit, complete bonnet nut	670240646124	60.06
All other repair kits are the same as Temp-Gard I series valve.			
Miscellaneous Aqua-Panel Parts			
7000-12E	Flow control washer	670240610538	2.29
7500-29	Outlet adapter	670240608863	17.12
Sierra® Faucet Repair Kits			
RK7440-3	Retaining nut	670240646803	11.30
RK7440-90	Base plate	670240646810	11.30
RK7440-CART	Ceramic control cartridge	670240626683	26.79
RK7440-HK	Inlet gasket kit with brass nuts	670240607217	10.19
RK7440-36W	Spout repair kit	670240396906	1.46
Sierra® Faucet Aerators, Z7440			
RK7440-94	Standard 2.2 GPM aerator	670240623385	5.04
RK7440-94-STN	Standard 2.2 GPM aerator, satin nickel finish	670240224339	36.18
7440-94FC/WK	0.5 GPM vandal-resistant aerator	670240568006	36.18
7440-94LA	2.2 GPM laminar flow outlet	670240568013	25.67
RK7440-94SO	1.0 GPM spray outlet	670240212107	30.92
7440-94VP/WK	2.2 GPM vandal-resistant aerator	670240568020	31.93
Sierra® Faucet Handles, Z7440			
RK7440-LH	Standard lever handle assembly	670240568242	20.47
RK7440-LP	Loop handle assembly	670240608634	19.86
RK7440-LP-STN	Loop handle assembly, satin nickel	670240392151	34.72
Sierra® Faucet Aerators, Z74500			
RK74500-94	Standard 2.2 GPM aerator	670240427488	22.37
RK74500-94-STN	Standard 2.2 GPM aerator, satin nickel finish	670240427495	35.51
RK74500-94FC	0.5 GPM vandal-resistant aerator	670240242357	33.61
RK74500-94LA	2.2 GPM laminar flow outlet	670240242340	22.37
RK74500-94SO	1.0 GPM spray outlet	670240212602	22.37
RK74500-94VP	2.2 GPM vandal-resistant aerator	670240242364	32.21
Z74500, Z74600, and Z74700 Handles and Indexes			
RK74500-LH	Handle assembly	670240427570	65.76
G60501	2-1/2" vandal-resistant metal lever handles	670240414495	29.52
G60503	Vandal-resistant metal four-arm handles	670240414501	35.93
G60504	4" vandal-resistant metal wrist blade handles	670240414518	53.37
G60508	6" vandal-resistant metal wrist blade handles	670240414525	72.73
G67801	Hot and cold indexes	670240403833	9.07
G67812	Hot and cold indexes, satin nickel finish	670240188709	12.25
Miscellaneous Sierra® Faucet Parts			
Z8743-PC	1-1/4" grid drain assembly	084169618207	28.40
Z8743-PC-STN	1-1/4" grid drain assembly, satin nickel	670240393462	81.26
7340-920	Lift rod	670240659339	8.56
7340-920-STN	Lift rod, satin nickel	670240393837	13.87
7342-PUA	1-1/4" pop-up drain assembly	670240605626	51.11
7342-PUA-STN	1-1/4" pop-up drain assembly, satin nickel	670240393455	69.51

PRODUCT NO.	DESCRIPTION	UPC	LIST PRICE
Z7870 Series Repair Kits			
RK7872C-XL-DV	Hose spray diverter	670240388253	5.20
RK7872C-XL-QR	Quad ring seal kit	670240388246	3.75
RK7872-XL-CART	Cartridge assembly	-	17.73
RK7872-XL-3	Bonnet nut assembly	-	22.09
RK7872-XL-6	Lever handle assembly	-	28.30
RK7872-XL-21	Spray hose and handset assembly	-	26.67
Z7870C Series Aerators			
RK7872C-94	Standard 2.2 GPM aerator	670240393257	24.38
RK7872C-94FC	0.5 GPM vandal-resistant aerator	670240397590	31.15
RK7872C-94LA	2.2 GPM laminar flow outlet	670240242487	31.15
RK7872C-SO	1.0 GPM spray outlet	670240212268	31.15
RK7872C-94VP	2.2 GPM vandal-resistant aerator	670240242494	32.49

TUBULAR BRASS

STANDARD LAVATORY SUPPLY STOPS AND KITS

Z8800-XL SERIES PIPE - COMPRESSION (3/8 IPS X 3/8 OD)	103
Z8802-XL SERIES PIPE - COMPRESSION (1/2 IPS X 3/8 OD)	103
Z8803-XL SERIES PIPE - COMPRESSION (1/2 IPS X 1/2 OD)	103
Z8804-XL SERIES COMPRESSION - COMPRESSION (1/2 NOM X 3/8 OD)	104
Z8805-XL SERIES COMPRESSION - COMPRESSION (1/2 NOM X 1/2 OD)	104
Z8806-XL SERIES COPPER SWEAT - COMPRESSION (1/2 SWT X 3/8 OD)	105
Z8807-XL SERIES COPPER SWEAT - COMPRESSION (1/2 SWT X 1/2 OD)	105
Z8808-XL SERIES COPPER SWEAT - COMPRESSION (1/2 SWT X 3/8 OD)	105
Z8809-XL SERIES COPPER SWEAT - COMPRESSION (1/2 SWT X 1/2 OD)	105

HEAVY-DUTY LAVATORY SUPPLY STOPS AND KITS

ZH8820-XL SERIES PIPE - COMPRESSION (3/8 IPS X 3/8 OD)	106
ZH8822-XL SERIES PIPE - COMPRESSION (1/2 IPS X 3/8 OD)	106
ZH8823-XL SERIES PIPE - COMPRESSION (1/2 IPS X 1/2 OD)	106
ZH8824-XL SERIES COMPRESSION - COMPRESSION (1/2 NOM X 3/8 OD)	107
ZH8825-XL SERIES COMPRESSION - COMPRESSION (1/2 NOM X 1/2 OD)	107
ZH8826-XL SERIES COPPER SWEAT - COMPRESSION (1/2 SWT X 3/8 OD)	107
ZH8827-XL SERIES COPPER SWEAT - COMPRESSION (1/2 SWT X 1/2 OD)	107

STANDARD CLOSET SUPPLY STOPS AND KITS

Z8800-XL SERIES PIPE - COMPRESSION (3/8 IPS X 3/8 OD)	108
Z8802-XL SERIES PIPE - COMPRESSION (1/2 IPS X 3/8 OD)	108
Z8803-XL SERIES PIPE - COMPRESSION (1/2 IPS X 1/2 OD)	108
Z8804-XL SERIES COMPRESSION - COMPRESSION (1/2 NOM X 3/8 OD)	109
Z8805-XL SERIES COMPRESSION - COMPRESSION (3/8 IPS X 3/8 OD)	109
Z8806-XL SERIES COPPER SWEAT - COMPRESSION (1/2 IPS X 3/8 OD)	110
Z8807-XL SERIES COPPER SWEAT - COMPRESSION (1/2 IPS X 1/2 OD)	110
Z8808-XL SERIES COPPER SWEAT - COMPRESSION (1/2 SWT X 3/8 OD)	110
Z8809-XL SERIES COPPER SWEAT - COMPRESSION (1/2 SWT X 1/2 OD)	110

HEAVY-DUTY CLOSET SUPPLY STOPS AND KITS

ZH8820-XL SERIES PIPE - COMPRESSION (3/8 IPS X 3/8 OD)	111
ZH8822-XL SERIES PIPE - COMPRESSION (1/2 IPS X 3/8 OD)	111
ZH8823-XL SERIES PIPE - COMPRESSION (1/2 IPS X 1/2 OD)	111
ZH8824-XL SERIES COMPRESSION - COMPRESSION (1/2 NOM X 3/8 OD)	112
ZH8825-XL SERIES COMPRESSION - COMPRESSION (1/2 IPS X 1/2 OD)	112
ZH8826-XL SERIES COPPER SWEAT - COMPRESSION (1/2 SWT X 3/8 OD)	112
ZH8827-XL SERIES COPPER SWEAT - COMPRESSION (1/2 SWT X 3/8 OD)	112

BRAIDED STAINLESS STEEL SUPPLIES

LAVATORY/SINK SUPPLIES	113
Z8860-XL SERIES COMPRESSION - FEMALE THREADED PIPE (3/8 COMP X 1/2 FIP)	113
Z8861-XL SERIES FEMALE THREADED PIPE - FEMALE THREADED PIPE (1/2 FIP X 1/2 FIP)	113
Z8862-XL SERIES COMPRESSION - FEMALE THREADED PIPE (1/2 COM X 1/2 FIP)	113
Z8863-XL SERIES COMPRESSION - OUTSIDE DIAMETER (3/8 COMP X 3/8 OD)	113
CLOSET SUPPLIES	113
Z8870-XL SERIES COMPRESSION - BALLCOCK NUT (3/8 COMP X 7/8 BALLCOCK NUT)	113
Z8872-XL SERIES FEMALE THREADED PIPE - BALLCOCK NUT (1/2 FIP X 7/8 BALLCOCK NUT)	113
Z8873-XL SERIES COMPRESSION - BALLCOCK NUT (1/2 COMP X 7/8 BALLCOCK NUT)	113

FLANGES AND NIPPLES

FLANGES	114
NIPPLES	114

SEMI-CAST TRAPS

P-TRAPS WITH WALL BEND	115
P-TRAPS WITH WALL BEND LESS CLEANOUT	116
P-TRAPS WITH WALL BEND LESS CLEANOUT AND WITH CLEANOUT - TAMPER PROOF	116
LESS CLEANOUT	116
WITH CLEANOUT	116
SWIVEL P-TRAPS	117
ALL-CAST SWIVEL TRAPS WITH COPPER EXTENSION P-TRAP	117

TRAPS

TUBULAR P-TRAPS	118
LESS CLEANOUT	118
WITH CLEANOUT	118
TUBULAR P-TRAPS – CHOKED INLET LESS CLEANOUT	118
TUBULAR P-TRAPS – EXTRA LONG, 15" AND 18"	118
LESS CLEANOUT	118
WITH CLEANOUT	118
TUBULAR S-TRAPS	119
LESS CLEANOUT	119
WITH CLEANOUT	119
LOW INLET P-TRAPS LESS CLEANOUT	119
REPAIR P-TRAPS AND P-BENDS	119
LOS ANGELES CODE TRAPS	119
WASHINGTON D.C. TRAPS	119
LESS CLEANOUT	119
WITH CLEANOUT	119
MILWAUKEE P-TRAPS	119
LESS CLEANOUT	119
WITH CLEANOUT	119

SANITARY-DASH® PREMIUM LINE OF BASKET STRAINERS

STICK TYPE SS BASKET STRAINER	120
STICK TYPE SS BASKET STRAINER WITH CHROME-PLATED BRASS BODY	120
FOUR-PRONGE SS BASKET STRAINER CHROME- PLATED BRASS BODY – STAINLESS BASKET.	120
STICK TYPE SS BASKET STRAINER WITH LONG SHANK	120
STAINLESS STEEL BASKET STRAINER	121
BRASS BODY BASKET STRAINER WITH SPIN AND LOCK BASKET CLOSURE.	121
STAINLESS STEEL MACHINE THREADED TAIL-PIPE BASKET STRAINER	121
STICK TYPE BASKET STRAINER WITH ALL STAINLESS STEEL BODY	121
FLAT TOP SINK STRAINER 3"-3-1/2" OUTLET WITH REVERSIBLE LOCKNUT	122
DUPLEX SINK STRAINER 2"-2-1/2" OUTLET	122
JR. 2" BASKET STRAINER	122
ACCESSORIES	122

STRAINERS, P.O. PLUGS, AND OFFSETS

BEEHIVE URINAL STRAINERS	123
FLAT GRID URINAL STRAINERS	123
FLAT GRID FIPS URINAL STRAINERS	123
FLAT GRID SINK STRAINERS	123
WIDE TOP SINK STRAINERS	123
HEAVY-DUTY BASKET STRAINERS	124
SOLID TOP, OPEN-GRID P.O. PLUGS	124
SOLID TOP, OPEN-GRID P.O. PLUGS OPTIONS	124
OFFSET LAVATORY STRAINERS, ADA COMPLIANT	125
OPTIONS FOR OFFSET LAVATORY STRAINERS, ADA COMPLIANT	125
OFFSET SINK STRAINERS, ADA COMPLIANT	125

OVERFLOWS

BRASS WASTE AND OVERFLOWS WITH CHAIN AND STOPPER	126
BRASS TRIP LEVER WASTES PLUNGER TYPE	126
BRASS POP-UP TRIP LEVER	126
BRASS POP-UP FOOT ACTIVATED	126
LIFT AND TURN WASTES	126

TRAP, STOP, AND SUPPLY PROTECTORS

INSUL-GUARD™ RETROFIT KITS	127
PRE-WRAPPED CAST BODY P-TRAPS WITH TUBULAR WALL BEND	127
PRE-WRAPPED CAST BODY P-TRAPS WITH LAVATORY OFFSET ASSEMBLY	127

STANDARD LAVATORY SUPPLY STOPS AND KITS

This section includes standard angle control stops and supply kits with wheel handle type, loose key type, and quarter turn options. Standard lavatory supply kits are provided with (2) 12" chrome plated copper riser tubes with (2) chrome plated steel flanges. There are also braided stainless steel hose supply kit options.

PRODUCT NUMBER	DESCRIPTION	UPC	LIST PRICE
Z8800-XL Series Pipe - Compression (3/8 IPS x 3/8 OD)			
Z8800-XL-PC	Control Stop Standard	670240811508	11.08
Z8800-XL-LK-PC	Control Stop Loose Key	670240811485	14.34
Z8800-XL-Q-PC	Control Stop Quarter Turn	670240811577	16.59
Z8800-XL-LK-Q-PC	Control Stop Loose Key Quarter Turn	-	18.86
Z8800-XL-LR-PC	Control Stop Standard w/ Copper Riser Supply Kit	670240824201	30.97
Z8800-XL-LR-LK-PC	Control Stop Loose Key w/ Copper Riser Supply Kit	670240833227	32.36
Z8800-XL-LR-Q-PC	Control Stop Quarter Turn w/ Copper Riser Supply Kit	-	40.63
Z8800-XL-LR-LK-Q-PC	Control Stop Loose Key Quarter Turn w/ Copper Riser Supply Kit	670240860001	42.28
Z8800-XL-LR-8860-12-PC	Control Stop Standard w/ SS Hose Supply Kit	-	37.85
Z8800-XL-LR-LK-8860-12-PC	Control Stop Loose Key w/ SS Hose Supply Kit	-	39.37
Z8800-XL-LR-Q-8860-12-PC	Control Stop Quarter Turn w/ SS Hose Supply Kit	-	44.66
Z8800-XL-LR-LK-Q-8860-12-PC	Control Stop Loose Key Quarter Turn w/ SS Hose Supply Kit	-	48.93
Z8802-XL Series Pipe - Compression (1/2 IPS x 3/8 OD)			
Z8802-XL-PC	Control Stop Standard	670240358928	10.98
Z8802-XL-LK-PC	Control Stop Loose Key	670240358935	12.35
Z8802-XL-Q-PC	Control Stop Quarter Turn	670240389854	13.29
Z8802-XL-LK-Q-PC	Control Stop Loose Key Quarter Turn	-	15.66
Z8802-XL-LR-PC	Control Stop Standard w/ Copper Riser Supply Kit	670240454378	35.89
Z8802-XL-LR-LK-PC	Control Stop Loose Key w/ Copper Riser Supply Kit	-	41.41
Z8802-XL-LR-Q-PC	Control Stop Quarter Turn w/ Copper Riser Supply Kit	-	40.19
Z8802-XL-LR-LK-Q-PC	Control Stop Loose Key Quarter Turn w/ Copper Riser Supply Kit	-	42.95
Z8802-XL-LR-8860-12-PC	Control Stop Standard w/ SS Hose Supply Kit	-	40.74
Z8802-XL-LR-LK-8860-12-PC	Control Stop Loose Key w/ SS Hose Supply Kit	670240374409	46.36
Z8802-XL-LR-Q-8860-12-PC	Control Stop Quarter Turn w/ SS Hose Supply Kit	-	45.04
Z8802-XL-LR-LK-Q-8860-12-PC	Control Stop Loose Key Quarter Turn w/ SS Hose Supply Kit	-	49.07
Z8803-XL Series Pipe - Compression (1/2 IPS x 1/2 OD)			
Z8803-XL-PC	Control Stop Standard	670240824720	14.32
Z8803-XL-LK-PC	Control Stop Loose Key	670240824737	16.52
Z8803-XL-LR-PC	Control Stop Standard w/ Copper Riser Supply Kit	670240008069	50.67
Z8803-XL-LR-LK-PC	Control Stop Loose Key w/ Copper Riser Supply Kit	670240866737	62.99
Z8803-XL-LR-8862-12-PC	Control Stop Standard w/ SS Hose Supply Kit	-	52.10
Z8803-XL-LR-LK-8862-12-PC	Control Stop Loose Key w/ SS Hose Supply Kit	-	67.53



SUFFIX	ADD SUFFIX	ADD SUFFIX	ADD SUFFIX	ADD
-XL = Lead Compliant	-C1 = Standard Line Lock Shield	6.13	-3 = 3/8" IPS x 3" Nipple	18.42
-LR = Supply Kit Copper Risers	-CE = Cast Escutcheon	20.90	-3 = 1/2" IPS x 3" Nipple	24.09
-LK = Loose Key	-D = Deep Steel Escutcheon	3.70	-5 = 3/8" IPS x 5" Nipple	27.02
-Q = Quarter Turn	-PC = Polished Chrome	-	-5 = 1/2" IPS x 5" Nipple	34.35
			-8860 = Braided Stainless Steel	-
			-16 = 16" length	3.59
			-20 = 20" length	7.41

When ordering parts, always list product number and description.

For additional product information, please visit www.zurn.com.

All dimensions in inches; all weights in pounds.

PRODUCT NUMBER	DESCRIPTION	UPC	LIST PRICE
Z8804-XL Series Compression - Compression (1/2 NOM x 3/8 OD)			
Z8804-XL-PC	Control Stop Standard	670240358973	11.52
Z8804-XL-LK-PC	Control Stop Loose Key	670240358980	14.06
Z8804-XL-Q-PC	Control Stop Quarter Turn	670240389878	14.39
Z8804-XL-LK-Q-PC	Control Stop Loose Key Quarter Turn	-	15.88
Z8804-XL-LR-PC	Control Stop Standard w/ Copper Riser Supply Kit	670240385740	34.40
Z8804-XL-LR-LK-PC	Control Stop Loose Key w/ Copper Riser Supply Kit	-	38.20
Z8804-XL-LR-Q-PC	Control Stop Quarter Turn w/ Copper Riser Supply Kit	-	44.22
Z8804-XL-LR-LK-Q-PC	Control Stop Loose Key Quarter Turn w/ Copper Riser Supply Kit	-	46.97
Z8804-XL-LR-8860-12-PC	Control Stop Standard w/ SS Hose Supply Kit	-	40.74
Z8804-XL-LR-LK-8860-12-PC	Control Stop Loose Key w/ SS Hose Supply Kit	-	46.75
Z8804-XL-LR-Q-8860-12-PC	Control Stop Quarter Turn w/ SS Hose Supply Kit	-	49.07
Z8804-XL-LR-LK-Q-8860-12-PC	Control Stop Loose Key Quarter Turn w/ SS Hose Supply Kit	-	51.28
Z8805-XL Series Compression - Compression (1/2 NOM x 1/2 OD)			
Z8805-XL-PC	Control Stop Standard	670240834248	12.25
Z8805-XL-LK-PC	Control Stop Loose Key	670240829558	14.23
Z8805-XL-LR-PC	Control Stop Standard w/ Copper Riser Supply Kit	670240845879	43.44
Z8805-XL-LR-LK-PC	Control Stop Loose Key w/ Copper Riser Supply Kit	-	46.87
Z8805-XL-LR-8862-12-PC	Control Stop Standard w/ SS Hose Supply Kit	-	46.48
Z8805-XL-LR-LK-8862-12-PC	Control Stop Loose Key w/ SS Hose Supply Kit	-	48.90

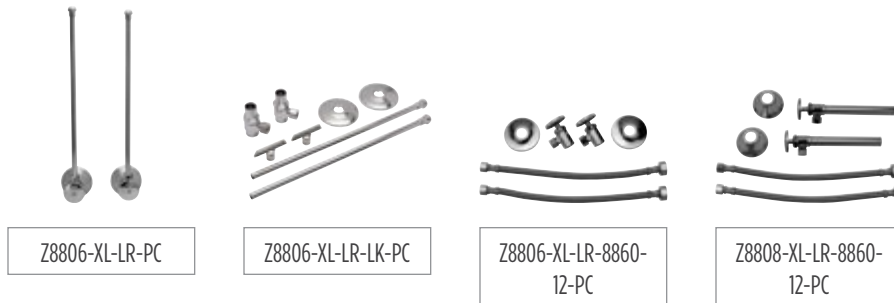


SUFFIX	ADD	SUFFIX	ADD	SUFFIX	ADD
-XL = Lead Compliant	-	-C1 = Standard Line Lock Shield	6.13	-3 = 3/8" IPS x 3" Nipple	18.42
-LR = Supply Kit Copper Risers	-	-CE = Cast Escutcheon	20.90	-3 = 1/2" IPS x 3" Nipple	24.09
-LK = Loose Key	-	-D = Deep Steel Escutcheon	3.70	-5 = 3/8" IPS x 5" Nipple	27.02
-Q = Quarter Turn	-	-PC = Polished Chrome	-	-5 = 1/2" IPS x 5" Nipple	34.35
				-8860 = Braided Stainless Steel	-
				-16 = 16" length	3.59
				-20 = 20" length	7.41

For additional product information, please visit www.zurn.com.

When ordering parts, always list product number and description.

PRODUCT NUMBER	DESCRIPTION	UPC	LIST PRICE
Z8806-XL Series Copper Sweat - Compression (1/2 SWT x 3/8 OD)			
Z8806-XL-PC	Control Stop Standard	670240811560	12.41
Z8806-XL-LK-PC	Control Stop Loose Key	670240794627	14.96
Z8806-XL-Q-PC	Control Stop Quarter Turn	670240811553	16.82
Z8806-XL-LK-Q-PC	Control Stop Loose Key Quarter Turn	-	17.59
Z8806-XL-LR-PC	Control Stop Standard w/ Copper Riser Supply Kit	670240841604	33.89
Z8806-XL-LR-LK-PC	Control Stop Loose Key w/ Copper Riser Supply Kit	670240841574	37.56
Z8806-XL-LR-Q-PC	Control Stop Quarter Turn w/ Copper Riser Supply Kit	670240936898	35.73
Z8806-XL-LR-LK-Q-PC	Control Stop Loose Key Quarter Turn w/ Copper Riser Supply Kit	670240856936	41.57
Z8806-XL-LR-8860-12-PC	Control Stop Standard w/ SS Hose Supply Kit	-	35.78
Z8806-XL-LR-LK-8860-12-PC	Control Stop Loose Key w/ SS Hose Supply Kit	-	39.25
Z8806-XL-LR-Q-8860-12-PC	Control Stop Quarter Turn w/ SS Hose Supply Kit	-	40.14
Z8806-XL-LR-LK-Q-8860-12-PC	Control Stop Loose Key Quarter Turn w/ SS Hose Supply Kit	-	42.73
Z8807-XL Series Copper Sweat - Compression (1/2 SWT x 1/2 OD)			
Z8807-XL-PC	Control Stop Standard	670240834255	11.47
Z8807-XL-LK-PC	Control Stop Loose Key	670240829534	13.29
Z8807-XL-LR-PC	Control Stop Standard w/ Copper Riser Supply Kit	670240860636	38.37
Z8807-XL-LR-LK-PC	Control Stop Loose Key w/ Copper Riser Supply Kit	670240935273	40.47
Z8807-XL-LR-8862-12-PC	Control Stop Standard w/ SS Hose Supply Kit	-	40.19
Z8807-XL-LR-LK-8862-12-PC	Control Stop Loose Key w/ SS Hose Supply Kit	-	42.29
Z8808-XL Series Copper Sweat - Compression (1/2 SWT x 3/8 OD)			
Z8808-XL-PC	Control Stop Standard	670240358997	15.22
Z8808-XL-LK-PC	Control Stop Loose Key	670240359000	16.71
Z8808-XL-Q-PC	Control Stop Quarter Turn	670240389892	18.97
Z8808-XL-LK-Q-PC	Control Stop Loose Key Quarter Turn	-	24.09
Z8808-XL-LR-PC	Control Stop Standard w/ Copper Riser Supply Kit	670240385764	55.30
Z8808-XL-LR-LK-PC	Control Stop Loose Key w/ Copper Riser Supply Kit	-	59.43
Z8808-XL-LR-Q-PC	Control Stop Quarter Turn w/ Copper Riser Supply Kit	-	62.79
Z8808-XL-LR-LK-Q-PC	Control Stop Loose Key Quarter Turn w/ Copper Riser Supply Kit	-	65.55
Z8808-XL-LR-8860-12-PC	Control Stop Standard w/ SS Hose Supply Kit	-	60.10
Z8808-XL-LR-LK-8860-12-PC	Control Stop Loose Key w/ SS Hose Supply Kit	670240374980	60.98
Z8808-XL-LR-Q-8860-12-PC	Control Stop Quarter Turn w/ SS Hose Supply Kit	-	67.65
Z8808-XL-LR-LK-Q-8860-12-PC	Control Stop Loose Key Quarter Turn w/ SS Hose Supply Kit	-	69.68
Z8809-XL Series Copper Sweat - Compression (1/2 SWT x 1/2 OD)			
Z8809-XL-PC	Control Stop Standard	670240834262	25.14
Z8809-XL-LK-PC	Control Stop Loose Key	670240829541	27.46
Z8809-XL-LR-PC	Control Stop Standard w/ Copper Riser Supply Kit	670240861220	71.45
Z8809-XL-LR-LK-PC	Control Stop Loose Key w/ Copper Riser Supply Kit	670240854437	75.42
Z8809-XL-LR-8862-12-PC	Control Stop Standard w/ SS Hose Supply Kit	-	73.04
Z8809-XL-LR-LK-8862-12-PC	Control Stop Loose Key w/ SS Hose Supply Kit	-	77.35



SUFFIX	ADD	SUFFIX	ADD	SUFFIX	ADD	SUFFIX	ADD
-XL = Lead Compliant	-	-C1 = Standard Line Lock Shield	6.13	-3 = 3/8" IPS x 3" Nipple	18.42	-8860 = Braided Stainless Steel	-
-LR = Supply Kit Copper Risers	-	-CE = Cast Escutcheon	20.90	-3 = 1/2" IPS x 3" Nipple	24.09	-16 = 16" length	3.59
-LK = Loose Key	-	-D = Deep Steel Escutcheon	3.70	-5 = 3/8" IPS x 5" Nipple	27.02	-20 = 20" length	7.41
-Q = Quarter Turn	-	-PC = Polished Chrome	-	-5 = 1/2" IPS x 5" Nipple	34.35		

When ordering parts, always list product number and description.

For additional product information, please visit www.zurn.com.

HEAVY-DUTY LAVATORY SUPPLY STOPS AND KITS

This section includes heavy-duty angle control stops and supply kits with wheel handle type, loose key type, and quarter turn options. Heavy-duty lavatory supply kits are provided with (2) 12" chrome plated copper riser tubes with (2) chrome plated steel flanges. There are also braided stainless steel hose supply kit options.

PRODUCT NUMBER	DESCRIPTION	UPC	LIST PRICE
ZH8820-XL Series Pipe - Compression (3/8 IPS x 3/8 OD)			
ZH8820-XL-PC	Control Stop Standard	670240813786	25.92
ZH8820-XL-LK-PC	Control Stop Loose Key	670240813762	30.55
ZH8820-XL-Q-PC	Control Stop Quarter Turn	670240813793	32.09
ZH8820-XL-LK-Q-PC	Control Stop Loose Key Quarter Turn	-	34.18
ZH8820-XL-LR-PC	Control Stop Standard w/ Copper Riser Supply Kit	670240856974	60.15
ZH8820-XL-LR-LK-PC	Control Stop Loose Key w/ Copper Riser Supply Kit	-	68.97
ZH8820-XL-LR-Q-PC	Control Stop Quarter Turn w/ Copper Riser Supply Kit	889934079463	73.04
ZH8820-XL-LR-LK-Q-PC	Control Stop Loose Key Quarter Turn w/ Copper Riser Supply Kit	889934068672	75.80
ZH8820-XL-LR-8860-12-PC	Control Stop Standard w/ SS Hose Supply Kit	-	63.15
ZH8820-XL-LR-LK-8860-12-PC	Control Stop Loose Key w/ SS Hose Supply Kit	-	72.41
ZH8820-XL-LR-Q-8860-12-PC	Control Stop Quarter Turn w/ SS Hose Supply Kit	-	76.70
ZH8820-XL-LR-LK-Q-8860-12-PC	Control Stop Loose Key Quarter Turn w/ SS Hose Supply Kit	-	79.59
ZH8822-XL Series Pipe - Compression (1/2 IPS x 3/8 OD)			
ZH8822-XL-PC	Control Stop Standard	670240359017	26.02
ZH8822-XL-LK-PC	Control Stop Loose Key	670240359024	31.04
ZH8822-XL-Q-PC	Control Stop Quarter Turn	670240389915	32.59
ZH8822-XL-LK-Q-PC	Control Stop Loose Key Quarter Turn	-	37.93
ZH8822-XL-LR-PC	Control Stop Standard w/ Copper Riser Supply Kit	670240792098	66.27
ZH8822-XL-LR-LK-PC	Control Stop Loose Key w/ Copper Riser Supply Kit	-	76.25
ZH8822-XL-LR-Q-PC	Control Stop Quarter Turn w/ Copper Riser Supply Kit	889934064636	80.10
ZH8822-XL-LR-LK-Q-PC	Control Stop Loose Key Quarter Turn w/ Copper Riser Supply Kit	-	82.86
ZH8822-XL-LR-8860-12-PC	Control Stop Standard w/ SS Hose Supply Kit	-	69.58
ZH8822-XL-LR-LK-8860-12-PC	Control Stop Loose Key w/ SS Hose Supply Kit	-	80.06
ZH8822-XL-LR-Q-8860-12-PC	Control Stop Quarter Turn w/ SS Hose Supply Kit	-	84.11
ZH8822-XL-LR-LK-Q-8860-12-PC	Control Stop Loose Key Quarter Turn w/ SS Hose Supply Kit	-	87.00
ZH8823-XL Series Pipe - Compression (1/2 IPS x 1/2 OD)			
ZH8823-XL-PC	Control Stop Standard	670240824713	28.94
ZH8823-XL-LK-PC	Control Stop Loose Key	670240824706	36.22
ZH8823-XL-LR-PC	Control Stop Standard w/ Copper Riser Supply Kit	670240838437	89.97
ZH8823-XL-LR-LK-PC	Control Stop Loose Key w/ Copper Riser Supply Kit	670240866744	91.95
ZH8823-XL-LR-8862-12-PC	Control Stop Standard w/ SS Hose Supply Kit	-	94.46
ZH8823-XL-LR-LK-8862-12-PC	Control Stop Loose Key w/ SS Hose Supply Kit	-	96.55



ZH880_-XL-LR-PC



ZH880_-XL-LR-Q-PC



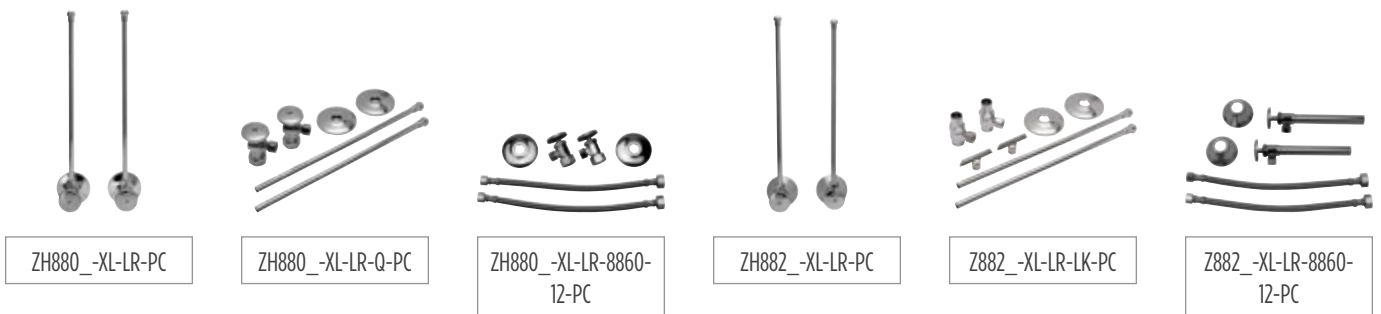
ZH880_-XL-LR-8860-12-PC

SUFFIX	ADD	SUFFIX	ADD	SUFFIX	ADD
-XL = Lead Compliant	-	-C1 = Standard Line Lock Shield	6.13	-3 = 3/8" IPS x 3" Nipple	18.42
-LR = Supply Kit Copper Risers	-	-CE = Cast Escutcheon	20.90	-3 = 1/2" IPS x 3" Nipple	24.09
-LK = Loose Key	-	-D = Deep Steel Escutcheon	3.70	-5 = 3/8" IPS x 5" Nipple	27.02
-Q = Quarter Turn	-	-PC = Polished Chrome	-	-5 = 1/2" IPS x 5" Nipple	34.35
				-8860 = Braided Stainless Steel	-
				-16 = 16" length	3.59
				-20 = 20" length	7.41

For additional product information, please visit www.zurn.com.

When ordering parts, always list product number and description.

PRODUCT NUMBER	DESCRIPTION	UPC	LIST PRICE
ZH8824-XL Series Compression - Compression (1/2 NOM x 3/8 OD)			
ZH8824-XL-PC	Control Stop Standard	670240359031	31.65
ZH8824-XL-LK-PC	Control Stop Loose Key	670240359048	36.83
ZH8824-XL-Q-PC	Control Stop Quarter Turn	670240389939	39.59
ZH8824-XL-LK-Q-PC	Control Stop Loose Key Quarter Turn	-	44.16
ZH8824-XL-LR-PC	Control Stop Standard w/ Copper Riser Supply Kit	670240381612	75.14
ZH8824-XL-LR-LK-PC	Control Stop Loose Key w/ Copper Riser Supply Kit	-	84.51
ZH8824-XL-LR-Q-PC	Control Stop Quarter Turn w/ Copper Riser Supply Kit	670240794849	90.02
ZH8824-XL-LR-LK-Q-PC	Control Stop Loose Key Quarter Turn w/ Copper Riser Supply Kit	-	92.78
ZH8824-XL-LR-8860-12-PC	Control Stop Standard w/ SS Hose Supply Kit	-	78.90
ZH8824-XL-LR-LK-8860-12-PC	Control Stop Loose Key w/ SS Hose Supply Kit	-	88.74
ZH8824-XL-LR-Q-8860-12-PC	Control Stop Quarter Turn w/ SS Hose Supply Kit	-	94.53
ZH8824-XL-LR-LK-Q-8860-12-PC	Control Stop Loose Key Quarter Turn w/ SS Hose Supply Kit	-	97.42
ZH8825-XL Series Compression - Compression (1/2 NOM x 1/2 OD)			
ZH8825-XL-PC	Control Stop Standard	889934065671	32.89
ZH8825-XL-LK-PC	Control Stop Loose Key	889934065688	38.07
ZH8825-XL-LR-PC	Control Stop Standard w/ Copper Riser Supply Kit	-	85.29
ZH8825-XL-LR-LK-PC	Control Stop Loose Key w/ Copper Riser Supply Kit	889934065718	93.51
ZH8825-XL-LR-8862-12-PC	Control Stop Standard w/ SS Hose Supply Kit	-	89.55
ZH8825-XL-LR-LK-8862-12-PC	Control Stop Loose Key w/ SS Hose Supply Kit	-	98.18
ZH8826-XL Series Copper Sweat - Compression (1/2 SWT x 3/8 OD)			
ZH8826-XL-PC	Control Stop Standard	670240813823	32.42
ZH8826-XL-LK-PC	Control Stop Loose Key	670240813809	36.44
ZH8826-XL-LR-PC	Control Stop Standard w/ Copper Riser Supply Kit	670240853812	89.36
ZH8826-XL-LR-LK-PC	Control Stop Loose Key w/ Copper Riser Supply Kit	670240852822	101.38
ZH8826-XL-LR-8860-12-PC	Control Stop Standard w/ SS Hose Supply Kit	-	93.83
ZH8826-XL-LR-LK-8860-12-PC	Control Stop Loose Key w/ SS Hose Supply Kit	-	106.44
ZH8827-XL Series Copper Sweat - Compression (1/2 SWT x 3/8 OD)			
ZH8827-XL-PC	Control Stop Standard	670240813816	43.22
ZH8827-XL-LK-PC	Control Stop Loose Key	670240813885	16.63
ZH8827-XL-LR-PC	Control Stop Standard w/ Copper Riser Supply Kit	670240822900	101.34
ZH8827-XL-LR-LK-PC	Control Stop Loose Key w/ Copper Riser Supply Kit	670240845800	101.88
ZH8827-XL-LR-8860-12-PC	Control Stop Standard w/ SS Hose Supply Kit	-	106.40
ZH8827-XL-LR-LK-8860-12-PC	Control Stop Loose Key w/ SS Hose Supply Kit	-	106.97



SUFFIX	ADD SUFFIX	ADD SUFFIX	ADD SUFFIX	ADD
-XL = Lead Compliant	-C1 = Standard Line Lock Shield	6.13	-3 = 3/8" IPS x 3" Nipple	18.42
-LR = Supply Kit Copper Risers	-CE = Cast Escutcheon	20.90	-3 = 1/2" IPS x 3" Nipple	24.09
-LK = Loose Key	-D = Deep Steel Escutcheon	3.70	-5 = 3/8" IPS x 5" Nipple	27.02
-Q = Quarter Turn	-PC = Polished Chrome	-	-5 = 1/2" IPS x 5" Nipple	34.35
			-8860 = Braided Stainless Steel	-
			-16 = 16" length	3.59
			-20 = 20" length	7.41

When ordering parts, always list product number and description.

For additional product information, please visit www.zurn.com.

STANDARD CLOSET SUPPLY STOPS AND KITS

This section includes standard angle control stops and supply kits with wheel handle type, loose key type, and quarter turn options. Standard water closet supply kits are provided with (1) 12" chrome plated copper riser tubes with (1) chrome plated steel flanges. There are also braided stainless steel hose supply kit options.

PRODUCT NUMBER	DESCRIPTION	UPC	LIST PRICE
Z8800-XL Series Pipe - Compression (3/8 IPS x 3/8 OD)			
Z8800-XL-PC	Control Stop Standard	670240811508	11.08
Z8800-XL-LK-PC	Control Stop Loose Key	670240811485	14.34
Z8800-XL-Q-PC	Control Stop Quarter Turn	670240811577	16.59
Z8800-XL-LK-Q-PC	Control Stop Loose Key Quarter Turn	-	18.86
Z8800-XL-CR-PC	Control Stop Standard w/ Copper Riser Supply Kit	670240856998	17.04
Z8800-XL-CR-LK-PC	Control Stop Loose Key w/ Copper Riser Supply Kit	670240861480	17.80
Z8800-XL-CR-Q-PC	Control Stop Quarter Turn w/ Copper Riser Supply Kit	-	22.35
Z8800-XL-CR-LK-Q-PC	Control Stop Loose Key Quarter Turn w/ Copper Riser Supply Kit	889934066210	23.25
Z8800-XL-CR-8870-12-PC	Control Stop Standard w/ SS Hose Supply Kit	-	20.82
Z8800-XL-CR-LK-8870-12-PC	Control Stop Loose Key w/ SS Hose Supply Kit	-	21.66
Z8800-XL-CR-Q-8870-12-PC	Control Stop Quarter Turn w/ SS Hose Supply Kit	-	24.56
Z8800-XL-CR-LK-Q-8870-12-PC	Control Stop Loose Key Quarter Turn w/ SS Hose Supply Kit	-	26.84
Z8802-XL Series Pipe - Compression (1/2 IPS x 3/8 OD)			
Z8802-XL-PC	Control Stop Standard	670240358928	10.98
Z8802-XL-LK-PC	Control Stop Loose Key	670240358935	12.35
Z8802-XL-Q-PC	Control Stop Quarter Turn	670240389854	13.29
Z8802-XL-LK-Q-PC	Control Stop Loose Key Quarter Turn	-	15.66
Z8802-XL-CR-PC	Control Stop Standard w/ Copper Riser Supply Kit	670240807716	19.74
Z8802-XL-CR-LK-PC	Control Stop Loose Key w/ Copper Riser Supply Kit	670240018105	22.78
Z8802-XL-CR-Q-PC	Control Stop Quarter Turn w/ Copper Riser Supply Kit	-	22.11
Z8802-XL-CR-LK-Q-PC	Control Stop Loose Key Quarter Turn w/ Copper Riser Supply Kit	889934065862	23.62
Z8802-XL-CR-8870-12-PC	Control Stop Standard w/ SS Hose Supply Kit	-	22.41
Z8802-XL-CR-LK-8870-12-PC	Control Stop Loose Key w/ SS Hose Supply Kit	-	25.50
Z8802-XL-CR-Q-8870-12-PC	Control Stop Quarter Turn w/ SS Hose Supply Kit	-	24.77
Z8802-XL-CR-LK-Q-8870-12-PC	Control Stop Loose Key Quarter Turn w/ SS Hose Supply Kit	-	26.99
Z8803-XL Series Pipe - Compression (1/2 IPS x 1/2 OD)			
Z8803-XL-PC	Control Stop Standard	670240824720	14.32
Z8803-XL-LK-PC	Control Stop Loose Key	670240824737	16.52
Z8803-XL-CR-PC	Control Stop Standard w/ Copper Riser Supply Kit	-	27.87
Z8803-XL-CR-LK-PC	Control Stop Loose Key w/ Copper Riser Supply Kit	889934085273	34.64
Z8803-XL-CR-8873-12-PC	Control Stop Standard w/ SS Hose Supply Kit	-	28.66
Z8803-XL-CR-LK-8873-12-PC	Control Stop Loose Key w/ SS Hose Supply Kit	-	37.14



Z880_-XL-CR-PC



Z880_-XL-CR-8870-12-PC

SUFFIX	ADD	SUFFIX	ADD	SUFFIX	ADD
-XL = Lead Compliant	-	-C1 = Standard Line Lock Shield	6.13	-3 = 3/8" IPS x 3" Nipple	18.42
-LR = Supply Kit Copper Risers	-	-CE = Cast Escutcheon	20.90	-3 = 1/2" IPS x 3" Nipple	24.09
-LK = Loose Key	-	-D = Deep Steel Escutcheon	3.70	-5 = 3/8" IPS x 5" Nipple	27.02
-Q = Quarter Turn	-	-PC = Polished Chrome	-	-5 = 1/2" IPS x 5" Nipple	34.35
				-8860 = Braided Stainless Steel	-
				-16 = 16" length	3.59
				-20 = 20" length	7.41

For additional product information, please visit www.zurn.com.

When ordering parts, always list product number and description.

PRODUCT NUMBER	DESCRIPTION	UPC	LIST PRICE
Z8804-XL Series Compression - Compression (1/2 NOM x 3/8 OD)			
Z8804-XL-PC	Control Stop Standard	670240358973	11.52
Z8804-XL-LK-PC	Control Stop Loose Key	670240358980	14.06
Z8804-XL-Q-PC	Control Stop Quarter Turn	670240389878	14.39
Z8804-XL-LK-Q-PC	Control Stop Loose Key Quarter Turn	-	15.88
Z8804-XL-CR-PC	Control Stop Standard w/ Copper Riser Supply Kit	670240817043	18.93
Z8804-XL-CR-LK-PC	Control Stop Loose Key w/ Copper Riser Supply Kit	670240824126	21.02
Z8804-XL-CR-Q-PC	Control Stop Quarter Turn w/ Copper Riser Supply Kit	-	24.32
Z8804-XL-CR-LK-Q-PC	Control Stop Loose Key Quarter Turn w/ Copper Riser Supply Kit	-	25.83
Z8804-XL-CR-8870-12-PC	Control Stop Standard w/ SS Hose Supply Kit	-	22.41
Z8804-XL-CR-LK-8870-12-PC	Control Stop Loose Key w/ SS Hose Supply Kit	-	25.72
Z8804-XL-CR-Q-8870-12-PC	Control Stop Quarter Turn w/ SS Hose Supply Kit	-	26.99
Z8804-XL-CR-LK-Q-8870-12-PC	Control Stop Loose Key Quarter Turn w/ SS Hose Supply Kit	-	28.20
Z8805-XL Series Compression - Compression (3/8 IPS x 3/8 OD)			
Z8805-XL-PC	Control Stop Standard	670240834248	12.25
Z8805-XL-LK-PC	Control Stop Loose Key	670240829558	14.23
Z8805-XL-CR-PC	Control Stop Standard w/ Copper Riser Supply Kit	670240967045	23.89
Z8805-XL-CR-LK-PC	Control Stop Loose Key w/ Copper Riser Supply Kit	-	25.77
Z8805-XL-CR-8873-12-PC	Control Stop Standard w/ SS Hose Supply Kit	-	25.56
Z8805-XL-CR-LK-8873-12-PC	Control Stop Loose Key w/ SS Hose Supply Kit	-	26.90



Z8804-XL-CR-PC



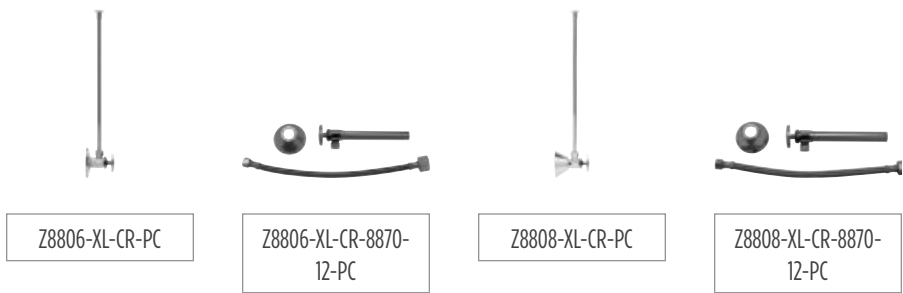
Z8804-XL-CR-8870-12-PC

SUFFIX	ADD	SUFFIX	ADD	SUFFIX	ADD	SUFFIX	ADD
-XL = Lead Compliant	-	-C1 = Standard Line Lock Shield	6.13	-3 = 3/8" IPS x 3" Nipple	18.42	-8860 = Braided Stainless Steel	-
-LR = Supply Kit Copper Risers	-	-CE = Cast Escutcheon	20.90	-3 = 1/2" IPS x 3" Nipple	24.09	-16 = 16" length	3.59
-LK = Loose Key	-	-D = Deep Steel Escutcheon	3.70	-5 = 3/8" IPS x 5" Nipple	27.02	-20 = 20" length	7.41
-Q = Quarter Turn	-	-PC = Polished Chrome	-	-5 = 1/2" IPS x 5" Nipple	34.35		

When ordering parts, always list product number and description.

For additional product information, please visit www.zurn.com.

PRODUCT NUMBER	DESCRIPTION	UPC	LIST PRICE
Z8806-XL Series Copper Sweat - Compression (1/2 IPS x 3/8 OD)			
Z8806-XL-PC	Control Stop Standard	670240811560	12.41
Z8806-XL-LK-PC	Control Stop Loose Key	670240794627	14.96
Z8806-XL-Q-PC	Control Stop Quarter Turn	670240811553	16.82
Z8806-XL-LK-Q-PC	Control Stop Loose Key Quarter Turn	-	17.59
Z8806-XL-CR-PC	Control Stop Standard w/ Copper Riser Supply Kit	670240853904	18.64
Z8806-XL-CR-LK-PC	Control Stop Loose Key w/ Copper Riser Supply Kit	670240938052	20.67
Z8806-XL-CR-Q-PC	Control Stop Quarter Turn w/ Copper Riser Supply Kit	889934065893	19.65
Z8806-XL-CR-LK-Q-PC	Control Stop Loose Key Quarter Turn w/ Copper Riser Supply Kit	889934065916	22.86
Z8806-XL-CR-8870-12-PC	Control Stop Standard w/ SS Hose Supply Kit	-	19.68
Z8806-XL-CR-LK-8870-12-PC	Control Stop Loose Key w/ SS Hose Supply Kit	-	21.59
Z8806-XL-CR-Q-8870-12-PC	Control Stop Quarter Turn w/ SS Hose Supply Kit	-	22.08
Z8806-XL-CR-LK-Q-8870-12-PC	Control Stop Loose Key Quarter Turn w/ SS Hose Supply Kit	-	23.50
Z8807-XL Series Copper Sweat - Compression (1/2 IPS x 1/2 OD)			
Z8807-XL-PC	Control Stop Standard	670240834255	11.47
Z8807-XL-LK-PC	Control Stop Loose Key	670240829534	13.29
Z8807-XL-CR-PC	Control Stop Standard w/ Copper Riser Supply Kit	-	21.11
Z8807-XL-CR-LK-PC	Control Stop Loose Key w/ Copper Riser Supply Kit	-	22.25
Z8807-XL-CR-8870-12-PC	Control Stop Standard w/ SS Hose Supply Kit	-	22.11
Z8807-XL-CR-LK-8870-12-PC	Control Stop Loose Key w/ SS Hose Supply Kit	-	23.26
Z8808-XL Series Copper Sweat - Compression (1/2 SWT x 3/8 OD)			
Z8808-XL-PC	Control Stop Standard	670240358997	15.22
Z8808-XL-LK-PC	Control Stop Loose Key	670240359000	16.71
Z8808-XL-Q-PC	Control Stop Quarter Turn	670240389892	18.97
Z8808-XL-LK-Q-PC	Control Stop Loose Key Quarter Turn	-	24.09
Z8808-XL-CR-PC	Control Stop Standard w/ Copper Riser Supply Kit	670240690677	30.41
Z8808-XL-CR-LK-PC	Control Stop Loose Key w/ Copper Riser Supply Kit	-	32.69
Z8808-XL-CR-Q-PC	Control Stop Quarter Turn w/ Copper Riser Supply Kit	-	34.54
Z8808-XL-CR-LK-Q-PC	Control Stop Loose Key Quarter Turn w/ Copper Riser Supply Kit	670240922198	36.05
Z8808-XL-CR-8870-12-PC	Control Stop Standard w/ SS Hose Supply Kit	-	33.05
Z8808-XL-CR-LK-8870-12-PC	Control Stop Loose Key w/ SS Hose Supply Kit	-	33.54
Z8808-XL-CR-Q-8870-12-PC	Control Stop Quarter Turn w/ SS Hose Supply Kit	-	37.21
Z8808-XL-CR-LK-Q-8870-12-PC	Control Stop Loose Key Quarter Turn w/ SS Hose Supply Kit	-	38.33
Z8809-XL Series Copper Sweat - Compression (1/2 SWT x 1/2 OD)			
Z8809-XL-PC	Control Stop Standard	670240834262	25.14
Z8809-XL-LK-PC	Control Stop Loose Key	670240829541	27.46
Z8809-XL-CR-PC	Control Stop Standard w/ Copper Riser Supply Kit	-	39.30
Z8809-XL-CR-LK-PC	Control Stop Loose Key w/ Copper Riser Supply Kit	-	41.48
Z8809-XL-CR-8870-12-PC	Control Stop Standard w/ SS Hose Supply Kit	-	40.18
Z8809-XL-CR-LK-8870-12-PC	Control Stop Loose Key w/ SS Hose Supply Kit	-	42.54



SUFFIX	ADD	SUFFIX	ADD	SUFFIX	ADD
-XL = Lead Compliant	-	-C1 = Standard Line Lock Shield	6.13	-3 = 3/8" IPS x 3" Nipple	18.42
-LR = Supply Kit Copper Risers	-	-CE = Cast Escutcheon	20.90	-3 = 1/2" IPS x 3" Nipple	24.09
-LK = Loose Key	-	-D = Deep Steel Escutcheon	3.70	-5 = 3/8" IPS x 5" Nipple	27.02
-Q = Quarter Turn	-	-PC = Polished Chrome	-	-5 = 1/2" IPS x 5" Nipple	34.35
				-8860 = Braided Stainless Steel	-
				-16 = 16" length	3.59
				-20 = 20" length	7.41

For additional product information, please visit www.zurn.com.

When ordering parts, always list product number and description.

HEAVY-DUTY CLOSET SUPPLY STOPS AND KITS

This section includes heavy-duty angle control stops and supply kits with wheel handle type, loose key type, and quarter turn options. Heavy-duty lavatory supply kits are provided with (1) 12" chrome plated copper riser tube with (1) chrome plated steel flange. There are also braided stainless steel hose supply kit options.

PRODUCT NUMBER	DESCRIPTION	UPC	LIST PRICE
ZH8820-XL Series Pipe - Compression (3/8 IPS x 3/8 OD)			
ZH8820-XL-PC	Control Stop Standard	670240813786	25.92
ZH8820-XL-LK-PC	Control Stop Loose Key	670240813762	30.53
ZH8820-XL-Q-PC	Control Stop Quarter Turn	670240813793	32.09
ZH8820-XL-LK-Q-PC	Control Stop Loose Key Quarter Turn	-	34.18
ZH8820-XL-CR-PC	Control Stop Standard w/ Copper Riser Supply Kit	670240930896	19.94
ZH8820-XL-CR-LK-PC	Control Stop Loose Key w/ Copper Riser Supply Kit	670240850842	37.93
ZH8820-XL-CR-Q-PC	Control Stop Quarter Turn w/ Copper Riser Supply Kit	-	40.18
ZH8820-XL-CR-LK-Q-PC	Control Stop Loose Key Quarter Turn w/ Copper Riser Supply Kit	-	41.69
ZH8820-XL-CR-8870-12-PC	Control Stop Standard w/ SS Hose Supply Kit	-	34.74
ZH8820-XL-CR-LK-8870-12-PC	Control Stop Loose Key w/ SS Hose Supply Kit	-	39.83
ZH8820-XL-CR-Q-8870-12-PC	Control Stop Quarter Turn w/ SS Hose Supply Kit	-	42.18
ZH8820-XL-CR-LK-Q-8870-12-PC	Control Stop Loose Key Quarter Turn w/ SS Hose Supply Kit	-	43.78
ZH8822-XL Series Pipe - Compression (1/2 IPS x 3/8 OD)			
ZH8822-XL-PC	Control Stop Standard	670240359017	26.02
ZH8822-XL-LK-PC	Control Stop Loose Key	670240359024	31.04
ZH8822-XL-Q-PC	Control Stop Quarter Turn	670240389915	32.59
ZH8822-XL-LK-Q-PC	Control Stop Loose Key Quarter Turn	-	37.93
ZH8822-XL-CR-PC	Control Stop Standard w/ Copper Riser Supply Kit	889934064643	22.59
ZH8822-XL-CR-LK-PC	Control Stop Loose Key w/ Copper Riser Supply Kit	670240930339	23.06
ZH8822-XL-CR-Q-PC	Control Stop Quarter Turn w/ Copper Riser Supply Kit	-	24.24
ZH8822-XL-CR-LK-Q-PC	Control Stop Loose Key Quarter Turn w/ Copper Riser Supply Kit	-	25.07
ZH8822-XL-CR-8870-12-PC	Control Stop Standard w/ SS Hose Supply Kit	-	21.05
ZH8822-XL-CR-LK-8870-12-PC	Control Stop Loose Key w/ SS Hose Supply Kit	-	24.22
ZH8822-XL-CR-Q-8870-12-PC	Control Stop Quarter Turn w/ SS Hose Supply Kit	-	25.45
ZH8822-XL-CR-LK-Q-88 70-12-PC	Control Stop Loose Key Quarter Turn w/ SS Hose Supply Kit	-	26.32
ZH8823-XL Series Pipe - Compression (1/2 IPS x 1/2 OD)			
ZH8823-XL-PC	Control Stop Standard	670240824713	28.94
ZH8823-XL-LK-PC	Control Stop Loose Key	670240824706	36.22
ZH8823-XL-CR-PC	Control Stop Standard w/ Copper Riser Supply Kit	-	49.79
ZH8823-XL-CR-LK-PC	Control Stop Loose Key w/ Copper Riser Supply Kit	-	50.57
ZH8823-XL-CR-8873-12-PC	Control Stop Standard w/ SS Hose Supply Kit	-	51.96
ZH8823-XL-CR-LK-8873-12-PC	Control Stop Loose Key w/ SS Hose Supply Kit	-	53.10



ZH8820-XL-CR-LK-PC



ZH8820-XL-CR-8870-12-PC

SUFFIX	ADD SUFFIX	ADD SUFFIX	ADD SUFFIX	ADD
-XL = Lead Compliant	-C1 = Standard Line Lock Shield	6.13	-3 = 3/8" IPS x 3" Nipple	18.42
-LR = Supply Kit Copper Risers	-CE = Cast Escutcheon	20.90	-3 = 1/2" IPS x 3" Nipple	24.09
-LK = Loose Key	-D = Deep Steel Escutcheon	3.70	-5 = 3/8" IPS x 5" Nipple	27.02
-Q = Quarter Turn	-PC = Polished Chrome	-	-5 = 1/2" IPS x 5" Nipple	34.35
			-8860 = Braided Stainless Steel	-
			-16 = 16" length	3.59
			-20 = 20" length	7.41

When ordering parts, always list product number and description.

For additional product information, please visit www.zurn.com.

PRODUCT NUMBER	DESCRIPTION	UPC	LIST PRICE
ZH8824-XL Series Compression - Compression (1/2 NOM x 3/8 OD)			
ZH8824-XL-PC	Control Stop Standard	670240359031	31.65
ZH8824-XL-LK-PC	Control Stop Loose Key	670240359048	36.83
ZH8824-XL-Q-PC	Control Stop Quarter Turn	670240389939	39.59
ZH8824-XL-LK-Q-PC	Control Stop Loose Key Quarter Turn	-	44.16
ZH8824-XL-CR-PC	Control Stop Standard w/ Copper Riser Supply Kit	670240816978	23.22
ZH8824-XL-CR-LK-PC	Control Stop Loose Key w/ Copper Riser Supply Kit	670240847187	46.49
ZH8824-XL-CR-Q-PC	Control Stop Quarter Turn w/ Copper Riser Supply Kit	670240941885	49.51
ZH8824-XL-CR-LK-Q-PC	Control Stop Loose Key Quarter Turn w/ Copper Riser Supply Kit	670240941878	51.03
ZH8824-XL-CR-8870-12-PC	Control Stop Standard w/ SS Hose Supply Kit	-	43.39
ZH8824-XL-CR-LK-8870-12-PC	Control Stop Loose Key w/ SS Hose Supply Kit	-	48.81
ZH8824-XL-CR-Q-8870-12-PC	Control Stop Quarter Turn w/ SS Hose Supply Kit	-	51.99
ZH8824-XL-CR-LK-Q-8870-12-PC	Control Stop Loose Key Quarter Turn w/ SS Hose Supply Kit	-	53.59
ZH8825-XL Series Compression - Compression (1/2 IPS x 1/2 OD)			
ZH8825-XL-PC	Control Stop Standard	889934065671	32.89
ZH8825-XL-LK-PC	Control Stop Loose Key	889934065688	38.07
ZH8825-XL-CR-PC	Control Stop Standard w/ Copper Riser Supply Kit	-	46.91
ZH8825-XL-CR-LK-PC	Control Stop Loose Key w/ Copper Riser Supply Kit	889934077490	51.43
ZH8825-XL-CR-8873-12-PC	Control Stop Standard w/ SS Hose Supply Kit	-	49.25
ZH8825-XL-CR-LK-8873-12-PC	Control Stop Loose Key w/ SS Hose Supply Kit	-	54.00
ZH8826-XL Series Copper Sweat - Compression (1/2 SWT x 3/8 OD)			
ZH8826-XL-PC	Control Stop Standard	670240813823	32.42
ZH8826-XL-LK-PC	Control Stop Loose Key	670240813809	36.44
ZH8826-XL-CR-PC	Control Stop Standard w/ Copper Riser Supply Kit	889934077391	50.60
ZH8826-XL-CR-LK-PC	Control Stop Loose Key w/ Copper Riser Supply Kit	889934063721	51.94
ZH8826-XL-CR-8870-12-PC	Control Stop Standard w/ SS Hose Supply Kit	-	51.61
ZH8826-XL-CR-LK-8870-12-PC	Control Stop Loose Key w/ SS Hose Supply Kit	-	58.55
ZH8827-XL Series Copper Sweat - Compression (1/2 SWT x 3/8 OD)			
ZH8827-XL-PC	Control Stop Standard	670240813816	43.22
ZH8827-XL-LK-PC	Control Stop Loose Key	670240813885	48.13
ZH8827-XL-CR-PC	Control Stop Standard w/ Copper Riser Supply Kit	-	27.26
ZH8827-XL-CR-LK-PC	Control Stop Loose Key w/ Copper Riser Supply Kit	670240850781	29.69
ZH8827-XL-CR-8870-12-PC	Control Stop Standard w/ SS Hose Supply Kit	-	58.52
ZH8827-XL-CR-LK-8870-12-PC	Control Stop Loose Key w/ SS Hose Supply Kit	-	58.84



ZH8824-XL-CR-LK-PC



ZH8824-XL-CR-8870-12-PC



ZH8826-XL-CR-LK-PC



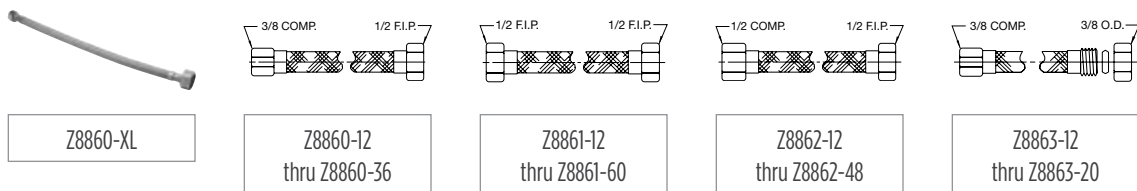
ZH8826-XL-CR-8870-12-PC

SUFFIX	ADD	SUFFIX	ADD	SUFFIX	ADD
-XL = Lead Compliant	-	-C1 = Standard Line Lock Shield	6.13	-3 = 3/8" IPS x 3" Nipple	18.42
-LR = Supply Kit Copper Risers	-	-CE = Cast Escutcheon	20.90	-3 = 1/2" IPS x 3" Nipple	24.09
-LK = Loose Key	-	-D = Deep Steel Escutcheon	3.70	-5 = 3/8" IPS x 5" Nipple	27.02
-Q = Quarter Turn	-	-PC = Polished Chrome	-	-5 = 1/2" IPS x 5" Nipple	34.35
				-8860 = Braided Stainless Steel	-
				-16 = 16" length	3.59
				-20 = 20" length	7.41

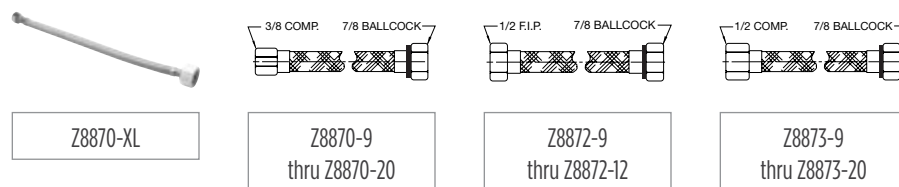
BRAIDED STAINLESS STEEL SUPPLIES

EPDM tubing jacketed by type 304 stainless steel braid, stainless steel ferrule, and nickel-plated brass nuts. Max. temperature 180°F and max. pressure 125 psi.

PRODUCT NUMBER	LENGTH	MASTER CARTON QTY	WEIGHT CARTON	UPC	LIST PRICE
LAVATORY/SINK SUPPLIES					
Z8860-XL Series Compression - Female Threaded Pipe (3/8 COMP x 1/2 FIP)					
Z8860-XL-12-SS	12"	25	6	670240369924	7.96
Z8860-XL-16-SS	16"	25	6	670240369931	8.82
Z8860-XL-20-SS	20"	25	6	670240369948	10.15
Z8860-XL-30-SS	30"	25	9	670240369955	13.23
Z8860-XL-36-SS	36"	25	9	670240369962	15
Z8861-XL Series Female Threaded Pipe - Female Threaded Pipe (1/2 FIP x 1/2 FIP)					
Z8861-XL-12-SS	12"	25	6	670240369979	10.59
Z8861-XL-30-SS	30"	25	10	670240370005	21.95
Z8861-XL-60-SS	60"	25	16	670240370012	23.27
Z8862-XL Series Compression - Female Threaded Pipe (1/2 COMP x 1/2 FIP)					
Z8862-XL-12-SS	12"	25	6	670240370029	8.77
Z8862-XL-16-SS	16"	25	6	670240370036	10.26
Z8862-XL-20-SS	20"	25	6	670240370043	10.54
Z8862-XL-30-SS	30"	25	10	670240370050	14.78
Z8862-XL-36-SS	36"	25	10	670240370067	16.05
Z8863-XL Series Compression - Outside Diameter (3/8 COMP x 3/8 OD)					
Z8863-XL-12-SS	12"	25	6	670240370074	9.87
Z8863-XL-20-SS	20"	25	6	670240370081	12.13
CLOSET SUPPLIES					
Z8870-XL Series Compression - Ballcock Nut (3/8 COMP x 7/8 BALLCOCK NUT)					
Z8870-XL-9-SS	9"	25	5	-	6.57
Z8870-XL-12-SS	12"	25	5	670240834231	7.94
Z8870-XL-20-SS	20"	25	5	-	10.86
Z8872-XL Series Female Threaded Pipe - Ballcock Nut (1/2 FIP x 7/8 BALLCOCK NUT)					
Z8872-XL-9-SS	9"	25	5	-	8.28
Z8873-XL Series Compression - Ballcock Nut (1/2 COMP x 7/8 BALLCOCK NUT)					
Z8873-XL-9-SS	9"	25	5	-	8.06
Z8873-XL-12-SS	12"	25	5	-	9.65
Z8873-XL-20-SS	20"	25	5	-	12.41



NSF Certified to ANSI/NSF 14-16



FLANGES AND NIPPLES

PRODUCT NO.	SIZE	MASTER CARTON QTY	WEIGHT CARTON	UPC	LIST PRICE
FLANGES					
Chrome-plated, cast brass flange with setscrew.					
Z8900-PC	3/8 IPS, 11/16 OD	100	20	084169619723	12.18
Z8901-PC	1/2 IPS	100	20	084169619730	12.41
Z8902-PC	5/8 OD	100	20	084169619747	12.69
Z8904-PC	3/4 IPS	100	20	084169619754	13.62
Z8905-PC	7/8 OD	100	20	084169619761	13.62
Z8906-PC	1 IPS	100	20	084169619778	14.61
Z8907-PC	1-1/4 IPS	50	12	084169619785	14.89
Z8908-PC	1-1/4 OD	50	12	084169619792	13.84
Z8909-PC	1-1/2 IPS	50	15	084169619808	15.33
Z8910-PC	1-1/2 OD	50	15	084169619815	13.68
Z8911-PC	2 IPS	50	15	084169619822	23.93
Z8912-PC	2 OD	50	15	084169619839	22.44
NIPPLES					
Chrome-plated, cast brass IPS nipples.					
Z8916-XL-115-PC	3/8 x 1-1/2	100	10	670240848054	5.69
Z8916-3-PC	3/8 x 3	100	12	084169619891	9.27
Z8916-5-PC	3/8 x 5	100	24	084169619914	14.28
Z8916-XL-6-PC	3/8 x 6	50	14	670240848085	17.64
Z8917-3-PC	1/2 x 3	100	15	084169619921	13.68
Z8917-XL-4-PC	1/2 x 4	100	24	670240848078	15.39
Z8917-XL-5-PC	1/2 x 5	100	24	670240848061	17.32
Z8917-XL-6-PC	1/2 x 6	50	15	670240848047	20.68



Z8900-PC



Z89__-__-PC

SEMI-CAST TRAPS

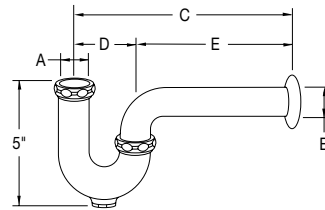
PRODUCT NO.	DIMENSIONS IN INCHES					GAUGE	MASTER CARTON QTY	WEIGHT CARTON	UPC	LIST PRICE
	A INLET	B OUTLET	C	D	E					
P-TRAPS WITH WALL BEND										
Chrome-plated, cast body P-trap with cleanout, tubular wall bend as specified, die-cast nuts, and shallow escutcheon with compression inlet.										
Z8700-PC	1-1/4	1-1/4	10	2-1/2	7-1/2	17	12	24	084169617101	43.28
Z8700-8-PC	1-1/4	1-1/4	11	2-1/2	8-1/2	17	12	24	084169616999	48.68
Z8700-15-PC	1-1/4	1-1/4	15	2-1/2	12-1/2	17	18	40	084169616920	54.14
Z8700B-PC-BA	1-1/4	1-1/4	15	2-1/2	12-1/2	17	18	40	670240489646	60.47
Z8701-PC	1-1/4	1-1/2	10-1/2	3	7-1/2	17	12	24	084169617323	48.29
Z8701-9-PC	1-1/4	1-1/2	12	3	9	17	12	24	084169617200	54.64
Z8701-15-PC	1-1/4	1-1/2	15	3	12	17	18	42	084169617132	61.47
Z8701B-PC-BA	1-1/4	1-1/2	15	3	12	17	18	42	670240489653	67.31
Z8701-9BBX-PC-BA	1-1/4	1-1/2	12	3	9	17	18	42	670240686892	76.35
Z8702-PC	1-1/2	1-1/2	12	3	1/9/1900	17	12	24	084169617583	48.29
Z8702-9-PC	1-1/2	1-1/2	12	3	9	17	12	24	084169617460	54.64
Z8702-15-PC	1-1/2	1-1/2	12	3	9	17	18	42	084169617385	61.47
Z8702B-PC-BA	1-1/2	1-1/2	15	3	12	17	18	42	670240489691	67.31
Z8702-9BBX-PC-BA	1-1/2	1-1/2	12	3	9	17	18	42	670240686908	76.35
Z8703B-PC	1-1/2	2	12-1/2	4	9	17	6	18	670240536180	196.42
Z8704B-PC	2	2	12-1/2	4	9	17	6	18	084169617606	196.42
Z8706-PC	1-1/2	1-1/4	10	2-1/2	7-1/2	20	12	24	084169617637	40.19
Z8707-PC	1-1/2	1-1/2	10-1/2	3	7-1/2	20	12	24	084169617644	46.92
Z8708-PC	1-1/2	1-1/2	10-1/2	3	7-1/2	20	12	24	084169617651	46.92



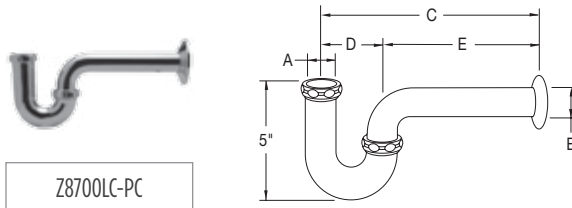
Z8700-PC



Z8702-PC



PRODUCT NO.	DIMENSIONS IN INCHES					GAUGE	MASTER CARTON QTY	WEIGHT CARTON	UPC	LIST PRICE
	A INLET	B OUTLET	C	D	E					
P-TRAPS WITH WALL BEND LESS CLEANOUT										
Chrome-plated, cast body P-trap, tubular wall bend as specified, die-cast nuts, and shallow escutcheon with compression inlet.										
Z8700LC-PC	1-1/4	1-1/4	10	2-1/2	7-1/2	17	12	24	084169617095	43.28
Z8700-8LC-PC	1-1/4	1-1/4	11	2-1/2	8-1/2	17	12	24	084169616982	48.68
Z8701-9LC-PC	1-1/4	1-1/2	12	3	9	17	12	24	084169617194	52.26
Z8702-9LC-PC	1-1/2	1-1/2	12	3	9	17	12	24	084169617453	52.26
Z8701LCB-PC	1-1/4	1-1/2	10-1/2	3	7-1/2	17	12	23	084169617309	53.09
Z8702LCB-PC	1-1/2	1-1/2	10-1/2	3	7-1/2	17	12	23	084169617569	53.09
SUFFIX OPTIONS										
DESCRIPTION										
-B	Brass Nuts (2)									4.86
-BX	Box Escutcheon									2.43
-CE	Cast Brass Escutcheon with Setscrew									10.86
-D	Deep Escutcheon									1.72
-J	Metal-to-Metal Ground Joint Connection									1.28
-WC	Waste Connections – Per Piece									12.03
-BA	TAA Compliant									-
WALL BEND LENGTH OPTIONS										
ADD										
-15	15" C Dim. 1-1/4" and 1-1/2" Only								1-1/4	10.86
								1-1/2	13.29	
-18	18" C Dim. 1-1/4" and 1-1/2" Only								1-1/4	15.66
								1-1/2	18.09	



Z8700LC-PC

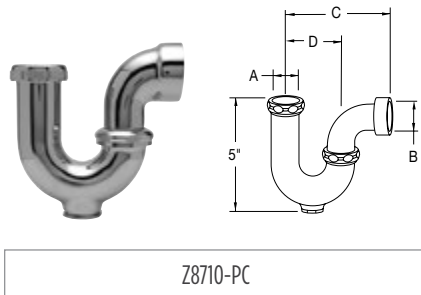
PRODUCT NO.	DIMENSIONS IN INCHES					GAUGE	MASTER CARTON QTY	WEIGHT CARTON	UPC	LIST PRICE
	A INLET	B OUTLET	C	D	E					
P-TRAPS WITH WALL BEND LESS CLEANOUT AND WITH CLEANOUT – TAMPER PROOF										
Chrome-plated, cast body P-trap, tubular wall bend as specified, waste connections, brass nuts, and box escutcheon with compression inlet.										
Less Cleanout										
Z8701-9LCBWCBX-WC-PC	1-1/4	1-1/2	12	3	9	17	12	30	670240584501	86.56
Z8702-9LCBWCBX-WC-PC	1-1/2	1-1/2	12	3	9	17	12	30	670240537309	86.56
With Cleanout										
Z8701-9BWCBX-WC-PC	1-1/4	1-1/2	12	3	9	17	12	30	670240398535	86.56
Z8702-9BWCBX-WC-PC	1-1/2	1-1/2	12	3	9	17	12	30	670240399266	86.57



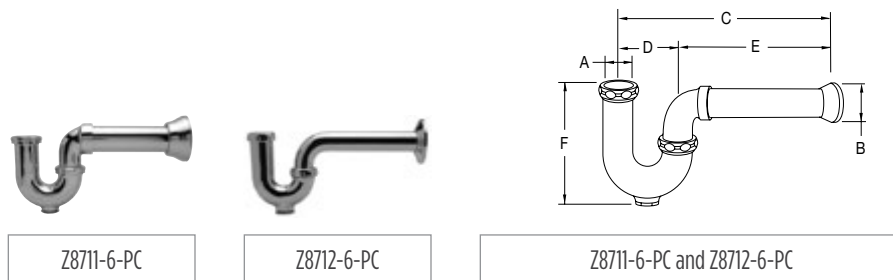
Z8701-9LCBWCBX-WC-PC

Z8701-9BWCBX-WC-PC

PRODUCT NO.	DIMENSIONS IN INCHES				GAUGE	MASTER CARTON QTY	WEIGHT CARTON	UPC	LIST PRICE
	A INLET	B OUTLET	C	D					
SWIVEL P-TRAPS									
Chrome-plated, cast brass body P-trap with cleanout, cast brass ground joint elbow, die-cast nuts, and I.P.S. outlet (Ft. Worth trap).									
Z8710-PC	1-1/4	1-1/4	4-1/4	2-1/2		15	24	084169617682	59.27
Z8711-PC	1-1/4	1-1/2	4-1/4	3		15	28	084169617743	63.95
Z8712-PC	1-1/2	1-1/2	4-1/4	3		15	27	084169617811	63.95
SUFFIX	DESCRIPTION								ADD
-B	Brass Nut								2.26



PRODUCT NO.	DIMENSIONS IN INCHES						GAUGE	MASTER CARTON QTY	WEIGHT CARTON	UPC	LIST PRICE
	A INLET	B OUTLET	C	D	E	F					
ALL-CAST SWIVEL TRAPS WITH COPPER EXTENSION P-TRAP											
Chrome-plated, cast brass swivel P-trap with ground joint cast elbow and 1-23/32 OD tubular extension for copper tubing with brass nuts and deep steel flange. (Ft. Worth trap for copper.)											
Z8711-6-PC	1-1/4	1-1/2	10	3	7	5	6	12	30	084169617699	84.46
Z8711-8-PC	1-1/4	1-1/2	12	3	9	5	8	6	20	670240601949	89.75
Z8711-12-PC	1-1/4	1-1/2	16	3	13	5	12	6	20	670240617261	98.18
Z8712-6-PC	1-1/2	1-1/2	10	3	7	5	6	12	30	084169673695	84.46
Z8712-8-PC	1-1/2	1-1/2	12	3	9	5	8	6	20	084169617798	89.75
Z8712-12-PC	1-1/2	1-1/2	16	3	13	5	12	6	20	670240548350	98.18



Z8711-6-PC

Z8712-6-PC

Z8711-6-PC and Z8712-6-PC

TRAPS

PRODUCT NO.	GAUGE	SIZE/DESCRIPTION	MASTER CARTON QTY	UPC	LIST PRICE
-------------	-------	------------------	-------------------	-----	------------

TUBULAR P-TRAPS

Available Options: -B, -BX, -CE, -D, -J
 *Not available with metal-to-metal ground joint.

Less Cleanout

ZR360-PC	20	1-1/4"	30	670240547018	28.28
ZR363-PC	20	1-1/2"	30	670240546530	32.2
ZR361-PC	17	1-1/4"	30	670240539655	34.96
ZR361-RB	17	1-1/4"	30	670240599840	31.43
ZR364-PC	17	1-1/2" x 1-1/4"	30	670240574618	40.63
ZR365-PC	17	1-1/2"	30	670240539662	40.3

With Cleanout

ZR366-PC	20	1-1/4"	30	670240537293	45.48
ZR368-PC	20	1-1/2" x 1-1/4"	30	670240643604	49.18
ZR369-PC	20	1-1/2"	30	670240563711	49.18
ZR367-PC*	17	1-1/4"	30	670240541924	51.87
ZR370-PC	17	1-1/2" x 1-1/4"	30	670240572294	56.79
ZR370JBD-RB	17	1-1/2" x 1-1/4"	30	670240604445	60.59
ZR371-PC	17	1-1/2"	30	670240538788	56.79
ZR371JBD-RB	17	1-1/2"	30	670240610613	60.59
Z21-1-PC		Cleanout Plug	30	670240538047	8.72
Z21-3-NT		Washer for Cleanout	30	670240538054	1

TUBULAR P-TRAPS – CHOKED INLET Less Cleanout

Available Options: -B, -BX, -CE, -D, -J

ZR362CH-PC	20	1-1/2" x 1-1/4"	30	670240569737	34.79
------------	----	-----------------	----	--------------	-------

TUBULAR P-TRAPS – EXTRA LONG, 15" AND 18"

Available Options: -B, -BX, -CE, -D

Less Cleanout

ZR361X-PC	17	1-1/4" x 15"	18	670240566613	45.48
ZR365X-PC	17	1-1/2" x 15"	18	670240548572	51.38

With Cleanout

ZR367X-PC	17	1-1/4" x 15"	18	670240564008	55.74
ZR371X-PC	17	1-1/2" x 15"	18	670240534056	68.58

OPTIONS FOR TUBULAR P-TRAPS	DESCRIPTION	ADD
-B	Cast Brass Nuts	4.62
-BX	Box Escutcheon (P-Traps Only)	2.37
-CE	Cast Brass Escutcheon	10.4
-D	Deep Escutcheon	1.74
-J	Ground Joint (17-Gauge Only)	1.16



ZR360-PC



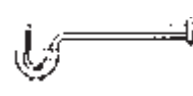
ZR366-PC



ZR362CH-PC

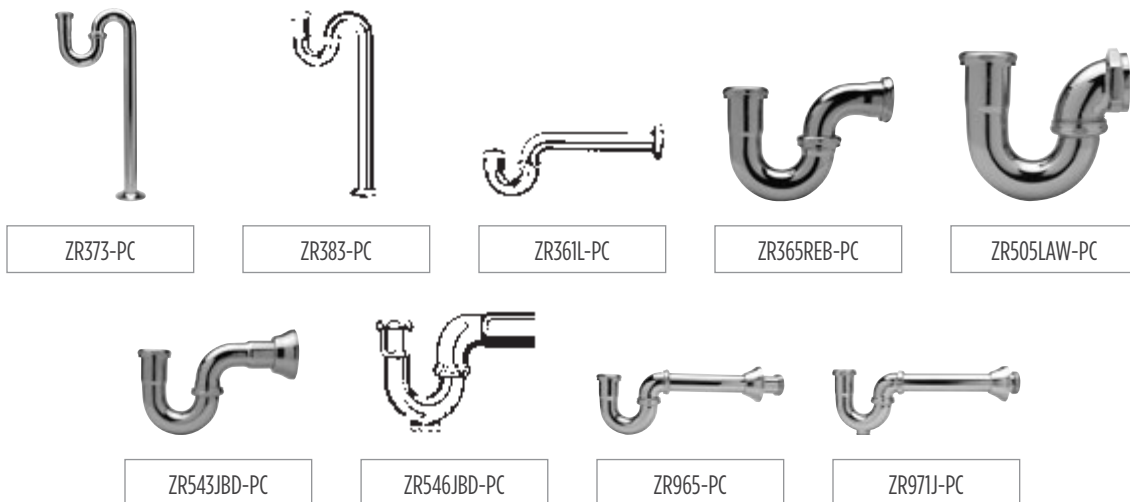


ZR361X-PC



ZR367X-PC

PRODUCT NO.	GAUGE	SIZE/DESCRIPTION	MASTER CARTON QTY	UPC	LIST PRICE
TUBULAR S-TRAPS					
Available Options: -B, -D					
Less Cleanout					
ZR373-PC	17	1-1/4"	15	670240546844	73.65
ZR377-PC	17	1-1/2"	15	670240546851	84.29
With Cleanout					
ZR383-PC	17	1-1/2"	15	670240545151	93.83
LOW INLET P-TRAPS Less Cleanout					
Available Options: -B, -D					
ZR361L-PC	17	1-1/4"	30	670240582729	48.68
ZR365L-PC	17	1-1/2"	30	670240582736	58.49
REPAIR P-TRAPS AND P-BENDS					
With Beaded Connection – Captive Brass Nut at Swivel. Available Options: -B					
ZR365REB-PC	17	1-1/2" w/Brass Nuts	36	670240575097	66.87
LOS ANGELES CODE TRAPS					
Cast Brass Hex Elbow, Ground Joint, Brass Nuts, 1-1/2" x 1-1/4" Reducing Washer					
ZR505LAW-PC	17	1-1/2"	36	670240550896	66.32
ZR510LAW-PC	17	1-1/2" x 1-1/4"	36	670240551893	66.32
WASHINGTON D.C. TRAPS					
With Captive Swivel Brass Nut with Long Elbow, Ground Joint, Deep Escutcheon					
Less Cleanout					
ZR543JBD-PC	17	1-1/2" x 1-1/4"	30	670240533349	65.61
With Cleanout					
ZR546JBD-PC	17	1-1/2"	30	670240627482	80.71
MILWAUKEE P-TRAPS					
With Captive Swivel Brass Nut and Deep Escutcheon. Available Options: -B, -J					
Less Cleanout					
ZR964-PC	17	1-1/2" x 1-1/4"	14	670240556027	124.86
ZR965-PC	17	1-1/2"	14	670240643628	124.86
With Cleanout					
ZR970J-PC	17	1-1/2" x 1-1/4" Ground Joint	14	670240541962	140.14
ZR971J-PC	17	1-1/2" Ground Joint	14	670240541979	140.14
OPTIONS	DESCRIPTION				ADD
-B	Cast Brass Nuts				4.62
-D	Deep Escutcheon				1.74
-J	Ground Joint (17-Gauge Only)				1.16



When ordering parts, always list product number and description.

For additional product information, please visit www.zurn.com.

SANITARY-DASH® PREMIUM LINE OF BASKET STRAINERS

PRODUCT NO.	DESCRIPTION	MASTER CARTON QTY	UPC	LIST PRICE
STICK TYPE SS BASKET STRAINER				
Stainless basket, neoprene stopper. Value-Line stainless steel, one-piece body.				
ZP100-SS	Less TP	50	670240535381	12.63
ZP100W-SS	With 4" Chrome TP	40	670240535398	15.39
STICK TYPE SS BASKET STRAINER with CHROME-PLATED BRASS BODY				
Stainless basket, neoprene stopper. With the "It Can't Skip" locknut.				
ZSS250-PC	Less TP	40	670240535411	27.68
ZSS250W-PC	With 4" Chrome TP	40	670240536319	30.43
FOUR-PRONGE SS BASKET STRAINER CHROME-PLATED BRASS BODY – stainless basket.				
Stainless basket, neoprene stopper. With the "It Can't Skip" locknut.				
ZTT461-PC	Less TP	40	670240535442	27.68
ZTT461W-PC	With 4" Chrome TP	40	670240535459	30.43
ZTT46-SS	Basket Assembly Only	48	670240542839	6.29
STICK TYPE SS BASKET STRAINER with LONG SHANK				
Stainless basket, neoprene stopper, locking shell, machine cut threads, deep pattern slip nut. Long shank for use on stainless steel, enameled steel and cast iron sinks.				
ZSS3000B-SS	Less TP	32	670240535428	25.97
ZSS3000W-SS	With 4" Chrome TP	32	670240535435	29.01
ZSS30-SS	Stick Type Basket Only	48	670240540866	7.28
OPTIONS	DESCRIPTION	ADD		
-B	Cast Brass Nut	2.31		
-BB	Cast Brass Locknut and Slip Nut	9.19		



ZP100-SS



ZSS250-PC



ZTT461-PC



ZSS3000B-SS

PRODUCT NO.	DESCRIPTION	MASTER CARTON QTY	UPC	LIST PRICE
STAINLESS STEEL BASKET STRAINER				
Stainless steel basket strainer with stainless steel stick type basket, stainless steel stopper, and stainless steel locking shell. Available Options: -B, -BB				
ZSS3500-SS	Less TP	32	670240399747	53.37
ZSS3500W-SS	With 4" Chrome TP	32	670240664197	76.74
BRASS BODY BASKET STRAINER with spin and lock basket closure.				
Available Options: -B				
ZSS300-PC	Less TP	40	670240563810	32.53
ZSS300W-PC	With 4" Chrome TP	40	670240400276	36.39
STAINLESS STEEL MACHINE THREADED TAIL-PIPE BASKET STRAINER				
All stainless steel body with machine-threaded TP. Stainless steel basket with ball locking closure. Fluted neoprene stopper. Deep pattern brass slip nut.				
ZP2000B-SS	Less TP	32	670240535404	37.32
ZP2000WB-SS	With 4" Chrome TP	32	670240400924	40.52
For cast brass locknut, show additional Suffix "B" - \$6.60.				
STICK TYPE BASKET STRAINER with ALL STAINLESS STEEL BODY				
Stainless basket, neoprene stopper. With the "It Can't Skip" locknut.				
Z8741TLBN-SS	Less TP	40	-	36.78
OPTIONS	DESCRIPTION			ADD
-B	Cast Brass Nut			2.31
-BB	Cast Brass Locknut and Slip Nut			9.19



ZSS3500-SS



ZSS300-PC

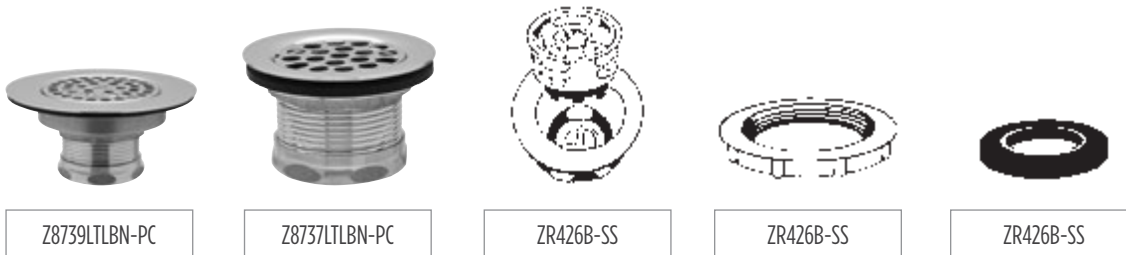


ZP2000B-SS



Z8741TLBN-SS

PRODUCT NO.	DESCRIPTION	MASTER CARTON QTY	UPC	LIST PRICE
FLAT TOP SINK STRAINER 3"-3-1/2" OUTLET WITH REVERSIBLE LOCKNUT				
For use on stainless steel and/or cast iron sinks.				
Z8739LTLBN-PC	Less TPC	24	670240545144	44.27
Z8739LBN-PC	With TPC	24	670240556010	44.27
DUPLEX SINK STRAINER 2"-2-1/2" OUTLET				
Z8737LTLBN-PC	Less TPC	48	670240545366	18.42
Z8737LBN-PC	With TPC	24	670240547179	21.56
JR. 2" BASKET STRAINER				
All stainless steel; crumb-cup style.				
ZR426B-SS	Less TPC	34	670240552890	11.37
ZR426WB-SS	With TPC	24	670240582521	14.61
ACCESSORIES				
Z30-2-RB	1-1/2" Locknut (Zamac)		670240404687	5.08
Z30-2B-RB	1-1/2" Locknut (Cast Brass)		670240572287	5.96
Z54-3-NT	Thick (9/32") Rubber Washer for ZSS250 - ZTT461		670240543652	2.33
Z54-5-NT	Thin (1/16") Rubber Washer		670240552074	2.33
Z54-4-NT	Rubber Washer for Z8737LBN and Z8736LBN		670240541283	1.66
Z54-6-NT	"Sure-Fit" Coupling Nut Washer		670240539792	0.5
Z54-40-NT	Friction Washer (Cardboard) - 2"		670240598317	0.5



Z8739LTLBN-PC

Z8737LTLBN-PC

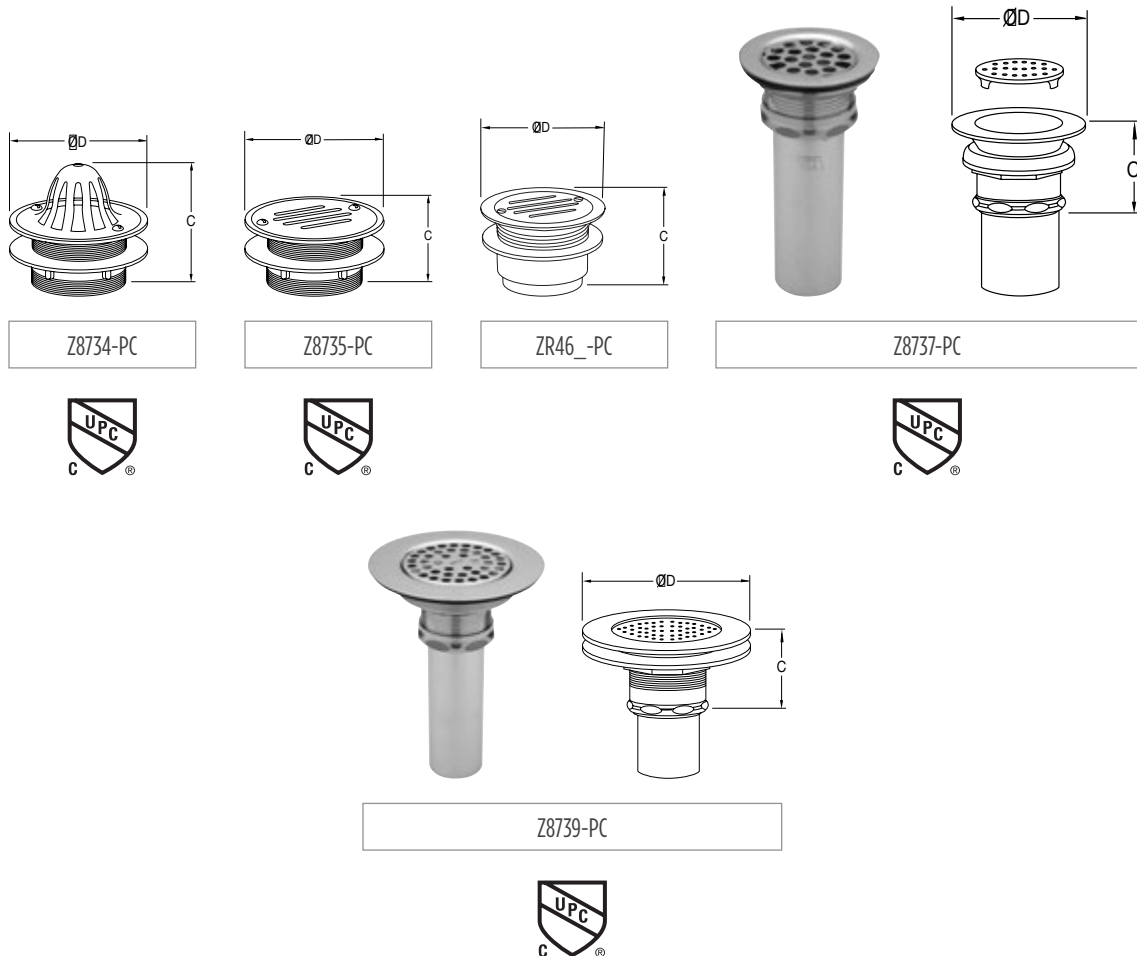
ZR426B-SS

ZR426B-SS

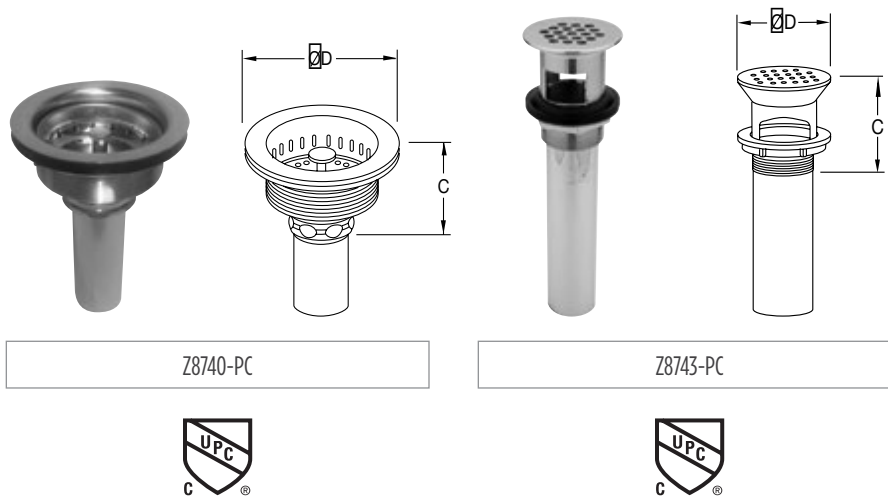
ZR426B-SS

STRAINERS, P.O. PLUGS, AND OFFSETS

PRODUCT NO.	DESCRIPTION	DIMENSIONS IN INCHES		MASTER CARTON QTY	WEIGHT CARTON	UPC	LIST PRICE
		C	D				
BEEHIVE URINAL STRAINERS							
Chrome-plated, cast brass strainer for 2" lead caulk, iron or soil pipe. Available with vandal-resistant screws.							
Z8734-PC	Strainer	3-1/2	4-1/2	16	26	084169617972	71.01
Z8734XT-PC	Replacement Top with Screws	1-1/2	3-3/4	100	15	084169617989	30.71
FLAT GRID URINAL STRAINERS							
Cast brass strainer for 2" lead caulk, iron or soil pipe. Available with vandal-resistant screws.							
Z8735-PC	Strainer	2	4-1/4	24	35	084169617996	61.58
Z8735XT-PC	Replacement Top with Screws	1/8	3-3/4	100	15	084169618009	22.94
FLAT GRID FIPS URINAL STRAINERS							
Cast brass strainer for 2" and 3" female IPS connections.							
ZR461-PC	2" IPS	2-1/4 to 3-1/2	4-1/2	24	44	670240540880	82.15
ZR464-PC	3" IPS	2-1/4 to 3-1/2	4-1/2	24	48	670240540897	95.43
FLAT GRID SINK STRAINERS							
Chrome-plated wrought brass sink strainer with 1-1/2" x 4" 20-gauge tailpiece, and cast brass lock and coupling nuts for sink depth up to 3/4".							
Z8737-PC		1-3/4	2-15/16	24	20	084169618023	28.18
WIDE TOP SINK STRAINERS							
Chrome-plated wrot brass sink strainers with 4" wide top and 1-1/2" x 4" 20-gauge tailpiece and cast brass lock and coupling nuts for sink depth to 3/4".							
Z8739-PC		1-3/4	4-1/2	24	25	084169618054	45.60



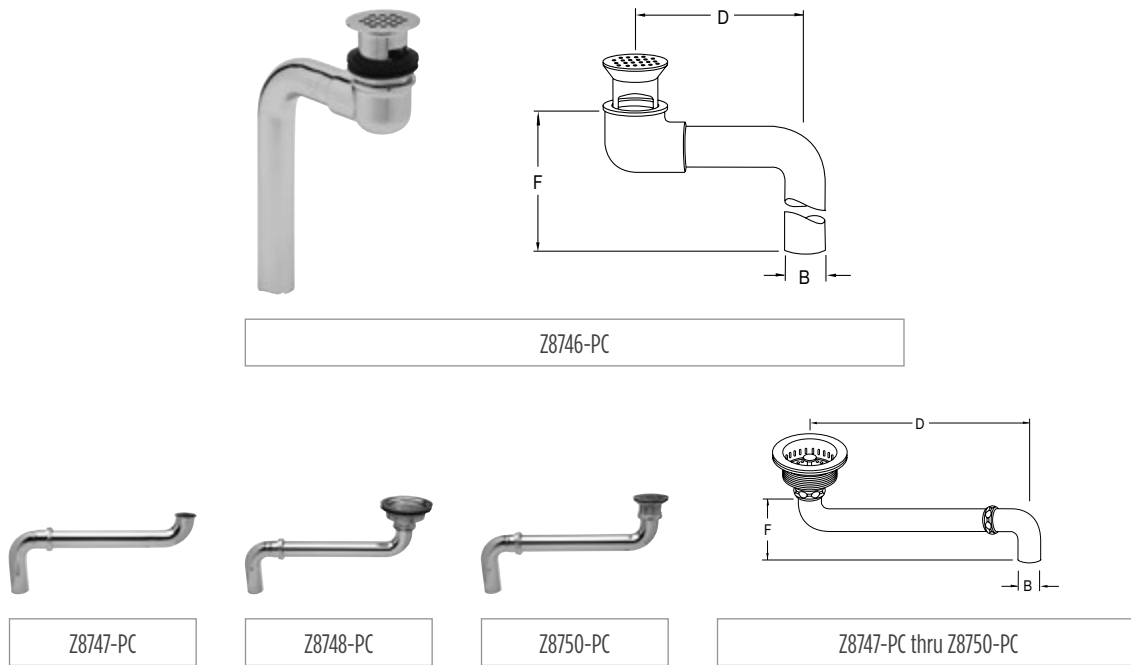
PRODUCT NO.	DESCRIPTION	DIMENSIONS IN INCHES		MASTER CARTON QTY	WEIGHT CARTON	UPC	LIST PRICE
		C	D				
HEAVY-DUTY BASKET STRAINERS							
Chrome-plated, heavy-duty basket strainer with matching basket, 1-1/2" x 4" 20-gauge tailpiece, and cast brass lock and coupling nuts.							
Z8740-PC	Brass	2-1/8	4-1/2	16	28	084169618061	47.53
Z8741-SS	Stainless Steel	2-3/4	4-3/8	16	24	084169618078	37.88
SOLID TOP, OPEN-GRID P.O. PLUGS							
Cast brass solid-top, open-grid, P.O. plug with 5" 17-gauge tailpiece and cast brass locknut for sink depth up to 2-1/4". 6-, 8-, and 12-inch tailpieces available.							
Z8743-PC	1-1/4"	2-9/16	2-1/4	50	50	084169618207	28.40
Z8743-PC-BA	1-1/4"	2-9/16	2-1/4	50	50	670240486454	41.73
Z8743-1-PC	1-1/2"	2-9/16	2-1/4	30	30	084169618160	40.19
Z8743NOF-PC	1-1/4" No Overflow	2-9/16	2-1/4	30	30	084169668264	33.79
SOLID TOP, OPEN-GRID P.O. PLUGS OPTIONS							
OPTION	DESCRIPTION	ADD					
-6	With 6" Tailpiece	5.04					
-8	With 8" Tailpiece	7.04					
-12	With 12" Tailpiece	11.81					
-BA	TAA Compliant	-					



PRODUCT NO.	DESCRIPTION	DIMENSIONS IN INCHES			MASTER CARTON QTY	WEIGHT CARTON	UPC	LIST PRICE
		B OUTLET	D	F				
OFFSET LAVATORY STRAINERS, ADA COMPLIANT								
Cast brass body with cast brass open grid drain strainer, cast brass elbow, and 1-1/4" 17-gauge tubular brass offset tailpiece for sink depth to 2-1/2".								
Z8746-PC		1-1/4	5-1/8	8-3/4	24	40	084169618290	42.61
Z8746-PC-BA		1-1/4	5-1/8	8-3/4	24	40	670240486461	55.35
Z8746NOF-PC		1-1/4 (No Overflow)	5-1/8	8-3/4	18	30	084169668271	61.64

OPTIONS for OFFSET LAVATORY STRAINERS, ADA COMPLIANT								
OPTION	DESCRIPTION						ADD	
-BA	TAA Compliant						-	

OFFSET SINK STRAINERS, ADA COMPLIANT								
Cast brass body with up to 11" 17-gauge offset for wheelchair use of most 6" or 7" sinks. Fits most 1-1/2" direct connect sink strainers. With brass nuts.								
Z8747-PC	No - Offset Only	1-1/2	12-3/4	6-1/4	10	12	084169618306	104.52
Z8748-PC	Brass - Z8740	1-1/2	12-3/4	6-1/4	10	22	084169618313	137.82
Z8749-SS	Stainless Steel - Z8741	1-1/2	12-3/4	6-1/4	10	22	084169618320	131.03
Z8750-PC	Brass Flat Grid - Z8737	1-1/2	12-3/4	6-1/4	10	22	084169618337	123.38
Z8750A-PC	Brass Flat Grid - Z8739	1-1/2	12-3/4	6-1/4	10	22	670240632424	133.80

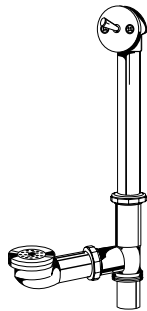


OVERFLOWS

PRODUCT NO.	GAUGE	SIZE/DESCRIPTION	MASTER CARTON QTY	UPC	LIST PRICE
BRASS WASTE AND OVERFLOWS With Chain and Stopper					
Available Options: -B					
ZR465-SC	22	1-3/8" x 14"	10	670240546868	90.9
BRASS TRIP LEVER WASTES Plunger Type					
Available Options: -CA					
Z8771-RB	17	1-1/2" x 14" w/Brass Nuts	10	084169618474	101.16
Z8772-RB	17	1-1/2" x 22" w/Brass Nuts	7	084169618481	140.63
BRASS POP-UP TRIP LEVER					
Available Options: -CA					
Z8773-RB	17	1-1/2" x 14" with Brass Nuts	10	084169618498	138.31
BRASS POP-UP FOOT ACTIVATED					
Z8776-RB	20	1-1/2" x 14"	10	-	111.53
LIFT AND TURN WASTES					
Available Options: -CA					
Z8770-RB	17	1-1/2" x 14"-16" w/Brass Nuts	10	084169618467	102.98
OPTIONS	DESCRIPTION				ADD
-B	(3) Brass Nuts				6.83
-CA	California Code				1.74



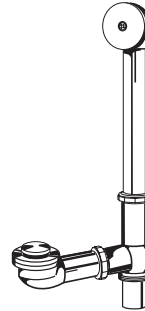
ZR465-SC



Z8771-RB



Z8773-RB



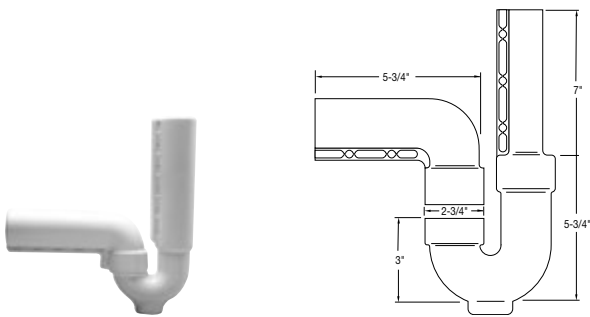
Z8776-RB



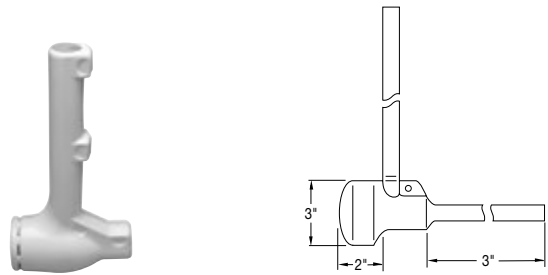
Z8770-RB

TRAP, STOP, AND SUPPLY PROTECTORS

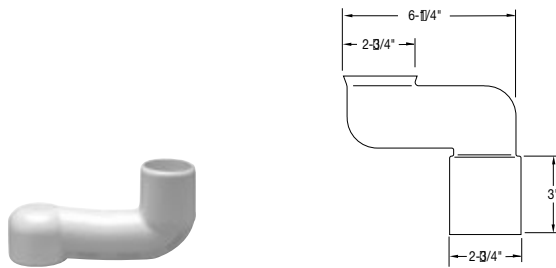
PRODUCT NUMBER	DESCRIPTION	MASTER CARTON QTY	WEIGHT CARTON	UPC	LIST PRICE
INSUL-GUARD™ RetroFit Kits					
Protectors, satin white PVC resin, with a 3/8" nominal wall and vandal-resistant clip feature. Resists thermal transfer and are ADA compliant.					
Z8943-NT	Trap Protector	15	9	084169620194	59.76
Z8944-NT	Supply Protector	15	5	084169620200	43.44
Z8945-NT	Offset Drain Protector	15	4	084169620217	42.95
Z8946-NT	Combination Kit: One Trap and One Supply Protector	15	12	084169673664	93
Z8946-1-NT	Combination Kit: One Trap and Two Supply Protectors	15	15	084169620224	116.6
Z8946-3-NT	Combination Kit: One Trap Protector, Two Supply Protectors, and One Offset Drain Protector	15	15	084169620248	147.35
PRE-WRAPPED CAST BODY P-TRAPS WITH TUBULAR WALL BEND					
Z8995-1-PC	1-1/4" x 1-1/4" P-Trap Assembly	6	30	670240633322	189.86
Z8996-1-PC	1-1/4" x 1-1/2", 1-1/2" x 1-1/2" P-Trap Assembly	6	36	670240633346	196.37
PRE-WRAPPED CAST BODY P-TRAPS WITH LAVATORY OFFSET ASSEMBLY					
Z8995-3-PC	1-1/4" x 1-1/4" P-Trap with Lavatory Offset Assembly	6	42	670240633339	282.19
Z8996-3-PC	1-1/4" x 1-1/2", 1-1/2" x 1-1/2" P-Trap with Lavatory Offset Assembly	6	42	670240633353	288.15



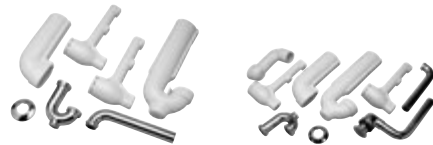
Z8943-NT



Z8944-NT



Z8945-NT



Z8995-1-PC

Z8995-3-PC

FIXTURES

FLUSH VALVE TOILETS

1.1 GPF OR GREATER, ELONGATED, WALL HUNG FLUSH VALVE TOILET	129
1.28 GPF OR GREATER, CONCEALED, ELONGATED, WALL HUNG FLUSH VALVE TOILET	129
1.6 GPF, BACK OUTLET, FLOOR MOUNTED FLUSH VALVE TOILET	129
1.6 GPF, ADA HEIGHT, BACK OUTLET, FLOOR MOUNTED FLUSH VALVE TOILET	129
1.28 GPF OR GREATER, BACK OUTLET, FLOOR MOUNTED FLUSH VALVE TOILET	129
1.28 GPF OR GREATER, ADA HEIGHT, BACK OUTLET, FLOOR MOUNTED FLUSH VALVE TOILET	129
1.1 GPF OR GREATER, ELONGATED, FLOOR MOUNTED FLUSH VALVE TOILET	130
1.28 GPF OR GREATER, 14" HEIGHT, ELONGATED, FLOOR MOUNTED FLUSH VALVE TOILET	130
1.1 GPF OR GREATER, ADA HEIGHT, ELONGATED, FLOOR MOUNTED FLUSH VALVE TOILET	130
CHILDREN'S ROUND FLOOR MOUNTED FLUSH VALVE TOILET	130
1.6 GPF, HEAVY-DUTY BARIATRIC, ANTIMICROBIAL POWDER COATED	130
1.6 GPF, EXTRA-HEAVY-DUTY BARIATRIC, ANTIMICROBIAL POWDER COATED	130

TWO-PIECE TOILETS

1.28 GPF, ELONGATED, HIGH EFFICIENCY SIPHON JET TOILET	131
1.6 GPF, ELONGATED, HIGH PERFORMANCE, SIPHON JET TOILET	131
1.6 GPF, ELONGATED, SIPHON JET TWO-PIECE TOILET	131
1.6 GPF, ROUND, SIPHON JET TWO-PIECE TOILET	131
1.6 GPF, ADA HEIGHT, ELONGATED, SIPHON JET TWO-PIECE TOILET	131

TWO PIECE, PRESSURE ASSIST TOILET

1.0 GPF, HIGH EFFICENY, ELONGATED PRESSURE ASSIST TOILET	132
1.6 GPF, ELONGATED PRESSURE ASSIST TOILET	132
DUAL FLUSH 1.6/1.0 GPF, HIGH EFFICENY, ELONGATED PRESSURE ASSIST TOILET	132
PRESSURE ASSIST TOILET OPTION ADDERS	132
PRESSURE ASSIST REPLACEMENT TANK KIT	132

URINALS

0.125 GPF, ULTRA LOW CONSUMPTION URINAL	133
1.0 GPF, SIPHON JET URINAL	133
0.125 GPF TO 1.0 GPF, OMNI-FLO URINAL	133
WATER FREE URINAL	133

WALL HUNG LAVATORIES

19"X17" WALL HUNG LAVATORIES	134
20" X18" WALL HUNG LAVATORIES	134
23" X 20-1/4" WHEELCHAIR LAVATORY	134

COUNTERTOP AND UNDERMOUNT LAVATORIES

20" X 17" SELF- RIMMING COUNTERTOP LAVATORIES	135
19" ROUND SELF- RIMMING COUNTERTOP LAVATORIES	135
19" X 16" UNDERMOUNT LAVATORIES	135

CAST IRON LAVATORIES

20" X 17" SELF-RIMMING ENAMELED CAST IRON LAVATORY	135
19" ROUND SELF-RIMMING ENAMELED CAST IRON LAVATORY	135
19"X 17" ENAMELED CAST IRON WALL HUNG LAVATORY	135
20" X 18" ENAMELED CAST IRON WALL HUNG LAVATORY	135

HOSPITAL AND INSTITUTIONAL FIXTURES

WALL MOUNT, BLOWOUT SERVICE SINK	136
FLOOR MOUNTED, SIPHON JET SERVICE SINK	136
28" X 22" SURGEON SINK	136

SPECIALTY FIXTURES

CUSTODIAL FLOOR SINK	136
SERVICE SINK	136
CAST IRON TRAP STANDARD FOR SERVICE SINKS	136

TOILET SEATS

TOILET SEATS	137
--------------	-----

MISCELLANEOUS PARTS

TOILETS	138
URINALS	138
LAVATORIES	138
OTHER	139

FLUSH VALVE TOILETS

PRODUCT NO.	DESCRIPTION	WEIGHT (LBS.)	UPC	LIST PRICE
1.1 gpf or Greater, Elongated, Wall Hung Flush Valve Toilet				
Z5615-BWL	1-1/2" Top Spud. Vitreous china, 1.1 gpf [4.2 Lpf] or greater, high efficiency wall hung toilet with siphon jet flush action and elongated front rim. Seat not included.	40	670240405783	161.71
Z5615-BWL-AM	1-1/2" Top Spud. Vitreous china, 1.1 gpf [4.2 Lpf] or greater, high efficiency wall hung toilet with siphon jet flushing action, elongated front rim and SilverShield antimicrobial glaze. Seat not included.	40	670240793088	173.04
Z5616-BWL	1-1/2" Top Spud and Bedpan Lugs. Vitreous china, 1.28 gpf [4.8 Lpf] or greater, high efficiency wall hung toilet with siphon jet flush action and elongated front rim with integral bedpan lugs, and SilverShield antimicrobial glaze. Seat not included.	40	670240421851	182.31
1.28 gpf or Greater, Concealed, Elongated, Wall Hung Flush Valve Toilet				
Z5617-BWL	1-1/2" Back Spud and Bedpan Lugs. Vitreous china, 1.28 gpf [4.8 Lpf] or greater, high efficiency wall hung toilet with siphon jet flush action and elongated front rim with bedpan lugs to accommodate a bedpan, and SilverShield antimicrobial glaze. Seat not included.	50	670240407329	236.29
1.6 gpf, Back Outlet, Floor Mounted Flush Valve Toilet				
Z5630	1-1/2" Top Spud. Vitreous china, elongated front rim, 1.6 gpf [6 Lpf] low consumption, floor mounted, back outlet flush valve toilet.	55	670240609501	369.26
Z5631	1-1/2" Top Spud and Bedpan Lugs. Vitreous china, 1.6 gpf [6 Lpf] low consumption, floor mounted, back outlet flush valve toilet, top spud and elongated front rim with bedpan lugs to accommodate a bedpan.	55	670240659483	369.26
1.6 gpf, ADA Height, Back Outlet, Floor Mounted Flush Valve Toilet				
Ⓢ Z5640	1-1/2" Top Spud. Vitreous china, 1.6 gpf [6 Lpf] low consumption, elongated, siphon-action, floor mounted, flush valve toilet.	57	670240609518	499.55
Ⓢ Z5641	1-1/2" Top Spud and Bedpan Lugs. Vitreous china, 1.6 gpf [6 Lpf] low consumption, siphon jet action, ADA height floor mounted, back outlet flush valve toilet, elongated front rim with bedpan lugs to accommodate a bedpan.	57	670240662025	525.30
1.28 gpf or Greater, Back Outlet, Floor Mounted Flush Valve Toilet				
Z5635-BWL	1-1/2" Top Spud. Vitreous China, 1.28 gpf [4.8 Lpf] or greater, high efficiency floor mounted, back outlet toilet with siphon jet flushing action and elongated front rim, and SilverShield antimicrobial glaze. Seat not included.	55	670240796980	369.26
Z5637-BWL	1-1/2" Back Spud. Vitreous China, 1.28 gpf [4.8 Lpf] or greater, high efficiency floor mounted, back outlet toilet with siphon jet flushing action and elongated front rim, and SilverShield antimicrobial glaze. Seat not included.	55	670240796997	397.07
1.28 gpf or Greater, ADA Height, Back Outlet, Floor Mounted Flush Valve Toilet				
Ⓢ Z5645-BWL	1-1/2" Top Spud. Vitreous China, 1.28 gpf [4.8 Lpf] or greater, high efficiency floor mounted, back outlet toilet with siphon jet flushing action and elongated front rim, and SilverShield antimicrobial glaze. Seat not included. ADA compliant.	57	670240693296	499.55
Ⓢ Z5646-BWL	1-1/2" Top Spud and Bedpan Lugs. Vitreous China, 1.28 gpf [4.8 Lpf] or greater, high efficiency floor mounted, back outlet toilet with siphon jet flushing action and elongated front rim with bedpan lugs to accommodate a bedpan, and SilverShield antimicrobial glaze. Seat not included. ADA compliant.	57	670240693326	525.30
Ⓢ Z5647-BWL	1-1/2" Back Spud. Vitreous China, 1.28 gpf [4.8 Lpf] or greater, high efficiency floor mounted, back outlet toilet with siphon jet flushing action and elongated front rim, and SilverShield antimicrobial glaze. Seat not included. ADA compliant.	57	670240693333	525.30



Z5615-BWL



Z5617-BWL



Z5630 and Z5640



Z5635-BWL



Z5645-BWL

PRODUCT NUMBER	DESCRIPTION	WEIGHT (LBS.)	UPC	LIST PRICE
1.1 gpf or Greater, Elongated, Floor Mounted Flush Valve Toilet				
Z5655-BWL1	1-1/2" Top Spud. Vitreous china, 1.1 gpf [4.2 Lpf] or greater low consumption, floor mounted toilet with siphon jet flush action and elongated front rim, and two bolt caps. Seat not included.	51	889934075069	162.74
Z5655-BWL-BA-AM	1-1/2" Top Spud. Vitreous China, 1.28 gpf [4.8 Lpf] or greater, high efficiency floor mounted toilet with siphon jet flushing action and elongated front rim, and SilverShield antimicrobial glaze. Seat not included.	51	670240813922	192.89
Z5655.395.00.00.00	EcoVantage® Paired Performance System - Combines the Z5655-BWL1 with a 1.1 gpf ZTR battery flush valve, this system has been tested to ensure the highest level of performance for commercial applications. Seat not included		-	853.28
Z5655.396.00.00.00	EcoVantage® Paired Performance System - Combines the Z5655-BWL1 with a 1.1 gpf ZTR long-life battery flush valve, this system has been tested to ensure the highest level of performance for commercial applications. Seat not included.		-	907.57
Z5656-BWL-AM	1-1/2" Top Spud and Bedpan Lugs. Vitreous china, 1.28 gpf [4.8 Lpf] or greater, high efficiency floor mounted toilet with siphon jet flush action, elongated front rim designed to accommodate a bedpan, and two bolt caps, and SilverShield antimicrobial glaze. Seat not included.	51	670240810280	174.07
Z5657-BWL-AM	1-1/2" Back Spud. Vitreous china, 1.28 gpf [4.8 Lpf] low consumption, floor mounted toilet with siphon jet flush action and elongated front rim, and two bolt caps, and SilverShield antimicrobial glaze. Seat not included.	51	670240813939	290.46
1.28 gpf or Greater, 14" Height, Elongated, Floor Mounted Flush Valve Toilet				
Z5654-BWL-BA-AM	Vitreous China, 1.28 gpf [4.8 Lpf] or greater, high efficiency floor mounted, youth height toilet with siphon jet flushing action and elongated front rim with 1-1/2" top spud and SilverShield antimicrobial glaze. Seat not included.	51	889934074819	224.42
1.1 gpf or Greater, ADA Height, Elongated, Floor Mounted Flush Valve Toilet				
Ⓢ Z5665-BWL1	1-1/2" Top Spud. Vitreous china, 1.1 gpf [4.2 Lpf] or greater high efficiency floor mounted bottom outlet toilet with siphon jet flushing action and elongated front rim. Seat not included. ADA compliant.	57	889934075076	200.85
Ⓢ Z5665-BWL-BA-AM	1-1/2" Top Spud. Vitreous China, 1.28 gpf [4.8 Lpf] or, greater high efficiency floor mounted toilet with siphon jet flushing action and elongated front rim, SilverShield antimicrobial glaze. Seat not included.	57	670240813946	213.73
Ⓢ Z5665.395.00.00.00	EcoVantage® Paired Performance System - Combines the Z5665-BWL1 with a 1.1 gpf ZTR battery flush valve, this system has been tested to ensure the highest level of performance for commercial applications. Seat not included		-	891.39
Ⓢ Z5665.396.00.00.00	EcoVantage® Paired Performance System - Combines the Z5665-BWL1 with a 1.1 gpf ZTR long-life battery flush valve, this system has been tested to ensure the highest level of performance for commercial applications. Seat not included.		-	945.68
Ⓢ Z5666-BWL-AM	1-1/2" Top Spud and Bedpan Lugs. Vitreous china, 1.28 gpf [4.8 Lpf] or greater high efficiency floor mounted bottom outlet toilet with siphon jet flushing action and elongated front rim with integral bedpan lugs, and SilverShield antimicrobial glaze. Seat not included. ADA compliant.	57	670240813908	224.42
Ⓢ Z5667-BWL-AM	1-1/2" Back Spud. Vitreous china, 1.28 gpf [4.8 Lpf] low consumption, floor mounted toilet with siphon jet flush action and elongated front rim, and SilverShield antimicrobial glaze. Seat not included. ADA compliant.	57	670240810242	290.46
Children's Round Floor Mounted Flush Valve Toilet				
Ⓢ Z5675-BWL	1-1/2" Top Spud. Vitreous china, low consumption, round front rim, floor mounted toilet, and two bolt caps. Seat not included. ADA compliant.	32	670240254398	244.63
1.6 gpf, Heavy-Duty Bariatric, Antimicrobial Powder Coated				
Z5681	1-1/2" Top Spud. Heavy-duty, stainless steel, antimicrobial powder-coated wall mounted 1.6 gpf [6 Lpf] low consumption siphon jet toilet with custom elongated seat.	50	670240264007	5,520.80
Z5683	1-1/2" Back Spud. Heavy-duty, stainless steel, antimicrobial powder-coated wall mounted 1.6 gpf [6 Lpf] low consumption siphon jet toilet with custom elongated seat.	65	670240264168	6,169.70
1.6 gpf, Extra-Heavy-Duty Bariatric, Antimicrobial Powder Coated				
Z5691	1-1/2" Top Spud. Antimicrobial powder-coated stainless steel, bariatric extra-heavy-duty wall mounted 1.6 gpf [6 Lpf] low consumption siphon jet toilet with comfort-sized seat.	65	670240264182	6,495.96
Z5693	1-1/2" Back Spud. Antimicrobial powder-coated stainless steel, bariatric extra-heavy-duty wall mounted 1.6 gpf [6 Lpf] low consumption siphon jet toilet with comfort-sized seat.	65	670240264205	7,000.91



For additional product information, please visit www.zurn.com.

When ordering parts, always list product number and description.

TWO-PIECE TOILETS

PRODUCT NO.	DESCRIPTION	WEIGHT (LBS.)	UPC	LIST PRICE
1.28 gpf, Elongated, High Efficiency Siphon Jet Toilet				
Z5535-K	Vitreous china, high efficiency, low consumption, high performance siphon-jet toilet with 3" flush valve, elongated front rim, and 12" standard rough-in, with 1000gram MaP rating.	89	670240007055	329.33
Z5545-K	Vitreous china, high efficiency, low consumption, high performance siphon-jet toilet with 3" flush valve, round front rim, and 12" standard rough-in, with 1000gram MaP rating.	88	889934070972	315.27
Ⓢ Z5555-K	Vitreous china, high efficiency, low consumption, high performance siphon-jet toilet with 3" flush valve, ADA/comfort height, elongated front rim, and 12" standard rough-in, with 1000gram MaP rating.	92	670240015630	364.04
1.6 gpf, Elongated, High Performance, Siphon Jet Toilet				
Ⓢ Z5551-K	Vitreous china, two-piece, 1.6 gpf [6 Lpf] low consumption, high performance siphon jet toilet with 3" flush valve, elongated front rim, 16-1/8" ADA height rim, and 12" standard rough-in, with 1000gram MaP rating.	92	670240017856	389.47
Z5552-K	Vitreous china, two-piece, 1.6 gpf [6 Lpf] low consumption, high performance siphon jet toilet with 3" flush valve, elongated front rim, and 12" standard rough-in, with 1000gram MaP rating.	89	670240017948	356.81
Z5553-K	Vitreous china, two-piece, 1.6 gpf [6 Lpf] low consumption, high performance siphon jet toilet with 3" flush valve, round front rim, and 12" standard rough-in, with 1000gram MaP rating.	88	670240017986	338.47
1.6 pgf, Elongated, Siphon Jet Two-Piece Toilet				
Z5530-K	Vitreous china, low consumption, elongated, siphon-action, floor mounted toilet with 12" rough-in.	83	889934001167	220.10
Z5530-K-RH	Vitreous china, low consumption, elongated, siphon- action, floor mounted toilet with right-hand lever and 12" rough-in.	83	-	233.61
Z5530-K-VL	Vitreous china, low consumption, elongated, siphon-action, floor mounted toilet with vandal-proof lid.	83	-	253.89
1.6 pgf, Round, Siphon Jet Two-Piece Toilet				
Z5540-K	Vitreous china, low consumption, round, siphon-action, floor mounted toilet with 12" rough-in.	78	889934001174	193.33
Z5540-K-RH	Vitreous china, low consumption, round, siphon-action, floor mounted toilet with right-hand lever and 12" rough-in.	78	-	206.84
Z5540-K-VL	Vitreous china, low consumption, round, siphon-action, floor mounted toilet with vandal-proof lid.	78	-	227.12
1.6 gpf, ADA Height, Elongated, Siphon Jet Two-Piece Toilet				
Ⓢ Z5550-K	Vitreous china, low consumption, elongated, siphon-action, floor mounted toilet with 12" rough-in. ADA compliant.	87	889934091564	267.68
Ⓢ Z5550-K-RH	Vitreous china, low consumption, elongated, siphon-action, floor mounted toilet with right-hand lever and 12" rough-in. ADA compliant.	87	-	281.19
Ⓢ Z5550-K-VL	Vitreous china, low consumption, elongated, siphon-action, floor mounted toilet with vandal-proof lid. ADA compliant.	87	-	301.48



Z5535-K



Z5545-K



Z5555-K



Z5551-K



Z5552-K



Z5553-K



Z5530



Z5540



Z5550

FLUSH VALVES

FAUCETS

TEMP-GARD™

TUBULAR BRASS

FIXTURES

AQUAPARTS™ REPAIR PARTS AND ASSEMBLIES

TWO PIECE, PRESSURE ASSIST TOILET

PRODUCT NO.	DESCRIPTION	WEIGHT (LBS.)	UPC	LIST PRICE
1.0 gpf, High Efficiency, Elongated Pressure Assist Toilet				
Ⓢ Z5561	Vitreous china, high efficiency 1.0 gpf [4 Lpf], pressure assisted two-piece toilet, siphon jet bowl, elongated ADA height rim, and 12" rough-in.	98	670240650909	554.28
Z5571	Vitreous china, high efficiency 1.0 gpf [4 Lpf] pressure assisted two-piece toilet, siphon jet bowl, elongated rim, and 12" rough-in.	92	670240650923	539.14
Z5576	Vitreous china, high performance 1.0 gpf [4 Lpf] pressure assisted, round front, two-piece toilet with 12" rough-in.	95	670240409132	478.07
1.6 gpf, Elongated Pressure Assist Toilet				
Ⓢ Z5560	Vitreous china, two-piece toilet with 1.6 gpf [6 Lpf] pressure assisted tank, siphon jet bowl, elongated ADA height rim, and 12" rough-in.	98	670240606340	554.28
Z5570	Vitreous china, two-piece toilet with 1.6 gpf [6 Lpf] pressure assisted tank, siphon jet bowl, elongated rim, and 12" rough-in.	92	670240606357	539.14
Z5575	Vitreous china, high performance 1.6 gpf [6 Lpf] pressure assisted, round front, two-piece toilet with 12" rough-in.	95	670240403307	478.07
Dual Flush 1.6/1.0 gpf, High Efficiency, Elongated Pressure Assist Toilet				
Ⓢ Z5562	Vitreous china, high efficiency dual flush 1.6 [6 Lpf]/ 1.0 gpf [4 Lpf], pressure assisted two-piece toilet, siphon jet bowl, elongated ADA height rim, and 12" rough-in.	98	670240650916	574.28
Z5572	Vitreous china, high efficiency dual flush 1.6 gpf [6 Lpf]/1.0 gpf [4 Lpf] pressure assisted two-piece toilet with siphon jet bowl, elongated rim, and 12" rough-in.	92	670240650930	559.15
Z5577	Vitreous china, high efficiency dual flush 1.6 gpf [6 Lpf]/ 1.0 gpf [4 Lpf] pressure assisted, round front, two-piece toilet with 12" rough-in.	95	670240409125	498.08
Pressure Assist Toilet Option Adders				
-RH	Right Hand		-	13.53
-VL	Vandal Lock		-	33.80
Pressure Assist Replacement Tank Kit				
Z8106	Pressure Assist Replacement Tank Kit			276.92



Z5561 - Z5576



Z5560 - Z5575



Z5562 - Z5577

URINALS

PRODUCT NO.	DESCRIPTION	WEIGHT (LBS.)	UPC	LIST PRICE
0.125 gpf, Ultra Low Consumption Urinal				
Z5708-U	"The Nano Pint" - Washout .0125 gpf urinal fixture designed to retrofit 4 bolt pattern urinals with 3/4" top spud.	28	670240253032	276.04
Z5738-U	"The Small Pint" - Washout .0125 gpf urinal fixture with 3/4" top spud. Dimensions 22-1/4" x 14-1/2".	39	670240401631	289.43
Z5758-U	"The Retrofit Pint" - Washout .0125 gpf urinal fixture with 3/4" top spud. Dimensions 29" x 18-1/2".	72	670240396814	348.66
Z5759-U	"The Retrofit Pint" - Washout .0125 gpf urinal fixture with 3/4" back spud. Dimensions 29" x 18-1/2".	72	670240398115	362.56
1.0 gpf, Siphon Jet Urinal				
Z5730	Top Spud - Vitreous china, wall hung siphon jet urinal provided with 3/4" top spud and wall hanger.	34	670240605923	194.67
0.125 gpf to 1.0 gpf, Omni-Flo Urinal				
Z5755-U	3/4" Top Spud. Vitreous china, low consumption, wall hung urinal with universal mounting bracket.	65	670240836839	307.97
Z5765-U	3/4" Back Spud. Vitreous china, low consumption, wall hung urinal with universal mounting bracket.	65	670240836846	307.97
Water Free Urinal				
Z5795	Vitreous china, wall hung waterless urinal with integral trap and drain line connection. Urinal is furnished with concealed wall hanger brackets, telescoping flanged PVC drain line connection, premeasured green sealant bottles, and drain line gasket. Zurn green sealant maintains a sanitary, environmentally friendly, and odor-free installation. No special tools are required to maintain the trap seal. Dimensions 27" x 19".	66	670240646896	568.34



Z5708-U



Z5738-U



Z5758-U



Z5759-U



Z5730



Z5755-U



Z5765-U



Z5795

WALL HUNG LAVATORIES

PRODUCT NO.	DESCRIPTION	WEIGHT (LBS.)	UPC	LIST PRICE
19" x 17" Wall Hung Lavatories				
Z5351	19" x 17" vitreous china wall hung lavatory with single faucet hole. Provided with hanger plate.	28	670240605824	96.82
Z5354	19" x 17" vitreous china wall hung lavatory with 4" center faucet holes. Provided with hanger plate.	28	670240605831	96.82
Z5358	19" x 17" vitreous china wall hung lavatory with 8" center faucet holes. Provided with hanger plate.	28	670240605848	96.82
20" x 18" Wall Hung Lavatories				
Z5314	20" x 18" vitreous china wall hung lavatory with back overflow and 4" center faucet holes. For exposed or concealed arm carrier systems.	35	670240606036	213.21
Z5318	20" x 18" vitreous china wall hung lavatory with back overflow and 8" center faucet holes. For exposed or concealed arm carrier systems.	35	670240606043	213.21
Z5341	20" x 18" vitreous china wall hung lavatory with single faucet hole. Provided with hanger plate and holes for concealed arms.	42	670240605794	113.82
Z5344	20" x 18" vitreous china wall hung lavatory with 4" center faucet holes. Provided with hanger plate and holes for concealed arms.	42	670240605800	113.82
Z5348	20" x 18" vitreous china wall hung lavatory with 8" center faucet holes. Provided with hanger plate and holes for concealed arms.	42	670240605817	113.82
Z5341-PED	20" x 18" vitreous china wall hung lavatory with single faucet hole. Provided with hanger plate and holes for concealed arms with vitreous china half pedestal shroud to conceal trap and supply connections.	49	670240389601	293.55
Z5344-PED	20" x 18" vitreous china wall hung lavatory with 4" center faucet holes. Provided with hanger plate and holes for concealed arms with vitreous china half pedestal shroud to conceal trap and supply connections.	49	670240389618	293.55
Z5361	20" x 18" vitreous china wall hung lavatory with single faucet hole. Provided with hanger plate and holes for concealed arm carrier systems.	42	670240641396	113.82
Z5364	20" x 18" vitreous china wall hung lavatory with 4" center faucet holes. Provided with hanger plate and holes for concealed arm carrier systems.	42	670240641402	113.82
Z5368	20" x 18" vitreous china wall hung lavatory with 8" center faucet holes. Provided with hanger plate and holes for concealed arm carrier systems.	42	670240641419	113.82
Z5361-PED	20" x 18" vitreous china wall hung lavatory with single faucet hole. Provided with hanger plate and holes for concealed arm carrier systems with vitreous china half pedestal shroud to conceal trap and supply connections.	49	670240362598	293.55
Z5364-PED	20" x 18" vitreous china wall hung lavatory with 4" center faucet holes. Provided with hanger plate and holes for concealed arm carrier systems with vitreous china half pedestal shroud to conceal trap and supply connections.	49	670240389632	293.55
23" x 20-1/4" Wheelchair Lavatory				
Ⓢ Z5321	23" x 20-1/4" with single faucet hole. Vitreous china, wall hung lavatory provided with holes for concealed arm carrier systems.	34	670240644588	287.37
Ⓢ Z5324	23" x 20-1/4" with 4" center faucet holes. Vitreous china, wall hung lavatory provided with holes for concealed arm carrier systems.	34	670240644595	287.37
Ⓢ Z5328	23" x 20-1/4" with 8" center faucet holes. Vitreous china, wall hung lavatory provided with holes for concealed arm carrier systems.	34	670240644601	287.37
Ⓢ Z5329	23" x 20-1/4" with 12" center faucet holes. Vitreous china, wall hung lavatory provided with holes for concealed arm carrier systems.	34	670240644618	287.37
Ⓢ Z5321-PED	23" x 20-1/4" with single faucet hole. Vitreous china, wall hung lavatory provided with holes for concealed arm carrier systems with vitreous china half pedestal shroud to conceal trap and supply connections.	41	670240389571	467.11
Ⓢ Z5324-PED	23" x 20-1/4" with 4" center faucet holes. Vitreous china, wall hung lavatory provided holes for concealed arm carrier systems with vitreous china half pedestal shroud to conceal trap and supply connections.	41	670240389588	467.11



COUNTERTOP AND UNDERMOUNT LAVATORIES

PRODUCT NO.	DESCRIPTION	WEIGHT (LBS.)	UPC	LIST PRICE
20" x 17" Self-Rimming Countertop Lavatories				
Z5111	20" x 17" vitreous china, self-rimming, countertop lavatory with single faucet hole.	22	670240605954	93.22
Z5114	20" x 17" vitreous china, self-rimming, countertop lavatory with 4" center faucet holes.	22	670240605961	93.22
Z5118	20" x 17" vitreous china, self-rimming, countertop lavatory with 8" center faucet holes.	22	670240605978	93.22
19" Round Self-Rimming Countertop Lavatories				
Z5121	19" round vitreous china, self-rimming countertop lavatory with single faucet hole.	22	670240605985	101.97
Z5124	19" round vitreous china, self-rimming countertop lavatory with 4" center faucet holes.	22	670240605992	101.97
Z5128	19" round vitreous china, self-rimming countertop lavatory with 8" center faucet holes.	22	670240606005	101.97
19" x 16" Undermount Lavatories				
Z5220	19" x 16" vitreous china undermount lavatory with front overflow.	22	670240606012	133.90



Z511_



Z512_



Z5220

CAST IRON LAVATORIES

PRODUCT NO.	DESCRIPTION	WEIGHT (LBS.)	UPC	LIST PRICE
20" x 17" Self-Rimming Enameled Cast Iron Lavatory				
Z5811	20" x 17" enameled cast iron self-rimming lavatory with single faucet hole.	38	670240626003	240.31
Z5814	20" x 17" enameled cast iron self-rimming lavatory with 4" center faucet holes.	38	670240606432	240.31
Z5818	20" x 17" enameled cast iron self-rimming lavatory with 8" center faucet holes.	38	670240606449	240.31
19" Round Self-Rimming Enameled Cast Iron Lavatory				
Z5821	19" round enameled cast iron self-rimming lavatory with single faucet hole.	38	670240626010	229.40
Z5824	19" round enameled cast iron self-rimming lavatory with 4" center faucet holes.	38	670240606456	229.40
Z5828	19" round enameled cast iron self-rimming lavatory with 8" center faucet holes.	38	670240606463	229.40
19" x 17" Enameled Cast Iron Wall Hung Lavatory				
Z5831	19" x 17" enameled cast iron wall hung lavatory. Provided with single faucet hole and hanger plate.	61	670240626027	265.28
Z5834	19" x 17" enameled cast iron wall hung lavatory. Provided with 4" center faucet holes and hanger plate.	61	670240626034	265.28
Z5838	19" x 17" enameled cast iron wall hung lavatory. Provided with 8" center faucet holes and hanger plate.	61	670240626041	265.28
20" x 18" Enameled Cast Iron Wall Hung Lavatory				
Z5841	20" x 18" enameled cast iron wall hung lavatory. Provided with single hole center faucet.	60	670240626058	281.41
Z5844	20" x 18" enameled cast iron wall hung lavatory. Provided with 4" center faucet holes.	60	670240606470	281.41
Z5848	20" x 18" enameled cast iron wall hung lavatory. Provided with 8" center faucet holes.	60	670240606487	281.41



Z581_



Z582_



Z583_



Z584_

When ordering parts, always list product number and description.

For additional product information, please visit www.zurn.com.

HOSPITAL AND INSTITUTIONAL FIXTURES

PRODUCT NO.	DESCRIPTION	WEIGHT (LBS.)	UPC	LIST PRICE
Wall Mount, Blowout Service Sink				
Z5410	Vitreous china, wall mounted blowout service sink with integral flushing rim and 1-1/2" top spud, with SilverShield antimicrobial glaze.	60	670240606050	857.80
Floor Mounted, Siphon Jet Service Sink				
Z5420	Vitreous china, floor mounted siphon jet service sink with integral flushing rim and 1-1/2" top spud, with SilverShield antimicrobial glaze.	60	670240606067	857.80
28" x 22" Surgeon Sink				
Z5461-AM	28" x 22" vitreous china surgeon sink. Provided with wall hangers, support brackets, and single faucet hole, with SilverShield antimicrobial glaze.	83	670240810259	1,096.93
Z5468-AM	28" x 22" vitreous china surgeon sink. Provided with wall hangers, support brackets, and 8" center faucet holes, with SilverShield antimicrobial glaze.	83	670240810273	1,096.93



Z5410



Z5420



Z546_-AM

SPECIALTY FIXTURES

PRODUCT NO.	DESCRIPTION	WEIGHT (LBS.)	UPC	LIST PRICE
Custodial Floor Sink				
Z5850	28" x 28" enameled cast iron corner floor sink. Outlet not included.	210	670240607897	985.06
SUFFIXES				
				ADD
-RG	Rim guard. Outlet not included.	-	670240614314	122.01
-D2	2" IPS outlet connection.	-	670240614451	137.60
-D3	3" IPS outlet connection.	-	670240614468	137.60
Service Sink				
Z5880	22" x 18" enameled cast iron service sink with no faucet holes. Provided with hanger plate, U-type rim guard, and 12" backsplash.	115	670240606555	719.83
Z5888	22" x 18" enameled cast iron service sink with 8" center faucet holes. Provided with hanger plate, U-type rim guard, and 12" backsplash.	115	670240606562	719.83
Z5890	24" x 20" enameled cast iron service sink with no faucet holes. Provided with hanger plate, U-type rim guard, and 12" backsplash.	125	670240606579	805.23
Z5898	24" x 20" enameled cast iron service sink with 8" center faucet holes. Provided with hanger plate, U-type rim guard, and 12" backsplash.	125	-	805.23
Cast Iron Trap Standard for Service Sinks				
Z5900-IP2	2" IPS outlet.	38	670240651890	109.81
Z5900-IP3	3" IPS outlet.	38	670240651906	109.81



Z5850



Z588_



Z589_



Z5900-IP_

TOILET SEATS

PRODUCT NO.	DESCRIPTION	UPC	LIST PRICE
Toilet Seats			
Z5955-LC	Open front less cover, heavy duty, zinc plated hinge	670240247093	61.52
Z5955SS-EL	Open front less cover, heavy duty, with stainless steel check hinge	670240610804	33.53
Z5955SS-EL-BK	Open front less cover, heavy duty, with stainless steel check hinge	670240633483	34.18
Z5955SS-EL-STS	Open front less cover, heavy duty, with self sustaining stainless steel check hinge	670240610781	36.56
Z5955SS-EL-STS-BK	Black open front toilet seat, elongated, self sustaining	670240633490	32.29
Z5955SS-AM	Antimicrobial Open front less cover, stainless steel check hinge	670240633414	49.75
Z5955SS-AM-STS	Antimicrobial Open front less cover, stainless steel self-sustaining check hinge	670240622890	48.81
Z5955SS-EL-AMFR-STS	Anitimicrobial / Fire Retardant Open front less cover, stainless steel self-sustaining check hinge	670240356412	70.35
Z5956SS-EL	Open front less cover, extra heavy duty, with stainless steel check hinge	670240610811	54.53
Ⓢ Z5956SS-EL-ADA	Elongated, premium white, open front 2" lift toilet seat for ADA	670240374287	189.05
Z5956SS-EL-STS	Open front less cover, extra heavy duty, with self sustaining steel check hinge	670240610798	56.14
Z5956SS-AM	Elongated, premium white, open front toilet seat, less cover, with stainless steel check hinge and Anti-microbial protection.	670240629356	76.29
Z5956SS-AM-STS	Elongated, premium white, open front toilet seat, less cover, with self-sustaining stainless steel check hinge and Anti-microbial protection.	670240633551	87.07
Z5956SS-EL-BK	Open front less cover, extra heavy duty, with stainless steel check hinge	670240633520	44.61
Z5957SS-EL	Open front with cover extra, heavy duty, commercial, stainless steel hinge	670240610828	61.69
Z5957SS-EL-STS	Elongated, white, open front toilet seat with cover and stainless steel check hinge.	670240633582	105.29
Z5957SS-EL-AMFR	Antimicrobial/Fire Retardant open front with cover, stainless steel hinge.	670240258532	115.84
Z5957SS-EL-BK	(K) Black open front toilet seat w/ cover, elongated	670240633575	65.28
Z5958SS-EL	Closed front with cover, extra heavy duty, commercial, stainless steel hinge	670240610842	61.69
Z5958SS-EL-STS	Closed front with cover, extra heavy duty, with self-sustaining ring with stainless ring with steel check hinge	670240633643	115.73
Z5957SS-RD	Open front with cover extra, heavy duty, commercial stainless steel hinge	670240610835	53.89
Z5958SS-RD	Closed front with cover, extra heavy duty, commercial stainless steel hinge	670240610859	53.89
Z5958SS-RD-STS	Round, white, closed front toilet seat, with cover and self-sustaining check hinge	670240633674	104.23
Z5959SS-JUV	Antimicrobial Baby Bowl, open front less cover, stainless steel hinge	670240616998	74.96



MISCELLANEOUS PARTS

PART NUMBER	DESCRIPTION	UPC	LIST PRICE
Toilets			
Z5530-TNK-K	Z5530 TNK Only - With Lid	670240014589	113.56
Z5530-TNK-LID-K	Z5530 Lid Only	670240357556	51.10
Z5550-HDL	Z5550 Handle Assembly	670240407367	19.31
Z5540-TNK-K	Z5540 TNK Only - With Lid	670240617797	113.56
Z5540-LID	Z5540 Lid Only	-	50.14
Z5550-HDL	Z5540 Handle Assembly	670240407367	19.31
Z5550-TNK-K	Z5550 TNK Only - With Lid	670240617797	113.56
Z5550-BWL-K	Z5550 BWL Only	670240011144	305.47
Z5550-TNK-LID-K	Z5550 Lid Only	670240357556	51.10
Z5530-FL-K	Z5530/Z5540/Z5550 Flush Valve	-	11.15
Z5530-FV-K	Z5530/Z5540/Z5550 Fill Valve	-	9.34
Z5550-HDL	Z5550 Handle Assembly	670240407367	19.31
Z5560-TNK-PA	Z5560 TNK Only - With Lid	670240632721	279.95
Z5560-BWL	Z5560 BWL Only	670240616424	381.56
Z5560-TNK-PA-LID	Z5560 Lid Only	670240377820	51.10
S004	Z5560 Handle Assembly	670240235427	19.31
Z5560-TNK-PA	Z5570 TNK Only - With Lid	670240632721	279.95
Z5570-BWL	Z5570 BWL Only	670240616431	305.47
Z5560-TNK-PA-LID	Z5570 Lid Only	670240377820	51.10
S004	Z5570 Handle Assembly	670240235427	19.31
Z8106	Pressure Assist replacement tank kit 1.6 gpf	670240792609	276.92
Urinals			
P5795-1	Strainer for Waterless Urinal	670240666207	7.79
P5795-2	Bell Trap for Waterless Urinal	670240664357	4.06
P5795-3	Bell Trap O-Ring for Waterless Urinal	670240664364	2.50
P5795-4	Ferrule for Waterless Urinal	084169005632	1.42
P5795-5	Ferrule Nut for Waterless Urinal	670240395541	1.95
P5795-6	Ferrule Nut and Ferrule for Waterless Urinal	670240780316	2.93
P5795-7	Flange Gasket for Waterless Urinal	670240395558	5.03
P5795-8	Flange for Waterless Urinal	670240395565	14.50
P5795-9	Flange and Gasket for Waterless Urinal	670240780323	18.94
P5795-10	Strainer Removal Tool for Waterless Urinal	670240391277	36.24
Z5750-BKT	Z5750 Wall Hanger Bracket	670240638037	13.10
Lavatories			
Z5220-KIT	Z5220 Mounting Hardware Kit	670240637993	7.28
Z5340-BKT	Z5340 Wall Hanger Bracket	670240638006	12.84
Z5350-BKT	Z5350 Wall Hanger Bracket	670240638013	12.84
Z5410/20-FRG	Z5410 Stainless Steel Front Rim Guard	670240614338	87.47
Z5410-20-SRG	Z5410 Stainless Steel Side Rim Guard	-	84.92
Z5410/20-FRG	Z5420 Stainless Steel Front Rim Guard	670240614338	87.47
Z5410/20-SRG	Z5420 Stainless Steel Side Rim Guard	670240614321	87.47
Z5460-BKT	Z5460 Wall Hanger Bracket	670240638112	25.10
Z5460-SB	Z5460 Support Bracket	670240638129	25.10

PART NUMBER	DESCRIPTION	UPC	LIST PRICE
Other			
Z5840-BKT	Z5840 Wall Hanger Bracket	-	25.58
Z5850-RG	Z5850 Coated Rim Guard	670240614314	122.01
Z5850-D2	Z5850 2" IPS Outlet with Strainer	670240614451	137.60
Z5850-D3	Z5850 3" IPS Outlet with Strainer	670240614468	137.60
Z5850-L2	Z5850 2" Iron Pipe/Solder Outlet with Strainer	670240638044	140.28
Z5850-BL2	Z5850 2" Iron Pipe/Solder Outlet with Beehive Strainer	670240638051	140.28
Z5880-BKT	Z5880 Wall Hanger Bracket	670240638099	31.80
Z5890-BKT	Z5890 Wall Hanger Bracket	670240638105	31.80
Z5970-BOLT	Z5970 Closet Flange Brass Bolt Kit	670240610774	6.55
Z5972-COMB	Z5972 Closet Bolt/Wax Ring Kit	670240633186	8.92
Z5972-HDW	Z5972 Tank-to-Bowl Mounting Hardware	670240633247	6.55
Z5972-CAP	Z5972 Toilet Plastic Bolt Cap Kit	670240638068	6.55
Z5973-CF-PVC	Z5973 3" x 4" PVC Closet Flange with Test Cap	670240633254	13.53
Z5973-CF-ABS	Z5973 3" x 4" ABS Closet Flange with Test Cap	670240633261	13.53
Z5973-CF-CI3	Z5973 3" Cast Iron Torque Set Closet Flange	670240633278	25.58
Z5973-CF-CI4	Z5973 4" Cast Iron Torque Set Closet Flange	670240633285	25.58
Z5974-FLO-PVC	Z5974 Flo-Bowl Closet Flange Kit - PVC	670240633292	25.58
Z5974-FLO-ABS	Z5974 Flo-Bowl Closet Flange Kit - ABS	670240633308	25.58
Z5975-FLO-JR	Z5975 Flo-Bowl Jr. - PVC	670240610910	17.91
Z5976-URINAL	Z5976 Urinal Flange Kit - PVC	670240637863	25.58
Z5977-NEO	Z5977 Neo-Seal Gasket Kit for Wall Mounted Bowls	670240628298	25.58
Z5961-NUT-EXT-KIT	Extended Acorn Nut Kit with Washers	-	21.42
Z5798-STR	Z5978 Urinal Strainer	670240801523	57.38
Z5980-SPUD-34	Z5980 3/4" Brass Top Spud Assembly	670240638075	15.36
Z5980-SPUD-112	Z5980 1-1/2" Brass Top Spud Assembly	670240638082	15.36

FLUSH VALVES

FAUCETS

TEMP-GARD®

TUBULAR BRASS

FIXTURES

AQUAPARTS® REPAIR PARTS
AND ASSEMBLIES

ZURN COMMERCIAL FIXTURES CARRIER SELECTION GUIDE

Fixture Product No.	Type	Size	Zurn Recommended Carrier System
Z5311 Z5314 Z5318 Z5341 Z5344 Z5348	Lavatory	20 x 18	Z1224, Z1231, Z1251, Z1253, Z1254, Z1259
Z5844 Z5848	Lavatory	20 x 18	Z1224, Z1231-AL, Z1236-AL, Z1251-AL, Z1253-AL, Z1254-AL, Z1255-AL, Z1256-AL, Z1257-AL, Z1258-AL, Z1259
Z5351 Z5354 Z5358	Lavatory	19 x 17	Z1224, Z1259
Z5834 Z5838	Lavatory	19 x 17	Z1224, Z1231-AL, Z1236-AL, Z1251-AL, Z1253-AL, Z1254-AL, Z1255-AL, Z1256-AL, Z1257-AL, Z1258-AL, Z1259
Z5321 Z5324 Z5328	ADA Lavatory	23 x 20-1/4	Z1231-79, Z1251-79, Z1253-79, Z1254-79
Z5331 Z5334 Z5338	ADA Lavatory	27 x 20-1/4	Z1231-79, Z1251-79, Z1253-79, Z1254-79
Z5360 Z5361 Z5364 Z5368	High Back Lavatory	20 x 18	Z1224, Z1231, Z1251, Z1253, Z1254, Z1259
Z5410	Service Sink	19 x 21-1/2	Z1217-B, Z1218-B
Z5880 Z5888	Service Sink	22 x 18	Z1229
Z5890 Z5898	Service Sink	24 x 20	Z1229
Z5461 Z5468	Surgeon Sink	28 x 22	Z1224-2, Z1259-BP
Z5615	Wall Hung Toilet	25 x 14	Z1201, Z1202, Z1203, Z1204, Z1207, Z1208, Z1209, Z1212, Z1280, Z1282, Z1283, Z1284, Z1285
Z5630	Back Outlet Toilet	15 x 30-1/2	Z1212-F
Z5640	Back Outlet Toilet	14-5/8 x 32	Z1212-F
Z5730	Urinal	13 x 14-1/2	Z1221, Z1222, Z1259
Z5750	Urinal	18-1/2 x 14-1/4	Z1221, Z1222, Z1259 Z5760
Z5795	Waterless Urinal	27 x 19	Z1221, Z1222, Z1259

ZURN COMMERCIAL FIXTURES CROSS REFERENCE GUIDE

FLUSH VALVE TOILETS

Product No.	American Standard		Kohler		Crane		Eljer		Toto	
	Name	No.	Name	No.	Name	No.	Name	No.	Name	No.
1.1 gpf or Greater, Elongated, Wall Hung Flush Valve Toilet										
Z5615-BWL	Afwall	2257.103	Kingston	K-4330	Placidus	3446	Signature	111-2105	-	CT708
Z5615-BWL-AM	Afwall	2257.103	Kingston	K-4330	Placidus	3446	Signature	111-2105	-	CT708
Z5616-BWL-AM	Afwall	2257.194	Kingston	K-4330-L	Placidus	3H722	Signature	111-2113	No Equal	No Equal
1.28 gpf or Greater, Concealed, Elongated, Wall Hung Flush Valve Toilet										
Z5617-BWL	Afwall	2258.125	Kingston	K-4329	Placidus	3449	Signature	111-2110	No Equal	No Equal
1.6 gpf, Back Outlet, Floor Mounted Flush Valve Toilet										
Z5630	Neolo	2529.016	Angsley	K-4386	Carlton	4379	Signature	111-2155	No Equal	No Equal
Z5631	Neolo	2529.016	Angsley	K-4386	Carlton	4379	Signature	111-2155	No Equal	No Equal
Z5640	No Equal	No Equal	No Equal	No Equal	Flormont	3709	Sherwin	111-2875	No Equal	No Equal
1.6 gpf, ADA Height, Back Outlet, Floor Mounted Flush Valve Toilet										
Z5641	No Equal	No Equal	No Equal	No Equal	Flormont	3709H	Sherwin	111-2883	No Equal	No Equal
1.28 gpf or Greater, Back Outlet, Floor Mounted Flush Valve Toilet										
Z5635-BWL	Neolo	2530.016	Angsley	K-4387	Carlton	4380	Signature	111-2156	No Equal	No Equal
Z5637-BWL	No Equal	No Equal	No Equal	No Equal	No Equal	No Equal	Signature	111-2163	No Equal	No Equal
1.28 gpf or Greater, ADA Height, Back Outlet, Floor Mounted Flush Valve Toilet										
Z5645-BWL	No Equal	No Equal	No Equal	No Equal	Flormont	3709	Sherwin	111-2875	No Equal	No Equal
Z5646-BWL	No Equal	No Equal	No Equal	No Equal	Flormont	3709H	Sherwin	111-2883	No Equal	No Equal
Z5647-BWL	No Equal	No Equal	No Equal	No Equal	Flormont	3709H	Sherwin	111-2883	No Equal	No Equal
1.1 gpf or Greater, Elongated, Floor Mounted Flush Valve Toilet										
Z5655-BWL1	Madera	2234.015	Wellcomme	K-4349	Whirlton	3325	Signature	111-2125	-	CT705
Z5655-BWL-BA-AM	Madera	2234.015	Wellcomme	K-4349	Whirlton	3325	Signature	111-2125	-	CT705
Z5656-BWL-AM	Madera	2235.137	Wellcomme	K-4350-L	Whirlton	3H704	Signature	111-2133	No Equal	No Equal
Z5657-BWL-AM	No Equal	No Equal	Wellcomme	K-4350	No Equal	No Equal	Signature	111-2165	No Equal	No Equal
1.28 gpf or Greater, 14" Height, Elongated, Floor Mounted Flush Valve Toilet										
Z5654-BWL-AM	No Equal	No Equal	No Equal	No Equal	No Equal	No Equal	No Equal	No Equal	No Equal	No Equal
1.1 gpf or Greater, ADA Height, Elongated, Floor Mounted Flush Valve Toilet										
Z5665-BWL1	Madera	3043.102	Highcrest Highcliff	K-4302 K-4368	Hymont	3H701	Signature	111-2145	-	CT705L
Z5665-BWL-BA-AM	Madera	3043.102	Highcrest Highcliff	K-4302 K-4368	Hymont	3H701	Signature	111-2145	-	CT705L
Z5666-BWL	Madera	3043.156	Highcrest Highcliff	K-4302-L K-4368-L	Hymont Jr. Creston	3816 4377	Signature	111-2153	No Equal	No Equal
Z5666-BWL-AM	Madera	3043.156	Highcrest Highcliff	K-4302-L K-4368-L	Hymont Jr. Creston	3816 4377	Signature	111-2153	No Equal	No Equal
Z5667-BWL	No Equal	No Equal	Highcliff Highcrest	K-4367 K-4301	No Equal	No Equal	Signature	111-2175	No Equal	No Equal
Z5667-BWL-AM	No Equal	No Equal	Highcliff Highcrest	K-4367 K-4301	No Equal	No Equal	Signature	111-2175	No Equal	No Equal
Children's Round Floor Mounted Flush Valve Toilet										
Z5675-BWL	Devoro	2282.01	Primary	K-4321	Baby	3380	Kindergarten	111-1000	No Equal	No Equal

When ordering parts, always list product number and description.

For additional product information, please visit www.zurn.com.

TWO-PIECE TOILETS

Product No.	American Standard		Kohler		Crane		Eljer		Toto	
	Name	No.	Name	No.	Name	No.	Name	No.	Name	No.
1.28 gpf, Elongated, High Efficiency Siphon Jet Toilet										
Z5535-K	-	211CA	-	-	-	-	-	-	-	-
Z5545-K	-	211BA	-	-	-	-	-	-	-	-
Z5555-K	-	211AA	-	-	-	-	-	-	-	-
1.6 gpf, Elongated, High Performance, Siphon Jet Toilet										
Z5551-K	Champion	2002.012	Cimmarron	K-3496	-	-	Titan	091-0777	Drake	CST744SL
Z5552-K	Champion	2018.212	Cimmarron	K-3499	-	-	Titan	091-0755	Drake	CST744SG
Z5553-K	Champion	2023.212	Cimmarron	K-3497	-	-	Titan	091-0770	Drake	CST743S
1.6 gpf, Elongated, Siphon Jet Two-Piece Toilet										
Z5530	Cadet	2898.012	Wellworth	K-3422	Radcliff II	3852	Patriot	091-2125	Carusoe	CST714
1.6 gpf, Round, Siphon Jet Two-Piece Toilet										
Z5540	Cadet	2798.012	Wellworth	K-3423	Radcliff II	3842	Patriot	091-2120	Carusoe	CST713
1.6 gpf, ADA Height, Elongated, Siphon Jet Two-Piece Toilet										
Z5550	Cadet	2998.012	Highline	K-3427	Hymont	31002	Patriot	091-2175	Carusoe	CST714L
Z5590	-	-	-	-	-	-	-	-	-	-

HIGH PERFORMANCE PRESSURE ASSIST TOILETS

Product No.	American Standard		Kohler		Crane		Eljer		Toto	
	Name	No.	Name	No.	Name	No.	Name	No.	Name	No.
1.0 gpf, High Efficiency, Elongated Pressure Assist Toilet										
Z5561	No Equal	No Equal	Highline	K-3519	No Equal	No Equal	No Equal	No Equal	No Equal	No Equal
Z5571	No Equal	No Equal	Wellworth	K-3531	No Equal	No Equal	No Equal	No Equal	No Equal	No Equal
Z5576	No Equal	No Equal	No Equal	No Equal	-	-	-	-	-	-
1.6 gpf, Elongated Pressure Assist Toilet										
Z5560	Cadet	2377.1	Highline	K-3544	Economizer	3838	Aqua-Saver	091-7045	No Equal	No Equal
Z5570	Cadet	2333.1	Wellworth	K-3458	Economizer	3835	Aqua-Saver	091-7025	No Equal	No Equal
Z5575	Cadet	2366.1	No Equal	No Equal	Economizer	3834	Aqua-Saver	091-7020	No Equal	No Equal
Dual Flush 1.6/1.0 gpf, High Efficiency, Elongated Pressure Assist Toilet										
Z5562	No Equal	No Equal	No Equal	No Equal	No Equal	No Equal	No Equal	No Equal	No Equal	No Equal
Z5572	No Equal	No Equal	No Equal	No Equal	No Equal	No Equal	No Equal	No Equal	No Equal	No Equal
Z5577	No Equal	No Equal	No Equal	No Equal	-	-	-	-	-	-

TOILET SEATS

Product No.	Centoco	Bemis	Beneke	Church	Olonite
Z5955SS-EL	500STSCC	1955-C	523	295C	10CC
Z5955SS-AM	500STSCC	1955-C	523	295C	10CC
Z5956SS-EL	1500STSCC	1655C	527	9400C/9500	10SSC
Z5956SS-AM	1500STSCC	1655C	527	9400C/9500	10SSC
Z5957SS-EL	820STS	1950ST	521HPSS	-	46SSTL
Z5957SS-RD	460STS	950ST	-	-	42SSTL
Z5958SS-EL	800STS	1900ST	520SPSS	-	44SSTL
Z5958SS-RD	440STS	900ST	-	-	40SSTL
Z5959SS-JUV	AM2300STSCC	BB955C	323-5	1580C	126CC

For additional product information, please visit www.zurn.com.

When ordering parts, always list product number and description.

URINALS

Product No.	Americian Standard		Kohler		Crane		Eljer		Toto	
	Name	No.	Name	No.	Name	No.	Name	No.	Name	No.
0.125 gpf, Ultra Low Consumption Urinal										
Z5708-U	Jetbrook	6571.014	K-4917	Steward S	No Equal	No Equal	No Equal	No Equal	-	-
Z5738-U	Allbrook	6541.132	K-4918	Steward	UT105	UT105	No Equal	No Equal	-	-
Z5758-U	Lynbrook	6601.012	K-4972-T	Stanwell	No Equal	No Equal	No Equal	No Equal	-	-
Z5759-U	No Equal	No Equal	No Equal	No Equal	No Equal	No Equal	No Equal	No Equal	-	-
1.0 gpf, Siphon Jet Urinal										
Z5730	Allbrook	6541.132	K-5016-ET	Dexter	7309	Manhattan	161-1150 161-2090	Dover Signature	UT104	-
0.125 gpf to 1.0 gpf, Omni-Flo Urinal										
Z5755-U	Washbrook Flowise	6590.001	K-4904-ET	Bardon	-	-	-	-	-	-
Z5765-U	Washbrook Flowise	6515.001	K-4904-ER-0	Bardon	-	-	-	-	-	-
Water Free Urinal										
Z5795	F-1000	-	-	WES1000	-	2102	-	-	-	-

WALL HUNG LAVATORIES

Product No.	Americian Standard		Kohler		Crane		Eljer		Toto	
	Name	No.	Name	No.	Name	No.	Name	No.	Name	No.
19"x17" Wall Hung Lavatories										
Z5351	No Equal	No Equal	Chesapeake	K-1722	No Equal	No Equal	No Equal	No Equal	No Equal	No Equal
Z5354	Declyn	321.026	Chesapeake	K-1728	No Equal	No Equal	Murray II Blair	051-0244 051-1304	No Equal	No Equal
Z5358	No Equal	No Equal	Chesapeake	K-1724	No Equal	No Equal	No Equal	No Equal	No Equal	No Equal
20" x18" Wall Hung Lavatories										
Z5314	Roxalyn	195.073	Soho	K-2054	Norwich	1165V	Mayburne	051-2244	No Equal	No Equal
Z5318	Roxalyn	194.076	Soho	K-2053	Norwich	1165S	Mayburne	051-2248	No Equal	No Equal
Z5341	Lucerne	356.421	Chesapeake Kingston	K-1721 K-2007	Harwich Clayton	1412H 4642H	Signature	051-2101	Wall Mount	LT307
Z5344	Lucerne Comrade	355.012 124.131	Chesapeake Kingston	K-1729 K-2005	Harwich Clayton	1412V 4642V	Blair Signature	051-1307 051-2104	Wall Mount	LT307.4
Z5348	Lucerne	356.015	Chesapeake Kingston	K-1723 K-2006	Harwich Clayton	1412S 4643S	Blair Signature	051-1308 051-2108	Wall Mount	LT307.8
Z5341-PED	No Equal	No Equal	Pinoir	K-2035-1	Neu-Erica	134H	Signature	051-2102	No Equal	No Equal
Z5344-PED	No Equal	No Equal	Pinoir	K-2035-4	Neu-Erica	134V	Signature	051-2105	No Equal	No Equal
Z5361	No Equal	No Equal	No Equal	No Equal	No Equal	No Equal	Bucknell	052-0195	No Equal	No Equal
Z5364	No Equal	No Equal	No Equal	No Equal	No Equal	No Equal	Bucknell	052-0174	No Equal	No Equal
Z5368	No Equal	No Equal	No Equal	No Equal	No Equal	No Equal	Bucknell	052-0188	No Equal	No Equal
Z5361-PED	No Equal	No Equal	No Equal	No Equal	No Equal	No Equal	No Equal	No Equal	No Equal	No Equal
Z5364-PED	No Equal	No Equal	No Equal	No Equal	No Equal	No Equal	No Equal	No Equal	No Equal	No Equal
23" x 20-1/4" Wheelchair Lavatory										
Z5321	Murro	955	No Equal	No Equal	Diana	110H	No Equal	No Equal	No Equal	No Equal
Z5324	Murro	954	No Equal	No Equal	Diana	110V	FreeStyle	051-2204	No Equal	No Equal
Z5328	Murro	958	No Equal	No Equal	Diana	110S	FreeStyle	051-2208	No Equal	No Equal
Z5329	Murro	59.02	No Equal	No Equal	No Equal	No Equal	Signature	281-2100	No Equal	No Equal
Z5321-PED	Murro	955 w/0059.020	No Equal	No Equal	Neu-Diana	127H	No Equal	No Equal	No Equal	No Equal
Z5324-PED	Murro	954 w/0059.020	No Equal	No Equal	Neu-Diana	127V	FreeStyle	051-2205	No Equal	No Equal

When ordering parts, always list product number and description.

For additional product information, please visit www.zurn.com.

COUNTERTOP AND UNDERMOUNT LAVATORIES

Product No.	Amercian Standard		Kohler		Crane		Eljer		Toto	
	Name	No.	Name	No.	Name	No.	Name	No.	Name	No.
20" x 17" Self-Rimming Countertop Lavatories										
Z5111	Aqualyn Cadet	475.047 419.111	Pennington	K-2196-1	Chelsea Vienne	1280H 4626	Murray Laura	051-0121 051-3515	Reliant Reliant	LT401 LT501
Z5114	Aqualyn Cadet	476.028 419.444	Pennington	K-2196-4	Chelsea Sanibel	1280S 4623	Murray Laura	051-0124 051-3514	Reliant Reliant	LT401.4 LT501.4
Z5118	Aqualyn Cadet	475.02 419.888	Pennington	K-2196-8	Chelsea Vienne	1280V 4624	Murray Laura	051-0128 051-3518	Reliant Reliant	LT401.8 LT501.8
19" Round Self-Rimming Countertop Lavatories										
Z5121	Rondalyn Cadet	490.156 427.111	Brookline	K-2202-1	Carla	1550H	Murray Lisa	051-0171 051-3505	Reliant Reliant	LT402 LT502
Z5124	Rondalyn Cadet	491.019 427.444	Brookline	K-2202-4	Carla	1550V 4618	Murray Lisa	051-0174 051-3504	Reliant Reliant	LT402.4 LT502.4
Z5128	Rondalyn Cadet	490.011 427.888	Brookline	K-2202-8	Carla Bradford	1550S 4619	Murray Lisa	051-0178 051-3508	Reliant Reliant	LT402.8 LT502.8
19" x 16" Undermount Lavatories										
Z5220	Ovalyn Ovalyn-U.A.	496.221 9482.0000	Caxton	K-2211	Tiara	1992	Barrow	051-3381	Reliant	LT587

CAST IRON LAVATORIES

Product No.	Amercian Standard		Kohler		Crane		Eljer		Toto	
	Name	No.	Name	No.	Name	No.	Name	No.	Name	No.
20" x 17" Self-Rimming Enameled Cast Iron Lavatory										
Z5811	No Equal	No Equal	Farmington	K-2905-1	No Equal	No Equal	Edwin	052-0276	-	No Equal
Z5814	Oval Horiz.	3303	Farmington	K-2905-4	No Equal	No Equal	Edwin	052-0274	-	588
Z5818	Oval Horiz.	3302	Farmington	K-2905-8	No Equal	No Equal	Edwin	052-0278	-	589
19" Round Self-Rimming Enameled Cast Iron Lavatory										
Z5821	No Equal	No Equal	Radiant	K-2917-1	No Equal	No Equal	Owen	052-0266	-	No Equal
Z5824	Horizon	301.025	Radiant	K-2917-4	No Equal	No Equal	Owen	052-0264	-	596
Z5828	No Equal	No Equal	Radiant	K-2917-8	No Equal	No Equal	Owen	052-0268	-	597
19"x 17" Enameled Cast Iron Wall Hung Lavatory										
Z5831	No Equal	No Equal	Hudson	K-2805	No Equal	No Equal	Bucknell	052-0181	-	541-1
Z5834	Regalyn	4867.004	Hudson	K-2861	No Equal	No Equal	Bucknell	052-0164	-	541
Z5838	Regalyn	4867.008	Hudson	K-2863	No Equal	No Equal	Bucknell	052-0178	-	540
20" x 18" Enameled Cast Iron Wall Hung Lavatory										
Z5841	No Equal	No Equal	Hudson	K-2810	No Equal	No Equal	Bucknell	052-0195	-	551-1
Z5844	Regalyn	4869.004	Hudson	K-2849	No Equal	No Equal	Bucknell	052-0174	-	551
Z5848	Regalyn	4869.008	Hudson	K-2869	No Equal	No Equal	Bucknell	052-0188	-	550

HOSPITAL/INSTITUTIONAL FIXTURES

Product No.	Americian Standard		Kohler		Crane		Eljer		Toto	
	Name	No.	Name	No.	Name	No.	Name	No.	Name	No.
Wall Mount, Blowout Service Sink										
Z5410	Clinic	9512.021	Camerton	K-12867	Sani-Sink Newcor	7H544 5H258	Judson	241-0260	No Equal	No Equal
Floor Mounted, Siphon Jet Service Sink										
Z5420	Clinic	9504.01	Tyrell	K-6676	Newcor	7H538/H537	Mercer	241-0270	No Equal	No Equal
28" x 22" Surgeon Sink										
Z5461-AM	Surgeon	9047.093	Hollister	K-12793	Neu-Medic	5H256	Surgeon	231-0141	No Equal	No Equal
Z5468-AM	Surgeon	9047.044	Hollister	K-12794	No Equal	No Equal	Surgeon	231-0144	No Equal	No Equal

SPECIALTY FIXTURES

Product No.	Americian Standard		Kohler		Crane		Eljer		Toto	
	Name	No.	Name	No.	Name	No.	Name	No.	Name	No.
Custodial Floor Sink										
Z5850	Florwell	7741	Whitby	K-6710	No Equal	No Equal	Custodial	242-0050	-	871
Z5850-RG	-	-	-	-	-	-	-	-	-	-
Z5850-D2	-	-	-	-	-	-	-	-	-	-
Z5850-D3	-	-	-	-	-	-	-	-	-	-
Service Sink										
Z5880	Lakewell	7692	Bannon	K-6718	No Equal	No Equal	Rollins	242-0120	-	867
Z5888	Lakewell	7692.008	Bannon	K-6714	No Equal	No Equal	Rollins	242-0150	-	865
Z5890	Akron	7695	Bannon	K-6719	No Equal	No Equal	Rollins	242-0125	-	868
Z5898	Akron	7695.008	Bannon	K-6715	No Equal	No Equal	Rollins	242-0155	-	866
Cast Iron Trap Standard for Service Sinks										
Z5900-IP2	-	-	-	-	-	-	-	-	-	-
Z5900-IP3	-	-	-	-	-	-	-	-	-	-

AQUAPARTS® AND ASSEMBLIES

When ordering parts, always list product number and description.

AQUAPARTS® PARTS AND ASSEMBLIES

A – FLUSH TUBES WITH VACUUM BREAKER FOR AQUAVANTAGE® AND AQUAFLUSH® FLUSH VALVES	147
B – VACUUM BREAKER REPAIR KITS FOR AQUAVANTAGE® AND AQUAFLUSH®	148
C, D – CONTROL STOP KITS FOR AQUAVANTAGE® AND AQUAFLUSH®	148
E – INTERNAL KITS AND ASSEMBLIES	149
G, H – WALL FLANGES, SPUD CONNECTIONS, AND COUPLINGS FOR AQUAVANTAGE® AND AQUAFLUSH®	150
J, K – TAILPIECE EXTENSIONS AND COUPLING NUT ASSEMBLIES FOR AQUAVANTAGE® AND AQUAFLUSH®	151
L, M – VALVE CAPS AND HANDLE PARTS FOR AQUAVANTAGE® AND AQUAFLUSH® EXPOSED FLUSH VALVES	151
METRO – METROFLUSH® FLUSH VALVE PARTS	152
N – CONCEALED VALVE ACTUATOR ASSEMBLIES AND REPAIR PARTS FOR AQUAVANTAGE® AND AQUAFLUSH®	152
ORK – E-Z FLUSH®/OPTIMA PLUS CHANGE-OUT KITS	154
M-ORK – HANDLE/OPTIMA PLUS CHANGE-OUT KITS	154
P – DIVERTER PARTS FOR BEDPAN WASHERS	154
Q – MISCELLANEOUS FLUSH CONNECTIONS AND ELBOWS FOR AQUAVANTAGE® AND AQUAFLUSH® CONCEALED VALVES	155

TPO – TRAP PRIMER PARTS FOR AQUAVANTAGE® AND AQUAFLUSH® VALVES	156
Y – MISCELLANEOUS VALVE PARTS AND ACCESSORIES	156
ZH – HYDRAULIC SERIES FLUSH VALVE REPAIR KITS AND PARTS FOR AQUAVANTAGE® AND AQUAFLUSH® VALVES	157
ZEMS – AQUASENSE® ZEMS ELECTRONIC SENSOR REPLACEMENT PARTS	158
ZERK – AQUASENSE® E-Z FLUSH BATTERY SENSOR REPLACEMENT PARTS	158
ZR – AQUASENSE® RETROFLUSH® BATTERY SENSOR REPLACEMENT PARTS	159
ZTS – ECOVANTAGE® BATTERY SENSOR FLUSH VALVES – ZTS SERIES	159
ZTR – ECOVANTAGE® BATTERY SENSOR FLUSH VALVES – ZTR SERIES	160
Z5795 WATERFREE URINAL PARTS	161
ZBF – AQUASENSE® E-Z SENSOR-OPERATED FAUCETS REPLACEMENT PARTS	161

PRODUCTS/PARTS EXPLODED VIEWS WITH IDENTIFICATION

AQUAVANTAGE® AV FLUSH VALVES WITH CHEMICAL AND CLOG-RESISTANT, TRIPLE FILTER DIAPHRAGM	165
AQUAVANTAGE® AND AQUAFLUSH® CONCEALED REPLACEMENT PARTS - Z6100AV AND Z6100 SERIES	166
AQUAFLUSH® FLUSH VALVES WITH CHEMICAL AND CLOG-RESISTANT DIAPHRAGM	167
AQUAVANTAGE® AND AQUAFLUSH® HYDRAULIC-OPERATED REPLACEMENT PARTS	168
METROFLUSH® REPLACEMENT PARTS	169
BEDPAN WASHER REPLACEMENT PARTS	170
ZTR6200EV SERIES REPLACEMENT PARTS	171
ZEMS-IS SERIES REPLACEMENT PARTS	172
ZEMS CLOSET SERIES REPLACEMENT PARTS	173
ZEMS URINAL VALVE REPLACEMENT PARTS	174
ZEMS G2 SERIES REPLACEMENT PARTS	175
ZEMS G2 SERIES REPLACEMENT PARTS	177
E-Z FLUSH® REPLACEMENT PARTS	178
RETROFLUSH® REPLACEMENT PARTS	179
AQUASENSE® E-Z SENSOR - Z6913-XL AND Z6915-XL FAUCETS REPLACEMENT PARTS	180
AQUASENSE® E-Z SENSOR - Z6920-XL (DECK MOUNT) AND Z6922-XL (BACK MOUNT) FAUCET REPLACEMENT PARTS	181
AQUASENSE® E-Z SENSOR - Z6930-XL FAUCET REPLACEMENT PARTS	182
Z6950 AQUA-FIT® SERIO SERIES™ REPLACEMENT PARTS	183

AQUAPARTS® PARTS AND ASSEMBLIES

A – Flush Tubes with Vacuum Breaker for AquaVantage® and Aquaflush® Flush Valves

**NOTE: Not Stock Items – Call Zurn Customer Care for availability and lead times (1-800-997-3876).

PRODUCT NO.	DESCRIPTION	SLOAN ROYAL/REGAL PRODUCT NUMBER	UPC	LIST PRICE
P6000-AA-CP	Vacuum Breaker Nut/Coupling - CP	V-553-A	670240414099	11.36
P6000-AA-RB	Vacuum Breaker Nut/Coupling - RB	-	670240414105	10.54
P6003-A-CP	3/4" x 9" Flush Tube/Vacuum Breaker less Nut - CP	V-500-AA/V-600-AA	670240412781	24.41
P6003-A-AA-CP	3/4" x 9" Flush Tube/Vacuum Breaker with Nut - CP	-	670240412842	29.46
P6003-1-A-CP**	3/4" x 13" Flush Tube/Vacuum Breaker less Nut - CP	-	670240412859	41.15
P6003-1-A-AA-CP**	3/4" x 13" Flush Tube/Vacuum Breaker with Nut - CP	-	670240412910	45.64
P6003-2-A-CP	3/4" x 21" Flush Tube/Vacuum Breaker less Nut - CP	-	670240576568	50.41
P6003-2-A-AA-CP	3/4" x 21" Flush Tube/Vacuum Breaker with Nut - CP	-	670240576551	55.08
P6003-3-A-CP**	3/4" x 24" Flush Tube/Vacuum Breaker less Nut - CP	-	670240412835	54.09
P6003-3-A-AA-CP**	3/4" x 24" Flush Tube/Vacuum Breaker with Nut - CP	-	670240416031	58.70
P6001-A-CP	1-1/4" x 9" Flush Tube/Vacuum Breaker less Nut - CP	V-500-AA/V-600-AA	670240412958	24.41
P6001-A-AA-CP	1-1/4" x 9" Flush Tube/Vacuum Breaker with Nut - CP	-	670240576544	29.46
P6001-1-A-CP**	1-1/4" x 13" Flush Tube/Vacuum Breaker less Nut - CP	V-500-AA/V-600-AA	670240413047	41.15
P6001-1-A-AA-CP**	1-1/4" x 13" Flush Tube/Vacuum Breaker with Nut - CP	-	670240576537	45.64
P6001-2-A-CP	1-1/4" x 21" Flush Tube/Vacuum Breaker less Nut - CP	V-500-AA/V-600-AA	670240412934	50.41
P6001-2-A-AA-CP	1-1/4" x 21" Flush Tube/Vacuum Breaker with Nut - CP	-	670240412996	55.08
P6001-3-A-CP**	1-1/4" x 24" Flush Tube/Vacuum Breaker less Nut - CP	-	670240415836	54.09
P6001-3-A-AA-CP**	1-1/4" x 24" Flush Tube/Vacuum Breaker with Nut - CP	-	670240416048	58.70
P6000-A-CP	1-1/2" x 9" Flush Tube/Vacuum Breaker less Nut - CP	V-500-AA/V-600-AA	670240414136	24.41
P6000-A-AA-CP	1-1/2" x 9" Flush Tube/Vacuum Breaker with Nut - CP	-	670240414198	29.46
P6000-1-A-CP	1-1/2" x 13" Flush Tube/Vacuum Breaker less Nut - CP	V-500-AA/V-600-AA	670240414426	41.15
P6000-1-A-AA-CP	1-1/2" x 13" Flush Tube/Vacuum Breaker with Nut - CP	-	670240414488	45.64
P6000-2-A-CP	1-1/2" x 21" Flush Tube/Vacuum Breaker less Nut - CP	V-500-AA/V-600-AA	670240576278	50.41
P6000-2-A-AA-CP	1-1/2" x 21" Flush Tube/Vacuum Breaker with Nut - CP	-	670240414464	55.08
P6000-3-A-CP	1-1/2" x 24" Flush Tube/Vacuum Breaker less Nut - CP	V-500-AA/V-600-AA	670240576292	54.09
P6000-3-A-AA-CP	1-1/2" x 24" Flush Tube/Vacuum Breaker with Nut - CP	-	670240576285	58.70
P6000-30-A-CP	1-1/2" x 30" Flush Tube/Vacuum Breaker less Nut - CP	-	670240414259	63.96
P6000-30-A-AA-CP	1-1/2" x 30" Flush Tube/Vacuum Breaker with Nut - CP	-	670240414242	68.68
P6000-36-A-CP	1-1/2" x 36" Flush Tube/Vacuum Breaker less Nut - CP	-	670240414174	67.53
P6000-36-A-AA-CP	1-1/2" x 36" Flush Tube/Vacuum Breaker with Nut - CP	-	670240414167	72.02
P6003-A-RB**	3/4" x 9" Flush Tube/Vacuum Breaker less Nut - RB	-	670240412729	39.55
P6003-10-A-RB	3/4" x 10" Flush Tube/Vacuum Breaker less Nut - RB	-	670240412804	40.37
P6003-1-A-RB	3/4" x 13" Flush Tube/Vacuum Breaker less Nut - RB	-	670240412798	41.25
P6001-10-A-RB	1-1/4" x 10" Flush Tube/Vacuum Breaker less Nut - RB	-	670240413054	40.37
P6000-A-RB**	1-1/2" x 9" Flush Tube/Vacuum Breaker less Nut - RB	-	670240414082	39.55
P6000-1-A-RB**	1-1/2" x 13" Flush Tube/Vacuum Breaker less Nut - RB	V-500-AA/V-600-AA	670240414433	41.41
P6000-2-A-RB	1-1/2" x 21" Flush Tube/Vacuum Breaker less Nut - RB	-	670240414419	50.79
P6000-3-A-RB**	1-1/2" x 24" Flush Tube/Vacuum Breaker less Nut - RB	-	670240414228	51.89
P6000-17-A-RB**	1-1/2" x 17" Flush Tube/Vacuum Breaker less Nut - RB	-	670240433496	45.42
P6000-30-A-RB**	1-1/2" x 30" Flush Tube/Vacuum Breaker less Nut - RB	V-500-AA/V-600-AA	670240414266	58.37
P6000-18A-01.5	1-1/2" x 18" Flush Tube with 1-1/2" Offset	-	670240415584	154.29
P6000-22A-01.0**	1-1/2" x 22" Flush Tube with 1" Offset	-	670240414297	171.02
P6000-22A-01.5**	1-1/2" x 22" Flush Tube with 1-1/2" Offset	-	670240244535	162.79
P6000-22A-2.0**	1-1/2" x 22" Flush Tube with 2" Offset	-	670240414310	171.02
P6000-24A-01.0	1-1/2" x 24" Flush Tube with 1" Offset	-	670240414327	176.94
P6000-24A-01.5	1-1/2" x 24" Flush Tube with 1-1/2" Offset	-	670240449657	176.94
P6000-24A-02.0	1-1/2" x 24" Flush Tube with 2" Offset	-	670240414334	176.94

When ordering parts, always list product number and description.

For additional product information, please visit www.zurn.com.

B – Vacuum Breaker Repair Kits for AquaVantage® and Aquaflush®

PRODUCT NO.	DESCRIPTION	SLOAN ROYAL/REGAL PRODUCT NUMBER	UPC	LIST PRICE
P6000-B-HP	High Pressure Vacuum Breaker Repair Kit	V-651-A	670240380097	4.29
P6003-B-HP	High Pressure Vacuum Breaker Repair Kit (For Urinals)	V-651-A	670240380097	4.29

C, D – Control Stop Kits for AquaVantage® and Aquaflush®

PRODUCT NO.	DESCRIPTION	SLOAN ROYAL/REGAL PRODUCT NUMBER	UPC	LIST PRICE
P6000-C-SD-CP	1" SD Stop - CP	H-600-A/H-700-A	670240414075	62.25
P6000AV-C-SD-CP	1" SD Stop - CP with Vandal-Resistant Cover (AV)	-	670240585119	77.17
P6003AV-C-SD-CP	3/4" SD Stop - CP with Vandal-Resistant Cover (AV)	-	670240546097	77.17
P6000-C-WH-CP	1" WH Stop - CP	H-600-A/H-700-A	670240418288	62.25
P6000-C-WH-RB	1" WH Stop - RB	H-600-A/H-700-A	670240414013	59.95
P6000-CG-SD-CP	1" SD GJ Straight Stop - CP	H-650-AG/H-750-A	670240413948	80.24
P6000-CG-WH-CP	1" WH GJ Straight Stop - CP	H-650-AG/H-750-AG	670240418233	80.24
P6003-C-SD-CP	3/4" SD Stop - CP	-	670240412736	62.25
P6003-C-WH-CP	3/4" WH Stop - CP	H-600-A/H-700-A	670240417137	62.25
P6003-C-WH-RB	3/4" WH Stop - RB	H-600-A/H-700-A	670240412743	59.95
P6000-C30	Snap Ring/Lock Ring	-	670240410411	0.88
P6000-C31	O-Ring for Tailpiece	H-553	670240414020	1.43
P6000-C32-CP	Stop Nut/Coupling - CP	-	670240414037	7.84
P6000-C32-RB	Stop Nut/Coupling - RB	-	670240426337	6.26
P6000-C32-G-CP	Stop Nut/Coupling GJ - CP	H-6	670240418240	8.40
P6000-C32-G-RB	Stop Nut/Coupling GJ - RB	H-6	670240418257	7.46
P6000-C33	Stop Snap Cap Screw Cover	-	670240414044	2.31
P6000-C34-CP	Stop Cap/Bonnet - CP	-	670240414068	11.74
P6000-C34-YO	Stop Cap with YO	-	670240414006	14.70
P6000-C34-RB	Stop Cap/Bonnet - RB	-	670240390720	10.92
P6000-D35	Adjusting Screw	-	670240413993	2.31
P6000-C33-WH	Wheel Handle with Handle Screw	-	670240414051	2.64
P6000-D-SD	SD Stop Valve Repair Kit - 1"	H-541-AA	670240576322	13.45
P6000-D-WH	WH Stop Valve Repair Kit - 1"	-	670240413986	15.85
P6003-D-SD	SD Stop Valve Repair Kit - 3/4"	-	670240576575	13.45
P6003-D-WH	WH Stop Valve Repair Kit - 3/4"	-	670240412774	15.85
P6000-D42	Seal/Plug Seat for 1" and 3/4"	H-584	670240413887	2.09
PS6003-C33	3/4" Cap CP - H582 - Royal	-	670240415171	14.04
PS6003-D	3/4" Stop Valve Repair Kit - H543AA - Royal	-	670240415188	13.45
P6000-VC	Vandal-Resistant Control Stop Cover - 1" and 3/4" Zurn	-	670240413191	13.45
P6000-VC-W-VP	Vandal-Resistant Control Stop Cover Wrench	-	670240538443	0.49
P6000-VC-SS	Setscrew for VC Cover	-	670240452428	0.72

E – Internal Kits and Assemblies

PRODUCT NO.	DESCRIPTION	SLOAN ROYAL/REGAL PRODUCT NUMBER	UPC	LIST PRICE
AquaVantage® Diaphragm Kits				
NOTE: Standard Packaging – Items are boxed. For Plastic Clam Shell Packaging Order Suffix -CS (Ex: P6000-ECA-WS1-CS or P6000-ECA-WS1-RK-CS). Rebuild Kit Contains: Valve Repair Kit, Handle Repair Kit, Vacuum Breaker Repair Kit and Tailpiece O-Ring.				
P6000-ECA-FF	Closet Repair Kit Chemical and Clog Resistant Triple Filter - 4.5 gal.	–	670240538580	51.51
P6000-ECA-HET	Closet Repair Kit Chemical and Clog Resistant Triple Filter - 1.28 gal.	–	670240364400	51.51
P6000-ECA-WS	Closet Repair Kit Chemical and Clog Resistant Triple Filter - 3.5 gal.	A-1038-A	670240507999	51.51
P6000-ECA-WS1	Closet Repair Kit Chemical and Clog Resistant Triple Filter - 1.6 gal.	A-1041-A	670240507852	51.51
P6000-ECA-PWS	Closet Repair Kit Chemical and Clog Resistant Triple Filter - 2.4 gal.	A-1044-A	670240547742	51.51
P6000-EUA-FF	Urinal Repair Kit Chemical and Clog Resistant Triple Filter - 3.0 gal.	–	670240530638	51.51
P6000-EUA-ULF	Urinal Repair Kit Chemical and Clog Resistant Triple Filter - 0.125 gal.	–	670240384835	51.51
P6000-EUA-WS	Urinal Repair Kit Chemical and Clog Resistant Triple Filter - 1.5 gal.	A-1037-A	670240522169	51.51
P6000-EUA-WS1	Urinal Repair Kit Chemical and Clog Resistant Triple Filter - 1.0 gal.	A-1042-A	670240507876	51.51
P6000-EUA-EWS	Urinal Repair Kit Chemical and Clog Resistant Triple Filter - .5 gal.	A-1043-A	670240585911	51.51
AquaVantage® Flush Valve Advantage Rebuild Kits				
NOTE: Standard Packaging – Items are boxed. For Plastic Clam Shell Packaging Order Suffix -CS (Ex: P6000-ECA-WS1-CS or P6000-ECA-WS1-RK-CS). Rebuild Kit Contains: Valve Repair Kit, Handle Repair Kit, Vacuum Breaker Repair Kit and Tailpiece O-Ring.				
P6000-ECA-FF-RK	Closet Rebuild Kit - 4.5 gal.	–	670240546110	60.61
P6000-ECA-HET-RK	Closet Rebuild Kit - 1.28 gal.	–	670240386914	60.61
P6000-ECA-WS-RK	Closet Rebuild Kit - 3.5 gal.	A-1102-A	670240533097	60.61
P6000-ECA-WS1-RK	Closet Rebuild Kit - 1.6 gal.	A-1101-A	670240531390	60.61
P6000-ECA-PWS-RK	Closet Rebuild Kit - 2.4 gal.	A-1103-A	670240585935	60.61
P6000-EUA-FF-RK	Urinal Rebuild Kit - 3.0 gal.	–	670240544802	60.61
P6000-EUA-ULF-RK	Urinal Rebuild Kit - 0.125 gal.	–	670240685116	60.61
P6000-EUA-WS-RK	Urinal Rebuild Kit - 1.5 gal.	A-1108-A	670240533103	60.61
P6000-EUA-WS1-RK	Urinal Rebuild Kit - 1.0 gal.	A-1107-A	670240533110	60.61
P6000-EUA-EWS-RK	Urinal Rebuild Kit - .5 gal.	A-1106-A	670240596740	60.61
Aquaflush® Diaphragm Kits				
P6000-ECR-FF	Closet Repair Kit - 4.5 gal.	A-36-A	670240552135	26.39
P6000-ECR-WS	Closet Repair Kit - 3.5 gal.	A-38-A	670240552081	26.39
P6000-ECR-WS1	Closet Repair Kit - 1.6 gal.	A-41-A	670240552098	36.81
P6000-ECR-PWS	Closet Repair Kit - 2.4 gal.	A-44-A	670240574601	36.81
P6000-EUR-FF	Urinal Repair Kit - 3.0 gal.	–	670240552142	26.39
P6000-EUR-WS	Urinal Repair Kit - 1.5 gal.	A-37-A	670240552104	26.39
P6000-EUR-WS1	Urinal Repair Kit - 1.0 gal.	A-42-A	670240552111	36.81
P6000-EUR-EWS	Urinal Repair Kit - .5 gal.	A-43-A	670240564824	36.81
Aquaflush® Flush Valve Rebuild Kits				
NOTE: Standard Packaging – Items are boxed. For Plastic Clam Shell Packaging Order Suffix -CS (Ex: P6000-ECA-WS1-CS or P6000-ECA-WS1-RK-CS). Rebuild Kit Contains: Valve Repair Kit, Handle Repair Kit, Vacuum Breaker Repair Kit and Tailpiece O-Ring.				
P6000-ECR-FF-RK	Rebuild Kit for 4.5 gal. Closet	–	670240553903	34.62
P6000-ECR-WS-RK	Rebuild Kit for 3.5 gal. Closet/Urinal	–	670240554320	34.62
P6000-ECR-WS1-RK	Rebuild Kit for 1.6 gal. Closet	–	670240553880	42.56
P6000-ECR-PWS-RK	Rebuild Kit for 2.4 gal. Closet	–	670240596979	42.56
P6000-EUR-FF-RK	Rebuild Kit for 3.0 gal. Urinal	–	670240564152	34.62
P6000-EUR-WS-RK	Rebuild Kit for 1.5 gal. Urinal	–	670240553804	34.62
P6000-EUR-WS1-RK	Rebuild Kit for 1.0 gal. Urinal	–	670240552623	42.56
P6000-EUR-EWS-RK	Rebuild Kit for .5 gal. Urinal	–	670240596986	42.56

PRODUCT NO.	DESCRIPTION	SLOAN ROYAL/REGAL PRODUCT NUMBER	UPC	LIST PRICE
Aquaflush® Flush Valve Rebuild Kits*				
NOTE: Standard Packaging – Items are boxed. For Plastic Clam Shell Packaging Order Suffix -CS (Ex: P6000-ECA-WS1-CS or P6000-ECA-WS1-RK-CS). Rebuild Kit Contains: Valve Repair Kit, Handle Repair Kit, Vacuum Breaker Repair Kit and Tailpiece O-Ring.				
P6000-EC13	Trip Mechanism/Relief Valve for Closet	A-19-AC	670240576391	7.25
P6000-EU13	Trip Mechanism/Relief Valve for Urinal	A-19-AU	670240576476	7.25
P6000-E14	Molded Disc	A-15-A	670240576339	6.04
P6000-EG	Guide Assembly - Old Style with Reversible Flow Ring (For Black Segmented Diaphragm)	A-163-A	670240576421	5.87
P6000-EG-WS1	Low Consumption Guide Assembly - LC - 1.6 gal. - Old Style	A-151-A	670240576438	13.45
P6000-EGU-WS1	Low Consumption Guide Assembly - 1.0 gal. Urinal - Old Style	-	670240416130	13.45
P6000-EGR	Guide Assembly with 3 Flow Rings for Aquaflush Chemical Resistant Diaphragm	-	670240596993	13.45
P6000-EUR-FP	Foot Pedal Repair Kit - Urinal	A-40-A	670240597006	34.29
P6000-ECR-FP	Foot Pedal Repair Kit - Closet	A-39-A	670240554009	34.29
P6000-EER	Diaphragm Repair Kit	A-156-AA	670240553798	15.03
P6000-ER15	Aquaflush Diaphragm - Chemical Resistant (Light Blue)	A-56-A	670240552128	7.68
P6000-E16	Reversible Flow Ring - Old Style for Black Segmented Diaphragm	-	670240413917	2.69
P6000-E16-WS1	Flow Ring for Closet 1.6 gal. - Old Style for Black Segmented Diaphragm	-	670240450370	2.69
P6000-E16-LP	Flow Ring for Closet 6.0 gal. - Old Style for Black Segmented Diaphragm	-	670240450837	2.69
P6017-ECR	Repair Kit - 6.0 gal	-	670240554092	43.72
P6000-KWIK-TURN	Tool for Disassembling Internal Kits	-	670240622067	9.44

G, H – Wall Flanges, Spud Connections, and Couplings for AquaVantage® and Aquaflush®

PRODUCT NO.	DESCRIPTION	SLOAN ROYAL/REGAL PRODUCT NUMBER	UPC	LIST PRICE
P6003-G	3/4" Wall Flange	F-7	670240412712	5.77
P6000-G	1" Wall Flange	F-7	670240413702	5.77
P6001-G-TUBE	1-1/4" Tube Flange	F-7	670240412965	7.68
P6000-G-TUBE	1-1/2" Tube Flange	F-7	670240413719	7.68
P6003-H	3/4" Spud Escutcheon and Coupling Assembly	F-5-A	670240412651	18.11
P6001-H	1-1/4" Spud Escutcheon and Coupling Assembly	F-5-A	670240412972	18.11
P6000-H	1-1/2" Spud Escutcheon and Coupling Assembly	F-5-A	670240413658	18.11
P6003-H26	3/4" Fiber Washer	F-3	670240412682	0.28
P6001-H26	1-1/4" Fiber Washer	F-3	670240412866	0.28
P6000-H26	1-1/2" Fiber Washer	F-3	670240413603	0.28
P6003-H27	3/4" Spud Rubber Gasket	F-5	670240412699	0.61
P6001-H27	1-1/4" Spud Rubber Gasket	F-5	670240412873	0.61
P6000-H27	1-1/2" Spud Rubber Gasket	F-5	670240413610	0.61
P6003-H28	3/4" Spud Escutcheon	-	670240412705	7.02
P6001-H28	1-1/4" Spud Escutcheon	-	670240412880	7.02
P6000-H28	1-1/2" Spud Escutcheon	-	670240413627	7.02
P6003-HN-CP	3/4" Spud/Coupling Nut and Gaskets - CP	-	670240412644	10.81
P6001-HN-CP	1-1/4" Spud/Coupling Nut and Gaskets - CP	-	670240412897	10.81
P6000-HN-CP	1-1/2" Spud/Coupling Nut and Gaskets - CP	-	670240413634	10.81
P6003-HN-RB	3/4" Spud/Coupling Nut and Gaskets - RB	-	670240412583	7.68
P6001-HN-RB	1-1/4" Spud/Coupling Nut and Gaskets - RB	-	670240412903	7.68
P6000-HN-RB	1-1/2" Spud/Coupling Nut and Gaskets - RB	-	670240413641	7.68
P6000-HNS-CP	1-1/2" Coupling Nut and P30 Flat Gasket - CP	-	670240413580	9.55
P6000-HNS-RB	1-1/2" Coupling Nut and P30 Flat Gasket - RB	-	670240413528	8.73

J, K – Tailpiece Extensions and Coupling Nut Assemblies for AquaVantage® and Aquaflush®

PRODUCT NO.	DESCRIPTION	SLOAN ROYAL/REGAL PRODUCT NUMBER	UPC	LIST PRICE
P6000-J1	Tailpiece Assembly 2-1/8" to Rough-in – 4-1/4" - 5-1/4"	H-551-A	670240413535	18.32
P6000-J2	Tailpiece Assembly 2-3/4" to Rough-in – 5" - 5-3/4"	H-551-A	670240413511	22.93
P6000-J3	Tailpiece Assembly 3-3/8" to Rough-in – 5-1/2" - 6-1/4"	H-551-A	670240413450	27.87
P6000-J4	Tailpiece Assembly 4" to Rough-in – 6" - 7"	H-551-A	670240413467	32.58
P6000-J5	Tailpiece Assembly 4-5/8" to Rough-in – 6-3/4" - 7-1/2"	H-551-A	670240413474	37.35
P6000-J6	Tailpiece Assembly 5-1/4" to Rough-in – 7-1/4" - 8-1/4"	-	670240413481	42.63
P6000-J7	Tailpiece Assembly 5-7/8" to Rough-in – 8" - 8-3/4"	-	670240413498	48.71
P6000-J9	Tailpiece Assembly 1-3/4" to Rough-in – 4-3/4" - 5" (For J10 Adapter)	H-5	670240415690	17.99
P6000-J10	Ground Joint Control Stop Adapter	-	670240413542	28.47
P6000-J11	Tailpiece Adapter Rough-in – 6" - 7-3/4"	-	670240413559	28.91
P6000-J1G-CP	Tailpiece for GJ-CP - 1-3/4"	-	670240597013	13.66
P6000-C30	Snap Ring/Lock Ring	-	670240410411	0.88
P6000-C31	O-Ring for Tailpiece	H-553	670240414020	1.43
P6000-C32-CP	Stop Nut/Coupling - CP	-	670240414037	7.84
P6000-C32-RB	Stop Nut/Coupling - RB	-	670240426337	6.26
P6000-C32-G-CP	Stop Nut/Coupling GJ - CP	H-6	670240418240	8.40
P6000-C32-G-RB	Stop Nut/Coupling GJ - RB	H-6	670240418257	7.46
P6000-FA	AquaVantage®, AquaFlush®, and Metroflush® Tailpiece Filter	-	670240487321	7.91

L, M – Valve Caps and Handle Parts for AquaVantage® and Aquaflush® Exposed Flush Valves

PRODUCT NO.	DESCRIPTION	SLOAN ROYAL/REGAL PRODUCT NUMBER	UPC	LIST PRICE
P6000-L	Inside Plastic Cover	A-71	670240576483	9.16
P6000-LL-CP	Outside Brass Cover - CP	-	670240413375	30.18
P6000-LL-RB	Outside Brass Cover - RB	-	670240413382	27.65
P6000-LLS	Chrome-Plated Outside Brass Replacement Cover for Sloan Royal and Regal Flush Valves	-	670240587205	30.18
P6000-M-ADA	Handle Assembly for Exposed Valve (ADA Compliant)	B-73-A	670240576506	22.93
P6000-M-ADA-BG-DF	BioCare Dual Flush Handle Assembly	-	670240393141	106.08
P6000-M-AV-ADA	Handle Assembly AV for Exposed Valve	-	670240397408	22.93
P6000-M-ADA-DF	Dual Flush Handle Assembly	-	670240646988	74.70
P6000-M-ADA-BG	BioCare Handle Assembly (ADA Compliant)	-	670240460508	48.38
P6000-MH	Handle Assembly for Exposed Valve (Front)	-	670240415713	23.86
P6000-ML	Small Push Button Assembly for Exposed Valve	C-2-A	670240415751	25.56
P6000-ML3	3" Push Button Assembly for Exposed Valve	C-42-A	670240415768	37.25
P6000-MYW	Foot Pedal Assembly for Exposed Valve	-	670240415805	139.87
P6000-M1-CP	Handle Nut/Coupling - CP	A-6-CP	670240413429	7.35
P6000-M1-RB	Handle Nut/Coupling - RB	A-6-RB	670240415706	6.86
P6000-M4	Handle (Grip Only)	B-32	670240413290	10.26
P6000-M4-ADA	Handle ADA Compliant (Grip Only)	-	670240413306	13.66
P6000-M4-BG	BioCare Handle (ADA Compliant)	-	670240413313	35.77
P6000-ML4	Small Push Button	C-2	670240415782	12.68
P6000-ML3-4	3" Push Button Replacement Kit	C-42	670240415775	38.12
P6000-MYW4	Foot Pedal	C-34	670240418189	65.03
P6000-M9	Seal	B-39-A	670240576513	1.33
P6000-M10	Handle Gasket	A-31	670240413436	0.49
P6000-MK	Handle Repair Kit for Exposed Valve (Side) - Zurn No Leak	B-50-A/B-51-A	670240576520	4.50
P6000-MHK	Handle Repair Kit for Exposed Valve (Front) - Zurn No Leak	C-65-A	670240415720	6.26
P6000-MYWK	Foot Pedal Repair Kit for Exposed Flush Valve	C-33-A	670240553156	139.87

METRO – Metroflush® Flush Valve Parts

PRODUCT NO.	DESCRIPTION	SLOAN ROYAL/REGAL PRODUCT NUMBER	UPC	LIST PRICE
P6200-EC-WS	Metroflush Repair Kit - Closet 3.5 gal.	-	670240420922	31.37
P6200-EC-WS1	Metroflush Repair Kit - Closet 1.6 gal.	-	670240453319	31.37
P6200-EC-HET	Metroflush Repair Kit - Closet 1.28 gal.	-	670240383340	31.37
P6200-EU-WS	Metroflush Repair Kit - Urinal 1.5 gal.	-	670240520325	31.37
P6200-EU-WS1	Metroflush Repair Kit - Urinal 1.0 gal.	-	670240536876	31.37
P6203-EU-EWS	Metroflush Repair kit - Urinal 0.5 gal.	-	670240382411	31.37
P6200-LL-CG	Cover Gasket Z6200 Series	-	670240574717	1.18
P6200-LL-CP	Outside Brass Cover - CP	-	670240574700	31.76
P6000-M-ADA	Handle Assembly - ADA	B-73-A	670240576506	22.93
P6000-M10	Handle Gasket	A-31	670240413436	0.49
P6000-MK	Handle Repair Kit	B-50-A/B-51-A	670240576520	4.50
P6200-MS	Main Seat for Metro Valve	-	670240451025	14.04

N – Concealed Valve Actuator Assemblies and Repair Parts for AquaVantage® and Aquaflush®

PRODUCT NO.	DESCRIPTION	SLOAN ROYAL/REGAL PRODUCT NUMBER	UPC	LIST PRICE
Handle Assemblies for Concealed Valves				
NOTE: For access panel application, use -AP suffix				
P6000-N-3.75L	Handle Assembly - 3-3/4" 'L' Dim.	B-12-A	670240418134	115.36
P6000-N-4.75L	Handle Assembly - 4-3/4" 'L' Dim.	B-12-A	670240418141	121.17
P6000-N-5.75L	Handle Assembly - 5-3/4" 'L' Dim.	B-12-A	670240418158	127.09
P6000-N-6.75L	Handle Assembly - 6-3/4" 'L' Dim.	B-12-A	670240418165	132.91
P6000-N-7.75L	Handle Assembly - 7-3/4" 'L' Dim.	B-12-A	670240418103	138.67
P6000-N-8.75L	Handle Assembly - 8-3/4" 'L' Dim.	B-12-A	670240418042	144.48
P6000-N-9.75L	Handle Assembly - 9-3/4" 'L' Dim.	B-12-A	670240418059	150.30
P6000-N-10.75L	Handle Assembly - 10-3/4" 'L' Dim.	B-12-A	670240418196	156.90
P6000-N-11.75L	Handle Assembly - 11-3/4" 'L' Dim.	B-12-A	670240418202	161.93
P6000-N-12.75L	Handle Assembly - 12-3/4" 'L' Dim.	B-12-A	670240418172	167.86
P6000-N-13.75L	Handle Assembly - 13-3/4" 'L' Dim.	B-12-A	670240392861	173.61
P6000-N-14.75L	Handle Assembly - 14-3/4" 'L' Dim.	B-12-A	670240395756	179.43
Small Push Button Assemblies for Concealed Valves				
NOTE: For access panel application, use -AP suffix				
P6000-NL-3.75L	Small Push Button Assembly - 3-3/4" 'L' Dim.	C-9-A	670240413283	120.16
P6000-NL-4.75L	Small Push Button Assembly - 4-3/4" 'L' Dim.	C-9-A	670240417731	125.97
P6000-NL-5.75L	Small Push Button Assembly - 5-3/4" 'L' Dim.	C-9-A	670240417748	131.73
P6000-NL-6.75L	Small Push Button Assembly - 6-3/4" 'L' Dim.	C-9-A	670240417755	137.55
P6000-NL-7.75L	Small Push Button Assembly - 7-3/4" 'L' Dim.	C-9-A	670240417762	143.36
P6000-NL-8.75L	Small Push Button Assembly - 8-3/4" 'L' Dim.	C-9-A	670240417779	149.18
P6000-NL-9.75L	Small Push Button Assembly - 9-3/4" 'L' Dim.	C-9-A	670240417663	154.82
P6000-NL-10.75L	Small Push Button Assembly - 10-3/4" 'L' Dim.	C-9-A	670240416505	160.93
P6000-NL-11.75L	Small Push Button Assembly - 11-3/4" 'L' Dim.	C-9-A	670240417809	166.68

N – Concealed Valve Actuator Assemblies and Repair Parts for AquaVantage® and Aquaflush®

PRODUCT NO.	DESCRIPTION	SLOAN ROYAL/REGAL PRODUCT NUMBER	UPC	LIST PRICE
P6000-NL-12.75L	Small Push Button Assembly - 12-3/4" 'L' Dim.	C-9-A	670240417816	172.39
P6000-NL-13.75L	Small Push Button Assembly - 13-3/4" 'L' Dim.	C-9-A	670240417823	178.31
P6000-NL-14.75L	Small Push Button Assembly - 14-3/4" 'L' Dim.	C-9-A	670240417724	184.12
Large Push Button Assemblies for Concealed Valves				
NOTE: For access panel application, use -AP suffix				
P6000-NL3-3.75L	3" Push Button Assembly - 3-3/4" 'L' Dim.	C-43-A	670240417670	174.18
P6000-NL3-4.75L	3" Push Button Assembly - 4-3/4" 'L' Dim.	C-43-A	670240417687	180.27
P6000-NL3-5.75L	3" Push Button Assembly - 5-3/4" 'L' Dim.	C-43-A	670240417694	186.31
P6000-NL3-6.75L	3" Push Button Assembly - 6-3/4" 'L' Dim.	C-43-A	670240413214	192.24
P6000-NL3-7.75L	3" Push Button Assembly - 7-3/4" 'L' Dim.	C-43-A	670240417700	198.28
P6000-NL3-8.75L	3" Push Button Assembly - 8-3/4" 'L' Dim.	C-43-A	670240417717	204.37
P6000-NL3-9.75L	3" Push Button Assembly - 9-3/4" 'L' Dim.	C-43-A	670240417595	210.35
P6000-NL3-10.75L	3" Push Button Assembly - 10-3/4" 'L' Dim.	C-43-A	670240450349	177.53
P6000-NL3-11.75L	3" Push Button Assembly - 11-3/4" 'L' Dim.	-	670240462038	228.85
P6000-NL3-12.75L	3" Push Button Assembly - 12-3/4" 'L' Dim.	-	670240541351	234.89
P6000-NL3-13.75L	3" Push Button Assembly - 13-3/4" 'L' Dim.	-	670240596757	240.82
P6000-NL3-14.75L	3" Push Button Assembly - 14-3/4" 'L' Dim.	-	670240571532	246.86
Foot Pedal Assemblies for Concealed Valves				
P6000-NYW-3.75L	Pedal Assembly - 3-3/4" 'L' Dim.	C-40-A	670240417656	208.50
P6000-NYW-4.75L	Pedal Assembly - 4-3/4" 'L' Dim.	C-40-A	670240417526	216.00
P6000-NYW-5.75L	Pedal Assembly - 5-3/4" 'L' Dim.	C-40-A	670240417533	221.37
P6000-NYW-6.75L	Pedal Assembly - 6-3/4" 'L' Dim.	C-40-A	670240417540	231.04
P6000-NYW-7.75L	Pedal Assembly - 7-3/4" 'L' Dim.	C-40-A	670240417557	238.64
P6000-NYW-8.75L	Pedal Assembly - 8-3/4" 'L' Dim.	C-40-A	670240417564	246.02
P6000-NYW-9.75L	Pedal Assembly - 9-3/4" 'L' Dim.	C-40-A	670240417571	253.62
P6000-NYW-10.75L	Pedal Assembly - 10-3/4" 'L' Dim.	C-40-A	670240417601	261.12
P6000-NYW-11.75L	Pedal Assembly - 11-3/4" 'L' Dim.	C-40-A	670240417618	278.17
P6000-NYW-12.75L	Pedal Assembly - 12-3/4" 'L' Dim.	C-40-A	670240417625	286.00
P6000-NYW-13.75L	Pedal Assembly - 13-3/4" 'L' Dim.	C-40-A	670240417632	293.77
P6000-NYW-14.75L	Pedal Assembly - 14-3/4" 'L' Dim.	C-40-A	670240417649	301.49
Miscellaneous Actuator Repair Parts				
P6000-N1	Wall Flange	B-23-A	670240418066	20.41
P6000-N1B	Wall Flange for Access Panel	-	670240418073	45.97
P6000-N1B-W	Wrench for Wall Flange for Access Panel	-	670240459519	34.22
P6000-N3	Adjusting Nut (Flat)	B-24	670240417922	8.17
P6000-N3B	Adjusting Nut (Bell Escutcheon)	-	670240509290	15.78
P6000-M10	Handle Gasket	A-31	670240413436	0.49
P6000-M9	Seal	B-39-A	670240576513	1.33
P6000-M1-RB	Handle Nut/Coupling - RB	A-6-RB	670240415706	6.86
P6000-M4	Handle	B-32	670240413290	10.26
P6000-NK	Repair Kit for Concealed Valve and Concealed Foot Pedal Valve	B-55-A	670240415812	8.67
P6000-ML4	Small Push Button - CP	C-2	670240415782	12.68
P6000-ML3-4	3" Push Button Replacement Kit	C-42	670240415775	38.12
P6000-MYW4	Foot Pedal	C-34	670240418189	65.03
P6000-NYW2	Screw - CP	C-35	670240461154	1.35
P6000-NYW3	Flange with Setscrew	C-40	670240597020	108.15
P6000-C36-RB	Handle Nut Solid with Gasket for Concealed Valves - RB	-	670240529809	6.86

When ordering parts, always list product number and description.

For additional product information, please visit www.zurn.com.

ORK – E-Z Flush®/Optima Plus Change-Out Kits

To Change Out a Sloan G2 Optima Plus or Optima Plus Battery Sensor Flush Valve to a Zurn E-Z Flush Battery-Operated Sensor Flush Valve with Chemical Clog Resistant Diaphragm Kit. Change-Out Kit Includes: E-Z Flush Kit (CPM or CP as ordered), AV Diaphragm Kit, Inside Plastic Cap, and Chrome-Plated Outside Brass Replacement Cover for Sloan Royal/Regal Flush Valves.

PRODUCT NO.	DESCRIPTION	UPC	LIST PRICE
ZERK-ORK-0.125-CPM	E-Z Flush Change-Out Kit for 0.125 gal. Urinal with Chrome Metal Cover	-	519.80
ZERK-ORK-0.5-CPM	E-Z Flush Change-Out Kit for 0.5 gal. Urinal with Chrome Metal Cover	-	519.80
ZERK-ORK-1.0-CPM	E-Z Flush Change-Out Kit for 1.0 gal. Urinal with Chrome Metal Cover	670240611603	519.80
ZERK-ORK-1.28-CPM	E-Z Flush Change-Out Kit for 1.28 gal. Clost with Chrome Metal Cover	-	519.80
ZERK-ORK-1.5-CPM	E-Z Flush Change-Out Kit for 1.5 gal. Urinal with Chrome Metal Cover	670240611610	519.80
ZERK-ORK-1.6-CPM	E-Z Flush Change-Out Kit for 1.6 gal. Closet with Chrome Metal Cover	670240611627	519.80
ZERK-ORK-0.125-CP	E-Z Flush Change-Out Kit for 0.125 gal. Urinal with Chrome Plastic Cover	-	485.73
ZERK-ORK-0.5-CP	E-Z Flush Change-Out Kit for 0.5 gal. Urinal with Chrome Plastic Cover	-	485.73
ZERK-ORK-1.0-CP	E-Z Flush Change-Out Kit for 1.0 gal. Urinal with Chrome Plastic Cover	670240611665	485.73
ZERK-ORK-1.28-CP	E-Z Flush Change-Out Kit for 1.28 gal. Clost with Chrome Plastic Cover	-	485.73
ZERK-ORK-1.5-CP	E-Z Flush Change-Out Kit for 1.5 gal. Urinal with Chrome Plastic Cover	670240611658	485.73
ZERK-ORK-1.6-CP	E-Z Flush Change-Out Kit for 1.6 gal. Closet with Chrome Plastic Cover	670240611672	485.73
-CCP	E-Z Flush Change-Out Kit - Closet with Complete Chrome Plastic Cover (List Adder to -CP)	-	8.78

M-ORK – Handle/Optima Plus Change-Out Kits

To Change Out a Sloan G2 Optima Plus or Optima Plus Battery Sensor Flush Valve to a Handle-Operated Flush Valve with Chemical Clog Resistant Diaphragm Kit. Handle Change-Out Kit Includes: ADA Handle Assembly, AV Diaphragm Kit, Inside Plastic Cap, and Chrome-Plated Outside Brass Replacement Cover for Sloan Royal/Regal Flush Valves.

PRODUCT NO.	DESCRIPTION	UPC	LIST PRICE
P6000-M-ORK-0.125	Handle Change-Out Kit for 0.125 gal. Urinal	-	83.70
P6000-M-ORK-0.5	Handle Change-Out Kit for 0.5 gal. Urinal	-	83.70
P6000-M-ORK-1.0	Handle Change-Out Kit for 1.0 gal. Urinal	670240611702	83.70
P6000-M-ORK-1.28	Handle Change-Out Kit for 1.28 gal. Closet	-	83.70
P6000-M-ORK-1.5	Handle Change-Out Kit for 1.5 gal. Urinal	670240611719	83.70
P6000-M-ORK-1.6	Handle Change-Out Kit for 1.6 gal. Closet	670240607590	83.70

P – Diverter Parts for Bedpan Washers

PRODUCT NO.	DESCRIPTION	UPC	LIST PRICE
P6000-P3	Spray Disc (Included in Diverter Repair Kit)	670240413245	2.58
P6000-P4	Spray Disc Screw (Included in Diverter Repair Kit)	670240413252	2.19
P6000-P8	Wall Flange with Setscrew	670240415829	33.28
P6000-P8-1	Support Rod - 5-3/4"	670240430143	18.74
P6000-P8-3	Offset Support Rod	670240643536	21.92
P6000-P15	Bottom Tube	670240420700	17.28
P6000-P50	Optional Wall Plate for ZH Push Button Assembly	670240417519	44.29
P6000-P15-LO	Bottom Tube for Lower Offset	670240429161	45.85
P6000-PN18	Spray Arm Assembly, 12"	670240610750	93.44
P6000-PN19	Spray Arm Repair Kit (Includes O-Ring, Spray Disc, Screen, and Screw)	670240609044	10.63
P6000-PN20	Elbow Assembly	670240618268	81.98
P6000-PN21	Diverter Body	670240612754	120.67
P6000-PN22	Bedpan Diverter Rebuild Kit (Includes P6000-PN19 and P6000-PN20)	670240607835	14.88

Q – Miscellaneous Flush Connections and Elbows for AquaVantage® and Aquaflush® Concealed Valves

PRODUCT NO.	DESCRIPTION	UPC	LIST PRICE
Flush Connections and Elbows			
P6000-QT1-4-CP	1-1/2" x 4" Flanged Tube - CP	670240417281	14.66
P6000-QT1-6-CP	1-1/2" x 6" Flanged Tube - CP	670240417304	17.17
P6000-QT1-8-CP	1-1/2" x 8" Flanged Tube - CP	670240417328	21.92
P6000-QT1-10-CP	1-1/2" x 10" Flanged Tube - CP	670240417342	24.66
P6000-QT1-12-CP	1-1/2" x 12" Flanged Tube - CP	670240417366	27.51
P6000-QT1-16-CP	1-1/2" x 16" Flanged Tube - CP	670240413177	36.68
P6000-QT1-18-CP	1-1/2" x 18" Flanged Tube - CP	670240417397	41.83
P6000-QT3-4-RB	1-1/2" x 4" Flanged/Scored Tube - RB	670240417243	17.28
P6000-QT3-6-RB	1-1/2" x 6" Flanged/Scored Tube - RB	670240417250	25.78
P6000-QT3-8-RB	1-1/2" x 8" Flanged/Scored Tube - RB	670240417267	30.76
P6000-QT3-10-RB	1-1/2" x 10" Flanged/Scored Tube - RB	670240417205	35.34
P6000-QT3-12-RB	1-1/2" x 12" Flanged/Scored Tube - RB	670240417212	41.05
P6000-QT3-16-RB	1-1/2" x 16" Flanged/Scored Tube - RB	670240417229	54.58
P6000-QT3-18-RB	1-1/2" x 18" Flanged/Scored Tube - RB	670240417236	61.46
P6000-QT4	P30 Flat Gasket	670240417182	6.44
P6000-QE1-CP	1" Street Elbow - CP	670240417472	23.49
P6000-QE2-CP	1" Female x 1" Female Elbow - CP	670240417489	43.67
P6000-QE3-CP	1-1/2" Male x 1-1/2" Male Elbow with Nut and Gaskets - CP	670240413160	40.04
P6000-QE3-RB	1-1/2" Male x 1-1/2" Male Elbow with Nut and Gaskets - RB	670240417496	29.20
P6000-QE5-RB	1-1/4" x 12" Waste Arm - RB	670240417427	29.53
P6000-QE6-RB	3/4" x 3/4" Solder Elbow	670240499409	13.09
Flush Assemblies			
P6000-QFC-1	Z6140 1-1/2" Back Spud Flush Assembly (Specify 'L' Dim.)	-	170.19
P6000-QFC-2	Z6142 1-1/2" Top Spud Flush Assembly (Specify 'L' Dim.)	-	224.50
P6000-QFC-3	Z6143 1-1/2" Back Spud Flush Assembly (Specify 'L' Dim.)	-	140.41
P6000-QFC-4	Z6144 1-1/2" Back Spud Flush Assembly (Specify 'L' Dim.)	-	140.41
P6000-QFC-5	Z6150, ZH6150 Flush Assembly	670240417458	65.44
P6000-QFC-6	Z6152, Z6605, Z6611 1-1/2" Back Spud Flush Assembly (Specify 'L' Dim.)	-	119.47
P6000-QFC-7	Z6154 1-1/2" Back Spud Flush Assembly (Specify 'L' Dim.)	-	155.28
P6000-QFC-8	Z6155 1-1/2" Top Spud Flush Assembly (Specify 'L' Dim.)	670240419469	201.35
P6000-QFC-9	Z6190, ZH6190 1-1/4" Back Spud Flush Assembly (Specify 'L' Dim.)	670240417465	68.24
P6000-QFC-10	Z6195, Z6613, Z6615, ZH6195 3/4" Back Spud Flush Assembly (Specify 'L' Dim.)	670240448094	60.61
P6000-QFC-11	ZH6140 1-1/2" Back Spud Flush Assembly (Specify 'L' Dim.)	-	139.87
P6000-QFC-12	ZH6142 1-1/2" Top Spud Flush Assembly (Specify 'L' Dim.)	670240536722	161.26
P6000-QFC-13	Z6603, Z6616, ZH6152 1-1/2" Back Spud Flush Assembly (Specify 'L' Dim.)	670240420892	105.21
P6000-QFC-14	Z6601 1-1/2" Back Spud Flush Assembly (Specify 'L' Dim.)	-	113.27
P6000-QFC-15	Z6602, Z6609 1-1/2" Back Spud Flush Assembly (Specify 'L' Dim.)	-	105.21
P6000-QFC-16	Z6681 1-1/2" Back Spud Flush Assembly (Specify 'L' Dim.)	-	134.82
P6000-QFC-17	Z6096 - 39" Rough-in - Eastern Style Water Closet - 1-1/4" Flush Assembly	670240417434	160.32
P6000-QFC-18	Z6196 - 39" Rough-in - Eastern Style Water Closet - 1-1/4" Flush Assembly	670240417441	150.13
P6000-QFC-19	Z6197-N 3/4" Top Spud Flush Assembly (Specify 'L' Dim.)	670240448476	179.19
P6000-QFC-21	Z6099 Flush Assembly	670240427853	180.13
P6000-QFC-20	Top Flush Assembly for Z6320AV	670240420045	158.19
P6000-QFC-22	Top Flush Assembly for Z6300AV and Z6310AV	670240517110	180.23
P6000-QFC-23	Bottom Flush Assembly for Z6300AV, Z6310AV, Z6320AV	670240538092	193.78
P6000-QFC-24	Flush Assembly for Z6000 Valves 1-1/2" Top Spud Connection	084169002815	53.81
P6000-QFC-27	Flush Connection for Z6010 Valves	670240619340	140.41
P6000-QFC-28	Water Inlet Connection for Z6010	670240638396	166.03
P6003-QFC-25	Flush Assembly for Z6003 Valves 3/4" Top Spud Connection	670240554139	53.81

When ordering parts, always list product number and description.

For additional product information, please visit www.zurn.com.

TPO – Trap Primer Parts for AquaVantage® and Aquaflush® Valves

Full Trap Primer Assemblies can be found in the Flush Valve Products section of this price guide.

PRODUCT NO.	DESCRIPTION	UPC	LIST PRICE
P6000-R1	Elbow Insert for Trap Primer (for -WS1 Valves)	670240431539	23.09
P6000-TPE	Trap Primer Elbow (for Concealed Valves)	670240441330	49.31
P6000-TPF	Trap Primer Fittings (for Exposed Valves)	670240448407	33.57

Y – Miscellaneous Valve Parts and Accessories

PRODUCT NO.	DESCRIPTION	UPC	LIST PRICE
P6000-YB	1" Sweat Solder Kit - Cover Tube and Adaptor - Exposed Flush Valve	670240413139	11.36
P6003-YB	3/4" Sweat Solder Kit - Cover Tube and Adaptor - Exposed Flush Valve	670240412606	11.36
P6000-YBYC	1" Sweat Solder Kit with Cast Wall Flange	670240415959	30.67
P6003-YBYC	3/4" Sweat Solder Kit with Cast Wall Flange	670240415966	30.67
P6000-YBA	1" Sweat Solder Kit - Concealed Flush Valve	670240450424	4.95
P6003-YBA	3/4" Sweat Solder Kit - Concealed Valve	670240419452	4.95
P6000-YC	1" Cast Wall Flange	670240413115	19.21
P6003-YC	3/4" Cast Wall Flange	670240412620	19.21
P6000-YJ	5" C to E Split Ring Pipe Support	670240413122	51.72
P6000-YJ8	8" C to E Split Ring Pipe Support	670240413061	76.90
P6000-YJ12	12" C to E Split Ring Pipe Support	670240417175	103.17
P6000-YK	5" C to E Solid Ring Pipe Support	670240413009	43.12
P6000-YK8	8" C to E Solid Ring Pipe Support	670240413016	65.11
P6000-YK12	12" C to E Solid Ring Pipe Support	670240417144	91.16
P6000-YB-CVR	1" Cover Tube for Sweat Solder Kit (3" Long)	670240413078	12.63
P6000-YB-CVR7	1" Cover Tube for Sweat Solder Kit (7" Long)	670240413092	27.10
P6000-YB-CVR36	1" Cover Tube for Sweat Solder Kit (36" Long)	670240413085	81.29
P6003-YB-CVR	3/4" Cover Tube for Sweat Solder Kit (3" Long)	670240417090	12.63
P6003-YB-CVR7	3/4" Cover Tube for Sweat Solder Kit (7" Long)	670240412613	27.10
P6003-YB-CVR36	3/4" Cover Tube for Sweat Solder Kit (36" Long)	670240433229	81.29
P6000-19	Valve Body Only - CP	670240449077	81.29
P6000-19-RB	Valve Body Only - RB	670240502215	67.36
P6000-19-J1	Valve Body with -J1 Tailpiece - CP	670240459694	93.25
P6000-YE	Cover Tube and Adapter for -YB Kit - 1"	670240417151	10.26
P6003-YE	Cover Tube and Adapter for -YB Kit - 3/4"	670240441163	10.26
P6000-YO	Bumper on Control Stop	670240413023	13.12
P6000-YH	One Wall Bumper	670240416260	41.97
P6199-SC-1	1" Long VP Screw and Escutcheon for Access Panel	670240433519	1.87
P6199-SC-2	2" Long VP Screw and Escutcheon for Access Panel	670240504684	5.05
P6199-VPW	Wrench for Z6199 Access Panel Screws	670240425637	1.05

ZH – Hydraulic Series Flush Valve Repair Kits and Parts for AquaVantage and Aquaflush Valves

PRODUCT NO.	DESCRIPTION	UPC	LIST PRICE
Push Button Assemblies			
PH6000-HYA-FW	Hydraulic Actuator Assembly - Fixture Wall	670240419049	59.89
PH6000-HYA-SW	Hydraulic Actuator Assembly - Side Wall	670240419056	80.12
PH6000-HYL-MB	Hydraulic Metal Push Button Assembly	670240414815	136.38
PH6000-HYL3-FW	Hydraulic Large Push Button Assembly - Fixture Wall	670240414822	106.86
PH6000-HYLP-MBP	Hydraulic Metal Push Button for Penal Use	670240419063	118.58
PH6000-SHYL3-SW	Hydraulic Large Push Button Assembly - Side Wall	670240419087	166.68
Repair Parts			
PH6000-HY9	Mounting Plate	670240419032	34.72
PH6000-HY8	Securing Nut	670240419025	3.75
PH6000-HY6	Escutcheon for Small Push Button	670240419001	21.20
PH6000-HY7	Escutcheon for Large Push Button	670240419018	38.97
PH6000-HY10	Spring for Small Push Button	670240418844	5.01
PH6000-HY17	Spring for Large Push Button	670240418882	1.35
PH6000-HY11	Spacer for Large Push Button	670240414730	9.17
PH6000-HY12	Small Push Button	670240418851	13.70
PH6000-HY15	Large Push Button	670240418868	5.32
PH6000-HY1	1/8" Compression Fitting for Actuator Body (2 Req'd.) - Fixture Wall	670240414723	7.16
PH6000-HY32	1/8" 90° Compression Fitting for Actuator Body - Side Wall	670240418974	8.28
PH6000-HY2	1/16" Compression Fitting for Flush Valve Body	670240414754	10.63
PH6000-HYA11	Repair Kit for Hydraulic Actuator	670240414808	18.62
PH6000-HYM	Hydraulic Plunger Assembly	670240414839	61.79
PH6000-HYM11	Repair Kit for Hydraulic Plunger Assembly	670240419070	33.05
PH6000-HY18	Handle Assembly Gasket (2 Req'd.)	670240418899	0.51
PH6000-HY19	Chrome Cover Plate - For Supply and Return - CP	670240414747	66.10
PH6000-HY20	Supply Cover Tube - CP 3-3/8" Long	670240418905	10.63
PH6000-HY20L	Supply Cover Tube for Floor Mounted Closet - CP 4-5/8" Long	670240454118	30.47
PH6000-HY21	Return Cover Tube - CP 2-3/4" Long	670240418912	10.63
PH6000-HY21L	Return Cover Tube for Floor Mounted Closet - CP 4" Long	670240454101	29.90
PH6000-HY22	Supply Cover Tube Ring with Setscrew	670240416468	14.09
PH6000-HY23	Return Cover Tube Ring with Setscrew	670240416451	14.09
PH6000-HY24	Setscrew for Rings	670240418929	0.51
PH6000-HY25	1/4" Black Supply Tube 36" Long	670240414761	11.41
PH6000-HY26	1/4" Clear Return Tube 36" Long	670240414778	11.41
PH6000-HY29	Support Plate	670240418950	11.86
PH6000-HY27	Threaded Rod - Included in PH6000-HY29A	670240418936	3.03
PH6000-HY28	Nut (2 Req'd.) - Included in PH6000-HY29A	670240418943	0.68
P6000-P50	Optional P50 Wall Plate	670240417519	44.29
PH6000-HY35	Vandal-Resistant Hex Socket Head Screw for Cover Plate - 1/2"	670240414792	1.35
PH6000-HY36	Ferrule for 1/8" Compression Fitting	670240456280	0.51
PH6000-HY37	Ferrule for 1/16" Compression Fitting	670240456631	0.51
PH6000-HY40	Flat Support Bracket	670240455580	8.67

FLUSH VALVES

FAUCETS

TEMP-GARD®

TUBULAR BRASS

FIXTURES

AQUAPARTS REPAIR PARTS
AND ASSEMBLIES

ZEMS – AquaSense® ZEMS Electronic Sensor Replacement Parts

PRODUCT NO.	DESCRIPTION	UPC	LIST PRICE
PEMS6000-26	Sensor for Closet ZEMS	670240515246	302.43
PEMS6000-26A	Sensor for Urinal ZEMS	670240526716	302.43
PEMS6000-CON-KIT	Conversion Kit For ZEMS - Concealed Valves	670240526747	652.29
PEMS6000-CON-KIT-IS	Conversion Kit For ZEMS - Exposed Valves	670240622579	652.29
PEMS6000-HYM	Actuator Assembly for ZEMS Valves - Concealed	670240511583	330.78
PEMS6000-HYM-IS	Actuator Assembly for ZEMS Valves - Exposed	670240601673	416.94
PEMS6000-HYM-IS-FM12	Actuator Assembly for 12" rough in	670240605176	460.84
PEMS6000-FM12	Extended Cable and Rod for 12" Floor Mount Rough-In	670240528192	43.89
PEMS6000-G	Wall Flange	670240587274	24.44
PEMS6000-G-SS	Wall Flange Setscrew	670240641112	1.35
PH6000-HY35	Vandal-Resistant Hex Socket Head Screw for Cover Plate - 1/2"	670240414792	1.35
PESS6000-22	Closet Sensor Cover Plate with Override Hole 4 x 4	670240412415	66.26
PESS6000-22A	Urinal Sensor Cover Plate 2 x 4	670240412354	41.33
PESS6000-22B	Closet Sensor Cover Plate without Override Hole 4 x 4	670240452411	66.26
PESS6000-22C	Closet Sensor Cover Plate - Solid - No Holes - 4 x 4	670240462137	66.26
PESS6000-22D	Urinal Sensor Cover Plate - Solid - No Holes - 2 x 4	670240523685	41.33
PESS6000-23	Closet Bracket	670240418769	3.03
PESS6000-24	Override Push Button Assembly	670240412279	32.55
PESS6000-25	Yoke	670240418776	10.35
PESS6000-27	Bracket Screws (Set of 2)	670240412309	0.18
PESS6000-28	Yoke Screws (Set of 2)	670240418783	0.28
P6000-PC6	6 VDC Power Converter	670240413153	45.80
P6000-HW6	Hardwire Power Converter for ZEMS and ZESS Flush Valves	670240533608	72.24
PEMS6000-IS-CW	Connecting Wire for ZEMS-IS Assembly – 10' Long	670240609303	5.60
P6000-MJ	Mini Junction Box	670240419803	250.82

ZERK – AquaSense® E-Z Flush Battery Sensor Replacement Parts

PRODUCT NO.	DESCRIPTION	UPC	LIST PRICE
PERK6000-BD	Battery Drawer	670240534360	17.06
PERK6000-CWR	Handle Nut Wrench	670240478695	17.06
PERK6000-L-CPCR	Chrome Plastic Cover (New Style Round Lens)	670240586062	17.06
PERK6000-L-CPMCR	Chrome Metal Cover (New Style Round Lens)	670240596764	95.73
PERK6000-RK	Repair Kit (Includes: O-Ring, Courtesy Button Cap, Collar Gasket, Rod, Seal)	-	
PERK6000-SCR	Replacement Sensor Lens (New Style Round Lens)	670240606630	6.21
PERK6000-W	Allen Wrench	670240534919	3.03
PERK6000-SR	Sensor Module (New Style Round Lens)	670240602359	257.26
PERK6000-BUTTON	Manual Override Replacement Button	670240576193	1.96
PERK6000-BUTTON-HARD	Hard Plastic Manual Override Button for EZ CPM	670240664609	2.04
PERK6000-MRK	Plunger Assembly Repair Kit	670240620438	6.21
PERK6000-W-TC	Hollow Hex Wrench for Pin Battery Screw	670240623910	2.69
PERK6000-MO	Motor Operator for Concealed E-Z Flush	670240649422	257.26

ZR – AquaSense® RetroFlush® Battery Sensor Replacement Parts

PRODUCT NO.	DESCRIPTION	UPC	LIST PRICE
PR6000-5	Sensor Lens Screws	670240414846	0.51
PR6000-B	Solenoid Valve Retainer Clip	670240414853	3.64
PR6000-E13F	Trip Mechanism (Riser Tube) with Filter	670240518216	23.38
PR6000-E14	Retainer Disc and Filter Assembly	670240414877	36.01
PR6000-EC-FF	Closet Replacement Kit - 4.5 gal.	670240414884	68.67
PR6000-EC-WS	Water-Saving Closet Replacement Kit - 3.5 gal.	670240414891	68.67
PR6000-EC-WS1	Low-Consumption Closet Replacement Kit - 1.6 gal.	670240576599	68.67
PR6000-EC25	Black Volume Control - 4.5 GpF	670240414914	4.15
PR6000-EC25-WS	White Volume Control - 3.5 GpF	670240414921	4.15
PR6000-EC25-WS1	Orange Volume Control - 1.6 GpF	670240414938	4.15
PR6000-EG	Guide Assembly	670240414945	8.84
PR6000-EG-WS1	Guide Assembly - 1.6 gal.	670240414952	19.13
PR6000-EU	Urinal Replacement Kit - 3.0 gal.	670240414969	68.67
PR6000-EU-WS	Water-Saving Urinal Replacement Kit - 1.5 gal.	670240414976	68.67
PR6000-EU-WS1	Low-Consumption Urinal Replacement Kit - 1.0 gal.	670240576605	68.67
PR6000-EU25	Orange Volume Control - 3.0 GpF	670240414990	4.15
PR6000-EU25-WS	Green Volume Control - 1.5 GpF	670240415003	4.15
PR6000-EU25-WS1	Yellow Volume Control - 1.0 GpF	670240415010	4.15
PR6000-K25	Set of Volume Controls (One Each)	670240415027	12.70
PR6000-M	Solenoid Valve Replacement Kit - Includes Solenoid, Quad Ring, Retainer Cli, -M10 Handle Gasket and Grease	670240415034	75.49
PR6000-M9A	Solenoid O-Ring	670240415041	0.79
PR6000-MB	Battery Holder with Connecting Cable	670240576612	8.00
PR6000-MBB	Battery Holder with Connecting Cable with Batteries	670240415065	20.58
PR6000-RP	Retro Plug	670240415096	1.85
PR6000-SC3	Sensor Screws	670240415119	0.68
PR6000-SH	Sensor Kit - Closet	670240415126	311.33
PR6000-SL	Sensor Kit - Urinal	670240415140	311.33
PR6000-SH-DF	Sensor Kit - Dual Flush Closet	670240478510	383.06
PR6000-E15A	Retroflush Diaphragm	670240515222	7.39
PR6000-23A	Metal Cover Screw and O-Ring	670240526631	6.21
PR6000-W	Vandal-Resistant Cover Wrench	670240576636	2.19
PR6000-20-G3	O-Ring Seal for Metal Cover - Oval G3	670240554948	3.53
PR6000-MC-G3	Oval Style Metal Cover - G3	670240543980	39.09
PR6000-MC-OB-G3	Oval Style Metal Cover with Override Button - G3	670240535527	98.58
PR6000-E13F-1	Quad Ring for Filtered Riser Tube	670240527041	4.26
PR6000-KIT	RetroFlush Repair Kit (Includes Solenoid Valve, Filtered Riser Tube, Diaphragm, Handle Gasket, Retainer Clip, Battery Connecting Cable, Silicone Lubricant and Instruction Sheet)	670240535619	99.25

ZTS – EcoVantage® Battery Sensor Flush Valves – ZTS Series

PRODUCT NO.	DESCRIPTION	UPC	LIST PRICE
PTS6200-EL	DISCONTINUED - Electronics LENS ASSEMBLY	670240377905	345.66
PTS6200-LL-CP	Valve Cover	670240378230	109.42
PTS6200-M	Solenoid Assembly	670240384750	180.61
PTS6200-SK	Solenoid Assembly Screws (6); Hex Head	670240378261	33.50
PTS6200-24	Manual Override Button Assembly	670240261655	32.55
PTS6200-J1	2.18" Tailpiece	670240385177	20.41
PTS6200-J2	2.8" Tailpiece	670240365025	24.33
PTS6200-J3	3.44" Tailpiece	670240364639	29.42
PTS6200-J4	4.06" Tailpiece	670240364646	34.45
PTS6200-J5	4.68" Tailpiece	670240441965	40.04
PTS6200-HET	ZTS Piston Assembly	670240378247	103.22
PTS6200-PC	Piston, Cover & Solenoid with Screws	670240378278	188.32
PTS6200-PISTON-RK	ZTS Piston Repair Kit	670240451841	99.20

When ordering parts, always list product number and description.

For additional product information, please visit www.zurn.com.

ZTR – EcoVantage® Battery Sensor Flush Valves – ZTR Series

PRODUCT NO.	DESCRIPTION	UPC	LIST PRICE
PTR6200-24	Manual Override Button Assembly	670240796690	32.60
PTR6200-EC	ZTR Piston Kit	670240796546	45.63
PTR6200-HAS	Valve Housing	-	
PTR6200-L-S	Cover Screw	670240796720	16.31
PTR6200-M	Solenoid Replacement Kit	670240796539	63.52
PTR6200-M-RING	Flange O-Ring	670240796706	12.31
PTR6200-M-S	Flange Screw	670240796713	16.31
PTR6200-L-1.28	1.28 gpf Valve Cap	670240809123	218.06
PTR6200-L-1.6	1.6 gpf Valve Cap	670240809239	218.06
PTR6200-L-1.1	1.1 gpf Valve Cap	670240045095	218.06
PTR6200-L-1.0	1.0 gpf Valve Cap	670240809222	218.06
PTR6200-L-0.5	0.5 gpf Valve Cap	670240809215	218.06
PTR6200-L-0.25	0.25 gpf Valve Cap	-	218.06
PTR6200-L-0.125	0.125 gpf Valve Cap	670240849990	218.06
PTR6200-24	Manual Override Button Assembly	670240796690	32.60
PTR6200-BAT-LITH	Lithium Battery for ZTR Valves	670240846944	35.35
PTR6200-BATT	Sealed Battery Housing	889934001525	29.69
PTR6200-EC	Piston Kit	670240796546	45.63
PTR6200-FA	ZTR Closet 1.1/1.28/1.6 gpf Tailpiece Filter	889934068122	8.52
PTR6200-HSA	Valve Housing	670240793422	207.95
PTR6200-HW-L-0.125	ZTR-HW Sensor Cap Assembly (1.25 gpf)	670240046559	250.28
PTR6200-HW-L-0.25	ZTR-HW Sensor Cap Assembly (0.25 gpf)	670240046610	250.28
PTR6200-HW-L-0.5	ZTR-HW Sensor Cap Assembly (0.5 gpf)	670240046283	250.28
PTR6200-HW-L-1.0	ZTR-HW Sensor Cap Assembly (1.0 gpf)	670240045149	250.28
PTR6200-HW-L-1.1	ZTR-HW Sensor Cap Assembly (1.1 gpf)	670240046023	250.28
PTR6200-HW-L-1.28	ZTR-HW Sensor Cap Assembly (1.28 gpf)	670240046054	250.28
PTR6200-HW-L-1.6	ZTR-HW Sensor Cap Assembly (1.6 gpf)	670240046207	250.28
PTR6200-HW-TUBE	ZTR-HW Wire Supply Tube	889934066036	9.59
PTR6200-HW-TUBE-1	ZTR-HW 12" Rough In WH Tube 5.50"	889934101720	10.25
PTR6200-L-0.125	ZTR Replacement for 0.125 Valve	670240849990	218.06
PTR6200-L-0.25	ZTR Replacement for 0.25 Valve	-	218.06
PTR6200-L-0.5	ZTR Replacement for 0.5 Valve	670240809215	218.06
PTR6200-L-1.0	ZTR Replacement for 1.0 Valve	670240809222	218.06
PTR6200-L-1.1	ZTR Sensor Cap Assembly (1.1 gpf)	670240045095	218.06
PTR6200-L-1.28	ZTR Replacement for 1.28 Valve	670240809123	218.06
PTR6200-L-1.6	ZTR Replacement for 1.6 Valve	670240809239	218.06
PTR6200-L-S	Cover Screw	670240796720	16.31
PTR6200-M	Solenoid Replacement KIT	670240796539	63.52
PTR6200-M-RING	Flange O-Ring	670240796706	12.31
PTR6200-M-S	Flange Screw	670240796713	16.31
PTR6203-EU	Piston Kit (0.5/1.0 gpf)	670240841154	44.76
PTR6203-EU-ULF	.125 gal Piston Kit	670240846739	44.76
PTR6203-FA	ZTR Urinal 1.0/0.5 gpf Tailpiece Filter	889934068115	8.52
PTR6203-FA-LF	ZTR Urinal 0.125/0.250 gpf Tailpiece Filter	889934068108	8.52

Z5795 Waterfree Urinal Parts

PRODUCT NO.	DESCRIPTION	UPC	LIST PRICE
P5795-1	Strainer for Waterfree Urinal	670240666207	7.79
P5795-2	Bell Trap for Waterfree Urinal	670240664357	4.06
P5795-3	Bell Trap O-Ring for Waterfree Urinal	670240664364	2.50
P5795-4	Ferrule for Waterfree Urinal	084169005632	1.42
P5795-5	Ferrule Nut for Waterfree Urinal	670240395541	1.95
P5795-6	Ferrule Nut and Ferrule for Waterfree Urinal	670240780316	2.93
P5795-7	Flange Gasket for Waterfree Urinal	670240395558	5.03
P5795-8	Flange for Waterfree Urinal	670240395565	14.50
P5795-9	Flange and Gasket for Waterfree Urinal	670240780323	18.94
P5795-10	Strainer Removal Tool for Waterfree Urinal	670240391277	36.24
ZGS-128OZ	Gallon Bottle of AquaGreen Sealant for Z5795 Waterfree Urinal	670240646926	104.21
ZGS-32OZ	Quart Bottle of AquaGreen Sealant for Z5795 Waterfree Urinal	670240646919	26.61
ZGS-04OZ	4 oz. Bottle of AquaGreen Sealant for Z5795 Waterfree Urinal	670240646902	7.14

ZBF – AquaSense® E-Z Sensor-Operated Faucets Replacement Parts

PRODUCT NO.	DESCRIPTION	UPC	LIST PRICE
Aerators for Z6913-XL and Z6915-XL			
P6900-20E	1.5 gpm Standard Vandal-Resistant Aerator (Models Z6913-XL, Z6915-XL, Z6918-XL)	670240606852	25.51
P6900-20E-CG	1.5 gpf LAM STD VP Aerator (MOD 6901,6912,6913,6914,6915,6903-77)	670240356580	25.51
P6900-20F	0.5 gpm Vandal-Resistant Non-Aerated Flow Outlet (Models Z6913-XL and Z6915-XL)	670240600850	25.51
P6900-20J	1.5 gpm Vandal-Resistant Laminar Flow Outlet (Models Z6913-XL and Z6915-XL)	670240245266	25.51
P6900-20K	1.0 gpm Vandal-Resistant Laminar Flow Outlet (Models Z6913-XL and Z6915-XL)	670240252936	25.51
P6900-20L	1.0 gpm Vandal-Resistant Aerator (Models Z6913-XL and Z6915-XL)	670240261204	25.51
P6900-20M	0.35 gpm Vandal-Resistant Non-Aerated Flow Outlet (Models Z6913-XL and Z6915-XL)	670240290334	25.51
P6900-20N	0.5 gpm Laminar Flow Outlet (Models Z6913-XL, Z6915-XL)	670240834163	25.51
P6900-21	Vandal-Resistant Aerator Wrench	670240417014	2.15
Slim Aerators for Z6913-XL and Z6915-XL Series			
P6900-20ES	1.5 gpm Slim Fit Vandal-Resistant Aerator	-	17.57
P6900-20FS	0.5 gpm Slim Fit Vandal-Resistant Non-Aerated Spray Outlet	-	17.57
P6900-20JS	1.5 gpm Slim Fit Vandal-Resistant Laminar Flow Outlet	-	17.57
P6900-20LS	1.0 gpm Slim Fit Vandal-Resistant Flow Outlet	-	17.57
P6900-20MS	0.35 gpm Slim Fit Vandal-Resistant Non-Aerated Spray Outlet	-	17.57
P6900-20WR	Slim Aerator Wrench for P6900-SERIES	889934082494	#N/A!
Aerators for Z6920-XL and Z6922-XL			
P6900-20E-GN	1.5 gpm Standard Vandal-Resistant Aerator (Models Z6920-XL, Z6922-XL)	670240261389	47.73
P6900-20E-GN-CG	1.5 gpm LAM AER F/6902, 6903-75,6903-76, 6920, 6922	670240356566	48.11
P6900-20F-GN	0.5 gpm Vandal-Resistant Gooseneck Non-Aerated Flow Outlet (Models Z6920-XL and Z6922-XL)	670240609099	47.73
P6900-20-GN	0.5 gpm VANDAL RES. GN AER. F/(6902,6903-75, 6903-76, 6920M)	670240417052	47.73
P6900-20J-GN	1.5 gpm Vandal-Resistant Laminar Flow Gooseneck Outlet (Models Z6920-XL and Z6922-XL)	670240245273	47.73
P6900-20K-GN	1.0 gpm Vandal-Resistant Laminar Flow Gooseneck Outlet (Models Z6920-XL and Z6922-XL)	670240258860	47.73
P6900-20L-GN	1.0 gpm Vandal-Resistant Aerator (Models Z6920-XL and Z6922-XL)	670240442405	47.73
P6900-20M-GN	0.35 gpm Vandal-Resistant Non-Aerated Flow Outlet (Models Z6920-XL and Z6922-XL)	670240709058	47.73
P6900-20N-GN	0.5 gpm Laminar Flow Outlet (Models Z6920-XL)	-	47.73
P6900-21	Vandal-Resistant Aerator Wrench	670240417014	2.15

PRODUCT NO.	DESCRIPTION	UPC	LIST PRICE
Aerators for Z6930-XL, Z6950-XL, Z6950-XL-IM, Z6951-XL and Z6955-XL			
P6930-20E	1.5 gpm Cache Style Pressure Compensating Aerator	670240809130	17.23
P6930-20F	0.5 gpm Cache Style Non-Aerated Spray Outlet	670240809147	17.23
P6930-20J	1.5 gpm Cache Style Laminar Flow Outlet	670240809154	17.23
P6930-20K	1.0 gpm Cache Style Laminar Flow Outlet	670240809178	17.23
P6930-20L	1.0 gpm Cache Style Aerated Spray Outlet	670240809185	17.23
P6930-20M	0.35 gpm Cache Style Non-Aerated Spray Outlet	670240809192	17.23
P6930-20N	0.5 gpm Cache Style Laminar Flow Outlet	670240834156	17.57
P6930-20WR	Cache Style Aerator VP Wrench for Z6930-XL (Plastic)	670240809208	17.57
Filters, Supply Hoses and Mixing Options for Sensor Faucets			
P6900-IA3	1/2" Female x 3/8" Male Faucet Shank Adapter	670240424104	11.53
P6900-120BC	Composite Filter Assembly	670240847613	35.49
P6900-XL-ADM	Above Deck Mixing Valve	-	189.83
P6900-ADM-1-H4-XL	Lead-Free Above Deck Mixing Valve with CP4 for Z6912,13,20 'H4 Handle	670240861848	358.48
P6900-ADM-1-XL	Lead-Free Above Deck Mixing Valve Mounted on a CP4 Plate	670240861824	240.34
P6900-ADM-2-H4-XL	Lead-Free Above Deck Mixing Valve with CP8 for Z6912,13,20 'H4 Handle	670240861930	358.48
P6900-ADM-2-XL	Lead-Free Above Deck Mixing Valve with CP8 for Z6912, Z6913, Z6920	670240861831	266.09
P6900-ADM-H4-XL	Lead-Free Above Deck Mixing Valve for Z6912,13,20 'H4 Handle	670240861947	208.89
P6900-H4	4" Wristblade Handle for ADM	670240629219	15.59
P6900-XL-MT	Mixing Tee with Filters and Backchecks	-	41.64
P6900-XL-MT-1	Filter and Backcheck Assembly (one) for Mixing Tee	-	17.57
P6900-MV-XL	Lead-Free Mixing Valve with Filter	670240387010	97.19
P6900-MV-4	Backcheck	670240456747	9.77
P6900-MV-5	Ferrule	670240556591	1.33
P6900-MV-6	Nut	670240533653	2.53
P6900-MV-7	Filter Screen	670240539075	7.39
P6900-MV-8	Filter Cap Gasket	670240600041	0.67
P6900-MVF-8	Filter Cap O-Ring	670240456754	0.67
P6900-MV-9	Filter Cap	670240600058	7.25
P6900-MV-ADAP	Mixing Adaptor Assembly	670240847583	17.12
P6900-SH-XL	Lead-Free Supply Hose	670240485471	47.73
P6900-SSH	Single Stainless Supply Hose (3/8" F x 1/2" F x 18")	670240432789	17.12
P6900-SSH-2	Dual Stainless Supply Hose - 3/8" x 3/8" x 12" Long (Supply Hose from Stop to MV)	670240412446	15.78
P6900-SSH-3	Supply Hose 3/8" X 3/8" X 12" Long	889934070903	#N/A!
P6900-XL-TMV-1	Thermostatic Mixing Valve for Single Faucet (Lead-Free)	-	240.24
P6900-XL-TMV	Thermostatic Mixing Valve for Multiple Faucets - 8 gpm Flow (Lead-Free)	-	253.07
Cover Plates			
P6900-CP4	4" Cover Plate (New Style) for Z6913-X and Z6920-XL Faucets	670240586758	50.72
P6900-CP4-1	4" Cover Plate with Hole for ADM Fits Z6913-XL Faucet	670240365087	63.47
P6900-CP4-GSK	4" Cover Plate Gasket for Z6913-XL, and Z6920-XL Faucets (Z6930-XL)	670240645981	9.49
P6900-CP8	8" Cover Plate (New Style) for Z6913-XL and Z6920-XL Faucets	670240586765	84.27
P6900-CP8-2	8" Cover Plate with Hole for ADM Fits Z6913-XL Faucet	670240634251	105.42
P6900-CP8-GSK	8" Cover Plate Gasket for Z6913-XL, and Z6920-XL Faucets (Z6930-XL)	670240615694	12.45
Power Options			
P6900-ACA	ACA Plug-in Power Converter 6 VDC for Z6913-XL, Z6915-XL, Z6920-XL, and Z6922-XL	670240582446	32.21
P6900-CWB	Connecting Wire for Battery Faucets (Z6913-XL, Z6915-XL, Z6920-XL, and Z6922-XL)	670240586000	5.60
P6900-CWB-1	20' Cord for Z6900 Faucets	670240651029	12.56
P6000-HW6	Hardwired Power Converter for Battery Faucets (Z6913-XL, Z6915-XL, Z6920-XL, and Z6922-XL)	670240533608	72.24
P6000-MJ	Mini Junction Box	670240419803	250.82
P6900-GEN	Lead-Free Hydrogenerator for Battery Faucets	670240404151	434.4
P6900-GEN-BAT	Lithium Battery for Hydro Gen Faucet	670240446656	158.73

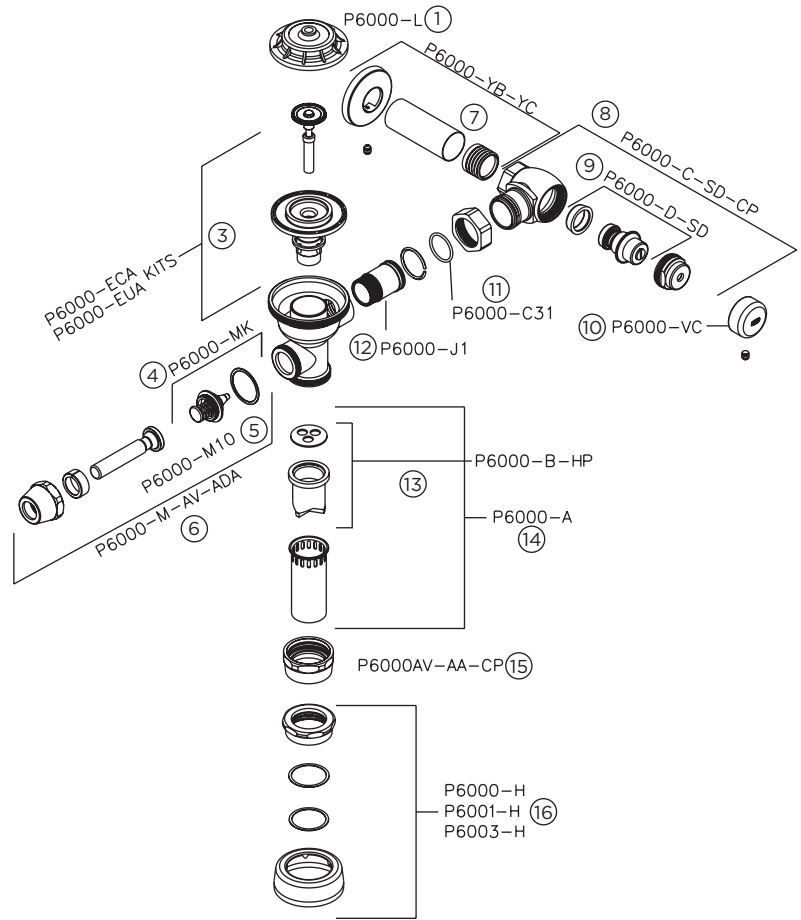
PRODUCT NO.	DESCRIPTION	UPC	LIST PRICE
Z6913-XL Series Parts			
P6913-WEDGE	Wedge Gasket used on the Z6913 Faucet	670240616103	9.16
P6913-XL-1	Z6913 Lead-Free Spout Assembly	670240802506	430.56
P6900-BAT-AA	AA Battery	670240573819	2.31
P6900-B-BD	Battery Drawer for Z6913-XL, Z6915-XL, Z6920-XL, and Z6922-XL	670240412507	23.49
P6900-B-L	Electronics Module for Z6913-XL, Z6915-XL, Z6920-XL, and Z6922-XL	670240576582	426.23
P6900-SRK	Solenoid Rebuild Kit (Diaphragm, plunger and plunger spring)	670240574908	63.35
P6900-SG	Shank Connection Gasket	670240575813	1.74
Z6915-XL Series Parts			
P6915-42	Base Plate Gasket	670240616752	6.88
P6915-MOUNTING-KIT	Mounting Hardware for Z6915 Faucet	670240403352	20.9
P6915-WEDGE	Wedge Gasket used on the Z6915 Faucet	670240621633	8.12
P6915-XL-1	Z6915 Lead-Free Spout Assembly	670240802513	465.34
P6900-BAT-AA	AA Battery	670240573819	2.31
P6900-B-BD	Battery Drawer for Z6913-XL, Z6915-XL, Z6920-XL, and Z6922-XL	670240412507	23.49
P6900-B-L	Electronics Module for Z6913-XL, Z6915-XL, Z6920-XL, and Z6922-XL	670240576582	426.23
P6900-SRK	Solenoid Rebuild Kit (Diaphragm, plunger and plunger spring)	670240574908	63.35
P6900-SG	Shank Connection Gasket	670240575813	1.74
Z6918-XL Series Parts			
P6918-100-HP	Solenoid for Z6918 Faucet, High Pressure	670240360501	101.18
P6918-120	Filter Assembly for Z6918 Faucet	670240260375	16.95
P6918-20E	1.5 gpm Aerator for Z6918 Faucet	670240361560	28.86
P6918-20F	0.5 gpm Aerator for Z6918 Faucet	670240361409	28.86
P6918-BAT	9 Volt Battery for Z6918 Faucet	670240403543	25.08
P6918-B-L	Electronics Assembly for Z6918 Int. Batt. Faucet	670240385290	151.87
P6918-CP4	4" Cover Plate for Z6918 Faucet	670240401297	52.94
P6918-CP8	8" Cover Plate for Z6918 Faucet	670240406704	86.72
P6918-RC	Remote Control with 8 Buttons for Stern Faucet -Z6918	670240409965	101.53
P6918-W	Allen Wrench for Z6918 Faucet	670240383159	2.97
Z6920-XL and Z6922-XL Series Parts			
P6920-42	Base Plate Gasket	670240608023	6.88
P6920-WEDGE	Wedge Gasket used on the Z6920 Faucet	670240647008	8.12
P6920-XL-1	Lead-Free Base Assembly	670240872660	465.01
P6922-43	Mounting Kit for Z6922-XL	670240405974	17.57
P6922-XL-1	Electronics for Z6922 Battery Powered	670240957923	430.56
P6900-GA	3-1/2" Centerline Gooseneck Spout (with Aerator)	670240554153	30.59
P6900-GB	5-3/8" Centerline Gooseneck Spout (with Aerator)	670240537750	33.05
P6900-GC	8" Centerline Gooseneck Spout (with Aerator)	670240563377	42.33
P6900-BAT-AA	AA Battery	670240573819	2.31
P6900-B-L	Electronics Module for Z6913-XL, Z6915-XL, Z6920-XL, and Z6922-XL	670240576582	426.23
P6900-SRK	Solenoid Rebuild Kit (Diaphragm, plunger and plunger spring)	670240574908	63.35
P6900-SG	Shank Connection Gasket	670240575813	1.74
Z6930-XL Series Parts			
P6930-XC-24	Electronics Extension Cable	670240851535	49.14
P6930-XL-1	Z6930 Spout Assembly with Sensor	670240808409	452.05
P6930-XL-42	Z6930 Base Plate Gasket	670240808416	5.82
P6930-XL-B-L	Electronics Box with Solenoid	670240808423	440.32
P6930-XL-EL	Z6930 Sensor Assembly	670240808454	88.02

When ordering parts, always list product number and description.

For additional product information, please visit www.zurn.com.

PRODUCT NO.	DESCRIPTION	UPC	LIST PRICE
Z6950-XL Series Parts			
P6950-43	Z6950 Bagging Assembly	889934080568	#N/A!
P6950-CP4	4" Cast Cover Plate with Gasket	670240963511	25.82
P6950-CP4-1	4" Cast Cover Plate with Gasket with Hole for ADM Mixer	670240963535	63.47
P6950-CP8	8" Cast Cover Plate with Gasket	670240963528	33.57
P6950-CP8-2	8" Cast Cover Plate with Gasket with Hole for ADM Mixer	670240963542	105.42
P6950-SRK	Replacement Solenoid	670240963320	62.15
P6950-XL-42	Z6950/Z6950-XL-IM Spout Base Gasket	670240963290	1.4
P6950-XL-44	Z6955-XL Spout Base Gasket	670240963306	2.71
P6950-XL-B	Spout Shank Base for Z6950/Z6955-XL	670240963276	57.18
P6950-XL-B-L	Electronics Box with Solenoid - Z6950/55-XL	889934091670	#N/A!
P6950-XL-C	Mixing Handle Plug/Cap for Z6950-XL-IM Model	-	#N/A!
P6950-XL-DC	Modular DC Pigtail Cable for Plug-In and Hardwired Units	670240963504	51.2
P6950-XL-EL	Z6950 Sensor Assembly	670240963559	78.11
P6950-XL-H	Mixing Handle for Z6950-XL-IM model	670240963344	7.17
P6950-XL-IM-B	Spout Shank Base on Z6950-XL-IM	670240963283	79.12
P6950-XL-IM-B-L	Electronics Box with Solenoid - Z6950-XL-IM	670240963313	495.24
P6950-XL-IM-SPOUT	Z6950-XL-IM Spout Assembly with Sensor (Less Base Shank)	670240963245	233.07
P6950-XL-OS	Handle O-Ring and Handle Screw Z6950-XL-IM	670240963481	1.92
P6950-XL-S-1	Z6950-XL Spout Assembly with Sensor and Shank Base	670240963221	279.29
P6950-XL-S-IM-1	Z6950-XL-IM Spout Assembly with Sensor Shank Base	670240963238	312.2
P6950-XL-SPOUT	Z6950-XL Spout Assembly with Sensor (Less Base Shank)	670240963269	222.1
P6950-XL-Y	Y Pipe Adaptor for Z6950-XL-IM Model	670240963337	23.78
P6950-XL-YC	Y Cable Adaptor Z6950-XL-IM	670240963498	38.83
P6955-XL-S-1	Z6955-XL Spout Assembly with Sensor Shank Base	670240963214	378.96
P6955-XL-SPOUT	Z6955-XL Spout Assembly with Sensor (Less Base Shank)	670240963252	321.77

AquaVantage® AV Flush Valves With Chemical and Clog-Resistant, Triple Filter Diaphragm



Standard Features



High Pressure
Vacuum Breaker



Low-Force, No Leak,
ADA Handle



Cast Wall Flange
with Setscrew



Vandal-Resistant
Control Stop Cover

NO.	PRODUCT NO.	DESCRIPTION
AquaVantage Covers		
1	P6000-LL-CP	Outside Cover - CP
2	P6000-L	Inside Plastic Cover
AquaVantage Repair Kits		
3	P6000-ECA-HET	Closest Repair Kit - 1.28 gpf
	P6000-ECA-WS	Closest Repair Kit - 3.5 gpf
	P6000-ECA-WS1	Closest Repair Kit - 1.6 gpf
	P6000-ECA-PWS	Closest Repair Kit - 2.4 gpf
	P6000-EUA-ULF	Urinal Repair Kit - 0.125 gpf
	P6000-EUA-WS	Urinal Repair Kit - 1.5 gpf
	P6000-EUA-WS1	Urinal Repair Kit - 1.0 gpf
	P6000-EUA-EWS	Urinal Repair Kit - 0.5 gpf
AquaVantage Handle Repair Kits and Parts		
4	P6000-MK	Handle Repair Kit
5	P6000-M10	Handle Gasket
6	P6000-M-ADA	Handle Assembly - ADA
Sweat Solder Kits		
7	P6000-YBYC	1" Sweat Solder Kit w/Cast Wall Flange
	P6003-YBYC	3/4" Sweat Solder Kit w/Cast Wall Flange

NO.	PRODUCT NO.	DESCRIPTION
Control Stop Repair Parts		
8	P6000-C-SD-CP	Control Stop - 1" Closet
	P6003-C-SD-CP	Control Stop - 3/4" Urinal
Stop Valve Repair Parts		
9	P6000-D-SD	Stop Valve Repair Kit - 1" and 3/4"
10	P6000-VC	Vandal-Resistant Stop Cover
Tail Piece Repair Parts		
11	P6000-C31	Tail Piece O-Ring
12	P6000-J1	Tailpiece Assembly
Flush Connections and Spud Coupling Kits		
13	P6000-B-HP	High Pressure Vacuum Breaker Repair Kit
14	P6000-A	Flush Tube Assembly for Flush Valves (Specify diameter and length.)
15	P6000-AA-CP	Vacuum Breaker Nut/Coupling - CP
16	P6000-H	1-1/2" Spud Coupling Assembly
	P6001-H	1-1/4" Spud Coupling Assembly
	P6003-H	3/4" Spud Coupling Assembly

When ordering parts, always list product number and description.

For additional product information, please visit www.zurn.com.

FLUSH VALVES

FAUCETS

TEMP-GARD®

TUBULAR BRASS

FIXTURES

AQUAPARTS® REPAIR PARTS
AND ASSEMBLIES

AquaVantage® and Aquaflush® Concealed Replacement Parts - Z6100AV and Z6100 Series

FLUSH VALVES

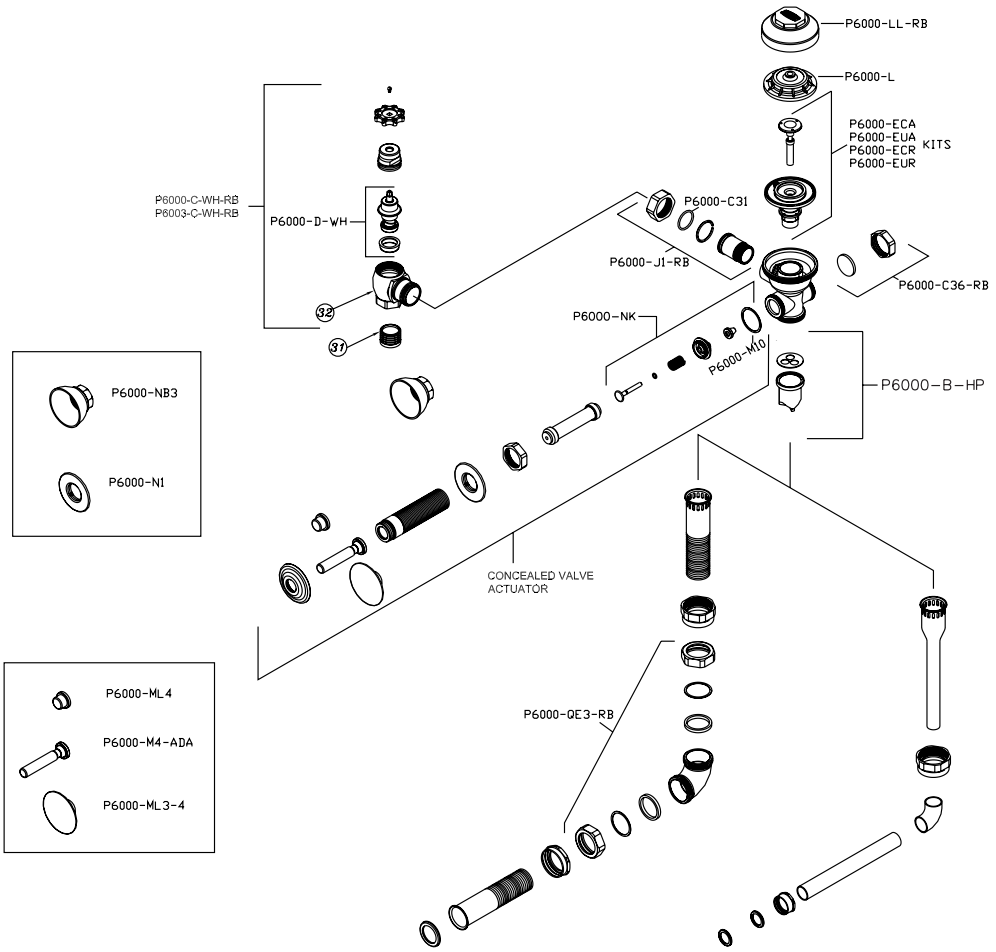
FAUCETS

TEMP-GARD®

TUBULAR BRASS

FIXTURES

AQUAPARTS® REPAIR PARTS AND ASSEMBLIES



NO.	PRODUCT NO.	DESCRIPTION
AquaVantage Covers and Repair Kits		
	P6000-LL-RB	Outside Cover - RB
	P6000-L	Inside Cover
	P6000-ECA-WS1	Low Consumption Closet Kit - 1.6 gal.
	P6000-ECA-WS	Water Saving Closet Kit - 3.5 gal.
	P6000-ECA-FF	Full Flow Closet Kit - 4.5 gal.
	P6000-EUA-WS1	Low Consumption Urinal Kit 1.0 gal.
	P6000-EUA-WS	Water Saving Urinal Kit - 1.5 gal.
	P6000-EUA-FF	Full Flow Urinal Kit - 3.0 gal.
Aquaflush Covers and Repair Kits		
	P6000-LL-RB	Outside Cover - RB
	P6000-L	Inside Cover
	P6000-ECR-WS1	Low Consumption Closet Kit - 1.6 gal.
	P6000-ECR-WS	Water Saving Closet Kit - 3.5 gal.
	P6000-ECR-FF	Full Flow Closet Kit - 4.5 gal.
	P6000-EUR-WS1	Low Consumption Urinal Kit 1.0 gal.
	P6000-EUR-WS	Water Saving Urinal Kit - 1.5 gal.
	P6000-EUR-FF	Full Flow Urinal Kit - 3.0 gal.
Control Stop Repair Kit and Parts		
	P6000-C-WH-RB	Control Wheel Handle Stop - 1"
	P6003-C-WH-RB	Control Wheel Handle Stop - 3/4"
	P6000-D-WH	Control Stop Repair Kit for 1" and 3/4"
	P6000-YBA	Sweat Solder Connection

NO.	PRODUCT NO.	DESCRIPTION
Handle Assembly and Repair Kits		
	P6000-N-__	Concealed Valve Actuator (Specify type and 'L' dim.)
	P6000-NL-__	Concealed Valve Actuator (Specify type and 'L' dim.)
	P6000-NL3-__	Concealed Valve Actuator (Specify type and 'L' dim.)
	P6000-NK	Handle Repair Kit
	P6000-M9	Handle Seal
	P6000-M10	Handle Gasket
Adjustable Tailpieces		
	P6000-J1-RB	Adjustable Tailpiece for Standard Flush Valve
	P6000-C30	Tailpiece Locking Ring
	P6000-C31	Tailpiece O-Ring
	P6000-C32-RB	Coupling Nut
	P6000-C36-RB	Handle Nut Solid with Gasket
Flush Connections and Spud Coupling Kits		
	P6000-QFC __	Flush Tube Assembly for Concealed Flush Valves (Refer to Section Q)
	P6000-B-HP	High Pressure Vacuum Breaker Repair Kit
	P6000-HN-RB	1-1/2" Spud Coupling Assembly
	P6001-HN-RB	1-1/4" Spud Coupling Assembly
	P6003-HN-RB	3/4" Spud Coupling Assembly

For more information, see FV212 or FV251

Aquaflush® Flush Valves With Chemical and Clog-Resistant Diaphragm



Standard Features



High Pressure
Vacuum Breaker



Low-Force, No Leak,
ADA Handle

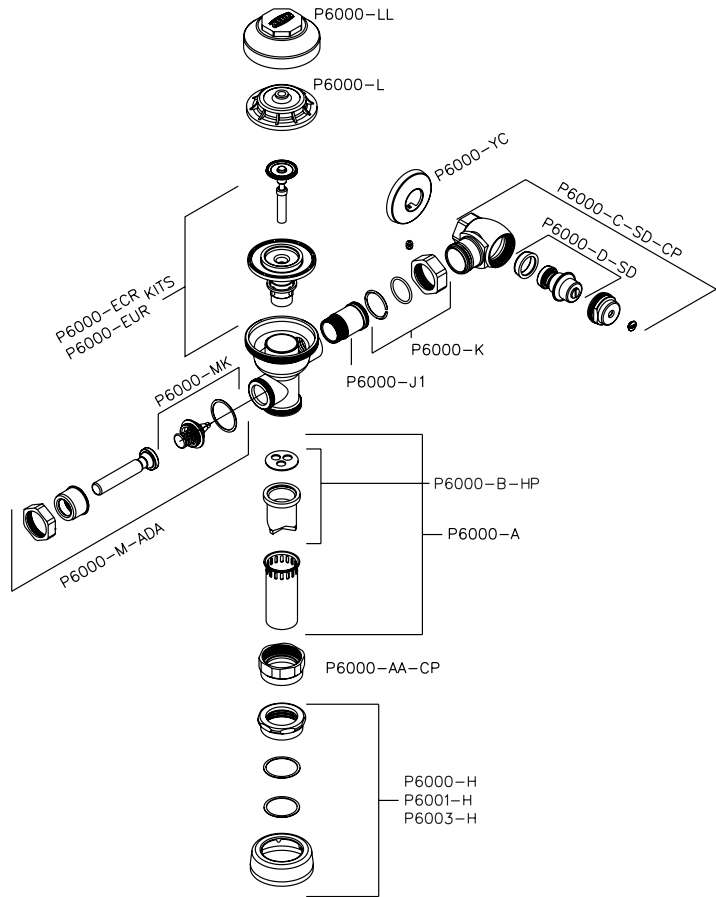
For Aquaflush PL- Add



Cast Wall Flange
with Setscrew



Vandal-Resistant
Control Stop Cover



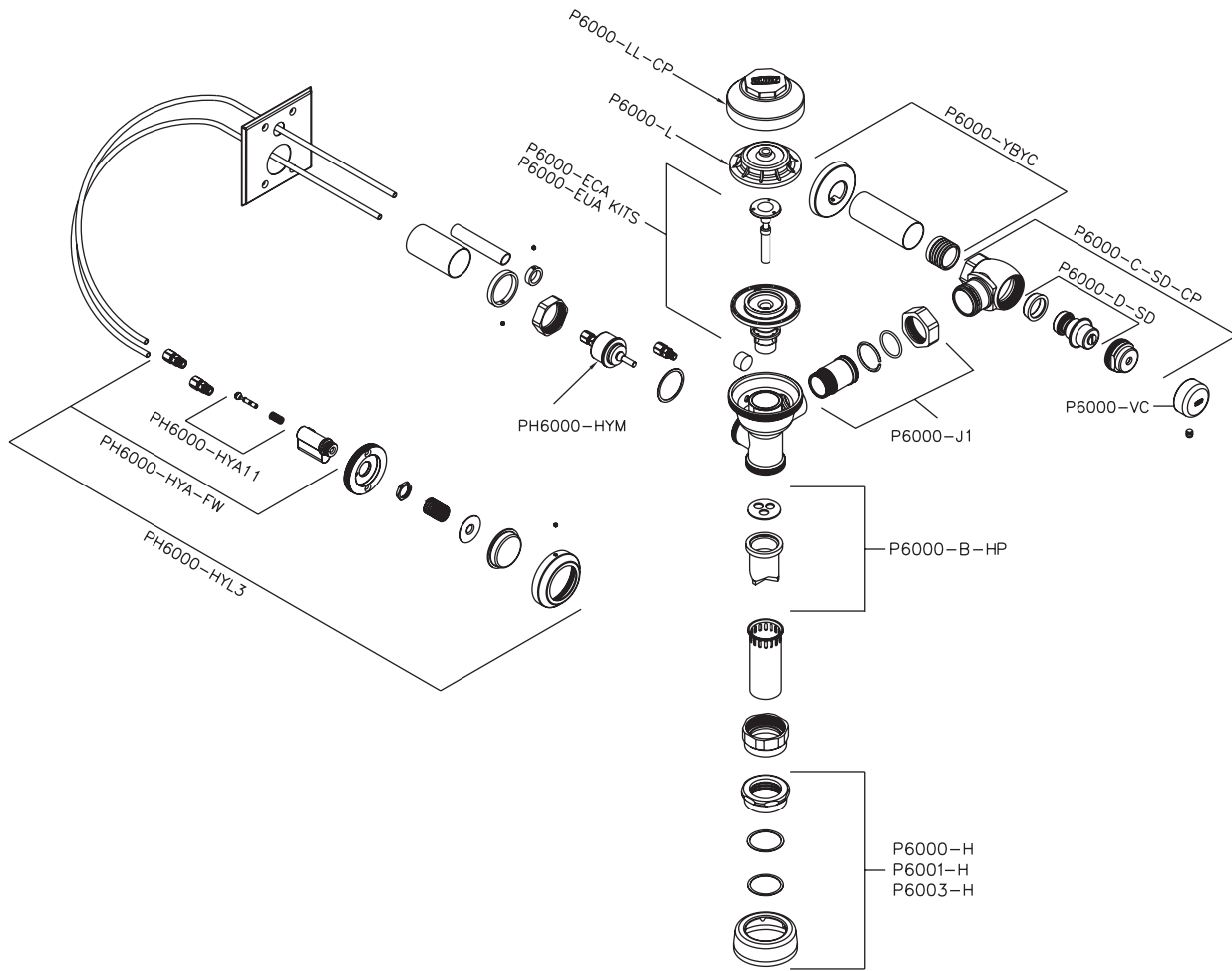
NO.	PRODUCT NO.	DESCRIPTION
Covers and Repair Kits		
	P6000-LL-CP	Outside Cover - CP
	P6000-L	Inside Cover
	P6000-ECR-WS1	Low Consumption Closet Kit - 1.6 gal. flush
	P6000-ECR-WS	Water Saving Closet Kit - 3.5 gal. flush
	P6000-ECR-FF	Full Flow Closet Kit - 4.5 gal. flush
	P6000-EUR-WS1	Low Consumption Urinal Kit - 1.0 gal. flush
	P6000-EUR-WS	Water Saving Urinal Kit - 1.5 gal. flush
	P6000-EUR-FF	Full Flow Urinal Kit - 3.0 gal. flush
Repair Parts - Inside Parts		
	P6000-EU13	Urinal Relief Valve
	P6000-EC13	Closet Relief Valve
	P6000-E14	Molded Disc
	P6000-ER15	Diaphragm with Flow Rings
Aquaflush Rebuild Kits		
	P6000-ECR-WS-RK	Closet Rebuild Kits
	P6000-ECR-WS1-RK	Closet Rebuild Kits
	P6000-EUR-WS-RK	Urinal Rebuild Kits
	P6000-EUR-WS1-RK	Urinal Rebuild Kits
Handle Assembly and Repair Kits		
	P6000-M-ADA	ADA Handle Assembly (Side)
	P6000-MK	Handle Repair Kit (Side)
	P6000-M9	Handle Seal
	P6000-M10	Handle Gasket

NO.	PRODUCT NO.	DESCRIPTION
Handle Assembly and Repair Kits (cont'd.)		
	P6000-MHK	Repair Kit for Front Operation - Exposed
	P6000-MH	Handle Assembly (Front)
Control Stop Repair Kit and Parts		
	P6000-D-SD	Control Stop Repair Kit for 1" and 3/4"
	P6000-D42	Seal Seat for 1" and 3/4"
	P6000-D-VP	VP Control Stop Repair Kit for 1" and 3/4"
	P6000-YB	Sweat Solder Connection 1"
	P6003-YB	Sweat Solder Connection 3/4"
Adjustable Tailpieces		
	P6000-J1	Adjustable Tailpiece for Standard Flush Valve
	P6000-C30	Tailpiece Locking Ring
	P6000-C31	Tailpiece O-Ring
	P6000-C32	Coupling Nut
Flush Connections and Spud Coupling Kits		
	P6000-A	Flush Tube Assembly for Flush Valves (Specify diameter and length.)
	P6000-B	Vacuum Breaker Repair Kit
	P6000-H	1-1/2" Spud Coupling Assembly
	P6001-H	1-1/4" Spud Coupling Assembly
	P6003-H	3/4" Spud Coupling Assembly

When ordering parts, always list product number and description.

For additional product information, please visit www.zurn.com.

AquaVantage® and Aquaflush® Hydraulic-Operated Replacement Parts



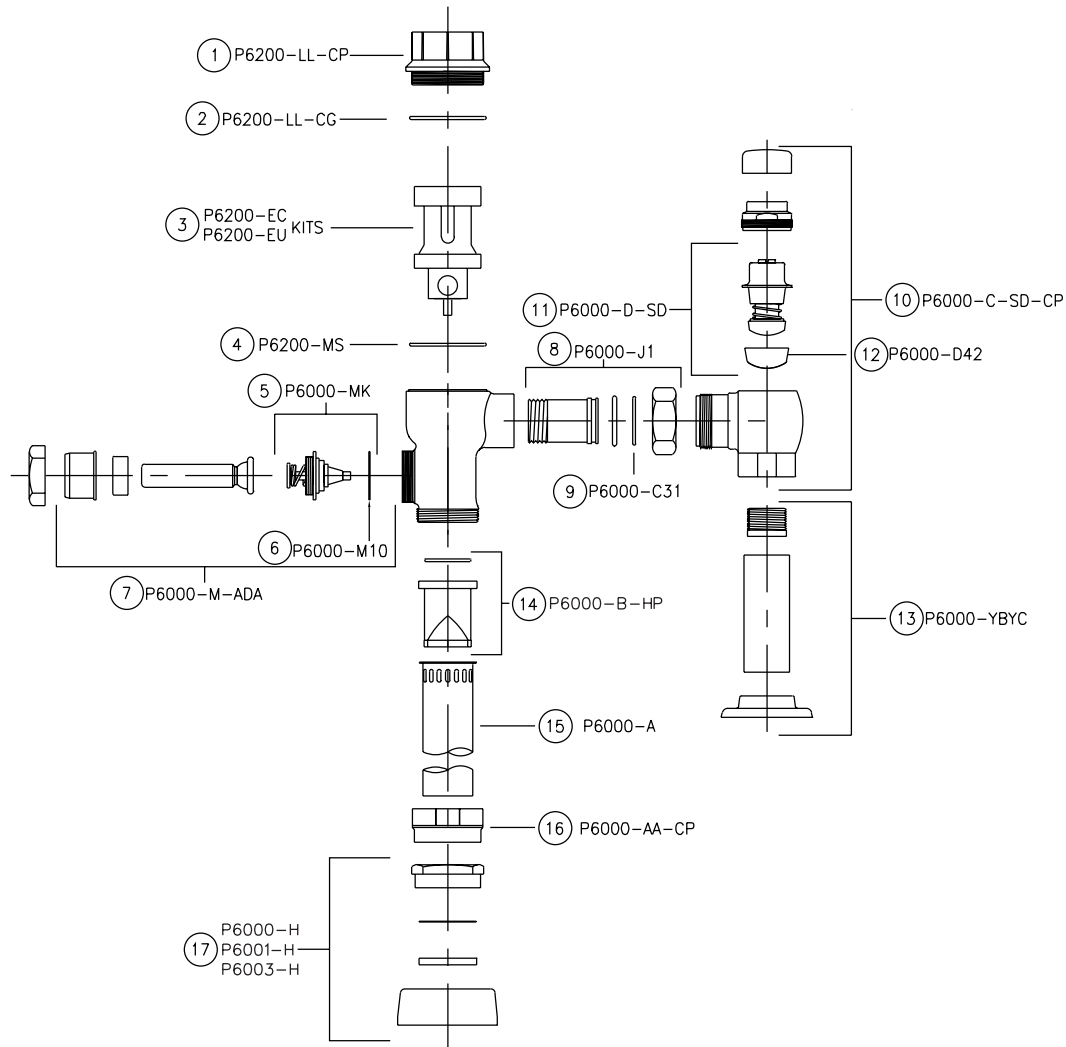
NO.	PRODUCT NO.	DESCRIPTION
AquaVantage Covers and Repair Kits		
	P6000-LL-CP	Outside Cover - CP
	P6000-L	Inside Cover
	P6000-ECA-WSI	Low Consumption Closet Kit - 1.6 gal.
	P6000-ECA-WS	Water Saving Closet Kit - 3.5 gal.
	P6000-ECA-FF	Full Flow Closet Kit - 4.5 gal.
	P6000-EUA-WSI	Low Consumption Urinal Kit - 1.0 gal.
	P6000-EUA-WS	Water Saving Urinal Kit - 1.5 gal.
	P6000-EUA-FF	Full Flow Urinal Kit - 3.0 gal.
Aquaflush Repair Kits		
	P6000-ECR-WSI	Low Consumption Closet Kit - 1.6 gal.
	P6000-ECR-WS	Water Saving Closet Kit - 3.5 gal.
	P6000-ECR-FF	Full Flow Closet Kit - 4.5 gal.
	P6000-EUR-WSI	Low Consumption Urinal Kit - 1.0 gal.
	P6000-EUR-WS	Water Saving Urinal Kit - 1.5 gal.
	P6000-EUR-FF	Full Flow Urinal Kit - 3.0 gal.
Actuator Assembly and Repair Parts		
	PH6000-HYL3-FW	Large Push Button Assembly, Fixture Wall
	PH6000-SHYL3-SW	Large Push Button Assembly, Side Wall
	PH6000-HYL-MB	Metal Push Button Assembly
	PH6000-HYLP-MBP	Metal Push Button Assembly for Penal Use
	PH6000-HYA11	Repair Kit for Hydraulic Actuator

NO.	PRODUCT NO.	DESCRIPTION
Control Stops and Repair Kits		
	P6000-D-SD	Control Stop Repair Kit for 1" and 3/4"
	P6000-C-SD-CP	Control Stop - 1"
	P6003-C-SD-CP	Control Stop - 3/4"
	P6000-C-WH-RB	Control Stop - 1" Concealed
	P6003-C-WH-RB	Control Stop - 3/4" Concealed
Sweat Solder Kit		
	P6000-YBYC	Solder Adapter, Cover Tube, and Cast Wall Flange
Adjustable Tailpieces		
	P6000-J1	Adjustable Tailpieces for Standard Flush Valve
	P6000-C30	Tailpiece Locking Ring
	P6000-C31	Tailpiece O-Ring
	P6000-C32-CP	Coupling Nut
Flush Connections and Spud Coupling Kits		
	P6000-A	Flush Tube Assemblies for Flush Valves (Specify diameter and length.)
	P6000-B-HP	High Pressure Vacuum Breaker Repair Kit
	P6000-H	1-1/2" Spud Coupling Assembly
	P6001-H	1-1/4" Spud Coupling Assembly
	P6003-H	3/4" Spud Coupling Assembly

For more information, see FV241

When ordering parts, always list product number and description.

Metroflush® Replacement Parts



NO.	PRODUCT NO.	DESCRIPTION
Metroflush Covers and Repair Kits		
1	P6200-LL-CP	Outside Cover - CP
2	P6200-LL-CG	Cover Gasket
3	P6200-EC-WS	Metroflush Repair Kit - Closet 3.5 gal.
	P6200-EC-WS1	Metroflush Repair Kit - Closet 1.6 gal.
	P6200-EC-HET	Metroflush Repair Kit - Closet 1.28 gal.
	P6203-EU-WS	Metroflush Repair Kit - Urinal 1.5 gal.
	P6203-EU-WS1	Metroflush Repair Kit - Urinal 1.0 gal.
4	P6200-MS	Main Seat for Metroflush Valve
Metroflush Handle Repair Parts and Kits		
5	P6000-MK	Handle Repair Kit
6	P6000-M10	Handle Gasket
7	P6000-M-ADA	Handle Assembly - ADA
Metroflush Tailpiece Repair Parts and Kits		
8	P6000-J1	Adjustable Tailpieces for Std. Flush Valve
9	P6000-C31	Tailpiece O-Ring

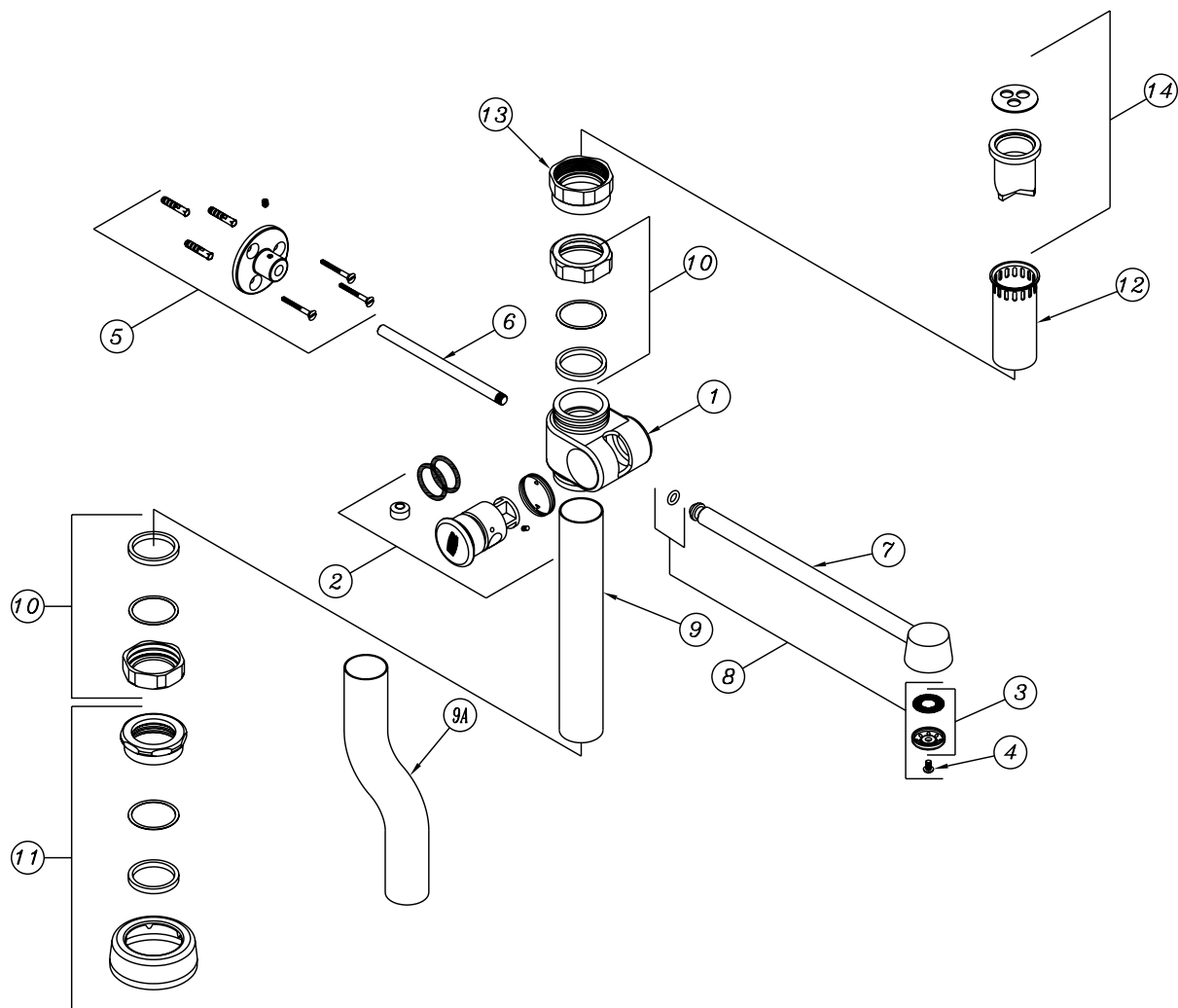
NO.	PRODUCT NO.	DESCRIPTION
Metroflush Control Stops and Repair Kits		
10	P6000-C-SD-CP	Control Stop - 1" - Closet
	P6003-C-SD-CP	Control Stop - 3/4" - Urinal
11	P6000-D-SD	Control Stop Repair Kit - 1" and 3/4"
12	P6000-D42	Seal/Plug Seat for 1" and 3/4"
Sweat Solder Kit		
13	P6000-YBYC	1" Sweat Solder Kit w/Cast Wall Flange
	P6003-YBYC	3/4" Sweat Solder Kit w/Cast Wall Flange
Flush Tube Parts and Repair Kits		
14	P6000-B-HP	Vacuum Breaker Repair Kit
15	P6000-A-CP	Flush Tube Assembly - 1-1/2"
	P6001-A-CP	Flush Tube Assembly - 1-1/4"
	P6003-A-CP	Flush Tube Assembly - 3/4"
Flush Connections and Spud Coupling Kits		
16	P6000-AA-CP	Vacuum Breaker Nut/Coupling - CP
17	P6000-H	1-1/2" Spud Coupling Assembly
	P6001-H	1-1/4" Spud Coupling Assembly
	P6003-H	3/4" Spud Coupling Assembly

For more information, see FV116

When ordering parts, always list product number and description.

For additional product information, please visit www.zurn.com.

Bedpan Washer Replacement Parts



NO.	PRODUCT NO.	DESCRIPTION
1	P6000-PN21	Diverter Body
2	P6000-PN20	Elbow Assembly (Elbow, Spring, Setscrew, 2 O-Rings, and Grommet)
3	P6000-P3	Spray Disc
4	P6000-P4	Spray Disc Screw
5	P6000-P8	Wall Flange with Setscrew and Mounting Hardware
6	P6000-P8-1	Support Rod
7	P6000-PN18	Spray Arm Assembly - 12"
8	P6000-PN19	Spray Arm Repair Kit (O-Ring, Spray Disc, Screen, and Screw)
9	P6000-P15	Bottom Tube
9A	P6000-P15-LO	Optional Offset Tube
10	P6000-HN-CP	Coupling Assembly - 1-1/2"
11	P6000-H	Spud Coupling Assembly - 1-1/2"
12	P6000-1-A-CP	Vacuum Breaker Tube
13	P6000-AA-CP	Tube Nut
14	P6000-B-HP	High Pressure Vacuum Breaker Repair Kit
15	P6000-PN22	Bedpan Diverter Rebuild Kit (Items 8, 2 [Except Elbow], Tube Gasket)

For more information, see FV335

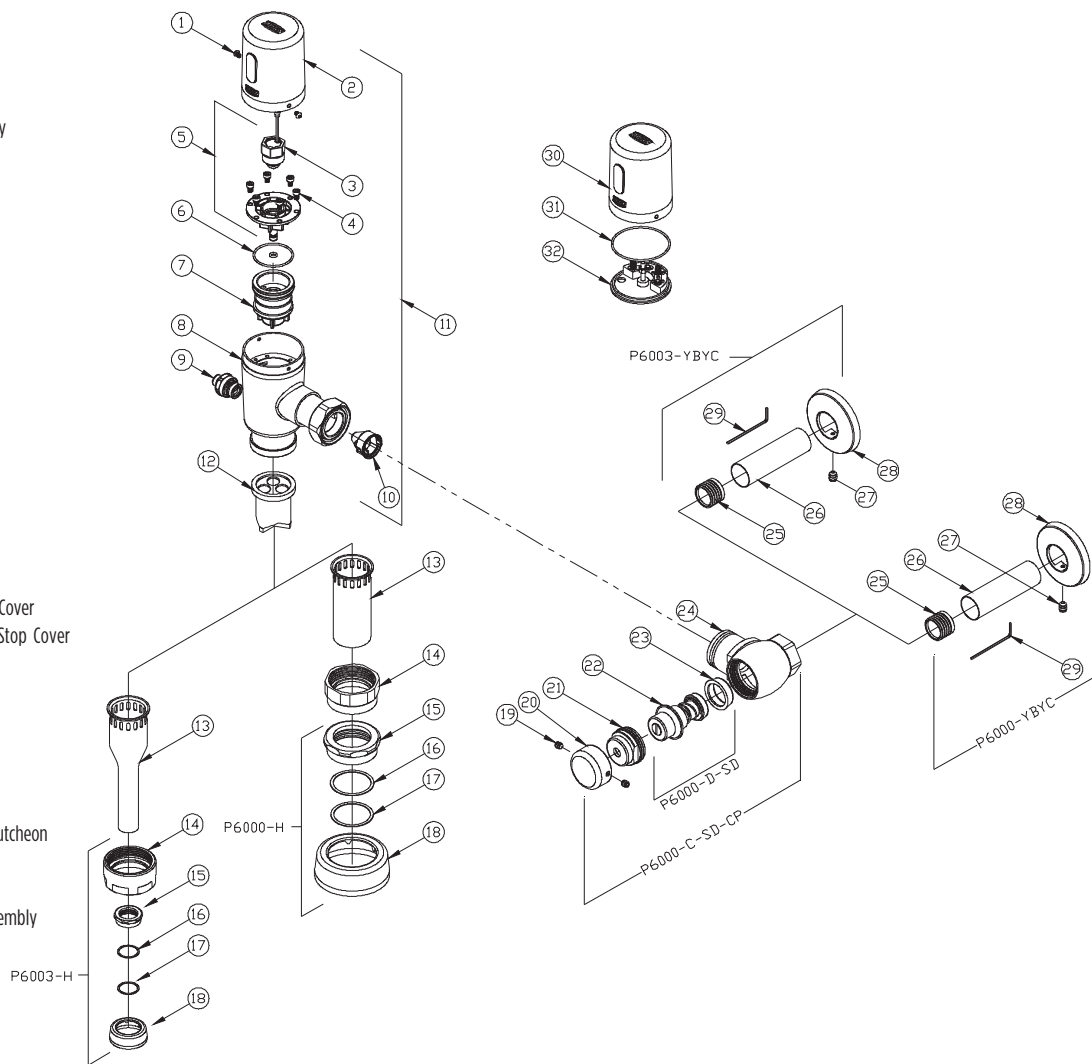
For additional product information, please visit www.zurn.com.

When ordering parts, always list product number and description.

ZTR6200EV Series Replacement Parts

Parts Identification

1. Cover screw
2. Valve Cap/Sensor Assembly
3. Solenoid
4. Piston Cover Screws
5. Solenoid Kit
6. Flange O-rings
7. Piston Kit
8. Valve Housing
9. Manual Override Button
10. Filter
11. Valve Assembly
12. Vacuum Breaker
13. Vacuum Breaker Tube
14. Vacuum Breaker Tube Nut
15. Spud Nut
16. Spud Friction Washer
17. Spud Sleeve
18. Spud Escutcheon
19. Setscrew for Control Stop Cover
20. Vandal-Resistant Control Stop Cover
21. Stop Cap Bonnet
22. Stop Internals
23. Piston Seal
24. Stop Body
25. Sweat Solder Adapter
26. Supply Cover Tube
27. Setscrew for Cast Wall Escutcheon
28. Cast Wall Escutcheon
29. Hex Wrench
30. Top Valve Cap/Sensor Assembly
31. Battery Housing O-ring
32. Battery Cover



NO.	PRODUCT NO.	DESCRIPTION
Valve and Components		
	PTR6200-HSA	Valve Housing, Items 8 & 9
	PTR6200-L-1.1	Valve Cap, (1.1 gpf), Item 2
	PTR6200-L-1.28	Valve Cap, (1.28 gpf), Item 2
	PTR6200-L-1.6	ValveCap, (1.6gpf), Item2
	PTR6200-L-1.0	ValveCap, (1.0gpf), Item2
	PTR6200-L-0.5	ValveCap, (0.5gpf), Item2
	PTR6200-L-0.25	Valve Cap, (0.25 gpf), Item 2
	PTR6200-L-0.125	Valve Cap, (0.125 gpf), Item 2
	PTR6200-M	Solenoid Replacement Kit, Item 5
	PTR6200-EC	Piston Kit (1.1/1.28/1.6 GPF), Item 7
	PTR6203-EU	Piston Kit (0.5/1.0 GPF), Item 7
	PTR6203-EU-ULF	Piston Kit (0.125/0.25 GPF), Item 7
	PTR6200-24	Manual Override Button Assy, Item 9
	PTR6200-M-ring	Flange O-Ring, Item 6
	PTR6200-M-S	Flange Screw , Item 4
	P6000-FA	Filter, (1.28/1.6 gpf), Item 10
	PTR6203-FA	Filter, (1.0/0.5 gpf), Item 10
	PTR6200-L-S	Cover screw , Item 1

NO.	PRODUCT NO.	DESCRIPTION
Flush Connections and Spud Coupling Kits		
	P6000-H	Closet Flush Connection and Spud Coupling, Items 15-18
	P6003-H	Urinal Flush Connection and Spud Coupling, Items 15-18
	P6000-B-HP	Vacuum Breaker Repair Kit, Items 11
	P6000-A-CP	Vacuum Breaker Tube
	P6000-AA-CP	Vacuum Breaker Tube Nut
Control Stop Repair Kit and Parts		
	P6000-C-SD-CP	Control Stop Repair Kit for 1" and 3/4", Includes Items 14-20
	P6000-D42	Seal Seat for 1" and 3/4", Includes Item 23
	P6000-YBA	Sweat Solder Adapter, Includes Item 25
	P6000-VC	Vandal resistant control stop cover Items 19-20
	P6000-YBYC	Closet Sweat solder kit, Items 25-29
	P6003-YBYC	Urinal Sweat solder kit, Items 25-29

When ordering parts, always list product number and description.

For additional product information, please visit www.zurn.com.

ZEMS-IS Series Replacement Parts

FLUSH VALVES

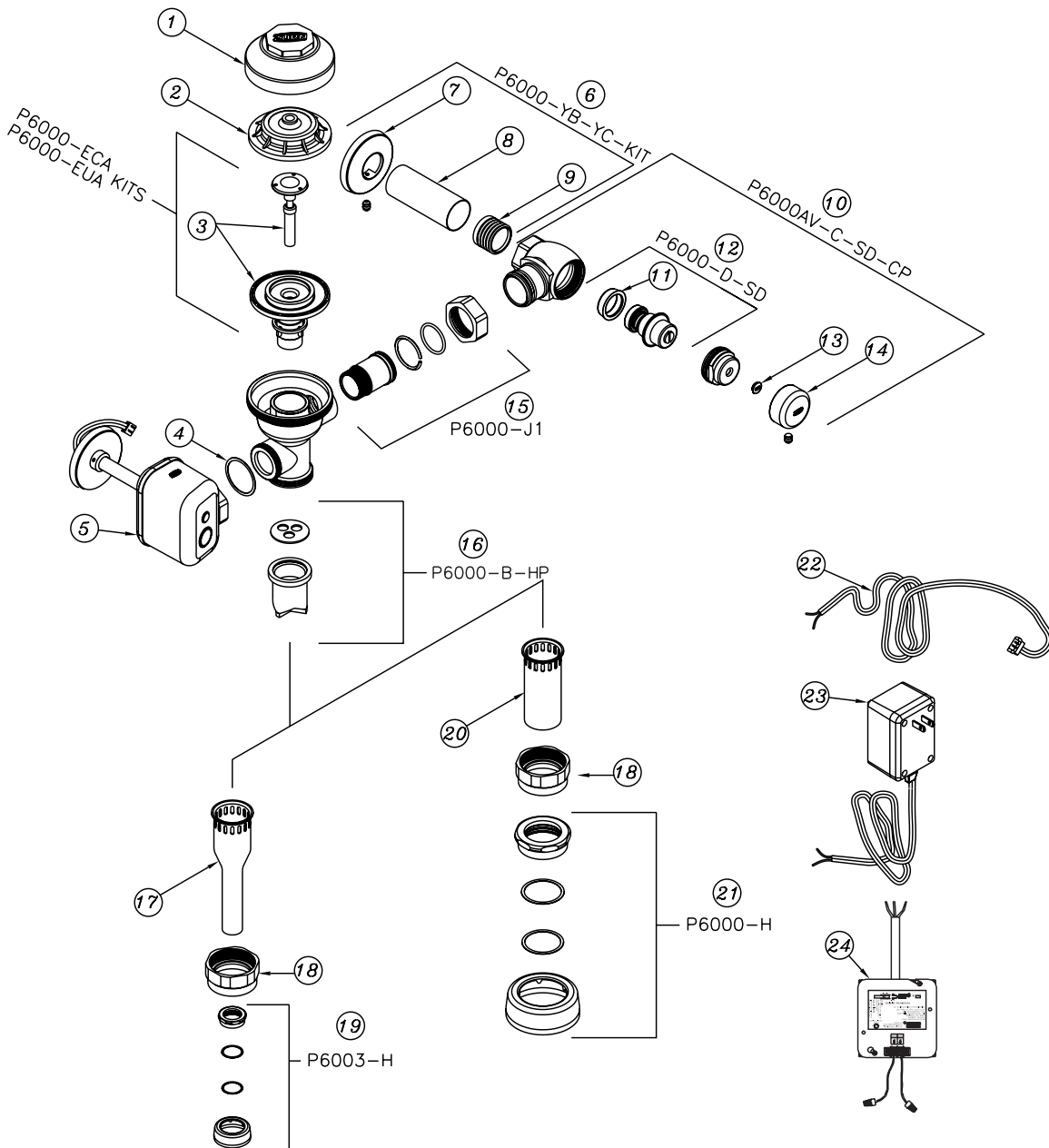
FAUCETS

TEMP-GARD®

TUBULAR BRASS

FIXTURES

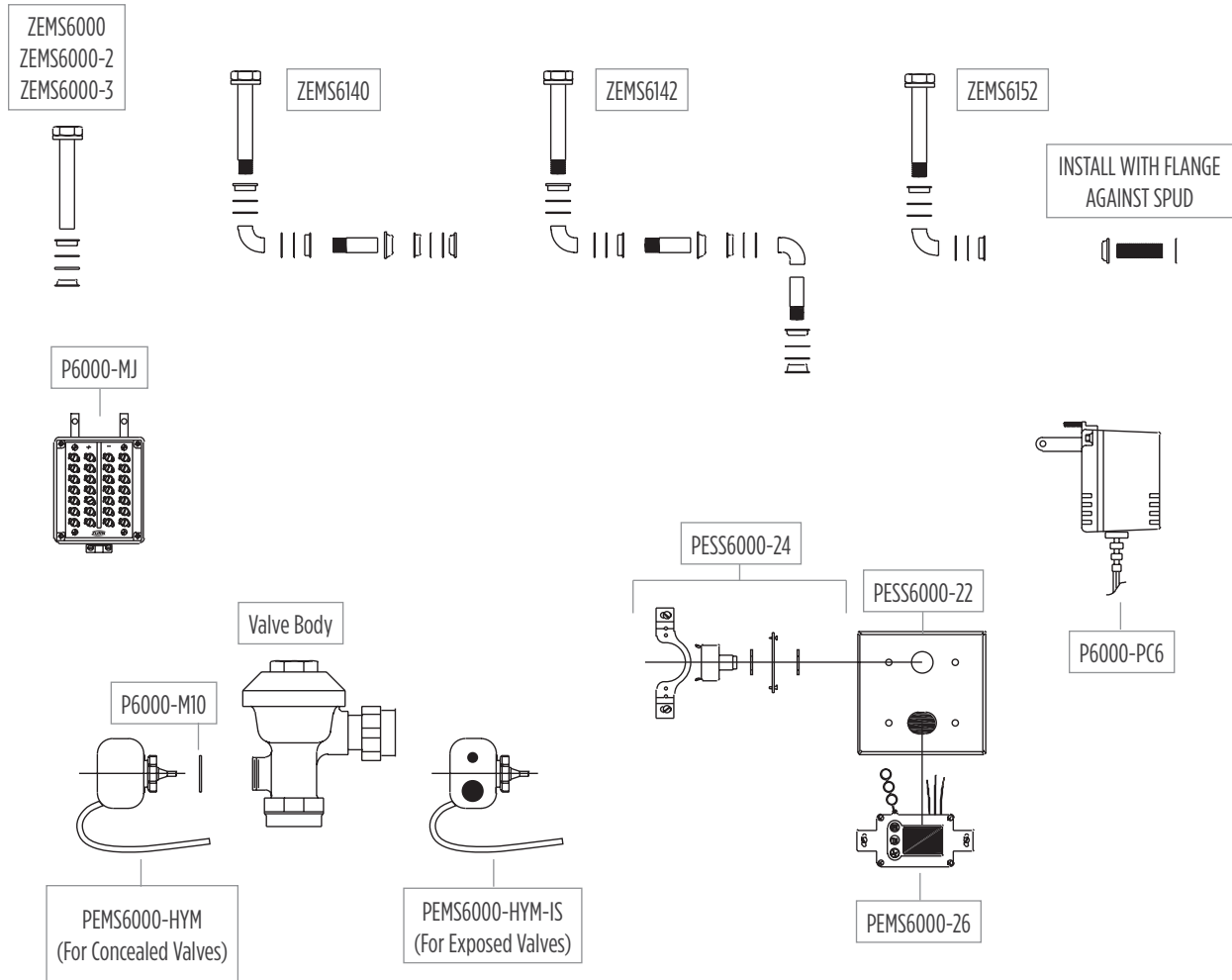
AQUAPARTS® REPAIR PARTS AND ASSEMBLIES



NO.	PRODUCT NO.	DESCRIPTION
1	P6000-LL-CP	Outside Brass Cover
2	P6000-L	Inside Plastic Cover
3	P6000-ECA	Closet Repair Kit
	P6000-EUA	Urinal Repair Kit
4	P6000-M10	Handle Gasket
5	PEMS6000-HYM-IS	Actuator Assembly for Exposed ZEMS Valves
6	P6000-YBYC	Sweat Solder Kit with Cast Flange
7	P6000-YC	Cast Wall Flange
8	P6000-YB-CVR6	6" Cover Tube
9	P6000-YBA	Sweat Solder Adapter
10	P6000AV-C-SD-CP	1" SD Stop - CP with Vandal-Resistant Cover
11	P6000-D42	Seal/Plug Seat for 1" and 3/4"

NO.	PRODUCT NO.	DESCRIPTION
12	P6000-D-SD	SD Stop Valve Repair Kit
13	P6000-C33	Stop Cap Screw Cover
14	P6000-VC	Vandal-Resistant Cap
15	P6000-J1	Tailpiece
16	P6000-B-HP	High Pressure Vacuum Breaker Repair Kit
17	P6003-A-CP	3/4" x 9" Vacuum Breaker Tube
18	P6000-AA-CP	Vacuum Breaker Nut
19	P6003-H	3/4" Spud Coupling Assembly
20	P6000-A-CP	1-1/2" x 9" Vacuum Breaker Tube
21	P6000-H	1-1/2" Spud Coupling Assembly
22	PEMS6000-IS-CW	Connecting Wire
23	P6000-ACA-BA	Plug-in Power Converter
24	P6000-HW6	Hardwire Power Converter

ZEMS Closet Series Replacement Parts



NO.	PRODUCT NO.	DESCRIPTION
	PEMS6000-26	Sensor for Closet ZEMS
	PEMS6000-HYM	Actuator Assembly for ZEMS Valves - Concealed
	PEMS6000-HYM-IS	Actuator Assembly for ZEMS Valves - Exposed
	PESS6000-22	Closet Sensor Cover Plate with Override Hole - 4" x 4"
	PESS6000-24	Override Push Button Assembly
	P6000-M10	Handle Gasket
	P6000-MJ	Mini Junction Box (Shown Less Cover)
	P6000-ACA-BA	6 VDC Power Converter
	P6000-HW6	Hardwire Power Converter (Not Shown)

ZEMS Urinal Valve Replacement Parts

FLUSH VALVES

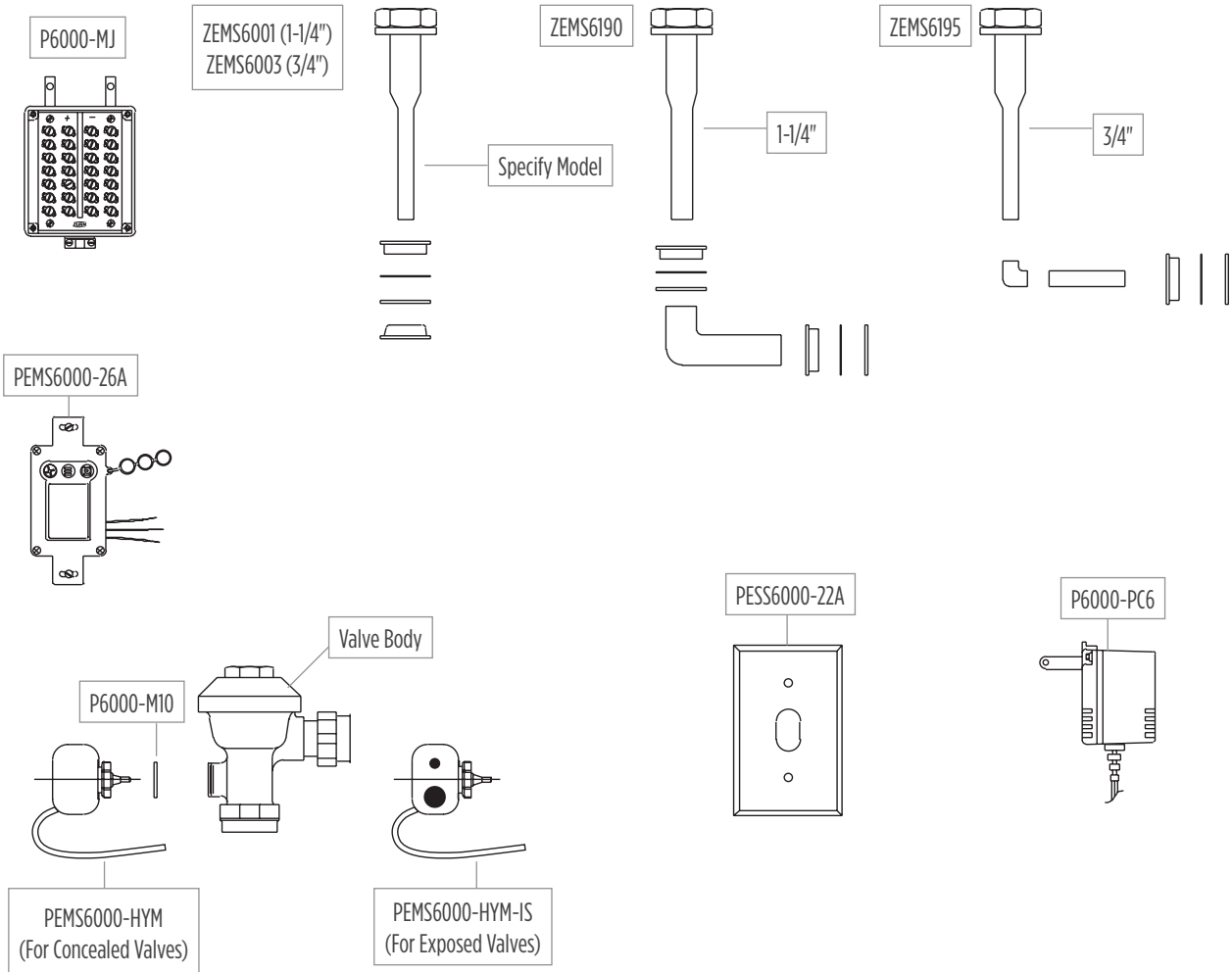
FAUCETS

TEMP-GARD®

TUBULAR BRASS

FIXTURES

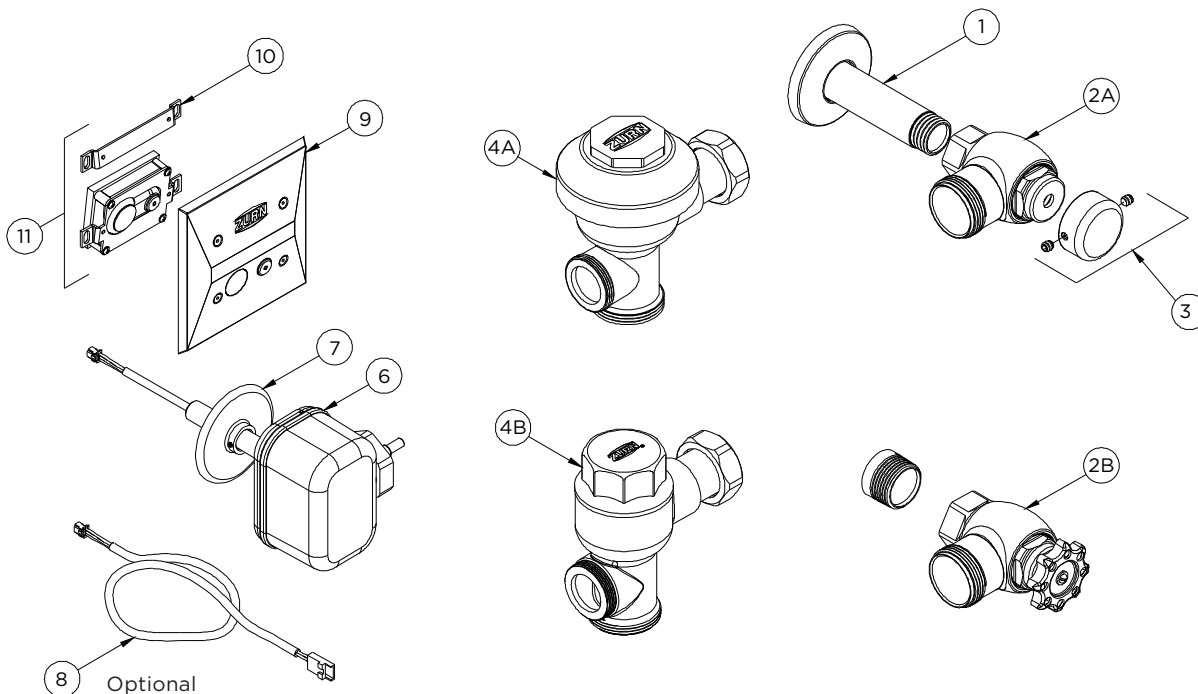
AQUAPARTS® REPAIR PARTS AND ASSEMBLIES



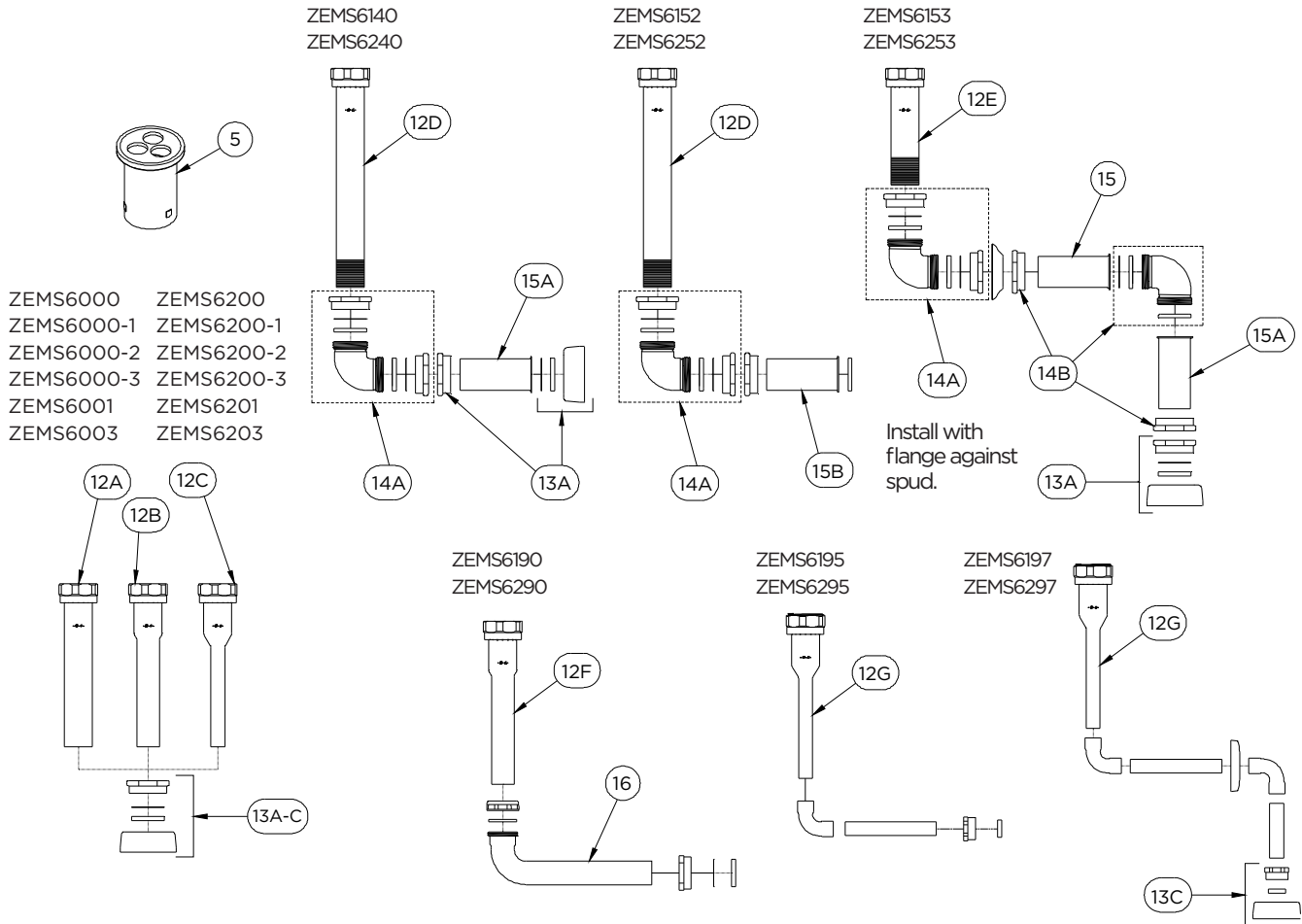
NO.	PRODUCT NO.	DESCRIPTION
	PEMS6000-26A	Sensor for Urinal ZEMS
	PEMS6000-HYM	Actuator Assembly for ZEMS Valves - Concealed
	PEMS6000-HYM-IS	Actuator Assembly for ZEMS Valves - Exposed
	PESS6000-22A	Urinal Sensor Cover Plate - 2" x 4"
	P6000-M10	Handle Gasket
	P6000-MJ	Mini Junction Box (Shown Less Cover)
	P6000-ACA-BA	6 VDC Power Converter
	P6000-HW6	Hardwire Power Converter (Not Shown)

For more information, see FV38-WCS

ZEMS G2 Series Replacement Parts

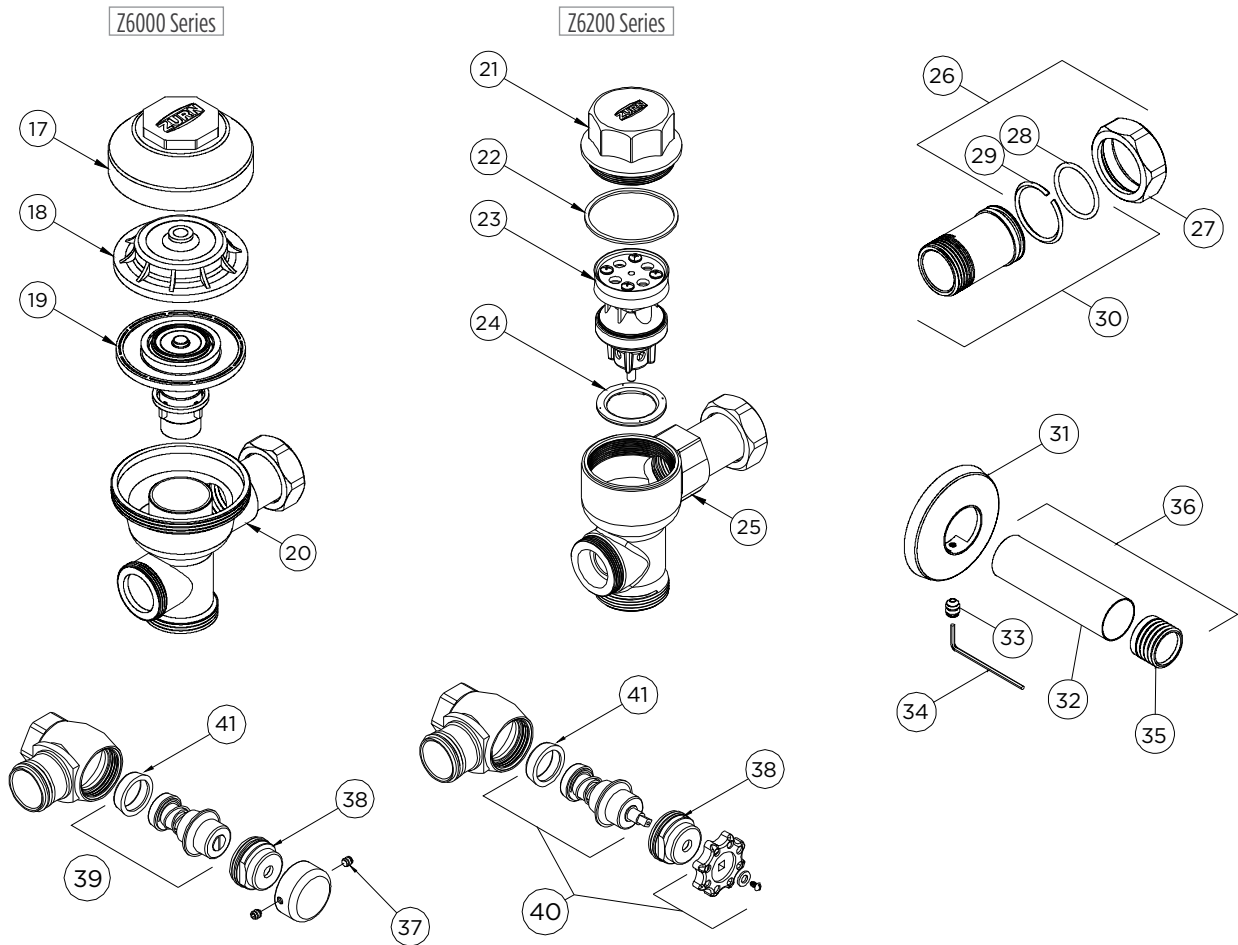


NO.	PRODUCT NO.	DESCRIPTION
1	P6000-YBYC	Closest Cast Wall Escutcheon & Solder Kit
	P6003-YBYC	Urinal Cast Wall Escutcheon & Solder Kit
2A	P6000-C-SD-CP	Chrome Plated Closet Stop Assembly
	P6003-C-SD-CP	Chrome Plated Urinal Stop Assembly
	P6000-C-SD-RB	Rough Brass Closet Stop Assembly
	P6003-C-SD-RB	Rough Brass Urinal Stop Assembly
2B	P6000-C-WH-CP	Chrome Plated Closet Stop Assembly for Wheel Handle
	P6003-C-WH-CP	Chrome Plated Urinal Stop Assembly for Wheel Handle
	P6000-C-WH-RB	Rough Brass Closet Stop Assembly for Wheel Handle
	P6003-C-WH-RB	Rough Brass Urinal Stop Assembly for Wheel Handle
3	P6000-VC	Vandal-Resistant Control Stop Cover
4A	Varies(Z60 __,Z61 __)	Diaphragm Valve
4B	Varies(Z62 __)	Piston Valve
5	P6000-B-HP	Vacuum Breaker
6	PEMS6000-HYM-G2	ZEMS Actuator
7	PEMS6000-G	ZEMS Escutcheon
8	PEMS6000-CW-G2	Actuator Extention Cable, 24" (Optional - Max 2 per installation)
9	PEMS6000-22-G2	ZEMS Sensor Plate with fasteners



NO.	PRODUCT NO.	DESCRIPTION
10	PEMS6000-22-KIT-G2	ZEMS Top Bracket with fasteners
11	PEMS6000-26-G2	ZEMS Sensor with top bracket and fasteners
12A	P6000-A-AA-CP	Chrome Plated 1-1/2" X 8 1/2" Vacuum Breaker Assembly
	P6000-2-A-AA-CP	Chrome Plated 1-1/2" X 21" Vacuum Breaker Assembly
	P6000-3-A-AA-CP	Chrome Plated 1-1/2" X 24" Vacuum Breaker Assembly
12B	P6001-A-AA-CP	Chrome Plated 1-1/4" X 8 1/2" Vacuum Breaker Assembly
12C	P6003-A-AA-CP	Chrome Plated 3/4" X 8 1/2" Vacuum Breaker Assembly
12D	P6000-1-A-AA-RB	Rough Brass 1-1/2" X 12 1/2" Vacuum Breaker Assembly
12E	P6000-A-AA-RB	Rough Brass 1-1/2" X 5" Vacuum Breaker Assembly
12F	P6001-10-A-AA-RB	Rough Brass 1-1/4" X 10" Vacuum Breaker Assembly
12G	P6003-10-A-AA-RB	Rough Brass 3/4" X 10" Vacuum Breaker Assembly
13A	P6000-H	1 1/2" Spud Coupling Assembly
13B	P6001-H	1 1/4" Spud Coupling Assembly
13C	P6003-H	3/4" Spud Coupling Assembly
14A	P6000-QE3-RB	Rough Brass 1 1/2" Slip Elbow Assembly
14B	P6000-QE3-CP	Chrome Plated 1 1/2" Slip Elbow Assembly
15A	P6000-QT1-xx	Chrome Plated Slotless Tube
15B	P6000-QT3-xx	Rough Brass Slotless Tube
16	Varies	Rough Brass Slip Elbow

ZEMS G2 Series Replacement Parts



NO.	PRODUCT NO.	DESCRIPTION
Diaphragm Valves (Z6000 Series)		
17	P6000-LL-CP	Chrome Plated Valve Body Outside Cover
	P6000-LL-RB	Rough Brass Valve Body Outside Cover
	P6000-L	Valve Body Inside Cover
18	P6000-ECA-WS	Closet Repair Kit (3.5 gpf)
19	P6000-ECA-WS1	Low Consumption Closet Kit (1.6 gpf)
	P6000-ECA-HET	High Efficiency Closet Kit (1.28 gpf)
	P6000-EUA-WS	Urinal Repair Kit (1.5 gpf)
	P6000-EUA-WS1	Low Consumption Urinal Kit (1.0 gpf)
	P6000-EUA-EWS	High Efficiency Urinal Kit (0.5 gpf)
	P6000-EUA-ULF	Pint Urinal Kit (0.125 gpf)
20	P6000-19__	Valve Body
Piston Valves (Z6200 Series)		
21	P6200-LL	Valve Body Cover
	P6200-L12	Valve Body Cover Gasket
23	P6200-EC	Closet Repair Kit (3.5 gpf)
	P6200-EC-WS1	Low Consumption Closet Kit (1.6 gpf)
	P6200-EC-HET	High Efficiency Closet Kit (1.28 gpf)
	P6200-EU	Urinal Repair Kit (1.5 gpf)
	P6200-EU-WS1	Low Consumption Urinal Kit (1.0 gpf)
24	P6200-E14	Main Seat
25	Varies	Valve Body

NO.	PRODUCT NO.	DESCRIPTION
Piston Valves (Z6200 Series)		
26	P6000-K	Tailpiece Coupling Assembly
27	P6000-C32-CP	Chrome Plated Locking Nut
	P6000-C32-RB	Rough Brass Locking Nut
28	P6000-C31	Tailpiece O-Ring
29	P6000-C30	Snap Ring
30	P6000-J__	Adjustable Tailpiece Assembly
31	P6000-YC	1" Cast Wall Escutcheon
	P6003-YC	3/4" Cast Wall Escutcheon
32	P6000-YB-CVR	1" Supply Cover Tube
	P6003-YB-CVR	3/4" Supply Cover Tube
33	P6000-YC-SS	Setscrew for Cast Wall Escutcheon
34	P6000-VC-W-VP	5/64" Allen Wrench
35	P6001-YBA	1" Sweat Solder Adapter
	P6003-YBA	3/4" Sweat Solder Adapter
36	P6001-YB	1" Sweat Solder Kit
	P6003-YB	3/4" Sweat Solder Kit
37	P6000-VC-SS	Set Screw for Control Stop Cover
38	P6000-C34-CP	Chrome Plated Stop Cap Bonnet
	P6000-C34-RB	Rough Brass Stop Cap Bonnet
39	P6000-D-SD	Stop Cap Internals
40	P6000-D-WH	Stop Cap Internals with Wheel Handle
41	P6000-D42	Stop Seat

When ordering parts, always list product number and description.

For additional product information, please visit www.zurn.com.

FLUSH VALVES

FAUCETS

TEMP-GARD®

TUBULAR BRASS

FIXTURES

AQUAPARTS® REPAIR PARTS
AND ASSEMBLIES

E-Z Flush® Replacement Parts

FLUSH VALVES

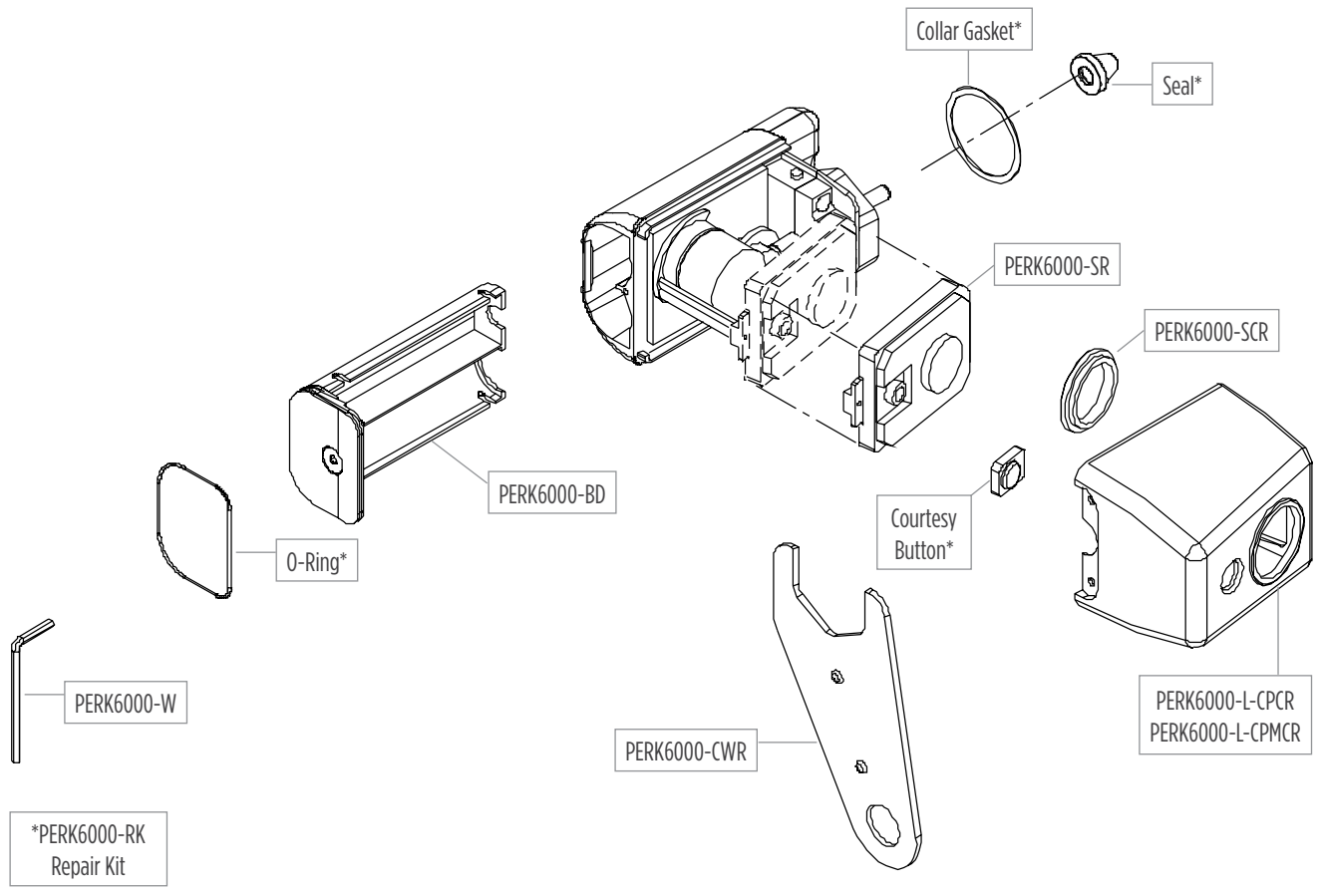
FAUCETS

TEMP-GARD®

TUBULAR BRASS

FIXTURES

AQUAPARTS® REPAIR PARTS AND ASSEMBLIES



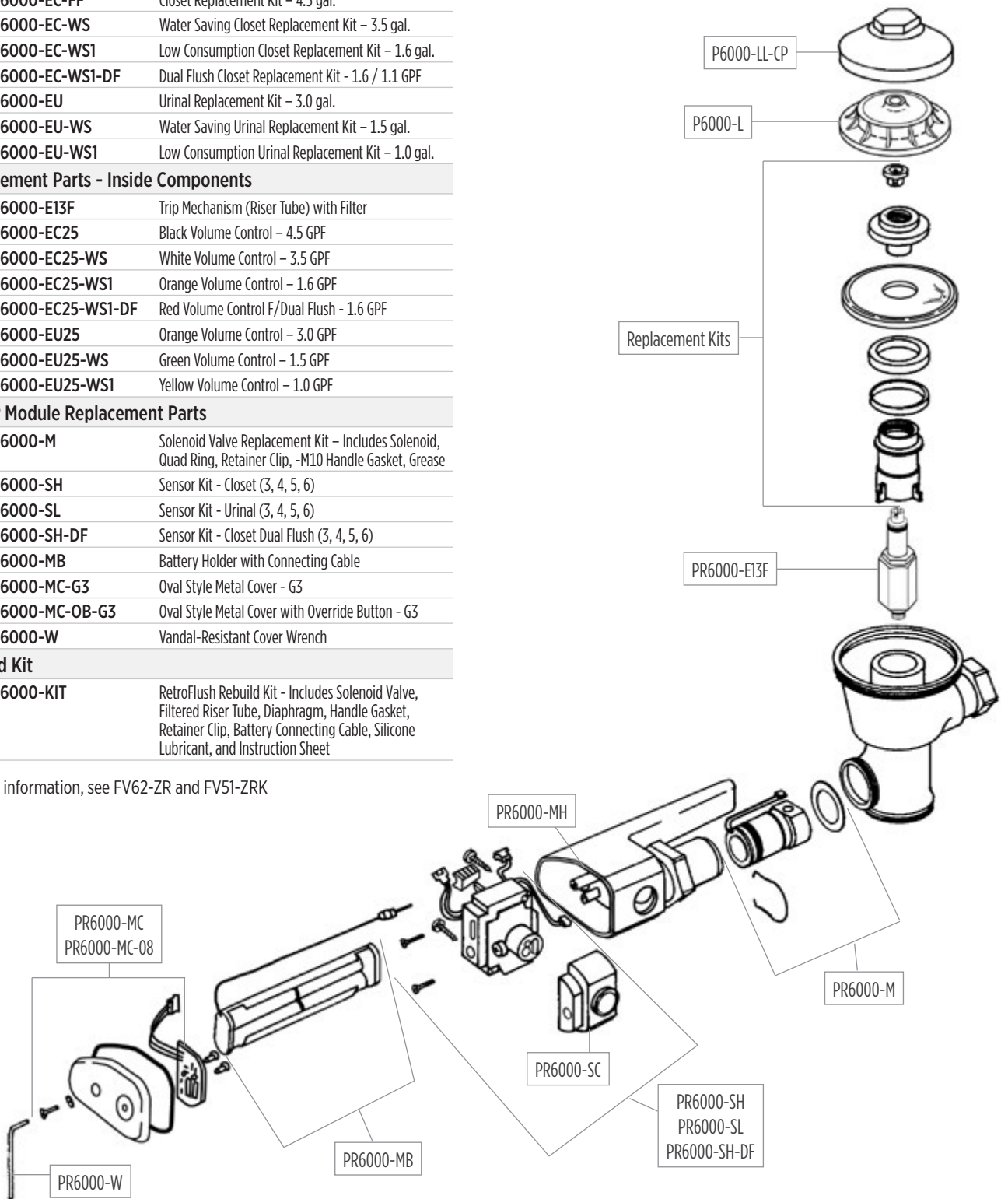
NO.	PRODUCT NO.	DESCRIPTION
	PERK6000-L-CPCR	Chrome Plastic Cover
	PERK6000-L-CPMCR	Chrome Metal Cover
	PERK6000-SCR	Replacement Lens
	PERK6000-CWR	Handle Nut Wrench
	PERK6000-BD	Battery Drawer
	PERK6000-W	Allen Wrench
	PERK6000-SR	Sensor Module
	PERK6000-RK	Repair Kit - Includes Courtesy Button Cap, O-Ring, Collar Gasket, and Seal
	PERK6000-MRK	Handle Port Repair Kit - Includes Retainer, Collar Gasket, and Seal
	PERK6000-RK	E-Z Flush Handle Repair Kit - Battery Tray O-Ring, Handle Gasket, Seal, & Rubber Push Button

For more information, see FV237

RetroFlush® Replacement Parts

NO.	PRODUCT NO.	DESCRIPTION
Covers		
	P6000-LL-CP	Outside Brass Cover - CP
	P6000-L	Inside Plastic Cover
Replacement Kits		
	PR6000-EC-FF	Closet Replacement Kit – 4.5 gal.
	PR6000-EC-WS	Water Saving Closet Replacement Kit – 3.5 gal.
	PR6000-EC-WS1	Low Consumption Closet Replacement Kit – 1.6 gal.
	PR6000-EC-WS1-DF	Dual Flush Closet Replacement Kit – 1.6 / 1.1 GPF
	PR6000-EU	Urinal Replacement Kit – 3.0 gal.
	PR6000-EU-WS	Water Saving Urinal Replacement Kit – 1.5 gal.
	PR6000-EU-WS1	Low Consumption Urinal Replacement Kit – 1.0 gal.
Replacement Parts - Inside Components		
	PR6000-E13F	Trip Mechanism (Riser Tube) with Filter
	PR6000-EC25	Black Volume Control – 4.5 GPF
	PR6000-EC25-WS	White Volume Control – 3.5 GPF
	PR6000-EC25-WS1	Orange Volume Control – 1.6 GPF
	PR6000-EC25-WS1-DF	Red Volume Control F/Dual Flush - 1.6 GPF
	PR6000-EU25	Orange Volume Control – 3.0 GPF
	PR6000-EU25-WS	Green Volume Control – 1.5 GPF
	PR6000-EU25-WS1	Yellow Volume Control – 1.0 GPF
Sensor Module Replacement Parts		
	PR6000-M	Solenoid Valve Replacement Kit – Includes Solenoid, Quad Ring, Retainer Clip, -M10 Handle Gasket, Grease
	PR6000-SH	Sensor Kit - Closet (3, 4, 5, 6)
	PR6000-SL	Sensor Kit - Urinal (3, 4, 5, 6)
	PR6000-SH-DF	Sensor Kit - Closet Dual Flush (3, 4, 5, 6)
	PR6000-MB	Battery Holder with Connecting Cable
	PR6000-MC-G3	Oval Style Metal Cover - G3
	PR6000-MC-OB-G3	Oval Style Metal Cover with Override Button - G3
	PR6000-W	Vandal-Resistant Cover Wrench
Rebuild Kit		
	PR6000-KIT	RetroFlush Rebuild Kit - Includes Solenoid Valve, Filtered Riser Tube, Diaphragm, Handle Gasket, Retainer Clip, Battery Connecting Cable, Silicone Lubricant, and Instruction Sheet

For more information, see FV62-ZR and FV51-ZRK



AquaSense® E-Z Sensor - Z6913-XL and Z6915-XL Faucets Replacement Parts

FLUSH VALVES

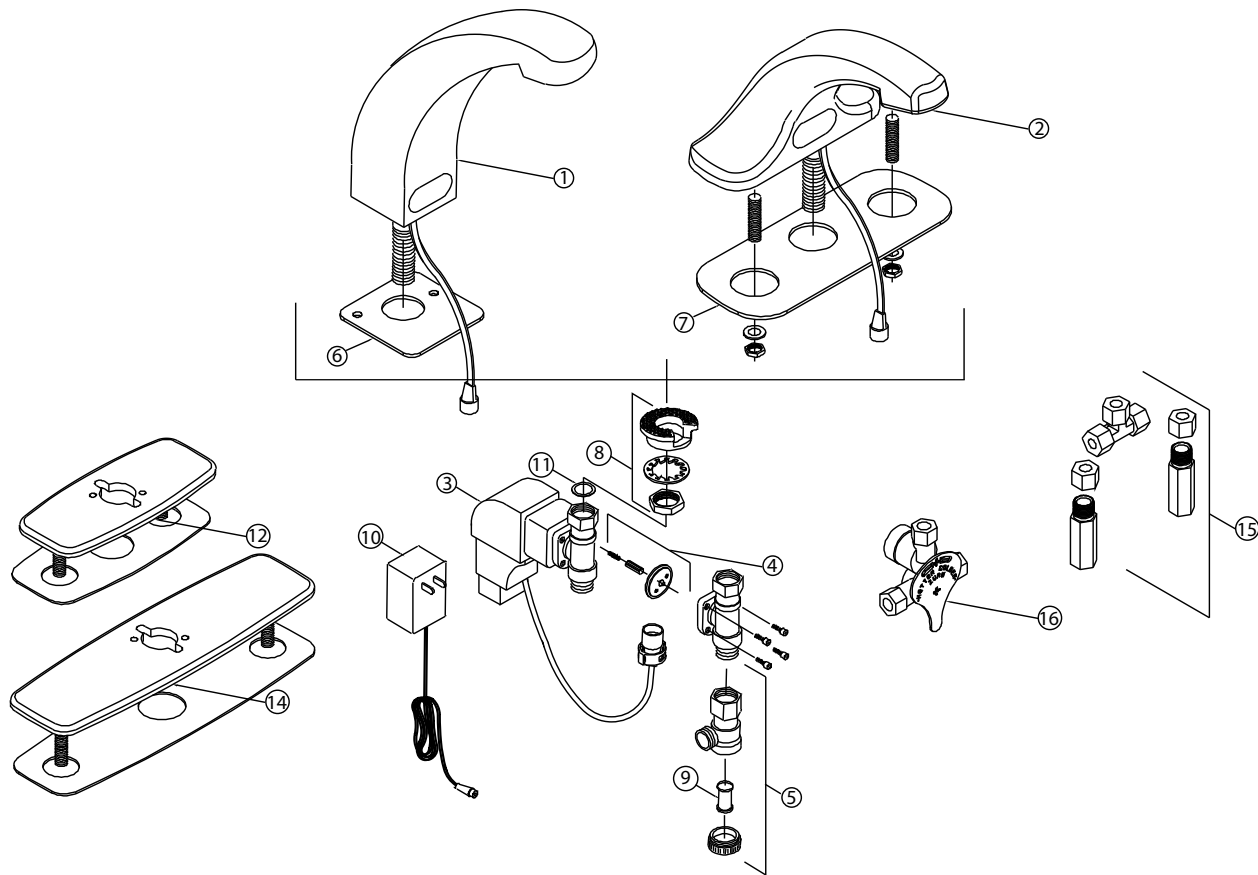
FAUCETS

TEMP-GARD®

TUBULAR BRASS

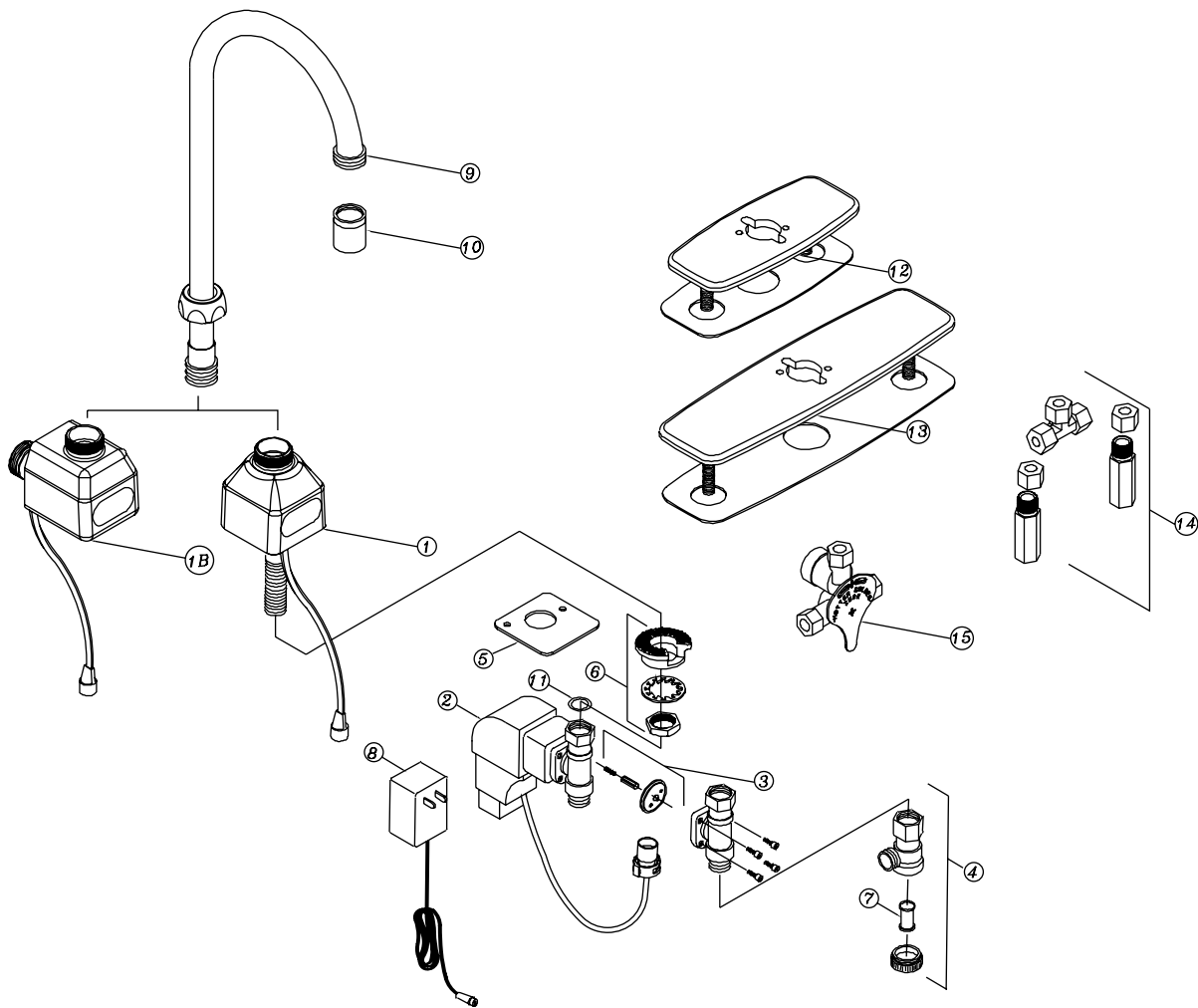
FIXTURES

AQUAPARTS® REPAIR PARTS AND ASSEMBLIES



NO.	PRODUCT NO.	DESCRIPTION
1	P6913-XL-1	Z6913-XL Spout Assembly with Sensor
2	P6915-XL-1	Z6915-XL Spout Assembly with Sensor
3	P6900-B-L	Electronics Box with Solenoid
4	P6900-SRK	Solenoid Rebuild Kit (Diaphragm, Plunger, and Plunger Spring)
5	P6900-120B	Filter Kit
6	P6913-42	Z6913-XL Base Plate Gasket
7	P6915-42	Z6915-XL Base Plate Gasket
8	P6900-43	Mounting Kit (Specify Faucet Model)
9	P6900-MV-7	Filter Screen
10	P6900-ACA	Optional Plug-in Power Converter
12	P6900-SG	Shank Connection Gasket
13	P6900-CP4	4" Cast Cover Plate with Gasket
14	P6900-CP8	8" Cast Cover Plate with Gasket
15	P6900-MT-XL	Mixing Tee with Filters and Backchecks
16	P6900-MV	Manual Mixing Valve with Filter and Backchecks

AquaSense® E-Z Sensor - Z6920-XL (Deck Mount) and Z6922-XL (Back Mount) Faucet Replacement Parts



NO.	PRODUCT NO.	DESCRIPTION
1	P6920-XL-1	Spout Base with Sensor Assembly
2	P6900-B-L	Electronics Box with Solenoid
3	P6900-SRK	Solenoid Rebuild Kit (Diaphragm, Plunger, and Plunger Spring)
4	P6900-120B	Filter Kit
5	P6920-42	Base Plate Gasket
6	P6920-43	Mounting Kit
7	P6900-MV-7	Filter Screen
8	P6900-ACA	Optional Plug-in Power Converter
9	P6900-GB	5-3/8" Gooseneck Spout with Nut
10	P6900-20E-GN	1.5 GPM Vandal-Resistant Aerator
11	P6900-SG	Shank Gasket
12	P6900-CP4	4" Cast Cover Plate with Gasket
13	P6900-CP8	8" Cast Cover Plate with Gasket
14	P6900-MT-XL	Mixing Tee with Filters and Backchecks
15	P6900-MV	Manual Mixing Valve with Filter and Backchecks

For more information, see FV321

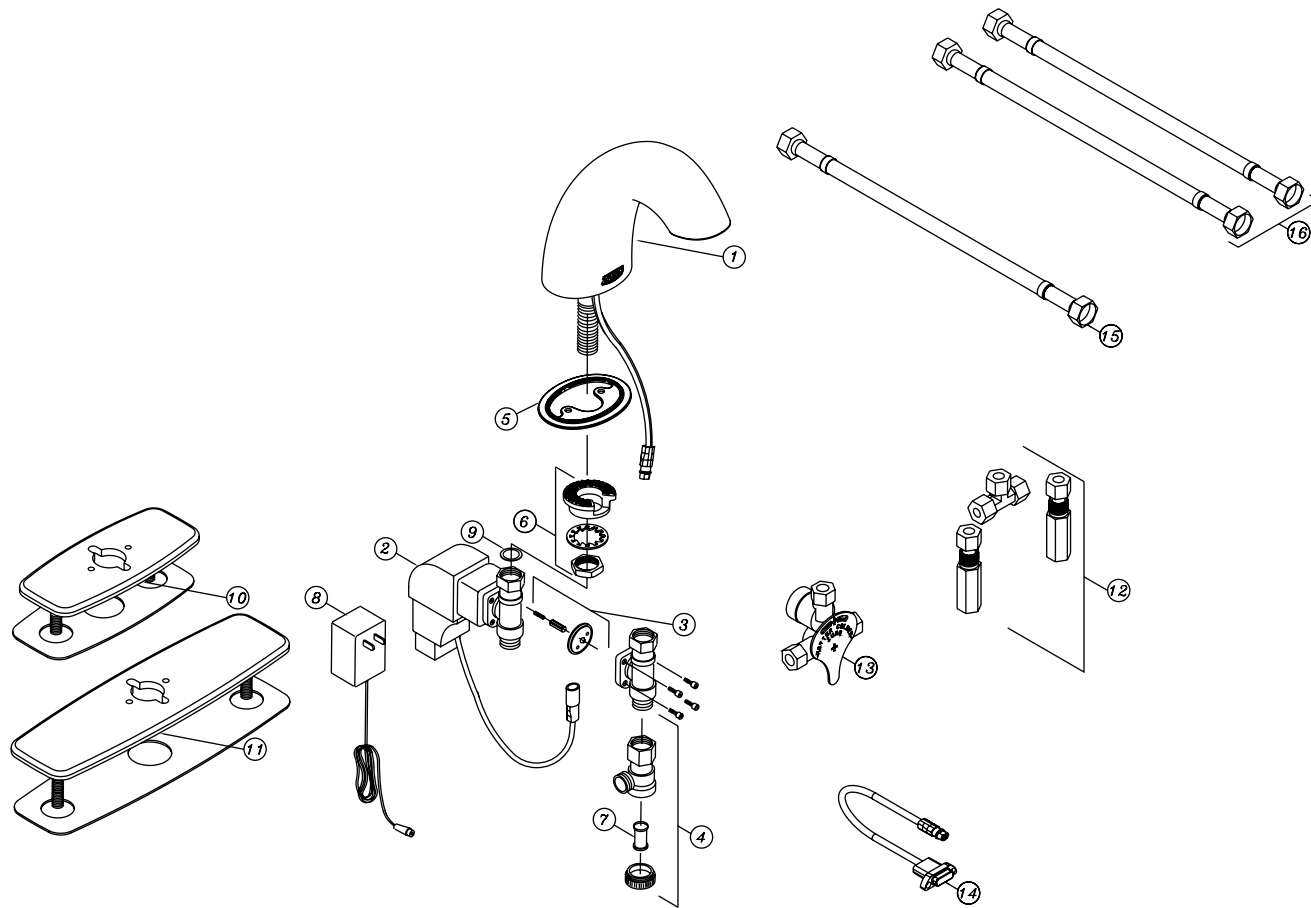
AquaSense® E-Z Sensor - Z6930-XL Faucet Replacement Parts

FLUSH VALVES

FAUCETS

TEMP-GARD®

TUBULAR BRASS



NO.	PRODUCT NO.	DESCRIPTION
1	P6930-XL-1	Z6930 Spout Assembly with Sensor
2	P6930-XL-B-L	Electronics Box with Solenoid
3	P6900-SRK	Solenoid Rebuild Kit (Diaphragm, plunger and plunger spring)
4	P6900-120B	Filter Kit
5	P6930-XL-42	Z6930 Base Plate Gasket
6	P6900-43	Mounting Kit
7	P6900-MV-7	Filter Screen
8	P6900-ACA	Optional Plug-in Power Converter
9	P6900-SG	Shank Connection Gasket
10	P6900-CP4	4" Cast Cover Plate with Gasket
11	P6900-CP8	8" Cast Cover Plate with Gasket
12	P6900-MT-XL	Mixing Tee with Filters and Back Checks
13	P6900-MV-XL	Mixing Valve with Filter
14	P6930-XL-EL	Z6930 Sensor Assembly
15	P6900-SSH	Single Stainless Supply Hose (XL)
16	P6900-SSH-2	Dual Stainless Supply Hoses (XL)

For more information, see FV254

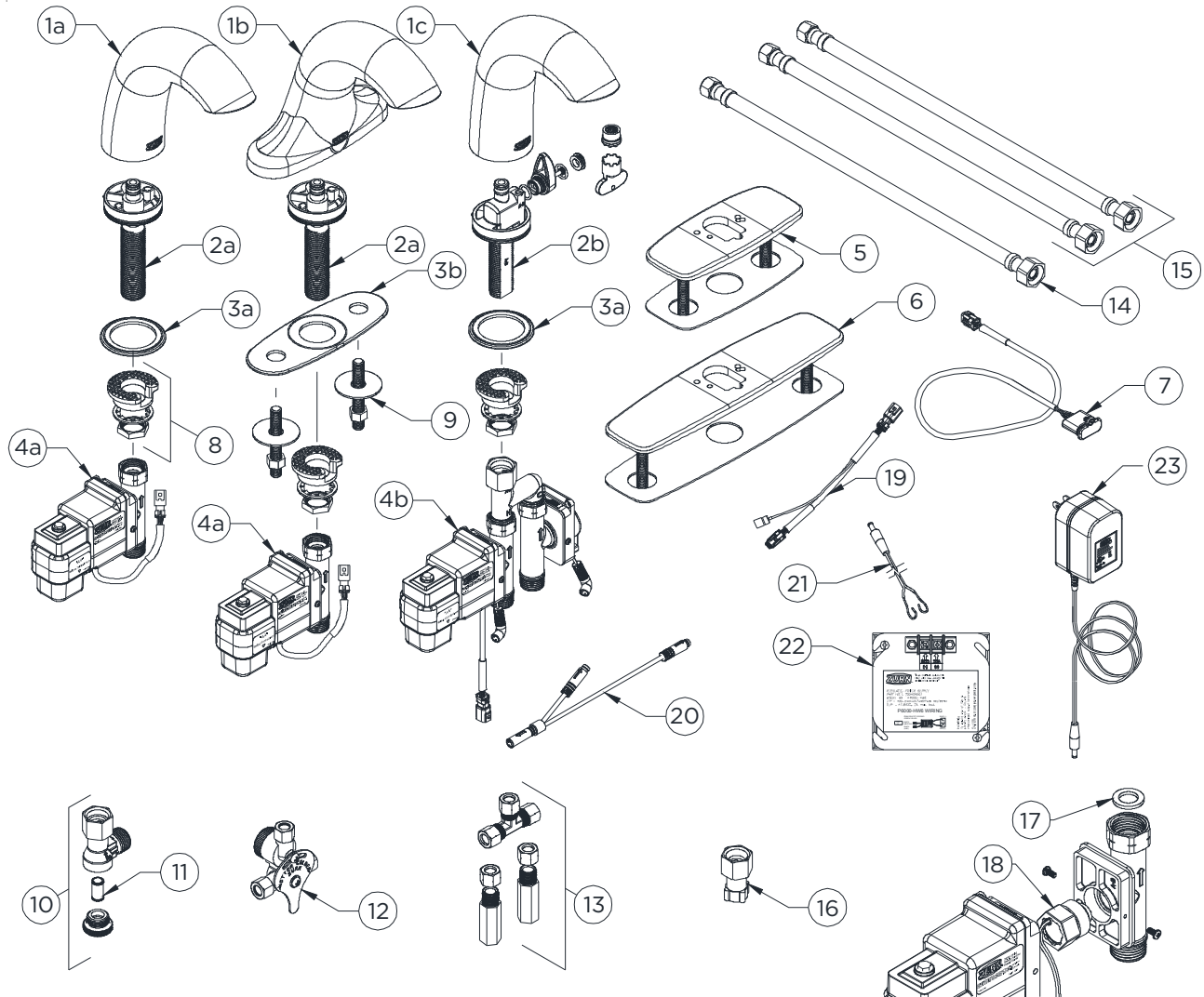
For additional product information, please visit www.zurn.com.

When ordering parts, always list product number and description.

FIXTURES

AQUAPARTS® REPAIR PARTS AND ASSEMBLIES

Z6950 Aqua-FIT® Serio Series™ Replacement Parts



NO.	PRODUCT NO.	DESCRIPTION
1a	P6950-XL-S-1	Z6950 Spout Assembly with Sensor
1b	P6955-XL-S-1	Z6955 Spout Assembly with Sensor
1c	P6950-XL-S-IM-1	Z6950-IM Spout Assembly with Sensor
2a	P6950-XL-B	Spout shank base for Z6950/Z6955-XL
2b	P6950-XL-IM-B	Spout shank base for Z6950-XL-IM
3a	P6950-XL-42	Z6950 Spout base gasket
3b	P6950-XL-44	Z6955 Spout base gasket
4a	P6950-XL-B-L	Electronics Box with Solenoid - Z6950/55-XL
4b	P6950-XL-IM-B-L	Electronics Box with Solenoid - Z6950-XL-IM
i	P6950-XL-Y	Y pipe adaptor for Z6950-XL-IM model
ii	P6950-XL-H	Mixing Handle for Z6950-XL-IM model
iii	P6950-XL-C	Mixing handle plug/cap for Z6950-XL-IM
iv	P6950-XL-OS	Handle O-ring & Handle Screw for Z6950-XL-IM model
5	P6950-CP4	4" Cast Cover Plate w/Gasket
6	P6950-CP8	8" Cast Cover Plate w/Gasket
7	P6950-XL-EL	Z6950 Sensor Assembly

NO.	PRODUCT NO.	DESCRIPTION
8	P6900-43	Mounting Kit
9	P6912-43M	Widespread Mounting Kit
10	P6900-120	Filter Kit
11	P6900-MV-7	Filter Screen
12	P6900-XL-MV	Mixing Valve w/Filter
13	P6900-XL-MT	Mixing Tee w/Filters and Back Checks
14	P6900-SSH	Single Stainless Supply Hose (XL)
15	P6900-SH	Stainless Supply Hoses (XL)
16	P6900-MV-ADAP	Composite Mixing Valve Adaptor
17	P6900-SG	Shank Connection Gasket
18	P6950-SRK	Solenoid Rebuild Kit (Diaphragm, plunger and plunger spring)
19	P6950-XL-DC	Sensor Inline Connector
20	P6950-XL-YC	IM Solenoid Y Connector
21	P6900-CWB	-CWB Pigtail
22	P6900-HW6	-HW6 Power Supply
23	P6900-ACA	Optional Plug-in Power Converter

When ordering parts, always list product number and description.

For additional product information, please visit www.zurn.com.

ALPHANUMERIC INDEX

7000-3	98	61488001	82	G61681	82	G66683	83	G68046	52	P6000-A-CP	147
7000-3D	98	61534001	82	G61754	83	G66684	83	G68047	51	P6000-A-CP	169
7000-6C	98	61602001	82	G61830	83	G66695	51	G68048	52	P6000-A-CP	171
7000-11D	98	61625001	82	G61859	82	G66696	51	G68049	51	P6000-A-CP	172
7000-12E	99	61625002	82	G61920	84	G66697	51	P5795-1	138	P6000-A-RB**	147
7000-32	98	61699001	80	G61922	84	G66698	52	P5795-1	161	P6000AV-C-SD-CP	148
7000-90	98	61766001	82	G61924	84	G66699	52	P5795-2	138	P6000AV-C-SD-CP	172
7073-33	95	61896001	81	G61928	84	G66700	51	P5795-2	161	P6000-B	167
7073-80	95	61896001	84	G61994	96	G66701	52	P5795-3	138	P6000-B-HP	148
7073-81	95	62301001	84	G61995	84	G67774	51	P5795-3	161	P6000-B-HP	165
7080-92	96	62455001	82	G62494	49	G67775	52	P5795-4	138	P6000-B-HP	166
7081-92	96	62464001	83	G62494	84	G67788	96	P5795-4	161	P6000-B-HP	168
7082-92	96	62705001	83	G62619	51	G67795	51	P5795-5	138	P6000-B-HP	169
7300-81MT	99	63219001	84	G62620	51	G67796	52	P5795-5	161	P6000-B-HP	170
7340-920	99	63233001	82	G62621	51	G67800	96	P5795-6	138	P6000-B-HP	171
7340-920-STN	99	63234001	83	G62738	80	G67801	99	P5795-6	161	P6000-B-HP	172
7342-PUA	99	63534001	82	G62739	80	G67812	99	P5795-7	138	P6000-B-HP	175
7342-PUA-STN	99	80242001	82	G62740	80	G67814	52	P5795-7	161	P6000-C30	148
7440-94FC/WK	99	92407001	81	G62753	52	G67815	52	P5795-8	138	P6000-C30	151
7440-94LA	99	92882001	82	G63237	83	G67816	51	P5795-8	161	P6000-C30	166
7440-94VP/WK	99	93354001	82	G63241	82	G67817	51	P5795-9	138	P6000-C30	167
7500-29	99	G60500	83	G63258	51	G67851	49	P5795-9	161	P6000-C30	168
58155018	84	G60501	50	G63272	82	G67851	84	P5795-10	138	P6000-C30	177
58252001	82	G60501	83	G63347	83	G67852	49	P5795-10	161	P6000-C31	148
59435001	84	G60501	99	G63361	82	G67852	84	P6000-1-A-AA-CP	147	P6000-C31	151
59436001	84	G60502	82	G63362	82	G67853	49	P6000-1-A-AA-RB	176	P6000-C31	165
59440001	82	G60503	50	G63363	82	G67853	84	P6000-1-A-CP	147	P6000-C31	166
59441001	84	G60503	83	G63364	83	G67856	84	P6000-1-A-CP	170	P6000-C31	167
59454001	83	G60503	99	G63366	82	G67857	84	P6000-1-A-RB**	147	P6000-C31	168
59454002	83	G60504	50	G63367	82	G67858	84	P6000-1-TPO	10	P6000-C31	169
59454003	83	G60504	83	G63384	52	G67866	84	P6000-2-A-AA-CP	147	P6000-C31	177
59459001	84	G60504	99	G63411	52	G67867	84	P6000-2-A-AA-CP	176	P6000-C32	167
59460001	84	G60508	50	G63413	51	G67868	84	P6000-2-A-CP	147	P6000-C32-CP	148
59517005	82	G60508	83	G63414	52	G67869	84	P6000-2-A-RB	147	P6000-C32-CP	151
59517006	82	G60508	99	G63464	83	G67889	83	P6000-2-TPO	10	P6000-C32-CP	168
59517007	82	G60515	50	G63504	51	G67890	49	P6000-3-A-AA-CP	147	P6000-C32-CP	177
59517008	82	G60515	83	G63505	52	G67890	84	P6000-3-A-AA-CP	176	P6000-C32-G-CP	148
59532001	82	G60522	83	G63506	52	G67891	49	P6000-3-A-CP	147	P6000-C32-G-CP	151
59666001	84	G60522	96	G63507	52	G67891	84	P6000-3-A-RB**	147	P6000-C32-G-RB	148
60077001	82	G60523	84	G63508	52	G67892	49	P6000-3-TPO	10	P6000-C32-G-RB	151
60078001	82	G60525	52	G63509	51	G67892	84	P6000-17-A-RB**	147	P6000-C32-RB	148
60080002	82	G60526	49	G63510	84	G67893	49	P6000-18A-01.5	147	P6000-C32-RB	151
60082001	82	G60526	84	G63511	51	G67893	84	P6000-19	156	P6000-C32-RB	166
60144001	82	G60528	83	G63512	51	G67894	49	P6000-19	177	P6000-C32-RB	177
60145001	82	G60530	82	G63561	52	G67894	84	P6000-19-JI	156	P6000-C33	148
60145002	82	G60548	83	G65333	82	G67895	49	P6000-19-RB	156	P6000-C33	172
60146001	82	G60551	83	G65336	83	G67895	84	P6000-22A-01.0**	147	P6000-C33-WH	148
60147001	82	G60553	84	G65339	82	G67898	82	P6000-22A-01.5**	147	P6000-C34-CP	148
60148001	82	G60554	84	G65503	83	G67915	82	P6000-22A-2.0**	147	P6000-C34-CP	177
60249332	82	G60555	84	G65505	82	G67922	82	P6000-24A-01.0	147	P6000-C34-RB	148
60382001	82	G60556	49	G65506	82	G67923	82	P6000-24A-01.5	147	P6000-C34-RB	177
60383001	82	G60556	84	G65508	52	G67924	52	P6000-24A-02.0	147	P6000-C34-YO	148
60444001	82	G60557	84	G65509	51	G67925	51	P6000-30-A-AA-CP	147	P6000-C36-RB	153
60444002	82	G60558	83	G65514	82	G67963	49	P6000-30-A-CP	147	P6000-C36-RB	166
60445001	82	G60561	83	G66001	81	G67963	84	P6000-30-A-RB**	147	P6000-CG-SD-CP	148
60455001	82	G60561	96	G66002	81	G67964	49	P6000-36-A-AA-CP	147	P6000-CG-WH-CP	148
60460001	83	G60562	83	G66003	81	G67964	84	P6000-36-A-CP	147	P6000-C-SD-CP	148
60460002	83	G60573	50	G66004	81	G67983	84	P6000-A	165	P6000-C-SD-CP	165
60460003	83	G60573	83	G66005	81	G67984	84	P6000-A	167	P6000-C-SD-CP	168
60467001	82	G60574	50	G66601	51	G67985	84	P6000-A	168	P6000-C-SD-CP	169
60467002	82	G60574	83	G66601	80	G67986	84	P6000-A-AA-CP	147	P6000-C-SD-CP	171
60505001	82	G60576	50	G66602	52	G67987	84	P6000-A-AA-CP	176	P6000-C-SD-CP	175
60510001	84	G60576	83	G66602	80	G67990	49	P6000-A-AA-RB	176	P6000-C-SD-CP	175
60524001	82	G61071	50	G66604	83	G67990	84	P6000-AA-CP	147	P6000-C-WH-CP	148
60549001	84	G61071	83	G66605	83	G67991	49	P6000-AA-CP	165	P6000-C-WH-CP	175
60807001	82	G61072	50	G66618	83	G67991	84	P6000-AA-CP	169	P6000-C-WH-RB	148
60816001	82	G61072	83	G66619	49	G67992	49	P6000-AA-CP	170	P6000-C-WH-RB	166
60951001	84	G61073	82	G66619	84	G67992	84	P6000-AA-CP	171	P6000-C-WH-RB	168
61276002	82	G61078	84	G66678	83	G68012	52	P6000-AA-CP	172	P6000-C-WH-RB	175
61276003	82	G61080	82	G66679	83	G68013	51	P6000-AA-RB	147	P6000-D35	148
61283002	82	G61318	52	G66680	83	G68014	52	P6000-ACA-BA	172	P6000-D42	148
61319001	82	G61640	83	G66681	83	G68015	51	P6000-ACA-BA	173	P6000-D42	167
61406001	82	G61641	83	G66682	83	G68020	83	P6000-ACA-BA	174	P6000-D42	169

For additional product information, please visit www.zurn.com.

P6000-D42	171	P6000-EUA-FF	166	P6000-JIG-CP	151	P6000-MK	167	P6000-P4	154	P6000-TPF	156
P6000-D42	172	P6000-EUA-FF	168	P6000-JI-RB	166	P6000-MK	169	P6000-P4	170	P6000-TPO	10
P6000-D42	177	P6000-EUA-FF-RK	149	P6000-J2	151	P6000-ML	151	P6000-P8	154	P6000-VC	148
P6000-D-SD	148	P6000-EUA-ULF	149	P6000-J3	151	P6000-ML3	151	P6000-P8	170	P6000-VC	165
P6000-D-SD	165	P6000-EUA-ULF	165	P6000-J4	151	P6000-ML3-4	151	P6000-P8-1	154	P6000-VC	171
P6000-D-SD	167	P6000-EUA-ULF	177	P6000-J5	151	P6000-ML3-4	153	P6000-P8-1	170	P6000-VC	172
P6000-D-SD	168	P6000-EUA-ULF-RK	149	P6000-J6	151	P6000-ML4	151	P6000-P8-3	154	P6000-VC	175
P6000-D-SD	169	P6000-EUA-WS	149	P6000-J7	151	P6000-ML4	153	P6000-P15	154	P6000-VC-SS	148
P6000-D-SD	172	P6000-EUA-WS	165	P6000-J9	151	P6000-M-ORK-0.5	154	P6000-P15	170	P6000-VC-SS	177
P6000-D-SD	177	P6000-EUA-WS	166	P6000-J10	17	P6000-M-ORK-0.125	154	P6000-P15-LO	154	P6000-VC-W-VP	148
P6000-D-VP	167	P6000-EUA-WS	168	P6000-J10	34	P6000-M-ORK-1.0	154	P6000-P15-LO	170	P6000-VC-W-VP	177
P6000-D-WH	148	P6000-EUA-WS	177	P6000-J10	36	P6000-M-ORK-1.5	154	P6000-P50	154	P6000-YB	156
P6000-D-WH	166	P6000-EUA-WS1	149	P6000-J10	151	P6000-M-ORK-1.6	154	P6000-P50	157	P6000-YB	167
P6000-D-WH	177	P6000-EUA-WS1	165	P6000-J11	151	P6000-M-ORK-1.28	154	P6000-PC6	158	P6000-YBA	156
P6000-E14	150	P6000-EUA-WS1	166	P6000-K	177	P6000-MYV	151	P6000-PN18	154	P6000-YBA	166
P6000-E14	167	P6000-EUA-WS1	168	P6000-KWIK-TURN	150	P6000-MYW4	151	P6000-PN18	170	P6000-YBA	171
P6000-E16	150	P6000-EUA-WS1	177	P6000-L	151	P6000-MYW4	153	P6000-PN19	154	P6000-YBA	172
P6000-E16-LP	150	P6000-EUA-WS1-RK	149	P6000-L	165	P6000-MYWK	151	P6000-PN19	170	P6000-YB-CVR	156
P6000-E16-WS1	150	P6000-EUA-WS-RK	149	P6000-L	166	P6000-N	166	P6000-PN20	154	P6000-YB-CVR	177
P6000-EC13	150	P6000-EUR-EWS	149	P6000-L	166	P6000-N1	153	P6000-PN20	170	P6000-YB-CVR6	172
P6000-EC13	167	P6000-EUR-EWS-RK	149	P6000-L	167	P6000-N1B	153	P6000-PN21	154	P6000-YB-CVR7	36
P6000-ECA	172	P6000-EUR-FF	149	P6000-L	168	P6000-N1B-W	153	P6000-PN21	170	P6000-YB-CVR7	156
P6000-ECA-FF	149	P6000-EUR-FF	166	P6000-L	172	P6000-N3	153	P6000-PN22	154	P6000-YB-CVR36	36
P6000-ECA-FF	166	P6000-EUR-FF	167	P6000-L	177	P6000-N-3.75L	152	P6000-PN22	170	P6000-YB-CVR36	156
P6000-ECA-FF	168	P6000-EUR-FF	168	P6000-L	179	P6000-N3B	153	P6000-QE1-CP	155	P6000-YBYC	156
P6000-ECA-FF-RK	149	P6000-EUR-FF-RK	149	P6000-LL-CP	151	P6000-N-4.75L	152	P6000-QE2-CP	155	P6000-YBYC	165
P6000-ECA-HET	149	P6000-EUR-FP	150	P6000-LL-CP	165	P6000-N-5.75L	152	P6000-QE3-CP	155	P6000-YBYC	168
P6000-ECA-HET	165	P6000-EUR-WS	149	P6000-LL-CP	167	P6000-N-6.75L	152	P6000-QE3-CP	176	P6000-YBYC	169
P6000-ECA-HET	177	P6000-EUR-WS	166	P6000-LL-CP	168	P6000-N-7.75L	152	P6000-QE3-RB	155	P6000-YBYC	171
P6000-ECA-HET-RK	149	P6000-EUR-WS	167	P6000-LL-CP	172	P6000-N-8.75L	152	P6000-QE3-RB	176	P6000-YBYC	172
P6000-ECA-PWS	149	P6000-EUR-WS	168	P6000-LL-CP	177	P6000-N-9.75L	152	P6000-QE5-RB	155	P6000-YBYC	175
P6000-ECA-PWS	165	P6000-EUR-WS1	149	P6000-LL-CP	179	P6000-N-10.75L	152	P6000-QE6-RB	155	P6000-YC	156
P6000-ECA-PWS-RK	149	P6000-EUR-WS1	166	P6000-LL-RB	151	P6000-N-11.75L	152	P6000-QFC	166	P6000-YC	172
P6000-ECA-WS	149	P6000-EUR-WS1	167	P6000-LL-RB	166	P6000-N-12.75L	152	P6000-QFC-1	155	P6000-YC	177
P6000-ECA-WS	165	P6000-EUR-WS1	168	P6000-LL-RB	166	P6000-N-13.75L	152	P6000-QFC-2	155	P6000-YC-SS	177
P6000-ECA-WS	166	P6000-EUR-WS1-RK	149	P6000-LL-RB	177	P6000-N-14.75L	152	P6000-QFC-3	155	P6000-YE	156
P6000-ECA-WS	168	P6000-EUR-WS1-RK	167	P6000-LLS	151	P6000-NK	153	P6000-QFC-4	155	P6000-YH	156
P6000-ECA-WS	177	P6000-EUR-WS-RK	149	P6000-M1-CP	151	P6000-NK	166	P6000-QFC-5	155	P6000-YJ	156
P6000-ECA-WS1	149	P6000-EUR-WS-RK	167	P6000-M1-RB	151	P6000-NL	166	P6000-QFC-6	155	P6000-YJ8	156
P6000-ECA-WS1	165	P6000-FA	151	P6000-M1-RB	153	P6000-NL3	166	P6000-QFC-7	155	P6000-YJ12	156
P6000-ECA-WS1	166	P6000-FA	171	P6000-M4	151	P6000-NL3-3.75L	153	P6000-QFC-8	155	P6000-YK	156
P6000-ECA-WS1	168	P6000-G	150	P6000-M4	153	P6000-NL3-4.75L	153	P6000-QFC-9	155	P6000-YK8	156
P6000-ECA-WS1	177	P6000-G-TUBE	150	P6000-M4-ADA	151	P6000-NL3-5.75L	153	P6000-QFC-10	155	P6000-YK12	156
P6000-ECA-WS1-RK	149	P6000-H	150	P6000-M4-BG	151	P6000-NL3-6.75L	153	P6000-QFC-11	155	P6000-YO	156
P6000-ECA-WS-RK	149	P6000-H	165	P6000-M9	151	P6000-NL3-7.75L	153	P6000-QFC-12	155	P6001-A-AA-CP**	147
P6000-ECR-FF	149	P6000-H	167	P6000-M9	153	P6000-NL3-8.75L	153	P6000-QFC-13	155	P6001-A-CP**	147
P6000-ECR-FF	166	P6000-H	168	P6000-M9	166	P6000-NL3-9.75L	153	P6000-QFC-14	155	P6001-2-A-AA-CP	147
P6000-ECR-FF	167	P6000-H	169	P6000-M9	167	P6000-NL3-10.75L	153	P6000-QFC-15	155	P6001-2-A-CP	147
P6000-ECR-FF	168	P6000-H	170	P6000-M10	151	P6000-NL3-11.75L	153	P6000-QFC-16	155	P6001-3-A-AA-CP**	147
P6000-ECR-FF-RK	149	P6000-H	171	P6000-M10	152	P6000-NL3-12.75L	153	P6000-QFC-17	155	P6001-3-A-CP**	147
P6000-ECR-FP	150	P6000-H	172	P6000-M10	153	P6000-NL3-13.75L	153	P6000-QFC-18	155	P6001-10-A-AA-RB	176
P6000-ECR-PWS	149	P6000-H	176	P6000-M10	165	P6000-NL3-14.75L	153	P6000-QFC-19	155	P6001-10-A-RB	147
P6000-ECR-PWS-RK	149	P6000-H26	150	P6000-M10	166	P6000-NL-3.75L	152	P6000-QFC-20	155	P6001-A-AA-CP	147
P6000-ECR-WS	149	P6000-H27	150	P6000-M10	167	P6000-NL-4.75L	152	P6000-QFC-21	155	P6001-A-AA-CP	176
P6000-ECR-WS	166	P6000-H28	150	P6000-M10	169	P6000-NL-5.75L	152	P6000-QFC-22	155	P6001-A-CP	147
P6000-ECR-WS	167	P6000-HN-CP	150	P6000-M10	172	P6000-NL-6.75L	152	P6000-QFC-23	155	P6001-A-CP	169
P6000-ECR-WS	168	P6000-HN-CP	170	P6000-M10	173	P6000-NL-7.75L	152	P6000-QFC-24	155	P6001-G-TUBE	150
P6000-ECR-WS1	149	P6000-HN-RB	150	P6000-M10	174	P6000-NL-8.75L	152	P6000-QFC-27	155	P6001-H	150
P6000-ECR-WS1	166	P6000-HN-RB	166	P6000-M-ADA	151	P6000-NL-9.75L	152	P6000-QFC-28	155	P6001-H	165
P6000-ECR-WS1	167	P6000-HN-CP	150	P6000-M-ADA	152	P6000-NL-10.75L	152	P6000-QTI-4-CP	155	P6001-H	167
P6000-ECR-WS1	168	P6000-HNS-RB	150	P6000-M-ADA	165	P6000-NL-11.75L	152	P6000-QTI-6-CP	155	P6001-H	168
P6000-ECR-WS1-RK	149	P6000-HW6	20	P6000-M-ADA	167	P6000-NL-12.75L	153	P6000-QTI-8-CP	155	P6001-H	169
P6000-ECR-WS1-RK	167	P6000-HW6	23	P6000-M-ADA	169	P6000-NL-13.75L	153	P6000-QTI-10-CP	155	P6001-H	176
P6000-ECR-WS-RK	149	P6000-HW6	41	P6000-M-ADA-BG	151	P6000-NL-14.75L	153	P6000-QTI-12-CP	155	P6001-H26	150
P6000-ECR-WS-RK	167	P6000-HW6	44	P6000-M-ADA-BG-DF	151	P6000-NYW2	153	P6000-QTI-16-CP	155	P6001-H27	150
P6000-EER	150	P6000-HW6	45	P6000-M-ADA-DF	151	P6000-NYW3	153	P6000-QTI-18-CP	155	P6001-H28	150
P6000-EG	150	P6000-HW6	158	P6000-M-AV-ADA	151	P6000-NYW-3.75L	153	P6000-QTI-XX	176	P6001-HN-CP	150
P6000-EGR	150	P6000-HW6	162	P6000-MH	151	P6000-NYW-4.75L	153	P6000-QT3-4-RB	155	P6001-HN-RB	150
P6000-EGU-WS1	150	P6000-HW6	172	P6000-MH	167	P6000-NYW-5.75L	153	P6000-QT3-6-RB	155	P6001-HN-RB	166
P6000-EG-WS1	150	P6000-HW6	173	P6000-MHK	151	P6000-NYW-6.75L	153	P6000-QT3-8-RB	155	P6001-YB	177
P6000-ER15	150	P6000-HW6	174	P6000-MHK	167	P6000-NYW-7.75L	153	P6000-QT3-10-RB	155	P6001-YBA	177
P6000-ER15	167	P6000-HW9	45	P6000-MJ	20	P6000-NYW-8.75L	153	P6000-QT3-12-RB	155	P6003-1-A-AA-CP**	147
P6000-EU13	150	P6000-HW12	45	P6000-MJ	23	P6000-NYW-9.75L	153	P6000-QT3-16-RB	155	P6003-1-A-CP**	147
P6000-EU13	167	P6000-J	177	P6000-MJ	158	P6000-NYW-10.75L	153	P6000-QT3-18-RB	155	P6003-1-A-RB	147
P6000-EUA	172	P6000-J1	151	P6000-MJ	162	P6000-NYW-11.75L	153	P6000-QT3-XX	176	P6003-2-A-AA-CP	147
P6000-EUA-EWS	149	P6000-J1	165	P6000-MJ	173	P6000-NYW-12.75L	153	P6000-QT4	155	P6003-2-A-CP	147
P6000-EUA-EWS	165	P6000-J1	167	P6000-MJ	174	P6000-NYW-13.75L	153	P6000-R1	156	P6003-3-A-AA-CP**	147
P6000-EUA-EWS	177	P6000-J1	168	P6000-MK	151	P6000-NYW-14.75L	153	P6000-TPE	10	P6003-3-A-CP**	147
P6000-EUA-EWS-RK	149	P6000-J1	169	P6000-MK	152	P6000-P3	154	P6000-TPE	156	P6003-10-A-AA-RB	176
P6000-EUA-FF	149	P6000-J1	172	P6000-MK	165	P6000-P3	170	P6000-TPF	10	P6003-10-A-RB	147

For additional product information, please visit www.zurn.com.

P6003-A-AA-CP	147	P6200-LL-CG	169	P6900-BAT-AA	163	P6900-SRK	181	P6950-CP4	183	PEMS6000-HYM-G2	175
P6003-A-AA-CP	176	P6200-LL-CP	152	P6900-BAT-AA	163	P6900-SRK	182	P6950-CP4-1	164	PEMS6000-HYM-IS	158
P6003-A-CP	147	P6200-LL-CP	169	P6900-BAT-AA	163	P6900-SSH	45	P6950-CP8	161	PEMS6000-HYM-IS	172
P6003-A-CP	169	P6200-MS	152	P6900-B-BD	163	P6900-SSH	162	P6950-CP8	164	PEMS6000-HYM-IS	173
P6003-A-CP	172	P6200-MS	169	P6900-B-BD	163	P6900-SSH	182	P6950-CP8	183	PEMS6000-HYM-IS	174
P6003-A-RB**	147	P6203-EU-EWS	152	P6900-B-L	163	P6900-SSH	183	P6950-CP8-2	161	PEMS6000-HYM-IS-FM12	158
P6003AV-C-SD-CP	148	P6203-EU-WS	169	P6900-B-L	163	P6900-SSH-2	162	P6950-SRK	41	PEMS6000-IS-CW	158
P6003-B-HP	148	P6203-EU-WSI	169	P6900-B-L	163	P6900-SSH-2	182	P6950-SRK	164	PEMS6000-IS-CW	172
P6003-C-SD-CP	148	P6900-20E	44	P6900-B-L	180	P6900-SSH-3	162	P6950-SRK	183	PERK6000-BD	158
P6003-C-SD-CP	165	P6900-20E	161	P6900-B-L	181	P6900-TMV-1-XL	45	P6950-XL-42	41	PERK6000-BD	178
P6003-C-SD-CP	168	P6900-20E-CG	44	P6900-CP4	45	P6900-TMV-XL	45	P6950-XL-42	164	PERK6000-BUTTON	158
P6003-C-SD-CP	169	P6900-20E-CG	161	P6900-CP4	162	P6900-XL-ADM	162	P6950-XL-42	183	PERK6000-BUTTON-HARD	158
P6003-C-SD-CP	175	P6900-20E-GN	44	P6900-CP4	180	P6900-XL-MT	162	P6950-XL-44	41	PERK6000-CWR	158
P6003-C-SD-RB	175	P6900-20E-GN	161	P6900-CP4	181	P6900-XL-MT	183	P6950-XL-44	164	PERK6000-CWR	178
P6003-C-WH-CP	148	P6900-20E-GN	181	P6900-CP4	182	P6900-XL-MT-1	162	P6950-XL-44	183	PERK6000-L-CP	158
P6003-C-WH-CP	175	P6900-20E-GN-CG	44	P6900-CP4-1	162	P6900-XL-MV	183	P6950-XL-B	41	PERK6000-L-CP	178
P6003-C-WH-RB	148	P6900-20E-GN-CG	161	P6900-CP4-GSK	162	P6900-XL-TMV	162	P6950-XL-B	164	PERK6000-L-CPMCR	158
P6003-C-WH-RB	166	P6900-20ES	44	P6900-20ES	45	P6900-XL-TMV-1	162	P6950-XL-B	183	PERK6000-L-CPMCR	178
P6003-C-WH-RB	168	P6900-20ES	161	P6900-CP8	162	P6912-43M	183	P6950-XL-B-L	41	PERK6000-MO	158
P6003-C-WH-RB	175	P6900-20F	44	P6900-CP8	180	P6913-42	180	P6950-XL-B-L	164	PERK6000-MRK	158
P6003-D-SD	148	P6900-20F	161	P6900-CP8	181	P6913-WEDGE	163	P6950-XL-B-L	183	PERK6000-MRK	178
P6003-D-WH	148	P6900-20F-GN	44	P6900-CP8	182	P6913-XL-1	163	P6950-XL-C	41	PERK6000-MRK	158
P6003-G	150	P6900-20F-GN	161	P6900-CP8-2	162	P6913-XL-1	180	P6950-XL-C	164	PERK6000-RK	178
P6003-H	150	P6900-20FS	44	P6900-CP8-GSK	162	P6915-42	163	P6950-XL-C	183	PERK6000-RK	178
P6003-H	165	P6900-20FS	161	P6900-CWB	44	P6915-42	180	P6950-XL-DC	41	PERK6000-RK	158
P6003-H	167	P6900-20-GN	44	P6900-CWB	45	P6915-MOUNTING-KIT	163	P6950-XL-DC	164	PERK6000-SCR	178
P6003-H	168	P6900-20-GN	161	P6900-CWB	162	P6915-WEDGE	163	P6950-XL-DC	183	PERK6000-SR	158
P6003-H	169	P6900-20J	44	P6900-CWB	183	P6915-XL-1	163	P6950-XL-EL	41	PERK6000-SR	178
P6003-H	171	P6900-20J	161	P6900-CWB-1	162	P6915-XL-1	180	P6950-XL-EL	164	PERK6000-W	158
P6003-H	172	P6900-20J-GN	44	P6900-GA	45	P6918-20E	163	P6950-XL-EL	183	PERK6000-W	178
P6003-H	176	P6900-20J-GN	161	P6900-GA	163	P6918-20F	163	P6950-XL-H	41	PERK6000-W-TC	158
P6003-H26	150	P6900-20JS	44	P6900-GB	45	P6918-100-HP	163	P6950-XL-H	164	PESS6000-22	158
P6003-H27	150	P6900-20JS	161	P6900-GB	163	P6918-120	163	P6950-XL-H	183	PESS6000-22	173
P6003-H28	150	P6900-20K	44	P6900-GB	181	P6918-BAT	163	P6950-XL-IM-B	41	PESS6000-22A	158
P6003-HN-CP	150	P6900-20K	161	P6900-GC	45	P6918-B-L	163	P6950-XL-IM-B	164	PESS6000-22A	174
P6003-HN-RB	150	P6900-20K-GN	44	P6900-GC	163	P6918-CP4	163	P6950-XL-IM-B	183	PESS6000-22B	158
P6003-HN-RB	166	P6900-20K-GN	161	P6900-GEN	45	P6918-CP8	163	P6950-XL-IM-B-L	41	PESS6000-22C	158
P6003-QFC-25	155	P6900-20L	44	P6900-GEN	162	P6918-RC	163	P6950-XL-IM-B-L	164	PESS6000-22D	158
P6003-YB	156	P6900-20L	161	P6900-GEN-BAT	162	P6918-W	163	P6950-XL-IM-B-L	183	PESS6000-23	158
P6003-YB	167	P6900-20L-GN	44	P6900-H4	162	P6920-42	163	P6950-XL-IM-SPOUT	41	PESS6000-24	158
P6003-YB	177	P6900-20L-GN	161	P6900-HW6	183	P6920-42	181	P6950-XL-IM-SPOUT	164	PESS6000-24	173
P6003-YBA	156	P6900-20LS	44	P6900-IA3	45	P6920-43	181	P6950-XL-OS	41	PESS6000-25	158
P6003-YBA	177	P6900-20LS	161	P6900-IA3	162	P6920-WEDGE	163	P6950-XL-OS	164	PESS6000-27	158
P6003-YB-CVR	156	P6900-20M	44	P6900-MT-XL	45	P6920-XL-1	163	P6950-XL-OS	183	PESS6000-28	158
P6003-YB-CVR	177	P6900-20M	161	P6900-MT-XL	180	P6920-XL-1	181	P6950-XL-S-1	41	PH6000-HY1	157
P6003-YB-CVR7	36	P6900-20M-GN	44	P6900-MT-XL	181	P6922-43	163	P6950-XL-S-1	164	PH6000-HY2	157
P6003-YB-CVR7	156	P6900-20M-GN	161	P6900-MT-XL	182	P6922-XL-1	163	P6950-XL-S-1	183	PH6000-HY6	157
P6003-YB-CVR36	36	P6900-20MS	44	P6900-MV	180	P6930-20E	41	P6950-XL-S-IM-1	41	PH6000-HY7	157
P6003-YB-CVR36	156	P6900-20MS	161	P6900-MV	181	P6930-20E	44	P6950-XL-S-IM-1	164	PH6000-HY8	157
P6003-YBYC	156	P6900-20N	44	P6900-MV-4	162	P6930-20E	162	P6950-XL-S-IM-1	183	PH6000-HY9	157
P6003-YBYC	165	P6900-20N	161	P6900-MV-5	162	P6930-20F	41	P6950-XL-SPOUT	41	PH6000-HY10	157
P6003-YBYC	169	P6900-20N-GN	161	P6900-MV-6	162	P6930-20F	44	P6950-XL-SPOUT	164	PH6000-HY11	157
P6003-YBYC	171	P6900-20WR	161	P6900-MV-7	162	P6930-20F	162	P6950-XL-Y	41	PH6000-HY12	157
P6003-YBYC	175	P6900-21	161	P6900-MV-7	180	P6930-20J	41	P6950-XL-Y	164	PH6000-HY15	157
P6003-YC	156	P6900-21	161	P6900-MV-7	181	P6930-20J	44	P6950-XL-Y	183	PH6000-HY17	157
P6003-YC	177	P6900-43	180	P6900-MV-7	182	P6930-20J	162	P6950-XL-YC	41	PH6000-HY18	157
P6003-YE	156	P6900-43	182	P6900-MV-7	183	P6930-20K	41	P6950-XL-YC	164	PH6000-HY19	157
P6017-ECR	150	P6900-43	183	P6900-MV-8	162	P6930-20K	44	P6950-XL-YC	183	PH6000-HY20	157
P6199-SC-1	33	P6900-120	183	P6900-MV-9	162	P6930-20K	162	P6955-XL-S-1	41	PH6000-HY20L	157
P6199-SC-1	156	P6900-120B	180	P6900-MV-ADAP	45	P6930-20L	41	P6955-XL-S-1	164	PH6000-HY21	157
P6199-SC-2	33	P6900-120B	181	P6900-MV-ADAP	162	P6930-20L	44	P6955-XL-S-1	183	PH6000-HY21L	157
P6199-SC-2	156	P6900-120B	182	P6900-MV-ADAP	183	P6930-20L	162	P6955-XL-SPOUT	41	PH6000-HY22	157
P6199-VPW	156	P6900-120BC	162	P6900-MVF-8	162	P6930-20M	41	P6955-XL-SPOUT	164	PH6000-HY23	157
P6200-E14	177	P6900-ACA	44	P6900-MV-XL	45	P6930-20M	44	PEMS6000-Z2-G2	175	PH6000-HY24	157
P6200-EC	177	P6900-ACA	162	P6900-MV-XL	162	P6930-20M	162	PEMS6000-Z2-KIT-G2	176	PH6000-HY25	157
P6200-EC-HET	152	P6900-ACA	180	P6900-MV-XL	182	P6930-20N	44	PEMS6000-Z2	158	PH6000-HY26	157
P6200-EC-HET	169	P6900-ACA	181	P6900-SG	163	P6930-20N	162	PEMS6000-26	173	PH6000-HY27	157
P6200-EC-HET	177	P6900-ACA	182	P6900-SG	163	P6930-20WR	162	PEMS6000-26A	158	PH6000-HY28	157
P6200-EC-WS	152	P6900-ACA	183	P6900-SG	163	P6930-XC-24	163	PEMS6000-26A	174	PH6000-HY29	157
P6200-EC-WS	169	P6900-ACA-BA	20	P6900-SG	180	P6930-XL-1	163	PEMS6000-26-G2	176	PH6000-HY32	157
P6200-EC-WSI	152	P6900-ACA-BA	23	P6900-SG	181	P6930-XL-1	182	PEMS6000-CON-KIT	158	PH6000-HY35	157
P6200-EC-WSI	169	P6900-ACA-BA	45	P6900-SG	182	P6930-XL-42	163	PEMS6000-CON-KIT-IS	158	PH6000-HY35	158
P6200-EC-WSI	177	P6900-ADM-1-H4-XL	162	P6900-SG	183	P6930-XL-42	182	PEMS6000-CW-G2	175	PH6000-HY36	157
P6200-EU	177	P6900-ADM-1-XL	45	P6900-SH	45	P6930-XL-B-L	163	PEMS6000-FM12	158	PH6000-HY37	157
P6200-EU-WS	152	P6900-ADM-1-XL	162	P6900-SH	183	P6930-XL-B-L	182	PEMS6000-G	158	PH6000-HY40	157
P6200-EU-WSI	152	P6900-ADM-2-H4-XL	162	P6900-SH-XL	162	P6930-XL-EL	163	PEMS6000-G-SS	175	PH6000-HY41	157
P6200-EU-WSI	177	P6900-ADM-2-XL	45	P6900-SRK	163	P6930-XL-EL	182	PEMS6000-G-SS	158	PH6000-HY41	168
P6200-L12	177	P6900-ADM-2-XL	162	P6900-SRK	163	P6950-43	164	PEMS6000-HYM	173	PH6000-HYA-FW	157
P6200-LL	177	P6900-ADM-H4-XL	162	P6900-SRK	163	P6950-CP4	41	PEMS6000-HYM	158	PH6000-HYA-SW	157
P6200-LL-CG	152	P6900-ADM-XL	45	P6900-SRK	180	P6950-CP4	164	PEMS6000-HYM	174	PH6000-HYL3-FW	157

For additional product information, please visit www.zurn.com.

PH6000-HYL3-FW	168	PTR6200-FA	160	RK7000-110	98	TMPK7301-ST	98	Z824S0-XL	70	Z84111-XL	67
PH6000-HYL-MB	157	PTR6200-HAS	160	RK7000-120	98	TMPK7301-STN	98	Z825A1-XL	71	Z841J1-18-15F	75
PH6000-HYL-MB	168	PTR6200-HSA	160	RK7000-180	98	TMPK7302-MT	98	Z825A2-XL	71	Z841J1-XL	67
PH6000-HYLP-MBP	31	PTR6200-HSA	171	RK7000-200	98	TMPK7302-ST	98	Z825A4-XL	71	Z841J1-XL-15F	75
PH6000-HYLP-MBP	157	PTR6200-HW-L-0.5	160	RK7073-50	98	TMPK7302-STN	98	Z825B1-XL	71	Z841J4-XL-DM	64
PH6000-HYLP-MBP	168	PTR6200-HW-L-0.25	160	RK7073-50EXT	98	TPK7100-SS	96	Z825B1-XL-15F	75	Z841K1-XL	67
PH6000-HYM	157	PTR6200-HW-L-0.125	160	RK7300-HW-L-002	98	TPK7120-SS	96	Z825B2-XL	71	Z841K1-XL-15F	76
PH6000-HYMI1	157	PTR6200-HW-L-1.0	160	RK7300-11AE-001	98	TPK7200-SS	97	Z825B4-XL	71	Z841L1	67
PH6000-SHYL3-SW	157	PTR6200-HW-L-1.1	160	RK7300-11AE-002	98	TPK7220-SS	97	Z825C1-XL	71	Z841L1-RC	67
PH6000-SHYL3-SW	168	PTR6200-HW-L-1.6	160	RK7300-11AV	98	TPK7300-SS	97	Z825C2-XL	71	Z841L2	67
PR6000-5	159	PTR6200-HW-L-1.28	160	RK7300-20HB	98	TPK7300-SSC	97	Z825C4-XL	71	Z841L2-RC	67
PR6000-20-G3	159	PTR6200-HW-TUBE	160	RK7300-50A	98	TPK7300-SSC-STN	97	Z825F1-XL	71	Z841M1	67
PR6000-23A	159	PTR6200-HW-TUBE-1	160	RK7300-CART-3P	98	TPK7300-SS-STN	97	Z825F2-XL	71	Z841M1-RC	67
PR6000-B	159	PTR6200-L-0.5	160	RK7300-EXT	98	VARIABLES	176	Z825T1-6M	71	Z841M2	68
PR6000-E13F	159	PTR6200-L-0.5	160	RK7300-EXT-STN	98	VARIABLES	177	Z825T2-6M	71	Z841M2-RC	68
PR6000-E13F	179	PTR6200-L-0.5	171	RK7300-LH	94	VARIABLES(Z60_Z61_)	175	Z825U1-6M	72	Z841M4	68
PR6000-E13F-1	159	PTR6200-L-0.25	160	RK7300-LH	98	VARIABLES(Z62_)	175	Z825U2-6M	72	Z841N1	68
PR6000-E14	159	PTR6200-L-0.25	160	RK7300-LHS	94	Z21-1-PC	118	Z825U4-6M	72	Z841N1-RC	68
PR6000-E15A	159	PTR6200-L-0.25	171	RK7300-LHS-STN	94	Z21-3-NT	118	Z825V1-6M	72	Z841N2	68
PR6000-EC25	159	PTR6200-L-0.125	160	RK7300-WF	94	Z30-2B-RB	122	Z825V2-6M	72	Z841N2-RC	68
PR6000-EC25	179	PTR6200-L-0.125	160	RK7300-WF	98	Z30-2-RB	122	Z825V4-6M	72	Z841X1-XL	77
PR6000-EC25-W5	159	PTR6200-L-0.125	171	RK7440-3	99	Z54-3-NT	122	Z825X1-XL	77	Z841X1-XL-DM	77
PR6000-EC25-W5	179	PTR6200-L-1.0	160	RK7440-36W	99	Z54-4-NT	122	Z826A1-XL-15F	75	Z842A1-XL	58
PR6000-EC25-W51	159	PTR6200-L-1.0	160	RK7440-90	99	Z54-5-NT	122	Z826B1-XL	72	Z842A4-XL	58
PR6000-EC25-W51	179	PTR6200-L-1.0	171	RK7440-94	99	Z54-6-NT	122	Z826B2-XL	72	Z842B1-XL	58
PR6000-EC25-W51-DF	179	PTR6200-L-1.1	160	RK7440-94S0	99	Z54-40-NT	122	Z826B4-XL	72	Z842B2-XL	58
PR6000-EC-FF	159	PTR6200-L-1.1	160	RK7440-94-STN	99	Z800H2-XL-AF-11F	80	Z826C1-XL	72	Z842B4-XL	58
PR6000-EC-FF	179	PTR6200-L-1.1	171	RK7440-CART	99	Z800I2-XL-AF-11F	80	Z826C2-XL	72	Z842C1-XL	58
PR6000-EC-W5	159	PTR6200-L-1.6	160	RK7440-HK	99	Z800J2-XL-AF-11F	74	Z826C4-XL	72	Z842C4-XL	58
PR6000-EC-W5	179	PTR6200-L-1.6	160	RK7440-LH	99	Z800J2-XL-AF-11F	80	Z826F1-XL	72	Z842D6-LSI-2XT	69
PR6000-EC-W51	159	PTR6200-L-1.6	171	RK7440-LP	99	Z800PO-HK-SE	79	Z826F2-XL	72	Z842D6-LSI-5XT	69
PR6000-EC-W51	179	PTR6200-L-1.28	160	RK7440-LP-STN	99	Z800X0-XL-AF-PR1	80	Z826T1-6M	73	Z842D6-LSI-LVB-PE-2XT	69
PR6000-EC-W51-DF	179	PTR6200-L-1.28	160	RK7500-50A	99	Z800X0-XL-PR1	80	Z826T2-6M	73	Z842D6-LSI-LVB-PE-5XT	69
PR6000-EG	159	PTR6200-L-1.28	171	RK7500-200	99	Z800X0-XL-PR1-38	80	Z826T4-6M	73	Z842F1-XL	58
PR6000-EG-W51	159	PTR6200-L-5	160	RK7872C-94	100	Z812A1-XL	55	Z826U1-6M	73	Z842F1-XL-15F	76
PR6000-EU	159	PTR6200-L-5	160	RK7872C-94FC	100	Z812A3-XL	55	Z826U2-6M	73	Z842F2-XL	58
PR6000-EU	179	PTR6200-L-5	171	RK7872C-94LA	100	Z812A4-XL	55	Z826U4-6M	73	Z842F4-XL	58
PR6000-EU25	159	PTR6200-M	160	RK7872C-94VP	100	Z812B1-XL	55	Z826V1-6M	73	Z842G1-XL-15F	76
PR6000-EU25	179	PTR6200-M	160	RK7872C-S0	100	Z812B1-XL-15F	75	Z826V2-6M	73	Z842G4-XL	58
PR6000-EU25-W5	159	PTR6200-M	171	RK7872C-XL-DV	100	Z812B3-XL	55	Z826V4-6M	73	Z842H1-XL	58
PR6000-EU25-W5	179	PTR6200-M-RING	171	RK7872C-XL-QR	100	Z812B4-XL	55	Z826X1-XL	77	Z842H1-XL-15F	76
PR6000-EU25-W51	159	PTR6200-M-RING	160	RK7872-XL-3	100	Z812C1-XL	55	Z831A1-XL	61	Z842H4-XL	58
PR6000-EU25-W51	179	PTR6200-M-RING	160	RK7872-XL-6	100	Z812C3-XL	55	Z831A4-XL	61	Z842J1-XL	58
PR6000-EU-W5	159	PTR6200-M-S	160	RK7872-XL-21	100	Z812C4-XL	55	Z831B1-XL	61	Z842J4-XL	58
PR6000-EU-W5	179	PTR6200-M-S	160	RK7872-XL-CART	100	Z812C4-XL-15F	75	Z831B4-XL	61	Z842J1-18-15F	76
PR6000-EU-W51	159	PTR6200-M-S	171	RK74500-94	99	Z812F1-XL	56	Z831C1-XL	61	Z842J1-XL	58
PR6000-EU-W51	179	PTR6203-EU	160	RK74500-94FC	99	Z812F4-XL	56	Z831C3-XL	61	Z842J1-XL-15F	76
PR6000-K25	159	PTR6203-EU	171	RK74500-94LA	99	Z812G1-XL	56	Z831C4-XL	61	Z842J1-XL-AF-PR2	77
PR6000-KIT	159	PTR6203-EU-ULF	160	RK74500-94S0	99	Z812G3-XL	56	Z831G1-XL	61	Z842J3-XL	58
PR6000-KIT	179	PTR6203-EU-ULF	171	RK74500-94-STN	99	Z812G4-XL	56	Z831G3-XL	61	Z842J4-XL	58
PR6000-M	159	PTR6203-FA	160	RK74500-94VP	99	Z812H1-XL	56	Z831G4-XL	61	Z842J4-XL-DM-15F	76
PR6000-M	179	PTR6203-FA	171	RK74500-LH	99	Z812H3-XL	56	Z831H1-XL	62	Z842K1-XL	59
PR6000-M9A	159	PTR6203-FA-LF	160	TMPK7100	97	Z812H4-XL	56	Z831H4-XL	62	Z842K1-XL-15F	76
PR6000-MB	159	PTS6200-EL	159	TMPK7100-LH	97	Z812J1-XL	56	Z831J1-XL	62	Z842K4-XL	59
PR6000-MB	179	PTS6200-EL	159	TMPK7100-MT	97	Z812J3-XL	56	Z831J3-XL	62	Z842L1	59
PR6000-MBB	159	PTS6200-HET	159	TMPK7101	97	Z812J4-XL	56	Z831J4-XL	62	Z842L1-RC	59
PR6000-MC-G3	159	PTS6200-J1	159	TMPK7101-LH	97	Z812J4-XL-WM	65	Z831R1-XL	61	Z842L2	59
PR6000-MC-G3	179	PTS6200-J2	159	TMPK7101-MT	97	Z812K1-XL	56	Z831R4-XL	61	Z842L2-RC	59
PR6000-MC-OB-G3	159	PTS6200-J3	159	TMPK7120	97	Z812K1-XL-WM	65	Z831S1-XL	62	Z842M1	59
PR6000-MC-OB-G3	179	PTS6200-J4	159	TMPK7120-LH	97	Z812K4-XL	56	Z831S1-XL-15M	75	Z842M1-RC	59
PR6000-RP	159	PTS6200-J5	159	TMPK7120-MT	97	Z812N1	57	Z831S3-XL	62	Z842M2	59
PR6000-SC3	159	PTS6200-LL-CP	159	TMPK7121	97	Z812N4	57	Z831S4-XL	62	Z842M2-RC	59
PR6000-SH	159	PTS6200-M	159	TMPK7121-LH	97	Z812S1-XL	57	Z831T1-XL	63	Z842M4	59
PR6000-SH	179	PTS6200-PC	159	TMPK7121-MT	97	Z812S3-XL	57	Z831T2-XL	63	Z842N1	59
PR6000-SH-DF	159	PTS6200-PISTON-RK	159	TMPK7200	97	Z812S4-XL	57	Z831T4-XL	63	Z842N1-RC	59
PR6000-SH-DF	179	PTS6200-SK	159	TMPK7200-LH	97	Z812T1-XL	57	Z831U1-XL	63	Z842N2	60
PR6000-SL	159	RK7000-11AB	98	TMPK7200-MT	97	Z812T4-XL	57	Z831U2-XL	63	Z842N2-RC	60
PR6000-SL	179	RK7000-11ABL	98	TMPK7201	97	Z812U1-XL	57	Z831U4-XL	63	Z842T1-XL	60
PR6000-W	159	RK7000-18RC	98	TMPK7201-LH	97	Z812U4-XL	57	Z831V1-XL	63	Z842T2-XL	60
PR6000-W	179	RK7000-18TOOLS	98	TMPK7201-MT	97	Z812X1-XL-TWM	77	Z831V2-XL	63	Z842T4-XL	60
PS6003-C33	148	RK7000-20HB	98	TMPK7220	97	Z812Y1-XL-TWM-15F	75	Z831V4-XL	63	Z842U1-XL	60
PS6003-D	148	RK7000-50A	98	TMPK7220-LH	97	Z821A0-XL	64	Z841A1-XL	67	Z842U2-XL	60
PTR6200-24	160	RK7000-50ACL	98	TMPK7220-MT	97	Z821A0-XL-WM	65	Z841B1-XL	67	Z842U4-XL	60
PTR6200-24	171	RK7000-50B	98	TMPK7221	97	Z821B0-XL	64	Z841B1-XL-DM	64	Z842V1-XL	60
PTR6200-BAT-LITH	160	RK7000-50B	98	TMPK7221-LH	97	Z821B0-XL-WM	65	Z841F1-XL	75	Z842V2-XL	60
PTR6200-BATT	160	RK7000-50BN	98	TMPK7221-MT	97	Z821C0-XL	64	Z841F1-XL-15F	75	Z842V4-XL	60
PTR6200-EC	160	RK7000-50C	98	TMPK7300-MT	98	Z821C0-XL-WM	65	Z841G1-XL	67	Z842X1-XL	77
PTR6200-EC	160	RK7000-50EXT	98	TMPK7300-ST	98	Z821T0-XL	64	Z841G1-XL-15F	75	Z842X1-XL-AF	77
PTR6200-EC	160	RK7000-50FL	98	TMPK7300-STN	98	Z821U0-XL	64	Z841H1-XL	67	Z842X1-XL-AF-DM	77
PTR6200-EC	171	RK7000-100	98	TMPK7301-MT	98	Z824B0-XL	70	Z841H1-XL-15F	75	Z842X1-XL-DM	77

For additional product information, please visit www.zurn.com.

Z843J1-XL	64	Z5368	134	Z5681	130	Z5980-SPUD-112	139	Z6003AV-WSI-X	34	Z6152AV-HET-L3	26
Z843J4-XL	64	Z5410	136	Z5683	130	Z6000-1-WSI-TP-YB-YC	12	Z6003-EWS-YB-YC	12	Z6152AV-WSI	26
Z843L1	68	Z5410/20-FRG	138	Z5691	130	Z6000-2-WSI-TP-YB-YC	12	Z6003PL-EWS	11	Z6152AV-WSI-L3	26
Z843L1-RC	68	Z5410/20-FRG	138	Z5693	130	Z6000-2-WSI-TP-YB-YC	12	Z6003PL-UJF	11	Z6152-WSI-YB	27
Z843M1	68	Z5410-20-SRG	138	Z5708-U	133	Z6000-2-WSI-YB-YC	12	Z6003PL-WSI	11	Z6153AV-HET	26
Z843MI	76	Z5410/20-SRG	138	Z5730	133	Z6000-3-WSI-YB-YC	12	Z6003-WSI-YB-YC	12	Z6153AV-ONE	26
Z843MI-RC	68	Z5420	136	Z5738-U	133	Z6000AV-1-HET	9	Z6010-1-WSI-YB-YC	12	Z6153AV-WSI	26
Z843MI-RC	76	Z5460-BKT	138	Z5750-BKT	138	Z6000AV-1-WSI	9	Z6010-2-WSI-YB-YC	12	Z6153-WSI-YB	27
Z843NI	68	Z5460-SB	138	Z5755-U	133	Z6000AV-1-WSI-TP	10	Z6010AV-1-HET	9	Z6154AV-HET	26
Z843NI-RC	68	Z5461-AM	136	Z5758-U	133	Z6000AV-2-HET	9	Z6010AV-1-WSI	9	Z6154AV-WSI	26
Z86680-XL	57	Z5468-AM	136	Z5759-U	133	Z6000AV-2-WSI	9	Z6010AV-2-HET	9	Z6154-WSI-YB	27
Z867A0-XL	63	Z5530-FL-K	138	Z5765-U	133	Z6000AV-2-WSI-TP	10	Z6010AV-2-WSI	9	Z6155AV-HET	26
Z867B0-XL	63	Z5530-FV-K	138	Z5795	133	Z6000AV-3-HET	9	Z6010AV-HET	9	Z6155AV-WSI	26
Z867C0-XL	63	Z5530-K	131	Z5798-STR	139	Z6000AV-3-WSI	9	Z6010AV-HET-BWN	13	Z6155-WSI-YB	27
Z867R0-XL	63	Z5530-K-RH	131	Z5811	135	Z6000AV-3-WSI-TP	10	Z6010AV-HET-BWNI	13	Z6190AV-WSI	26
Z871B1-XL	66	Z5530-K-VL	131	Z5814	135	Z6000AV-HET	9	Z6010AV-WSI	9	Z6190AV-WSI-L3	26
Z871B3-XL	66	Z5530-TNK-K	138	Z5818	135	Z6000AV-HET-BWN	13	Z6010AV-WSI-BWN	13	Z6190-WSI-YB	27
Z871B4-XL	66	Z5530-TNK-LID-K	138	Z5821	135	Z6000AV-HET-BWNI	13	Z6010AV-WSI-BWNI	13	Z6195AV-EWS	26
Z871C1-XL	66	Z5535-K	131	Z5824	135	Z6000AV-HET-DF	9	Z6010AV-WSI-BWNI-D	13	Z6195AV-UJF	26
Z871C1-XL-TWM-15F	76	Z5540-K	131	Z5828	135	Z6000AV-HET-H	9	Z6010AV-WSI-BWNI-D	13	Z6195AV-WSI	26
Z871C3-XL	66	Z5540-K-RH	131	Z5831	135	Z6000AV-HET-HL3	9	Z6010AV-WSI-DF	9	Z6195-WSI-YB	27
Z871C4-XL	66	Z5540-K-VL	131	Z5834	135	Z6000AV-HET-X	34	Z6010-DVN	14	Z6196AV-WSI	33
Z871G1-XL	66	Z5540-LID	138	Z5838	135	Z6000AV-HET-YG	9	Z6010-DVNI	14	Z6197AV-EWS	26
Z871G3-XL	66	Z5540-TNK-K	138	Z5840-BKT	139	Z6000AV-HET-YO	9	Z6010-DVNI-D	14	Z6197AV-UJF	26
Z871G4-XL	66	Z5545-K	131	Z5841	135	Z6000AV-ONE	9	Z6010-DVNI-D	14	Z6197AV-WSI	26
Z871H1-XL	66	Z5550-BWL-K	138	Z5844	135	Z6000AV-WSI	9	Z6010PL-HET	11	Z6197-WSI-YB	27
Z871H4-XL	66	Z5550-HDL	138	Z5848	135	Z6000AV-WSI-BWN	13	Z6010PL-WSI	11	Z6199-BX12	33
Z871J1-XL	66	Z5550-HDL	138	Z5850	136	Z6000AV-WSI-BWNI	13	Z6010-WSI-BWNI-YB-YC	14	Z6199-BX12-NH	33
Z871J3-XL	66	Z5550-HDL	138	Z5850-BL2	139	Z6000AV-WSI-BWNI-D	13	Z6010-WSI-BWNI-YB-YC	14	Z6199-BX15	33
Z871J4-XL	66	Z5550-K	131	Z5850-D2	139	Z6000AV-WSI-BWNI-D	13	Z6010-WSI-YB-YC	12	Z6199-BX15-NH	33
Z871S1-XL	66	Z5550-K-RH	131	Z5850-D3	139	Z6000AV-WSI-DF	9	Z6011AV-HET-BWN	13	Z6199-BX17	33
Z871S3-XL	66	Z5550-K-VL	131	Z5850-L2	139	Z6000AV-WSI-H	9	Z6011AV-WSI	9	Z6199-BX17-NH	33
Z871S4-XL	66	Z5550-TNK-K	138	Z5850-RG	139	Z6000AV-WSI-HL3	9	Z6011AV-WSI-BWN	13	Z6200-1-HET-YB-YC	12
Z873E2-EVB	69	Z5550-TNK-LID-K	138	Z5880	136	Z6000AV-WSI-TP	10	Z6011AV-WSI-BWNI	13	Z6200-1-WSI-YB-YC	12
Z873E2-EVB-IS	69	Z5551-K	131	Z5880-BKT	139	Z6000AV-WSI-X	34	Z6011-DVN	14	Z6200-2-HET-YB-YC	12
Z873M2-SE	69	Z5552-K	131	Z5888	136	Z6000AV-WSI-YG	9	Z6011-DVNI-D	14	Z6200-2-WSI-YB-YC	12
Z873O2-CWO	74	Z5553-K	131	Z5890	136	Z6000AV-WSI-YO	9	Z6011-WSI-BWNI-YB-YC	14	Z6200-HET-YB-YC	12
Z873O2-EVB-HK-SE-SH	74	Z5555-K	131	Z5890-BKT	139	Z6000-DN	14	Z6014AV-WSI	9	Z6200PL-HET	12
Z873P2-HK-SE-SH	74	Z5560	132	Z5898	136	Z6000-DVNI	14	Z6014-YB-YC	12	Z6200PL-WSI	12
Z875B2	65	Z5560-BWL	138	Z5900-IP2	136	Z6000-DVNI	14	Z6017AV	15	Z6200-WSI-YB-YC	12
Z875F1	65	Z5560-TNK-PA	138	Z5900-IP3	136	Z6000-DVNI-D	14	Z6017AV-H	15	Z6203-EWS-YB-YC	12
Z875F1-15F	80	Z5560-TNK-PA	138	Z5955-LC	137	Z6000-DVNI-D-O20	14	Z6017AV-HL3	15	Z6203PL-EWS	12
Z875H1-8XT-15F	80	Z5560-TNK-PA-LID	138	Z5955SS-AM	137	Z6000-DVN-D	14	Z6017AV-H-O10	15	Z6203PL-WSI	12
Z875K1	65	Z5560-TNK-PA-LID	138	Z5955SS-AM-STS	137	Z6000-DVN-O20	14	Z6017AV-H-O15	15	Z6203-WSI-YB-YC	12
Z875K1-15F	80	Z5561	132	Z5955SS-EL	137	Z6000-ONE-YB-YC	12	Z6017AV-H-O20	15	Z6210-HET-YB-YC	12
Z875L7	74	Z5562	132	Z5955SS-EL-AMFR-STS	137	Z6000PL-1-HET	11	Z6017AV-O10	15	Z6210-WSI-YB-YC	12
Z875I2	65	Z5570	132	Z5955SS-EL-BK	137	Z6000PL-1-WSI	11	Z6017AV-O15	15	Z6296-WA-WSI	33
Z875U2	65	Z5570-BWL	138	Z5955SS-EL-STS	137	Z6000PL-2-HET	11	Z6017AV-O20	15	Z6296-WSI	33
Z877P2-LKS-HK-SH2	74	Z5571	132	Z5955SS-EL-STS-BK	137	Z6000PL-2-WSI	11	Z6017PL	15	Z6300AV-WSI	32
Z877P7-LKS-HK-SH2	74	Z5572	132	Z5956SS-AM	137	Z6000PL-3-HET	11	Z6017PL-H	15	Z6310AV-WSI	32
Z5111	135	Z5575	132	Z5956SS-AM-STS	137	Z6000PL-3-WSI	11	Z6017PL-H-O10	15	Z6312AV-WSI	32
Z5114	135	Z5576	132	Z5956SS-EL	137	Z6000PL-HET	11	Z6017PL-H-O15	15	Z6313AV-WSI	32
Z5118	135	Z5577	132	Z5956SS-EL-ADA	137	Z6000PL-HET-BWN	14	Z6017PL-H-O20	15	Z6320AV-WSI	32
Z5121	135	Z5615-BWL	129	Z5956SS-EL-BK	137	Z6000PL-HET-BWNI	14	Z6020AV-WSI-BWN	13	Z6323AV-WSI	32
Z5124	135	Z5615-BWL-AM	129	Z5956SS-EL-STS	137	Z6000PL-ONE	11	Z6020AV-WSI-BWNI-D	13	Z6601AV-WSI	31
Z5128	135	Z5616-BWL	129	Z5957SS-EL	137	Z6000PL-WSI	11	Z6040AV-WSI-BSWNI	13	Z6601-WSI-YB	32
Z5220	135	Z5617-BWL	129	Z5957SS-EL-AMFR	137	Z6000PL-WSI-BWN	14	Z6040AV-WSI-BWNI-D	13	Z6603AV-WSI	31
Z5220-KIT	138	Z5630	129	Z5957SS-EL-BK	137	Z6000PL-WSI-BWNI	14	Z6096AV-WSI	33	Z6603-WSI-YB	32
Z5314	134	Z5631	129	Z5957SS-EL-STS	137	Z6000PL-WSI-DF	11	Z6096AV-WSI-WA	33	Z6606AV-WSI	31
Z5318	134	Z5635-BWL	129	Z5957SS-RD	137	Z6000PL-WSI-TP	11	Z6099AV-WSI	10	Z6609AV-WSI	31
Z5321	134	Z5637-BWL	129	Z5958SS-EL	137	Z6000PL-WSI-TP-YK	11	Z6100AV-HET-X	34	Z6609-WSI-YB	32
Z5321-PED	134	Z5640	129	Z5958SS-EL-STS	137	Z6000-WSI-BWNI-YB-YC	14	Z6100AV-WSI-X	34	Z6611AV-WSI	31
Z5324	134	Z5641	129	Z5958SS-RD	137	Z6000-WSI-BWNI-HL3-YB-YC	14	Z6140AV-HET	26	Z6611-WSI-YB	32
Z5324-PED	134	Z5645-BWL	129	Z5958SS-RD-STS	137	Z6000-WSI-BWNI-YB-YC	14	Z6140AV-WSI	26	Z6613AV-WSI	31
Z5328	134	Z5646-BWL	129	Z5958SS-JUV	137	Z6000-WSI-TP-YB-YC	12	Z6140-WSI-YB	27	Z6613-WSI-YB	32
Z5329	134	Z5647-BWL	129	Z5961-NUT-EXT-KIT	139	Z6000-WSI-YB-YC	12	Z6142AV-HET	26	Z6614AV-WSI	31
Z5340-BKT	138	Z5654-BWL-BA-AM	130	Z5970-BOLT	139	Z6001AV-WSI	9	Z6142AV-WSI	26	Z6621AV-WSI	31
Z5341	134	Z5655.395.00.00.00	130	Z5972-CAP	139	Z6001AV-WSI-H	9	Z6142-WSI-YB	27	Z6681AV-WSI	31
Z5341-PED	134	Z5655.396.00.00.00	130	Z5972-COMB	139	Z6001AV-WSI-HL3	9	Z6143AV-HET	26	Z6913-ADM-XL	42
Z5344	134	Z5655-BWL1	130	Z5972-HDW	139	Z6001AV-WSI-X	34	Z6143AV-HET-L3	26	Z6913-XL	42
Z5344-PED	134	Z5655-BWL-BA-AM	130	Z5973-CF-ABS	139	Z6001PL-WSI	11	Z6143AV-ONE	26	Z6913-XL-ADM-1	42
Z5348	134	Z5656-BWL-AM	130	Z5973-CF-C13	139	Z6001-WSI-YB-YC	12	Z6143AV-WSI	26	Z6913-XL-ADM-2	42
Z5350-BKT	138	Z5657-BWL-AM	130	Z5973-CF-C14	139	Z6003AV-EWS	10	Z6143AV-WSI-L3	26	Z6913-XL-CP4	42
Z5351	134	Z5665.395.00.00.00	130	Z5973-CF-PVC	139	Z6003AV-EWS-X	34	Z6143-WSI-YB	27	Z6913-XL-CP4-MT	42
Z5354	134	Z5665.396.00.00.00	130	Z5974-FLO-ABS	139	Z6003AV-UJF	10	Z6144AV-HET	26	Z6913-XL-CP4-MV	42
Z5358	134	Z5665-BWL1	130	Z5974-FLO-PVC	139	Z6003AV-UJF-X	34	Z6144AV-WSI	26	Z6913-XL-CP4-TMV-1	42
Z5361	134	Z5665-BWL-BA-AM	130	Z5975-FLO-JR	139	Z6003AV-WSI	10	Z6144-WSI-YB	27	Z6913-XL-CP8	42
Z5361-PED	134	Z5666-BWL-AM	130	Z5976-URINAL	139	Z6003AV-WSI-H	10	Z6150AV-WSI	26	Z6913-XL-CP8-MT	42
Z5364	134	Z5667-BWL-AM	130	Z5977-NEO	139	Z6003AV-WSI-HL3	10	Z6150-WSI-YB	27	Z6913-XL-CP8-MV	42
Z5364-PED	134	Z5675-BWL	130	Z5980-SPUD-34	139	Z6003AV-WSI-U	10	Z6152AV-HET	26	Z6913-XL-CP8-TMV-1	42

For additional product information, please visit www.zurn.com.

ZH8823-XL-LR-8862-12-PC	106	ZR365L-PC	119	ZTT461-PC	120
ZH8823-XL-LR-LK-8862-12-PC	106	ZR365-PC	118	ZTT461W-PC	120
ZH8823-XL-LR-LK-PC	106	ZR365REB-PC	119		
ZH8823-XL-LR-PC	106	ZR365X-PC	118		
ZH8823-XL-PC	106	ZR366-PC	118		
ZH8823-XL-PC	111	ZR367-PC*	118		
ZH8824-XL-CR-8870-12-PC	112	ZR367X-PC	118		
ZH8824-XL-CR-LK-8870-12-PC	112	ZR368-PC	118		
ZH8824-XL-CR-LK-PC	112	ZR369-PC	118		
ZH8824-XL-CR-LK-Q-8870-12-PC	112	ZR370JBD-RB	118		
ZH8824-XL-CR-LK-Q-PC	112	ZR370-PC	118		
ZH8824-XL-CR-LK-Q-PC	112	ZR371JBD-RB	118		
ZH8824-XL-CR-PC	112	ZR371-PC	118		
ZH8824-XL-CR-Q-8870-12-PC	112	ZR371X-PC	118		
ZH8824-XL-CR-Q-PC	112	ZR373-PC	119		
ZH8824-XL-LK-PC	107	ZR377-PC	119		
ZH8824-XL-LK-PC	112	ZR383-PC	119		
ZH8824-XL-LK-Q-PC	107	ZR426B-SS	81		
ZH8824-XL-LK-Q-PC	112	ZR426B-SS	122		
ZH8824-XL-LR-8860-12-PC	107	ZR426WB-SS	122		
ZH8824-XL-LR-LK-8860-12-PC	107	ZR461-PC	123		
ZH8824-XL-LR-LK-PC	107	ZR464-PC	123		
ZH8824-XL-LR-LK-Q-8860-12-PC	107	ZR465-SC	126		
ZH8824-XL-LR-LK-Q-PC	107	ZR501LAW-PC	119		
ZH8824-XL-LR-PC	107	ZR510LAW-PC	119		
ZH8824-XL-LR-Q-8860-12-PC	107	ZR543JBD-PC	119		
ZH8824-XL-LR-Q-PC	107	ZR546JBD-PC	119		
ZH8824-XL-PC	107	ZR964-PC	119		
ZH8824-XL-PC	112	ZR965-PC	119		
ZH8824-XL-Q-PC	107	ZR970J-PC	119		
ZH8824-XL-Q-PC	112	ZR971J-PC	119		
ZH8825-XL-CR-8873-12-PC	112	ZR6000AV-2-WSI-DF	20		
ZH8825-XL-CR-LK-8873-12-PC	112	ZR6000AV-WSI	20		
ZH8825-XL-CR-LK-PC	112	ZR6000AV-WSI-BWN	20		
ZH8825-XL-CR-PC	112	ZR6000AV-WSI-DF	20		
ZH8825-XL-LK-PC	107	ZR6000AV-WSI-DF-HW	20		
ZH8825-XL-LK-PC	112	ZR6000AV-WSI-X	20		
ZH8825-XL-LK-PC	112	ZR6001AV-WSI	20		
ZH8825-XL-LR-8862-12-PC	107	ZR6001AV-WSI-X	20		
ZH8825-XL-LR-LK-8862-12-PC	107	ZR6003AV-WSI	20		
ZH8825-XL-LR-LK-PC	107	ZR6003AV-WSI-X	20		
ZH8825-XL-LR-PC	107	ZRK-C-1.6	20		
ZH8825-XL-PC	107	ZRK-C-1.6-DF	20		
ZH8825-XL-PC	112	ZRK-U-1.0	20		
ZH8826-XL-CR-8870-12-PC	112	ZSS30-SS	120		
ZH8826-XL-CR-LK-8870-12-PC	112	ZSS250-PC	81		
ZH8826-XL-CR-LK-PC	112	ZSS250-PC	120		
ZH8826-XL-CR-PC	112	ZSS250W-PC	120		
ZH8826-XL-LK-PC	107	ZSS300-PC	121		
ZH8826-XL-LK-PC	112	ZSS300W-PC	121		
ZH8826-XL-LR-8860-12-PC	107	ZSS300B-SS	81		
ZH8826-XL-LR-LK-8860-12-PC	107	ZSS300B-SS	120		
ZH8826-XL-LR-LK-PC	107	ZSS300W-SS	120		
ZH8826-XL-LR-PC	107	ZSS3500-SS	121		
ZH8826-XL-PC	107	ZSS3500W-SS	121		
ZH8826-XL-PC	112	ZTR6200-1-WSI	16		
ZH8827-XL-CR-8870-12-PC	112	ZTR6200EV	16		
ZH8827-XL-CR-LK-8870-12-PC	112	ZTR6200EV-1	16		
ZH8827-XL-CR-LK-PC	112	ZTR6200EV-HW	21		
ZH8827-XL-CR-PC	112	ZTR6200EV-LL	16		
ZH8827-XL-LK-PC	107	ZTR6200-ONE	16		
ZH8827-XL-LK-PC	112	ZTR6200-ONE-HW	21		
ZH8827-XL-LR-8860-12-PC	107	ZTR6200-ONE-LL	16		
ZH8827-XL-LR-LK-8860-12-PC	107	ZTR6200-WSI	16		
ZH8827-XL-LR-LK-PC	107	ZTR6200-WSI-HW	21		
ZH8827-XL-LR-PC	107	ZTR6200-WSI-LL	16		
ZH8827-XL-PC	107	ZTR6203-EWS	16		
ZH8827-XL-PC	112	ZTR6203-EWS-HW	21		
ZP100-SS	120	ZTR6203-EWS-LL	16		
ZP100W-SS	120	ZTR6203-QRT	16		
ZP2000B-SS	121	ZTR6203-QRT-HW	21		
ZP2000WB-SS	121	ZTR6203-QRT-LL	16		
ZR360-PC	118	ZTR6203-ULF	16		
ZR361L-PC	119	ZTR6203-ULF-HW	21		
ZR361-PC	118	ZTR6203-ULF-LL	16		
ZR361-RB	118	ZTR6203-WSI	16		
ZR361X-PC	118	ZTR6203-WSI-HW	21		
ZR362CH-PC	118	ZTR6203-WSI-LL	16		
ZR363-PC	118	ZTI46-SS	120		
ZR364-PC	118	ZTT461-PC	81		

ZURN TERMS AND CONDITIONS

PRICE AND TERMS OF PAYMENT

Terms are net, payable 30 days from date of invoice. All pricing in U.S. currency. The Buyer shall pay all sales, consumers, or other applicable taxes. A 1-1/2% monthly (18% annual) service charge will be added to the outstanding balance of all past due invoices.

Minimum invoice \$100.00. Zurn Industries, LLC ("Zurn") reserves the right to apply a minimum order charge in order to meet the \$100.00 minimum invoice requirement. All orders are subject to credit approval by the Zurn Credit Department prior to the acceptance of an order. Orders may be refused, delivery may be withheld, or shipment stopped in transit without any liability on Zurn's part at Zurn's sole discretion based upon Buyer's credit worthiness as determined by Zurn.

FREIGHT

Zurn is pleased to provide an industry-leading \$3,500 combined freight rate. Please see below for specific policy details.

All sales are F.O.B. seller's location. Zurn will allow full freight allowance when any of the following conditions are met: 1) any combination of Specification Drainage, Light Commercial, Commercial Brass or Wilkins orders of \$3,500 or more; 2) Linear Drainage and Chemical Drainage orders of \$5,000 or more; 3) any Combination of Specification Drainage, Light Commercial, Commercial Brass, Wilkins, Linear Drainage and Chemical Drainage orders of \$5,000 or more; 4) Zurn One Systems orders of \$7,500 or more; 5) fixture only orders totaling \$10,000 or more. This full freight allowance applies when the shipment is within the continental United States and has a single destination of a buyer's standard address or job location. Routing of shipment shall be determined at the sole direction of Zurn. Shipping dates are estimates and time of delivery shall not be of the essence of this sale contract. Under no circumstances will the Seller have any responsibility on account of any delays in manufacture, transportation, or otherwise. Terms of Export Shipment on application.

NOTE: Any product dimension larger than 92" or any single item weighing more than 3,500 lbs., shall be defined as an oversized and/or overweight product and Zurn's standard FFA terms may not apply. Please contact our customer service department for guidance on potential additional shipping charges.

These charges and restrictions apply in addition to Zurn standard terms and conditions for sale unless otherwise agreed upon by the parties.

LIMITED WARRANTY

Zurn goods sold hereunder are warranted to be free from defects in material and factory workmanship for the period of time from the date of purchase: AquaVantage® Flush Valves, AquaFlush® Flush Valves, Commercial Fixtures, Faucets, Showers, and Tubular Brass three years; Chemical Drainage, Linear Drainage, Light Commercial, Specification Drainage, Zurn Wilkins, and Flush Valve and Tubular Brass decorative finishes one year, PHIX® Cartridge ten years, FOG-ceptor™ thirty years. Where permitted by law, **THE IMPLIED WARRANTY OF MERCHANTABILITY IS LIMITED TO THE ABOVE IDENTIFIED PERIOD OF TIME AND SHALL BE LIMITED SOLELY TO THE REPLACEMENT OF THE DEFECTIVE GOODS.** A damaged/broken test cock or ball valve is not considered defective. Please contact Zurn Customer Care for assistance.

Zurn will replace goods at no cost that prove defective provided Zurn is notified in writing of such defect and the goods are returned prepaid at the specified Zurn location with evidence that they have been properly maintained and used in accordance with instructions. **ZURN SHALL NOT BE RESPONSIBLE FOR ANY LABOR CHARGES OR ANY LOSS, INJURY, OR DAMAGES WHATSOEVER, INCLUDING, BUT NOT LIMITED TO, INCIDENTAL OR CONSEQUENTIAL DAMAGES.** The sole and exclusive remedy shall be limited to the replacement of the defective goods. Before installation and use, the purchaser shall determine the suitability of the product for his intended use and the purchaser assumes all risk and liability whatever in the connection therewith. All weights stated in Zurn catalogs and lists are approximate and are not guaranteed.

RETURNED GOODS

Standard cataloged material may be returned only with written permission of Zurn. Returned goods are subject to a 25% restocking charge of total saleable material returned, plus cost of reconditioning, if necessary, to make material sellable. Transportation charges are the responsibility of the Buyer. Credit allowance will be in the form of merchandise credit only – not cash credit. The value of the return must total at least \$100.00 to qualify for credit allowance. No credit will be allowed for parts unless originally ordered and invoiced as parts. No credit will be allowed for discontinued or made-to-order items. Items that have been specially made are not subject to return or cancellation except by special negotiation. Material must be returned within one year of invoice date for credit to be issued for Chemical Drainage, Linear Drainage, and Light Commercial. Material must be returned within two years of invoice date for credit to be issued for Commercial Fixtures, Flush Valve Products, Specification Drainage, Tubular Brass, and Zurn Wilkins. No credit is allowed for Linear Drainage products that have been cut and Specification Drainage product with auxiliary tappings. Flush Valve material over two years old will be subject to a 50% handling charge. Flush Valve material over five years old will not be accepted. Light Commercial and Specification Drainage galvanized material will be credited at value of Dura-Coated cast iron, and chrome plated at value of bronze. Zurn Wilkins damaged/broken test cocks or ball valves are not considered defective.

ILLUSTRATIONS OF TYPICAL INSTALLATIONS

The typical installations for various products found in each product section are intended to illustrate the products and potential options for the use of these products. Under no circumstances are they to be construed as recommended installation procedures. Consult local codes and project specifications for proper installation instructions.

SHORTAGE/DAMAGE CLAIMS

Notification of material shortages or incorrect filling of orders must be made to Zurn within 10 days of receipt. No claims over three months old will be honored. Buyer agrees to make all complaints for damage in transit or "short count" directly to the carrier; before the contents are unloaded have the carrier agent's acknowledgment of such damage noted on the bill of lading and to present to the carrier its agent's acknowledgment of such damaged material with formal claim covering said damage.

GENERAL

Zurn reserves the right to make changes in design or equipment of any item or product without incurring any obligation on previously sold items, and to discontinue items at any time, without notice. Possession of this Catalog or other sales literature is not to be construed as an offer to sell. All orders are subject to acceptance by Zurn. Catalog printed in U.S.A.

Zurn flush valves are designed to comply with Army Corp of Engineers and Naval guide specifications, Military Specification MIL.V.29193 and Federal Specification WWP541.

Zurn flush valves comply with the following standards: ASME A112.18.1/CSA B125.1, A112.19.5, A112.19.2, A112.19.6, ASSE 1037 and 101 are listed by the following agencies: Canadian Standards, IAPMO/UPC/CUPC, and CSA 125.3. Zurn flush valves are manufactured from dezincification resistant alloys. For additional compliances, contact Zurn Industries, LLC, Commercial Brass Operation, or 1-800-997-3876.

Zurn is not responsible for typographical errors. The contents of this guide are subject to revision without notice.

© 2017 Zurn Industries, LLC Items in this Guide are covered by Patents and Patents Pending. Registered Trademarks.

Zurn Industries, LLC
511 West Freshwater Way
Milwaukee, WI 53204

Zurn Industries, LLC - Finish Plumbing Division
5900 Elwin Buchanan Drive
Sanford, NC 27330

In Canada

Zurn Industries Limited
7900 Goreway Drive, Unit 10
Brampton, ON L6T 5W6, 905-405-8272

[1.855.ONE.ZURN](tel:1855ONEZURN) | ZURN.COM

