



T&S BRASS AND BRONZE WORKS, INC.

2 Saddleback Cove / P.O. Box 1088
Travelers Rest, SC 29690

Model No.

B-0133-14CRQJST

Item No.

Travelers Rest, SC: 800-476-4103 • Simi Valley, CA: 800-423-0150 • Fax: 864-834-3518 • www.tsbrass.com

This Space for Architect/Engineer Approval

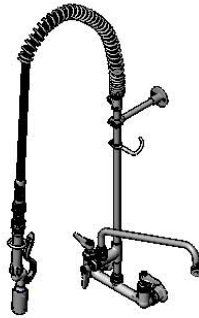
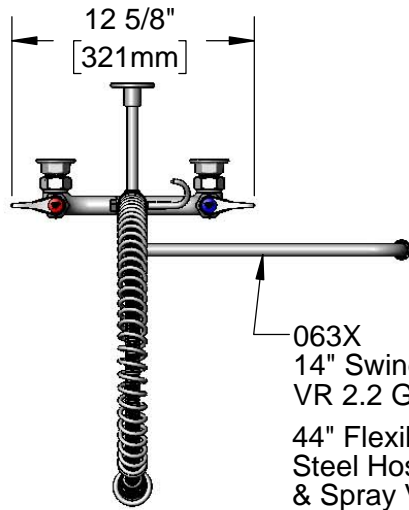
Job Name _____ Date _____

Model Specified _____ Quantity _____

Customer/Wholesaler _____

Contractor _____

Architect/Engineer _____



063X
14" Swing Nozzle w/
VR 2.2 GPM Aerator
44" Flexible Stainless
Steel Hose w/ Spring
& Spray Valve

Items Not Shown
For Clarity

B-TEE-RGD
Tee for Accessory Fittings
Direction of Tee is Discretion
of End-User During Installation

018200-40
Pre-Rinse Swivel

Finger Hook

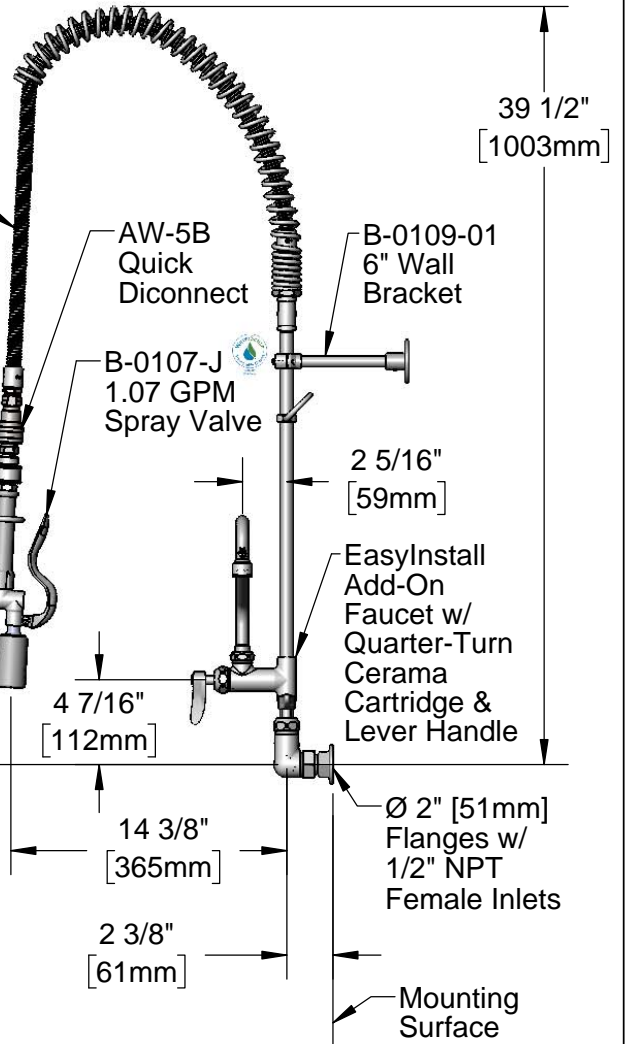
3/8" NPT x 18"
Riser

EasyInstall
Lock Nut
& Bushing

3 11/16"
[93mm]

8"
[203mm]
Adjustable From
7 3/4" to 8 1/4"
[197mm to 210mm]

Quarter-Turn Cerma
Cartridges w/ Check
Valves & Lever Handles
w/ Color Coded Indexes



AW-5B
Quick
Disconnect

B-0109-01
6" Wall
Bracket

B-0107-J
1.07 GPM
Spray Valve

2 5/16"
[59mm]

EasyInstall
Add-On
Faucet w/
Quarter-Turn
Cerama
Cartridge &
Lever Handle

Ø 2" [51mm]
Flanges w/
1/2" NPT
Female Inlets

Mounting
Surface

Product Specifications:

Pre-Rinse Unit: EasyInstall 8" Wall Mount Mixing Faucet, Quarter-Turn Cerma Cartridges w/ Check Valves, Lever Handles, Add-On Faucet, 14" Swing Nozzle w/ VR 2.2 GPM Aerator, 44" Flexible Stainless Steel Hose, Quick Disconnect, 1.07 GPM Spray Valve w/ Swivel, 6" Wall Bracket, Accessory Fitting Tee & 1/2" NPT Female Inlets

Product Compliance:

ASME A112.18.1 / CSA B125.1
NSF 61 - Section 9
NSF 372 (Low Lead Content)
EPA Act 2005 (PRSV)
EPA WaterSense (PRSV)

Drawn: JBC

Checked: JRM

Approved: JHB

Date: 02/17/17

Scale: 1:10

Sheet: 1 of 2



T&S BRASS AND BRONZE WORKS, INC.

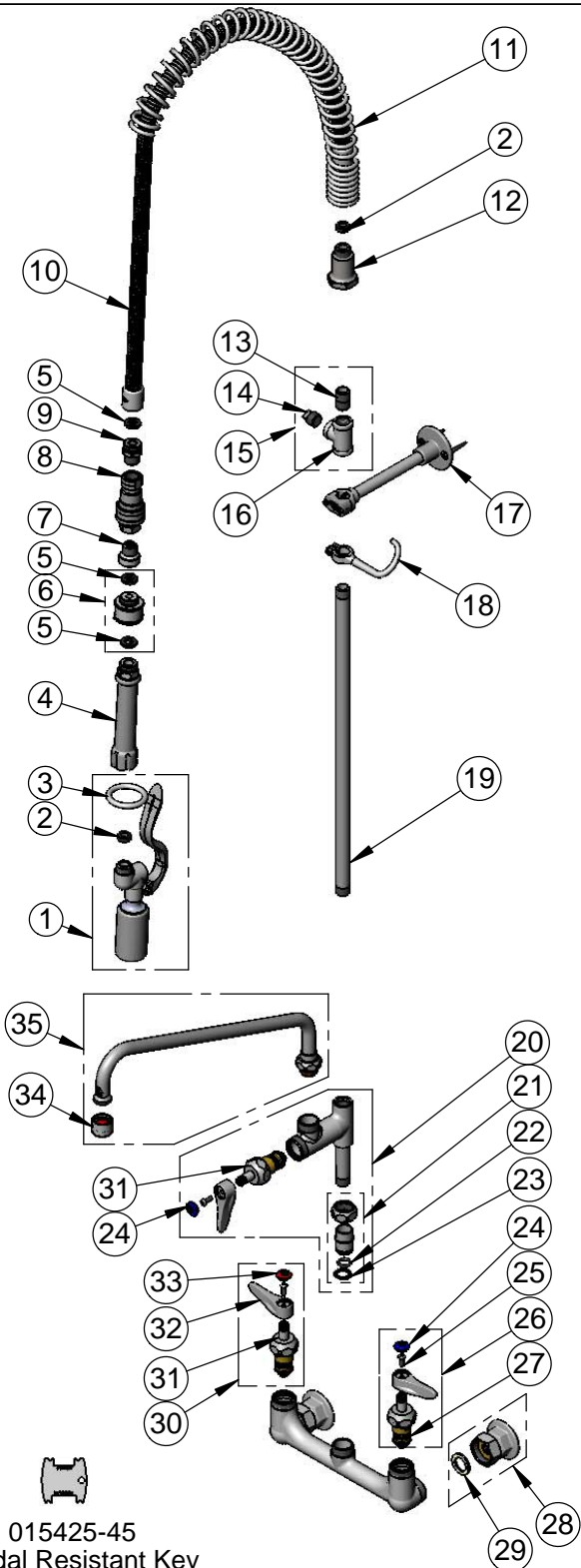
2 Saddleback Cove / P.O. Box 1088
Travelers Rest, SC 29690

Model No.

B-0133-14CRQJST

Item No.

Travelers Rest, SC: 800-476-4103 • Simi Valley, CA: 800-423-0150 • Fax: 864-834-3518 • www.tsbrass.com



ITEM NO.	SALES NO.	DESCRIPTION
1	B-0107-J	1.07 GPM Spray Valve
2	010476-45	#27 Washer
3	000907-45	Spray Valve Hold Down Ring
4	002987-40	Grip Handle
5	001014-45	Washer, B-0100 Hose Barrel
6	018200-40	Pre-Rinse Swivel
7	017959-25	Adapter, 3/8 NPT Male x 7/8-20 Female
8	AW-5B	Quick Disconnect
9	017960-25	Adapter, 3/8 NPT x 7/8-20 Male
10	B-0044-H2A	44" Flexible Stainless Steel Hose, Less Handle
11	000888-45	EasyInstall Overhead Spring
12	000821-40	Spring Body
13	002535-25	3/8" NPT Close Nipple
14	002369-25	3/8" NPT Plug
15	B-TEE-RGD	Rigid Tee
16	001614-40	3/8" NPT Tee
17	B-0109-01	6" Wall Bracket
18	004R	Finger Hook
19	000369-40	3/8" NPT x 18" Riser
20	B-0155-CR-LN	Add-On Faucet, Less Nozzle
21	EZ-K	EasyInstall Kit: Nut, Bushing, O-ring & Lock Washer
22	001065-45	O-ring
23	014200-45	Star Washer, Anti-Rotation
24	018506-19NS	Blue Button Index, Press-in
25	000925-45	Lab Handle Screw
26	012447-25NS	Quarter-Turn Cerama Cartridge, LTC w/ Check Valve, Handle, Index & Screw
27	012395-25NS	Quarter-Turn Cerama Cartridge, LTC w/ Check Valve
28	00AA	1/2" NPT Female Eccentric Flange
29	001019-45	Coupling Nut Washer
30	012446-25NS	Quarter-Turn Cerama Cartridge, RTC w/ Check Valve, Handle, Index & Screw
31	012394-25NS	Quarter-Turn Cerama Cartridge, RTC w/ Check Valve
32	001638-45NS	Lever Handle (New Style)
33	001193-19NS	Red Button Index, Press-in
34	B-0199-06	VR 2.2 GPM Aerator, 55/64-27 UN Female w/ Key
35	063X-V22	14" Swing Nozzle w/ VR 2.2 GPM Aerator

015425-45
Vandal Resistant Key

Product Specifications:
Pre-Rinse Unit: EasyInstall 8" Wall Mount Mixing Faucet, Quarter-Turn Cerama Cartridges w/ Check Valves, Lever Handles, Add-On Faucet, 14" Swing Nozzle w/ VR 2.2 GPM Aerator, 44" Flexible Stainless Steel Hose, Quick Disconnect, 1.07 GPM Spray Valve w/ Swivel, 6" Wall Bracket, Accessory Fitting Tee & 1/2" NPT Female Inlets

Product Compliance:
ASME A112.18.1 / CSA B125.1
NSF 61 - Section 9
NSF 372 (Low Lead Content)
EPA Act 2005 (PRSV)
EPA WaterSense (PRSV)