



# Thermoplastic Valves & Actuated Valves & Accessories



## PRODUCT GUIDE & ENGINEERING SPECIFICATIONS



V-4-0112

SPEARS® THERMOPLASTIC VALVES & ACCESSORIES

• PRODUCT GUIDE & ENGINEERING SPECIFICATIONS

## **Spears® Quality Policy**

**It is the policy and objective of Spears® Manufacturing Company to produce a superior quality product suitable for its intended use, with regard to functionality, structural integrity and conformance to established industry standards and practices. It is the commitment of this Company to do so in a manner which provides consistency of product quality, optimum availability, and superior customer service, while maintaining efficiency of operations and profitability necessary to perpetuate product improvement and customer satisfaction. Furthermore, it is recognized that the attainment of these objectives is the responsibility of all Company operations and personnel according to their respective functions.**



The information contained in this publication is based on current information and product design at the time of publication and is subject to change without notification. Our ongoing commitment to product improvement may result in some variations. No representations, guarantees or warranties of any kind are made as to its accuracy, suitability for particular application or results to be obtained therefrom. For not contained herein, please contact Spears® Technical Services Department [West Coast: (818) 364-1611 — East Coast: (678) 985-1263]. Reproduction of this publication in whole or in part is prohibited without the authorized consent of Spears® Manufacturing Company, Sylmar, California.



# TABLE OF CONTENTS

## Part I - Thermoplastic Valves & Accessories

	Page
■ Introduction to Spears® Valves .....	1
■ Materials .....	4
■ Standards .....	8
■ True Union 2000 Ball Valves Overview .....	9
■ True Union 2000 Industrial Ball Valves .....	10
■ True Union 2000 Industrial 3-Way Ball Valves .....	12
■ True Union 2000 Industrial Tee-Style Ball Valves .....	16
■ True Union 2000 Industrial Ball Check Valves .....	20
■ True Union 2000 Standard Ball Valves .....	22
■ True Union Ball Valves (Regular Style) .....	24
■ True Union Ball Check Valves (Regular Style) .....	26
■ Compact 2000 Ball Valves .....	28
■ Compact Ball Valves .....	30
■ Single Entry Ball Valves .....	32
■ Utility Ball Valves .....	34
■ CWV Ball Valves .....	36
■ CTS 1/4 Turn Angle Supply Stop .....	38
■ CTS Ball Valves .....	39
■ Ball Valve Accessories .....	40
■ Lab Ball Valves .....	52
■ Needle Valves .....	54
■ Plug Gate Valves .....	56
■ Gate Valves .....	58
■ Globe Valves .....	62
■ Y-Pattern Valves .....	64
■ Wafer Butterfly Valves .....	66
■ Butterfly Valves .....	68
■ Butterfly Valve Accessories .....	78
■ Diaphragm Valves .....	82
■ Tee-Style “Zero Dead-Leg” Diaphragm Valves .....	87
■ Industrial Swing Check Valves .....	89
■ Utility Swing & Spring Check Valves .....	92
■ Compression Utility Swing Check Valves .....	94
■ True Union Utility Swing & Spring Check Valves .....	96
■ Sump Pump Swing Check Valves .....	98
■ Swing Check Ball Valves .....	99



## TABLE OF CONTENTS

	Page
■ Quiet Check Valves .....	100
■ Y-Check Valves .....	102
■ Butterfly Check Valves .....	104
■ Diaphragm Check Valves .....	107
■ In-Line Adjustable Spring Check Valves.....	108
■ Backwater Valves .....	110
■ Y-Strainer Valves .....	112
■ Gauge Guards.....	115
■ Basket Strainers .....	116
■ Suction Strainers.....	118
■ T-Style Cartridge Filters.....	120
■ General Installation .....	122
■ Solvent Cement Welded Joints.....	123
■ Threaded Connections .....	125
■ Flanged Connections.....	126
■ Valve Service & Replacement Kits .....	127
■ Ball Valve Troubleshooting Guide.....	134

### Part II - Actuated Thermoplastic Valves

■ Actuated Thermoplastic Valves .....	137
■ Spears® Actuated Valve Packages .....	138
■ Electro Series Actuated Ball Valves.....	139
■ Premium Actuated Valve Packages.....	142
■ Electric Actuated True Union Ball Valves .....	143
■ Pneumatic Actuated True Union Ball Valves.....	144
■ Electric Actuated Butterfly Valves.....	145
■ Pneumatic Actuated Butterfly Valves.....	146
■ Electric Actuated Diaphragm Valves.....	147
■ Unitized Actuated Diaphragm Valves - Pneumatic with Plastic Housing.....	148
■ Pneumatic Actuated Diaphragm Valves.....	149
■ Electric Actuator Options & Accessories .....	150
■ Pneumatic Actuator Options & Accessories For Ball Valves & Butterfly Valve .....	155
■ Pneumatic Actuator Options & Accessories For Diaphragm Valves.....	158
■ Appendix A - Actuation Terminology & Definitions	
■ Appendix B - Premium Actuated Valve Part Number Selection	
■ Appendix C - Custom Actuated Valve Questionnaires	
■ Limited Lifetime Warranty .....	Inside Back Cover



Since 1969, Spears® Manufacturing Company has developed high quality thermoplastic piping system components to better meet industry needs. Spears® thermoplastic valves have been developed through years of product improvement testing, combined with the latest in computer aided engineering and manufacturing technology. Today, Spears® valves are recognized for their quality, reliability and long service life. Backed by the best in customer service and product availability, Spears® valves are the first choice for use in a wide variety of applications, including Industrial & Chemical Processing, Turf & Irrigation, Pool & Spa, and numerous Original Equipment Manufacture products.

## Valve Function Basics

### Ball Valves

Ball valves derive their name from the on/off function accomplished by means of a flow-controlling ball located in the center of the valve body. A hole through the center of the ball (valve bore) connects the inlet and outlet sides of the valve for fluid stream transfer. The ball rotates 90° on an axis perpendicular to the fluid stream in order to block flow in the “off” position. The ball is held in place between two valve seats, which serve as a “bubble tight” seal off, while providing lubrication during valve operation. Elastomer O-rings are used in the stem and seal carrier to prevent fluid leakage. Pressure drop is virtually eliminated in the full-open position, since the valve bore is the same size as Schedule 80 system piping. The T-Style ball valve is a special configuration incorporating a Tee fitting at one end of the valve. This design maintains close proximity of the valve to the fluid mainline to minimize “dead leg” of potential fluid accumulation, where required by specific application.

### 3-Way Ball Valves

3-Way ball valves are “diverter” style ball valves that provide an additional port to redirect the fluid stream. Valve configurations are either vertical (bottom branch port) or horizontal (side branch port). Multiple ball-port options are available in which different hole patterns in the valve ball provide alternative paths to divert flow. These diverter style 3-Way ball valves have no shutoff on the branch ports.

### Check Valves

Check valves are automatic valves that open with forward flow and close with reverse flow. Exact operation will vary depending on the type of check valve mechanism. These include a ball (Ball Check), a swinging disc (Swing Check), a “double disc” (Butterfly Check), a weighted plug (Y-Check), and spring assisted types of check devices. These include a spring assisted swinging disc (Spring Check) and a spring mounted linear disc (In-Line Spring Check). Regardless of type, a check valve has a closure device positioned in the valve body between inlet and outlet so that the fluid stream is easily transmitted in the direction of flow, but is allowed to move against the check device in the event of flow in the reverse direction. Reversed flow is stopped or held in “check” by fluid backflow pressure which seats the closure device against the valve body. Standard elastomer O-ring seals are used in all Spears® Ball Check Valves and Industrial Swing Check Valves. Utility Swing and Spring Check Valves, and Butterfly Check Valves use an elastomer membrane seal; In-Line Spring Check Valves and Y-Check valves use an elastomer seat. Spears® Check Valves have been carefully engineered to minimize pressure drop and can be installed in either horizontal or vertical positions, within the limitations of the specific type of closure device. Ball Check Valves are well suited for general applications of fluids free from debris and entrained solids. Butterfly Check Valves have minimum space requirements and, along with Swing Check Valves, are better for use with fluids containing solids or debris. Swing Check Valves additionally allow higher volume of fluid transmission. Industrial Swing Check models can be fitted with an optional counter balance device to further control closing speed. The Utility Spring Check Valve (spring assisted Swing Check) aids in valve closing, while the In-Line Spring Check can be adjusted for resistance to opening pressure.

### Swing Check Ball Valves

Swing check ball valves are a special design that combines the basic function of a ball valve and a swing check valve for use in general purpose applications where an in-line ball and check valve configuration is required.



## INTRODUCTION TO SPEARS® VALVES

### Gate Valves

Gate valves perform an on/off function accomplished by means of a flow-controlling gate centered in the valve body between the inlet and outlet sides of the valve. The gate moves along a vertical stem axis, perpendicular to the fluid stream, thereby blocking the flow in the closed position and variably increasing the flow as the gate is moved to the full open position. Spears® gate valves use either a cylindrical plug (Plug Gate Valves) or a wedge-shaped gate and sealing surface design (regular Gate Valves). Both provide positive shut off when engaged with the valve body in the closed position and feature non-rising type stem. This provides vertical movement of the gate without extension of the stem above the valve body.

### Butterfly Valves

Butterfly valves are rotary valves in which a disc is rotated 90° to open or close the flow passage. In the full closed position, the disc seals against an elastomer seat. Flow control can be accomplished by varying the degree to which the disc is opened. Spears® Standard and True Lug type Butterfly Valves utilize a special offset disc and low contact seat designed. Spears® Wafer style Butterfly Valve incorporates a special low contact, disc-mounted seat and centered disc. These designs minimize operation torque and improve sealing capabilities over conventional rubber seated valves.

### Diaphragm Valves

Diaphragm valves utilize a moveable elastomeric membrane, or “diaphragm”, to constrict the flow passage through the valve, thereby controlling or throttling fluid flow. The diaphragm additionally isolates system fluids from internal moving parts of the valve. In the Weir-Type design, a raised area in the center of the waterway serves as a seal-off point for the elastomeric diaphragm. When installed in a horizontal position, this additionally facilitates drainage of fluid from the valve. From the full-open position, operation of the valve is accomplished by rotating the handle to vertically move a compressor unit on a threaded shaft. This compresses the attached elastomeric diaphragm to constrict the waterway and finally seal-off flow. Spears® diaphragm valves provide an indicator in the center of the handle for 360° visibility of valve position, and a special stop on the compressor to prevent damage from over-tightening. The T-Style “Zero Dead-Leg” Diaphragm Valve is a special configuration incorporating a Tee fitting at one end of the valve. This design maintains close proximity of the valve to the fluid mainline to minimize “dead leg” of potential fluid accumulation, where required by specific application.

### Globe Valves & Y-Pattern Valves

Globe valves are characterized by a partition separating the two halves of the body with a center passage that is opened and closed by a screw-down/screw-up seat mounted at right angle to the body. The “Globe” name was derived from the original spherical body design for these valves. Globe valves offer excellent flow regulating characteristics, but have a high resistance due to the turning flow path. The Y-Pattern Valve (aka, “oblique valves”) is a hybrid globe valve incorporating an angled stem. This less restrictive flow path design improves flow while maintaining the same excellent throttling characteristics as a globe valve.

### Needle Valves

Needle valves are small sizes of globe valves fitted with a tapered plug. The tapered plug or “needle” is screwed in or out of a mating orifice in the body and thus controls the effective orifice size. Needle valves are excellent for metering and other fine adjustment flow control applications. Spears® Needle Valves use PTFE stem seals and no elastomers for optimum chemical resistance. These are produced in both a conventional “globe” pattern and convenient right-angle pattern design for application versatility.



## ISO 9001 Certified Design & Manufacturing Quality Program

Spears® Quality Management System is certified to the strict requirements of ISO 9001 for optimum control of product design, development, and production. Quality improvement and customer satisfaction are central to each stage of producing Spears® valves from conception through final delivery.

## Development & Testing

The foundation of Spears® products is development, testing, and more testing. Spears® valve development combines proven experience with structural testing at the design level. Materials and design are correlated in computer engineering stress analysis to yield the optimum structure and function of each valve component. Resulting products are then subjected to numerous tests for performance validation of dimensional stability, sealing capability, hydrostatic burst pressure, operational torque, flow capacity, vacuum application suitability and cyclic pressure analysis. Once approved, production valves and components are routinely subjected to dimensional, functional and burst pressure verification tests.

### 100% Sealing Capability Verification

All Spears® ball valves are air-tested for 100% verification of positive sealing during the manufacturing process.

### Hydrostatic Burst Pressure Verification

Representative valve samples are routinely subjected to an internal hydrostatic pressure of 3.2 times their designated pressure rating in a 60-70 second test per ASTM D 1599 during each production run.

### Vacuum Service

Validation of Spears® valves rated for vacuum service is determined from 1-hour tests at 26 in. Hg vacuum with less than 1 in. Hg loss. A vacuum lubricant should be applied to elastomer-seated valve seats, such as Spears® Butterfly Valve or True Union Ball Check Valve, to prevent the seat from drying out in vacuum service applications.

## Spears® Valve Innovations

Not all plastic valves are the same. Spears® valves incorporate several unique features not found in competitive products. The following are a few examples of Spears® innovative improvements to conventional valve designs.

### Spears® Safe-T-Shear® Stem

This important SAFETY FEATURE was developed to help prevent line fluids from leaking out in the event of ball valve stem damage. Engineered for high strength, the stem incorporates a special shear point to control accidental breakage. Over-torquing breaks occur above the stem O-ring leaving the seal intact until repair or replacement can be made.

### Spears® Heavy Buttress Thread Components

When it comes to handling the hydraulic force of high internal pressures, the brute strength of the buttress thread is clearly the best. Its broad bearing surface with an angular backing provide greater thrust support than conventional square-cut, ACME-type threads commonly used in similar ball valve components. All Spears® Ball Valve union nuts and seal carriers are designed with buttress threads for greater strength and pressure handling capabilities — one of the strongest in the plastic valve industry!

### Low Torque, Low Wear Butterfly Valve Seats

Spears® Butterfly Valves provide the lowest operating torque available. Sealing contact between disc and seat takes place only at the close of the valve, allowing free travel through the full range of opening. This unique design eliminates seat creep, extrusion and wear typical with conventional liner-type seats. Exclusive design interlocks seat and body to prevent washout or blowout.

### Flow Balanced Ball Check Valves

Improper ball check valve design can significantly restrict flow, create ball-chatter and even result in reverse ball travel and open flow shutoff! As a result of extensive design testing, Spears® has engineered the internal flow characteristics of the True Union Ball Check Valve to optimize fluid transmission and virtually eliminate ball-chatter.

### Special Reinforced (SR) Female Plastic Threads

This patented Special Reinforced (SR) design is one of the most significant improvements in female plastic thread reliability. Not just an added reinforcing ring, this unique pre-compression design compensates for expansion forces generated from normal tapered pipe thread joint make-up. Radial stress is neutralized in normal installations and contained in severe over tightening situations. Spears® SR Threads are available on a variety of Spears® industrial valves using SS316 reinforcement for optimum chemical and corrosion resistance. Spears® SR Female Spigot Adapters are also available for quick conversion of any slip-socket style valve end connector.



## Spears® Thermoplastic Piping System Materials

### Benefits of Spears® Thermoplastic System Materials

Unlike metal, plastics never rust, scale, or pit — they virtually last forever. Thermoplastics are abrasion resistant, chemical and corrosion resistant, nonconductive, lightweight, and operate at lower friction-loss levels than metals. Moreover, plastics are nontoxic and environmentally safe. Adding these benefits with ease of installation at substantially lower costs, thermoplastic piping system components are the proven choice for years of maintenance free system operations.

### Joining Methods for Spears® Thermoplastic Systems

Spears® thermoplastic piping system products are designed around primary components manufactured from PVC, CPVC or PP materials and their glass filled varieties. PVC and CPVC materials can be easily joined by solvent cement welding plus threaded, flanged or mechanical coupled connections. Spears® PP products are joined by using flanged or threaded connections featuring Spears® patented Special Reinforced (SR) female plastic threads.

### Material Considerations in Application and System Design

PVC, CPVC and PP thermoplastic piping system components will give years of trouble free service with proper attention to application and system design. To avoid problems, the following key points must be considered when selecting materials for an application and in designing a system for their use.

- 1. Fluid incompatibility** of certain chemicals, especially petroleum distillates and derivatives, can cause environmental stress cracking in different thermoplastic compounds. Chemical compatibility of all valve or system components, including solvent cements, must be verified before installation. Verification of fluid compatibility is at the discretion of the user.
- 2. Temperature-pressure relationships** must be considered. Product pressure ratings are based on use of water mediums at 73°F. In general, product pressure ratings must be de-rated as temperature increases (see Temperature Pressure Table for individual valves).
- 3. Expansion and contraction** is greater in thermoplastic systems than in metal systems. As a result, system design must be flexible to allow for movement. Use of Spears® Thermoplastic Expansion Joints is recommended.
- 4. Extreme heat or cold** where internal fluids may freeze or where temperatures may exceed thermoplastic design limits must be avoided, including consideration of storage locations.
- 5. Direct sun exposure** results in high thermal heat absorption, especially in darker color thermoplastic materials. A white water-based exterior latex paint can be applied to reduce heat buildup.
- 6. Lower impact resistance** of thermoplastic system components than that of metal systems requires avoidance of sharp, pointed objects in both above and below ground installations, including mounting devices and backfilling operations.
- 7. Proper installation** is essential. Special attention must be given to technique and instructions for making solvent cemented connections, threaded connections, flanged connections, and for installation of valves and other individual system components. System design must also take into account support, thrust blocking, transition to different materials and other installation related factors.
- 8. Threaded joints** require several considerations. First, pressure capacities of threaded system components should be de-rated to 50% of the rating for corresponding type and size of thermoplastic pipe. **NOTE: Valves have individual pressure ratings and do not require de-rating for threaded connections.** Second, as with internal fluids, certain paste sealants may cause environmental stress cracking in thermoplastic materials, and compatibility should be verified before use. Finally, the leading cause of thread joint failures is from over tightening female thermoplastic threads. Use of Spears® Special Reinforced (SR) Threads is recommended.
- 9. Hydraulic Shock** (water hammer; surge pressure) in thermoplastic piping systems can burst pipe, fittings, and valves. Anticipated surge pressures should be calculated and included in maximum internal pressure ratings of system components (specified “Non-Shock” pressure rating for valves). Safeguards should be incorporated in system design to vent pressures and eliminate entrapped air. Fluid velocities should not exceed a maximum of 5 feet per second in thermoplastic systems.
- 10. Non-liquid transport** — **WARNING: Spears® Manufacturing Company DOES NOT RECOMMEND the use of thermoplastic piping products for systems to transport or store compressed air or gases, or the testing of thermoplastic piping systems with compressed air or gases in above or below ground locations. The use of Spears® products in compressed air or gas systems automatically voids Spears® warranty for such products, and their use against our recommendation is entirely the responsibility and liability of the installer. Spears® Manufacturing Company will not accept responsibility for damage or impairment from its products, or other consequential or incidental damages caused by misapplication, incorrect assembly, and/or exposure to harmful substances or conditions.**



## Individual Materials Overview Thermoplastics

### PVC — Poly Vinyl Chloride

PVC is one of the most specified thermoplastics for piping system components, including, valves, fittings, flanges, and many specialty products. PVC has excellent chemical and corrosion resistance to a broad range of fluids including water, deionized water, most mineral acids, bases, salts and paraffinic hydrocarbon solutions. PVC is not recommended for use with chlorinated or aromatic hydrocarbons, esters, or polar solvents such as ketones. Spears® PVC materials conform to ASTM Cell Classification 12454 (formerly designated as Type I, Grade 1). The maximum recommended service temperature of PVC products is 140°F (60°C).

### Glass Reinforced PVC — Fiberloc®

Fiberloc® is a registered trademark of PolyOne Corporation. Fiberloc® is a glass fiber reinforced PVC composite material. While maintaining the traditional properties of PVC, Fiberloc® increases its strength, stiffness, and dimensional stability from glass fiber reinforcement. The maximum recommended service temperature of Fiberloc® products is 140°F (60°C).

### CPVC — Chlorinated Poly Vinyl Chloride

Chlorinated PVC is used for higher temperature applications than PVC, especially for handling hot corrosive liquids. With similar chemical and corrosion resistance to PVC, increased chlorine content gives CPVC superior thermal resistance. CPVC is not recommended for use with chlorinated or aromatic hydrocarbons, esters, or polar solvents such as ketones. Spears® CPVC materials conform to ASTM Cell Classification 23447 (formerly designated as Type IV, Grade 1). The maximum recommended service temperature of CPVC products is 200°F (93°C).

### Glass Reinforced CPVC

This special composite compound has the basic properties of CPVC with additional strength, stiffness, and dimensional stability from glass fiber reinforcement. The maximum recommended service temperature of glass reinforced CPVC products is 200°F (93°C).

### PP — Polypropylene

Polypropylene is used in a variety of Spears® valves where different chemical resistance and lower temperature impact resistance is required as compared to PVC or CPVC. The excellent impact resistance characteristics of polypropylene make this polymer the choice for Spears® valve handles. Spears® PP products carry a maximum recommended service temperature of 180°F (82°C).

### Glass Reinforced PP

Glass reinforced polypropylene is used in numerous valves and valve accessories where additional strength or stiffness is required over standard PP materials while maintaining basically the same range of chemical resistance.

### PTFE/PFA — Polytetrafluoroethylene/ Perfluoroalkoxy Resin

PTFE is a ram extrusion process while PFA is a melt processed fluoroplastic. These fluoroplastics are virtually inert to most chemicals, acids bases and solvents. Due to their low coefficient of friction, these materials are considered “self-lubricating” making them an excellent choice for valve seats, bearings and thrust washers. Spears® proprietary processing of PTFE with other materials allows low friction characteristics to be built into a variety of thermoplastic components used in Spears® valves. Fluoroplastics are serviceable to 500°F (260°C).

### PTFE/HDPE

Spears® proprietary composition of PTFE and High Density Polyethylene is used in a variety of valve seats, bearing washers, and other valve components requiring durability and improved lubricity. The chemical resistance of HDPE is somewhat higher than that of LDPE and generally exceeds that of PVC and CPVC. HDPE has excellent resistance to acids, alcohols and bases. In comparison to PVC and CPVC, HDPE is somewhat less resistant to aliphatic hydrocarbons and has more limited resistance to oxidizing agents. HDPE is serviceable to 230°F (110°C).

### Low Extractable PVC

Low Extractable PVC material developed for use in UPW (Ultra Pure Water) and other high purity applications. Independently tested, Low Extractable PVC provides superior resistance to regular PVC for leaching of anion, cation, and numerous trace metals when subjected to 18.2 megohm deionized water while maintaining ease of installation. Low Extractable PVC has the same basic chemical resistance as regular PVC.

### Elastomers

#### EPR (EPDM) — Ethylene propylene rubber

Used in O-ring seals, EPR is recommended for water, chlorinated water, dilute acids and alkalines, alcohols, and has excellent resistance to ozone. EPR is not recommended for petroleum oils, di-ester lubricants, strong acids, or strong alkalines. The maximum recommended service temperature of EPR is 300°F (149°C).



## FKM — Fluoroelastomer

Fluoroelastomers are a special purpose fluorocarbon-based synthetic rubber categorized under the ASTM designation of “FKM”. The FKM O-ring is commonly referred to as a “Viton® O-ring”. However, “Viton®” is only one of many FKM brand names and is a registered trademark of DuPont Performance Elastomers L.L.C. Spears® uses general purpose Type 1 FKM O-rings with a minimum of 66% fluorine content for the best balance of overall properties. FKM exhibits a very broad range of chemical resistance, including petroleum oils, di-ester based lubricants, silicate fluids and greases, halogenated hydrocarbons, and mineral acids. FKM is not recommended for ketones, amines, anhydrous ammonia, hot hydrofluoric or chlorosulfonic acids, or automotive brake fluids. The maximum recommended service temperature of FKM is 400°F (204°C).

## Nitrile (Buna-N) — Nitrile elastomer

Used in O-ring seals, nitrile elastomers are recommended for petroleum oils and fluids, silicone oils and greases, di-ester based lubricants, ethylene glycol based fluids, and cold water. Nitrile is not recommended for phosphate ester hydraulic fluids, halogenated hydrocarbons, strong acids, ketones, ozone or automotive brake fluids. The maximum recommended service temperature of nitrile is 275°F (135°C).

## FFKM (Aegis™, Kalrez®) — Perfluoroelastomer

Aegis™ is a trademark of ISC Freudenberg-NOK, Kalrez® is a registered trademark of DuPont-Dow Elastomers. These specialty materials are virtually inert and provide the greatest range of chemical resistance found in an elastomer. However, be aware that perfluoroelastomers are substantially more expensive than other elastomer compounds. Perfluoroelastomer are serviceable to 600°F (360°C) and performance is limited at very low temperatures.

## CSM (Hypalon®) — Chlorosulfonated Polyethylene

Hypalon® is a registered trademark of DuPont-Dow Elastomers. CSM is a close match to neoprene, but it has improved chemical resistance. This specialty compound offers good abrasion resistance with superior resistance to weather, ozone, sunlight and oxidation. CSM has excellent resistance to alcohols, alkalis and acids, very good color stability with moderate resistance to oils and gasoline. CSM is not recommended for use with aromatic solvents. CSM has limited flexibility at low temperatures and relatively poor compression set. As a result, CSM is not generally manufactured as O-rings. CSM is serviceable to 300°F (149°C). Hypalon® is offered as an alternative diaphragm elastomer in Spears® Diaphragm Valves.

## PFA/FEP Encapsulated O-rings

O-ring encapsulation places a PFA or FEP material around a FKM elastomer core to provide very high chemical resistance. However, this is not without a trade-off. The PFA/FEP encapsulation is far less resilient than an elastomer and may not perform as well in certain O-ring applications. PFA/FEP encapsulated O-rings should be used only where an elastomer O-ring cannot meet requirements.

## Elastomer Backed PTFE

Used in Spears® PTFE Diaphragm Valves, this chemically bonded laminate provides the chemical resistance of PTFE with improved resilience from a thick elastomer backing for greater sealing capability than solid PTFE Diaphragms. Use of heavier, high grade EPDM or FKM backing materials eliminates the need for “gas barrier” PTFE Diaphragm designs.

## Metals

### Zinc Plated Steel

Zinc plated carbon steel is the standard for general purpose bolts, nuts and fasteners. Zinc plated steel provides good corrosion resistance for most dry environment applications and normal operating conditions.

### Stainless Steel

Stainless Steel provides superior corrosion resistance than natural or plated carbon steels. Common grade is 18-8, which is excellent for general purpose use in nuts, bolts and fasteners. SS302 and SS304 are commonly used in a variety of sheet stock or deep drawn metal components. SS316 is the preferred choice for harsh chemical and corrosion environments and is used in the majority of Spears® industrial valves and accessories where stainless steel is required.

### PTFE Coated Stainless Steel

Where very high chemical resistance is needed, Spears® offers a special PTFE coated, stainless steel Butterfly Valve stem. This tough, chemically bonded coating makes the stem virtually inert to most chemicals without loss of function or reliability.

### Special Alloys (Titanium, Hastaloy®, Alloy 20, etc.)

A variety of specialty metals can be obtained on a custom order basis for use in Spears® products where specific chemical or corrosion resistance is required and specified by user. Please note that custom components generally require extended lead-time and may have significant costs.



## Temperature Pressure De-rating for PVC, CPVC & PP Thermoplastic Materials

Elevated temperature fluid mediums require a de-rating of thermoplastic pipe maximum internal pressure ratings at 73°F. To determine the maximum internal pressure rating at an elevated temperature, simply multiply the pipe pressure rating at 73°F by the percentage specified for the desired temperature.

*PLEASE NOTE — Valves have different elevated temperature ratings than pipe & fittings. See individual valve recommendations.*

System Operating Temperature °F (°C)	73 (23)	80 (27)	90 (32)	100 (38)	110 (43)	120 (49)	130 (54)	140 (60)	150 (66)	160 (71)	170 (77)	180 (82)	190 (88)	200 (93)	210 (99)
<b>PVC</b>	100%	90%	75%	62%	50%	40%	30%	22%	-0-	-0-	-0-	-0-	-0-	-0-	-0-
<b>CPVC</b>	100%	100%	91%	82%	73%	65%	57%	50%	45%	40%	32%	25%	22%	20%	-0-
<b>PP</b>	100%	90%	75%	70%	65%	50%	42%	36%	30%	25%	20%	15%	-0-	-0-	-0-

## Typical Physical Properties of PVC, CPVC & PP Thermoplastic Materials

The following table lists typical physical properties of PVC, CPVC and PP thermoplastic materials. Variations may exist depending on specific compound and product.

Properties	ASTM Test Method	PVC	CPVC	PP Natural*
<b>Mechanical Properties, 73°F</b>				
Specific Gravity	D 792	1.41	1.55	.907
Tensile Strength, psi	D 638	7,200	8,000	5,240
Modulus of Elasticity, psi	D 638	440,000	360,000	231,000
Compressive Strength, psi	D 695	9,000	10,100	---
Flexural Strength, psi	D 790	13,200	15,100	---
Izod Impact, notched, ft-lb/in	D 256	.65	1.50	3.02
<b>Thermal Properties</b>				
Heat Deflection Temperature, °F at 66 psi	D 648	165	217	201
Thermal Conductivity, BTU/hr/sq ft/°F/in	C 177	1.20	.95	
Coefficient of Linear Expansion, in/in/°F	D 696	3.1 x 10 <sup>-5</sup>	3.4 x 10 <sup>-5</sup>	5.42 x 10 <sup>-5</sup>
<b>Flammability</b>				
Limiting Oxygen Index, % UL 94 Rating	D 2863	43 94V-0	60 V-0, 5VB, 5VA	HB
<b>Other Properties</b>				
Water Absorption, % 24 hr. Industry Standard Color	D 570	.05 Dark Gray / White	.03 Medium Gray	.02 Natural/Beige
ASTM Cell Classification	D 1784/D 4101	12454	23447	PP0112 B65242
NSF® Potable Water Approved		Yes	Yes	Yes

\* Glass filled PP will have slightly different values with higher tensile strength.



## Spears® Valve Standards

Standards provide greater assurance of product performance and consistency, and are available to assist design engineers in system specification. The most frequently referenced industry standards for plastic piping systems are ASTM Standard Specifications and Practices. Along with ASTM Standards, additional product specifications and certifications form the basis of product conformance to which Spears® valves are manufactured.

### Individual Standards Overview

#### ASTM — American Society for Testing and Materials

##### ASTM D 1784

Specifies compound physical requirements for PVC and CPVC materials used in the manufacture of thermoplastic valves, pipe, and fittings. The standard classifies compounds on the basis of several physical and chemical properties. Conformance to a particular material classification requires meeting the minimum requirements specified.

##### ASTM D 1785 and F 441

Specifies physical dimensions, test requirements, and maximum operating pressures, for Schedule 40, 80 and 120 PVC (D 1785) and CPVC (F 441) pressure pipe.

##### ASTM D 2466 and F 438

Specifies physical dimensions, test requirements, and workmanship for Schedule 40 PVC (D 2466) and CPVC (F 438) pressure fittings.

##### ASTM D 2464 and F 437

These standards have been incorporated into ASTM D 2467 and F 439, respectively.

##### ASTM D 2467 and F 439

Specifies physical dimensions, test requirements, and workmanship for Schedule 80 PVC (D 2467) and CPVC (F 439) pressure fittings.

##### ASTM D 2564, F 493, and F 656

Specifies requirements for PVC (D 2564) and CPVC (F 493) solvent cement, including component compounds, minimum resin content, viscosity, and physical performance. Standard F 656 specifies requirements for primers to be used with PVC solvent cements.

##### ASTM D 2846

Specifies physical dimensions, test requirements, and workmanship for CPVC Hot-and-Cold Water Distribution Systems, commonly referred to as CTS (Copper Tube Size).

##### ASTM D 2855

Specifies standard practice and procedures for making PVC pipe and fitting joints with solvent cement.

##### ASTM D 4101

Specifies classification of injection molding and extrusion grades of Polypropylene (PP) materials according to physical characteristics. Conformance to a particular material classification requires meeting the minimum requirements specified.

##### ASTM F 1498

Specifies dimensions and gauging of tapered pipe threads on plastic pipe and fittings.

##### ASTM F 1970

Specifies performance criteria testing, and end connection dimensions for products such as ball valves and check valves.

#### ANSI — American National Standards Institute

##### ANSI B1.20.1

Specifies basic thread form, taper, and tolerances of general purpose tapered pipe threads (metal).

##### ANSI B16.5

Specifies standard bolt hole patterns and basic dimensions for Class 150 steel pipe flanges.

#### NSF® — National Sanitation Foundation

NSF® is a third party product approval agency which tests manufacturer's product against a variety of health and product performance standards. They are one of the most recognized agencies for issuing approval of plastic piping system products for potable water use.

##### NSF® Standard 14

Certifies product suitability for potable water use, product conformance to applicable ASTM standards, and establishes minimum requirements for manufacturer's quality control programs through routine testing and facilities inspections.

##### NSF® Standard 14 Special Engineering Appurtenance Program (S.E.)

In addition to Standard 14 general requirements, the S.E. program establishes product performance requirements where no directly applicable ASTM specifications exist. NSF® S.E. specifications are developed from a combination of applicable portions of ASTM specifications and manufacturer's design specifications as a standard for conformance verification.

##### NSF® Standard 61

Developed to establish minimum requirements for the control of potential adverse health effects from products in contact with drinking water. Certifies product suitability for use in potable water systems through toxicological testing for contaminants or impurities. NSF® Standard 61 compliance is a prerequisite to NSF® Standard 14 certification.

## TRUE UNION 2000 BALL VALVES



### One of the Most Versatile, Compact Valve Designs Available

Spears® True Union 2000 Ball Valves, 3-Way Ball Valves and Ball Check Valves provide maximum versatility with fully interchangeable valve cartridges. Provides for easier system design modifications and upgrades in multiphase projects, or anywhere changes in valve types are desired. Simply exchange any True Union 2000 valve in-line using existing union nuts. Also mates with Spears® new 2000 Pipe Unions. All True Union 2000 valves feature a low profile, compact design for minimal space requirements. Additionally, Spears® offers valve Retrofit Kits for easy in-line replacement of other valves and factory installed Actuation Packages.



**True Union 2000  
Industrial Ball Valve**



**True Union 2000  
Industrial Ball Check Valve**



**True Union 2000  
Standard Ball Valve**



**True Union 2000  
Industrial 3-Way Horizontal  
Diverter Ball Valve**



**True Union 2000  
Industrial 3-Way Vertical  
Ball Valve**



**True Union 2000  
Industrial Tee-Style  
Ball Valve**



# TRUE UNION 2000 INDUSTRIAL BALL VALVES



## Features – PVC, CPVC

This multi-featured, space saving quarter-turn shutoff valve is designed to meet the demands of today's industrial and chemical processing applications. PVC and CPVC valves are available in IPS sizes 1/2" through 6" with socket/regular thread, SR (Special Reinforced) thread, flanged or spigot end connectors and 8" Venturied valve with socket or flanged ends. Also available in metric socket and BSP thread sizes 1/2" through 2".

## Sample Engineering Specification

All thermoplastic ball valves shall be True Union 2000 Industrial type manufactured to ASTM F 1970 and constructed from PVC Type I, ASTM D 1784 Cell Classification 12454 or CPVC Type IV, ASTM D 1784 Cell Classification 23447. All O-rings shall be EPDM or FKM. All valves shall have Safe-T-Shear® stem with double O-ring stem seals. All valve handles shall be polypropylene with built-in lockout mechanism. All valve union nuts shall have Buttress threads. All seal carriers shall be Safe-T-Blocked®. All valve components shall be replaceable. All EPDM valves shall be certified by NSF® International for use in potable water service. All 1/2" through 4" valves shall be pressure rated to 235 psi, all 6" and 8" Venturied and all flanged valves shall be pressure rated to 150 psi for water at 73°F.

## Quick-View Valve Selection Chart

Valve Size	O-ring Material	PVC Part Number <sup>1,2</sup>					Pressure Rating	
		Socket	Threaded	SR Threaded	Flanged	Spigot		
1/2	EPDM	1829-005	included	1821-005SR	1823-005	1827-005	235 psi Non-Shock Water @ 73°F	
	FKM	1839-005	included	1831-005SR	1833-005	1837-005		
3/4	EPDM	1829-007	included	1821-007SR	1823-007	1827-007		
	FKM	1839-007	included	1831-007SR	1833-007	1837-007		
1	EPDM	1829-010	included	1821-010SR	1823-010	1827-010		
	FKM	1839-010	included	1831-010SR	1833-010	1837-010		
1-1/4	EPDM	1829-012	included	1821-012SR	1823-012	1827-012		
	FKM	1839-012	included	1831-012SR	1833-012	1837-012		
1-1/2	EPDM	1829-015	included	1821-015SR	1823-015	1827-015		
	FKM	1839-015	included	1831-015SR	1833-015	1837-015		
2	EPDM	1829-020	included	1821-020SR	1823-020	1827-020		(Flanged 150 psi Non-Shock) Water @ 73°F
	FKM	1839-020	included	1831-020SR	1833-020	1837-020		
2-1/2	EPDM	1822-025	1821-025	1821-025SR	1823-025	1827-025		
	FKM	1832-025	1831-025	1831-025SR	1833-025	1837-025		
3	EPDM	1822-030	1821-030	1821-030SR	1823-030	1827-030		
	FKM	1832-030	1831-030	1831-030SR	1833-030	1837-030		
4	EPDM	1822-040	1821-040	1821-040SR	1823-040	1827-040		
	FKM	1832-040	1831-040	1831-040SR	1833-040	1837-040		
6	EPDM	1822-060	1821-060	1821-060SR	1823-060	1827-060		
	FKM	1832-060	1831-060	1831-060SR	1833-060	1837-060		
8 <sup>3</sup>	EPDM	1822-080	—	—	1823-080	—	150 psi Non-Shock Water @ 73°F	
	FKM	1832-080	—	—	1833-080	—		

1) For CPVC, add the letter "C" following the size code of part number listed (e.g., 1829-005C, 1821-005CSR)  
 2) For Special Ball Vent Design, add the letter "V" before the dash separator (e.g., 1829V-005, 1821V-005CSR)  
 3) 8" Venturied Valves are 6" ball valves fitted with 6x8 end connector adapters.

- Chemical & Corrosion Resistant PVC or CPVC Construction
- Also Available in Spears® High Purity, Low Extractable PVC Material
- Interchangeable with all True Union 2000 Valves Mates with Union 2000 Pipe Unions
- High Impact Polypropylene Handle
- Built-in Handle Lockout
- Schedule 80 Full-Bore Design
- Strong, Buttress Thread Union Nuts
- Spears® Double O-ring Safe-T-Shear® Stem Design
- EPDM or FKM O-rings
- Spears® Safe-T-Blocked® Seal Carrier
- Self Adjusting PTFE Floating Seat Design
- Fully Serviceable, Replaceable Components
- Sizes 1/2" - 4" pressure rated to 235 psi @ 73°F. Sizes 6" and 8" Venturied and all Flanged to 150 psi @ 73°F.
- EPDM Valves NSF® Certified for Potable Water use
- Suitable for Vacuum Service
- Assembled with Silicone-Free, Water Soluble Lubricants
- Manufactured to ASTM F 1970

## Optional Vented Ball Valves

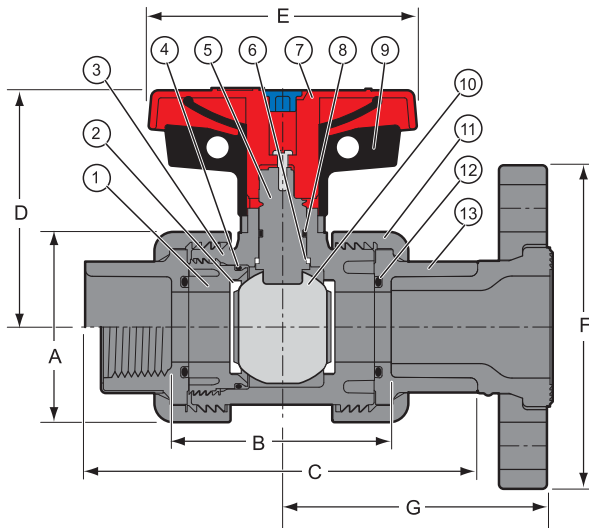
Same valve with special ball vent design for sodium hypochlorite (bleach) and other chemical applications where entrapped fluids may form caustic crystalline residues and pressure build up from gases developed. Valve has a 1/8" vent hole in ball to equalize internal fluid pressures. Install valve with ball vent on the pressure (upstream) side when in closed position.

## Optional Accessories\*

- Retro-Fit End Connector Sets for Valve Replacement
- Split-Nut Repair Kits for Union Nut Replacement
- Supplemental End Connectors
- Round Safety Handles
- Handle Lockout Ring
- Stem Extension Kits
- Square Operator Nuts
- Multi Mount Valve/Actuation Mounting Kits
- Mini-Mount Actuation Mounting Kits

\* See "BALL VALVE ACCESSORIES" section for details of individual products.

# TRUE UNION 2000 INDUSTRIAL BALL VALVES



## Replacement Parts

No.	Component	Qty.	Material
1	Seal Carrier	1	PVC/CPVC
2	Seat	2	PTFE
3	Body	1	PVC/CPVC
4	Carrier O-ring	1	EPDM/FKM
5	Stem	1	PVC/CPVC
6	Stem Bearing	1	PP
7	Handle	1	PP
8	Stem O-ring	2	EPDM/FKM
9	Handle Lock	1	PP
10	Ball	1	PVC/CPVC
11	Union Nut	2	PVC/CPVC
12	End Connector O-ring	2	EPDM/FKM
13	End Connector	2	PVC/CPVC

## Dimensions, Weights, Operating Torque & Cv Values

Nominal Size	Dimensions Reference (inches, ± 1/16)										Approx. Wt. (Lbs.)		Oper. <sup>2</sup> Torque (in. lbs.)	Cv <sup>3</sup> Values		
	A	B <sup>1</sup>		C			D	E	F	G	PVC	CPVC		Soc/Thd	Flanged	Spigot
		Soc/Thd	Spigot	Socket	Thread	Spigot										
1/2	1-7/8	2-3/8	2-7/8	4-3/16	3-3/16	4-5/8	2-9/16	2-13/16	3-1/2	2-31/32	.36	.38	16	29	18	27
3/4	2-1/4	2-3/4	3-1/4	4-3/4	4-1/4	5-1/4	2-7/8	3-3/8	3-7/8	3-5/16	.56	.58	17	63	39	57
1	2-1/2	2-7/8	3-1/2	5-1/8	4-11/16	5-3/4	3-1/8	3-7/16	4-1/2	3-5/8	.74	.77	22	120	73	108
1-1/4	3-1/16	3-1/4	3-13/16	5-3/4	5-3/16	6-5/16	3-5/8	3-7/8	4-5/8	3-31/32	1.13	1.19	28	243	151	223
1-1/2	3-1/2	3-1/2	4	6-1/4	5-7/16	6-3/4	4	4-3/16	5	4-3/8	1.54	1.60	61	357	223	333
2	4-5/16	4-25/32	5-3/16	7-3/4	7-13/16	8-1/4	4-1/2	5-3/32	6	5-1/4	2.72	2.85	77	599	395	571
2-1/2	5-3/8	6-7/8	7-13/16	10-7/16	9-11/16	11-3/8	5-1/8	6-1/4	7-1/2	6	7.42	7.70	132	856	579	734
3	6-3/16	7	7-13/16	10-11/16	9-7/8	11-9/16	5-7/8	7-5/8	7-1/2	6-13/16	7.46	7.81	132	1416	974	1322
4	7-3/4	7-5/16	8-1/4	11-7/8	10-1/4	12-3/4	6-3/4	9	9	7-1/2	12.35	12.48	396	2865	1952	2672
6	11-5/8	11-1/16	13	17-1/16	15-3/4	18-1/2	8-1/8	14-5/16	11-1/4	10-3/16	37.53	40.55	732	6638	4824	6149
8 <sup>4</sup>	11-5/8	23-3/16	---	31-7/8	---	---	8-1/8	14-5/16	13-1/2	17-13/16	50.84	55.92	732	N/A	N/A	N/A

1: Valve Lay Length

2: Torque required at valve maximum internal pressure rating, 5ft/sec. Flow velocity; due to adjustment differences during installation, actual valves may vary.

3: Gallons per minute at 1 psi pressure drop. Valves calculated from laying length, based on derivative of Hazen-Williams equation with surface roughness factor of C=150.

4: 8" Venturied Valves are 6" ball valves fitted with 6x8 end connector adapters.

## Temperature Pressure Rating

System Operating Temperature °F (°C)		100 (38)	110 (43)	120 (49)	130 (54)	140 (60)	150 (66)	160 (71)	170 (77)	180 (82)	190 (88)	200 (93)	210 (99)	
Valve Pressure Rating (MPa)	1/2" - 4"	PVC	235 (1.62)	211 (1.45)	150 (1.03)	75 (.52)	50 (.34)	-0- (-0-)	-0- (-0-)	-0- (-0-)	-0- (-0-)	-0- (-0-)	-0- (-0-)	
		CPVC	235 (1.62)	219 (1.51)	170 (1.17)	145 (1.00)	130 (.90)	110 (.76)	90 (.62)	80 (.55)	70 (.48)	60 (.41)	50 (.34)	-0- (-0-)
	6" and 8"	PVC	150 (1.03)	135 (.93)	110 (.76)	75 (.52)	50 (.34)	-0- (-0-)	-0- (-0-)	-0- (-0-)	-0- (-0-)	-0- (-0-)	-0- (-0-)	-0- (-0-)
		CPVC	150 (1.03)	140 (.97)	130 (.90)	120 (.83)	110 (.76)	100 (.70)	90 (.62)	80 (.55)	70 (.48)	60 (.41)	50 (.34)	-0- (-0-)

NOTE: Flanged Valves have a base pressure rating of 150 psi.

**NOT FOR DISTRIBUTION OF COMPRESSED AIR OR GASES**



# TRUE UNION 2000 INDUSTRIAL 3-WAY BALL VALVES



### Quick-View Valve Selection Chart 3-Way Vertical Ball Valve

Valve Size	O-ring Material	PVC Part Number <sup>1, 2, 3, 4</sup>				Pressure Rating	
		Socket	SR Threaded	Flanged	Spigot		
1/2	EPDM	4722L1-005	4721L1-005SR	4723L1-005	4727L1-005	235 psi Non-Shock Water @ 73°F	
	FKM	4732L1-005	4731L1-005SR	4733L1-005	4737L1-005		
3/4	EPDM	4722L1-007	4721L1-007SR	4723L1-007	4727L1-007		
	FKM	4732L1-007	4731L1-007SR	4733L1-007	4737L1-007		
1	EPDM	4722L1-010	4721L1-010SR	4723L1-010	4727L1-010		
	FKM	4732L1-010	4731L1-010SR	4733L1-010	4737L1-010		
1-1/4	EPDM	4722L1-012	4721L1-012SR	4723L1-012	4727L1-012		(Flanged 150 psi Non-Shock) Water @ 73°F
	FKM	4732L1-012	4731L1-012SR	4733L1-012	4737L1-012		
1-1/2	EPDM	4722L1-015	4721L1-015SR	4723L1-015	4727L1-015		
	FKM	4732L1-015	4731L1-015SR	4733L1-015	4737L1-015		
2	EPDM	4722L1-020	4721L1-020SR	4723L1-020	4727L1-020		
	FKM	4732L1-020	4731L1-020SR	4733L1-020	4737L1-020		
2-1/2	EPDM	4722L1-025	4721L1-025SR	4723L1-025	4727L1-025	150 psi Non-Shock Water @ 73°F	
	FKM	4732L1-025	4731L1-025SR	4733L1-025	4737L1-025		
3	EPDM	4722L1-030	4721L1-030SR	4723L1-030	4727L1-030		
	FKM	4732L1-030	4731L1-030SR	4733L1-030	4737L1-030		
4	EPDM	4722L1-040	4721L1-040SR	4723L1-040	4727L1-040		
	FKM	4732L1-040	4731L1-040SR	4733L1-040	4737L1-040		

- 1: For CPVC valve, add the letter "C" to the part number (e.g. 4722L1-005C)
- 2: For Double L-Port, add the number "2" to the part number (e.g. 4722L2-005)
- 3: For Triple L-Port, add the number "3" to the part number (e.g. 4722L3-005)
- 4: For T-Port, add the letter "T1" to the part number (e.g. 4722T1-005)

### Quick-View Valve Selection Chart 3-Way Horizontal Diverter Valve (no branch shutoff)

Valve Size	O-ring Material	PVC Part Number <sup>1, 2</sup>				Pressure Rating		
		Socket	SR Threaded	Flanged	Spigot			
1/2	EPDM	5022L1-005	5021L1-005SR	5023L1-005	5027L1-005	235 psi Non-Shock Water @ 73°F		
	FKM	5032L1-005	5031L1-005SR	5033L1-005	5037L1-005			
3/4	EPDM	5022L1-007	5021L1-007SR	5023L1-007	5027L1-007			
	FKM	5032L1-007	5031L1-007SR	5033L1-007	5037L1-007			
1	EPDM	5022L1-010	5021L1-010SR	5023L1-010	5027L1-010		(Flanged 150 psi Non-Shock) Water @ 73°F	
	FKM	5032L1-010	5031L1-010SR	5033L1-010	5037L1-010			
1-1/4	EPDM	5022L1-012	5021L1-012SR	5023L1-012	5027L1-012			
	FKM	5032L1-012	5031L1-012SR	5033L1-012	5037L1-012			
1-1/2	EPDM	5022L1-015	5021L1-015SR	5023L1-015	5027L1-015			
	FKM	5032L1-015	5031L1-015SR	5033L1-015	5037L1-015			
2	EPDM	5022L1-020	5021L1-020SR	5023L1-020	5027L1-020			150 psi Non-Shock Water @ 73°F
	FKM	5032L1-020	5031L1-020SR	5033L1-020	5037L1-020			
2-1/2	EPDM	5022L1-025	5021L1-025SR	5023L1-025	5027L1-025			
	FKM	5032L1-025	5031L1-025SR	5033L1-025	5037L1-025			
3	EPDM	5022L1-030	5021L1-030SR	5023L1-030	5027L1-030			
	FKM	5032L1-030	5031L1-030SR	5033L1-030	5037L1-030			
4	EPDM	5022L1-040	5021L1-040SR	5023L1-040	5027L1-040			
	FKM	5032L1-040	5031L1-040SR	5033L1-040	5037L1-040			

- 1: For CPVC valve, add the letter "C" to the part number (e.g. 5022L1-005C)
- 2: For T-Port, add the letter "T1" to the part number (e.g. 5022T1-005)

NOT FOR DISTRIBUTION OF COMPRESSED AIR OR GASES



# TRUE UNION 2000 INDUSTRIAL 3-WAY BALL VALVES



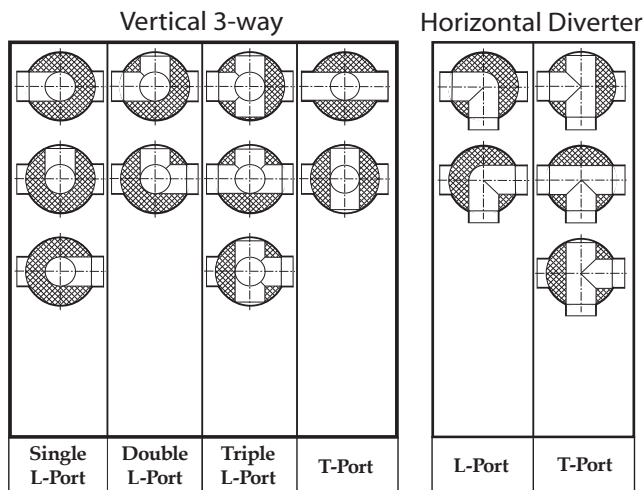
## Features – PVC, CPVC

Versatile design provides multiple port and configuration options for controlling flow distribution in industrial and chemical processing applications. Choose Vertical 3-Way (L-Port Diverter, T-Port Off) or Horizontal Diverter configurations with open branch (no shutoff) design. Valves are available in IPS sizes 1/2" through 4" with socket, SR threaded (Special Reinforced), flanged or spigot end connectors. Venturied 6" (4" valves with 4 x 6 reducers) are also available with socket or flanged valve end connections.

- Chemical & Corrosion Resistant PVC or CPVC Construction
- Vertical 3-Way or Horizontal Diverter Design (no branch shutoff)
- L-Port, Multi L-Port & T-Port Ball Configuration Options
- Interchangeable with all True Union 2000 Valves, Mates with Union 2000 Pipe Unions
- High Impact Polypropylene Handle
- Built-in Handle Lockout
- Strong, Buttress Thread Union Nuts
- Spears® Double O-ring Safe-T-Shear® Stem Design
- EPDM or FKM O-rings
- Spears® Safe-T-Blocked® Seal Carrier
- Self Adjusting PTFE Floating Seat Design
- Fully Serviceable, Replaceable Components
- Sizes 1/2" - 2" pressure rated to 235 psi @ 73°F  
Sizes 2-1/2" - 4" and all Flanged to 150 psi @ 73°F
- EPDM Valves NSF® Certified for Potable Water use
- Suitable for Vacuum Service
- Assembled with Silicone-Free, Water Soluble Lubricants
- Manufactured to ASTM F 1970
- Metric Socket and BSP Thread Available

## 3-Way Port Options

Diverter Valves have no shut-off on branch.



Ball Port Options viewed from top of valve.

## Optional Accessories\*

- Retro-Fit End Connector Sets for Valve Replacement
- Split-Nut Repair Kits for Union Nut Replacement
- Supplemental End Connectors
- Stem Extension Kits
- Square Operator Nuts
- Multi Mount Valve/Actuation Mounting Kits

\* See "BALL VALVE ACCESSORIES" section for details of individual products.

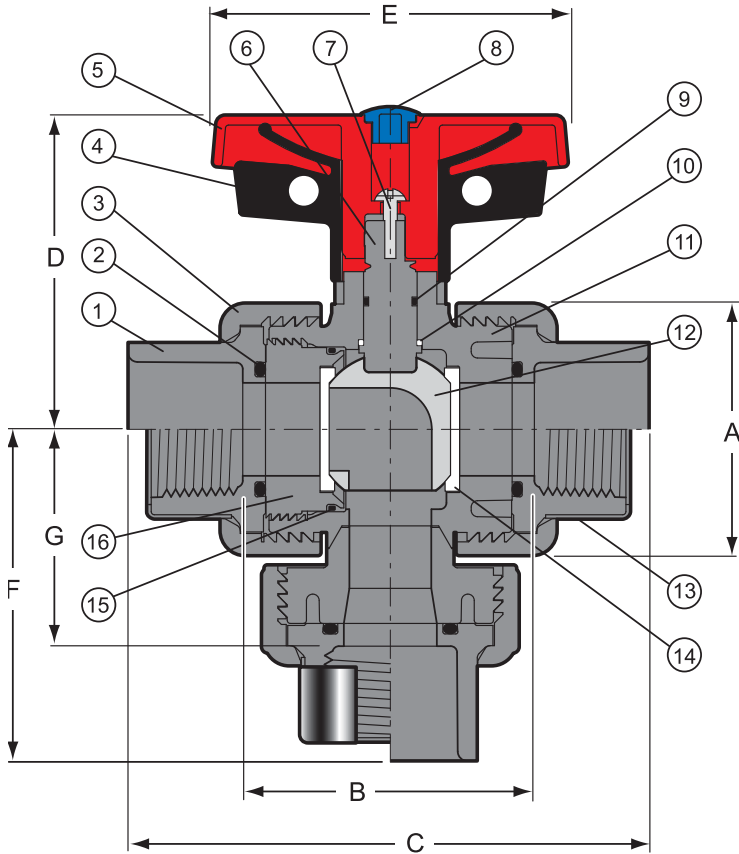
## Sample Engineering Specification

All thermoplastic ball valves shall be True Union 2000 3-Way [specify horizontal or vertical] type with [specify port option] manufactured to ASTM F 1970 and constructed from PVC Type I, ASTM D 1784 Cell Classification 12454, or CPVC Type IV, ASTM D 1784 Cell Classification 23447. All O-rings shall be EPDM or FKM. All valves shall have Safe-T-Shear® stem with double O-ring stem seals. All valve handles shall be polypropylene with built-in lockout mechanism. All valve union nuts shall have Buttress threads. All seal carriers shall be Safe-T-Blocked®. All valve components shall be replaceable. All EPDM valves shall be certified by NSF® International for use in potable water service. All PVC and CPVC 1/2" through 2" valves shall be pressure rated to 235 psi, all 2-1/2" through 4" and all flanged valves shall be pressure rated to 150 psi for water at 73°F as manufactured by Spears® Manufacturing Company.

**NOT FOR DISTRIBUTION OF COMPRESSED AIR OR GASES**



# TRUE UNION 2000 INDUSTRIAL 3-WAY BALL VALVES



## Replacement Parts

No.	Component	Qty.	Material
1	End Connector	3	PVC/CPVC
2	End Connector O-ring	3	EPDM/FKM
3	Union Nut	3	PVC/CPVC
4	Handle Lock	1	PP
5	Handle	1	PP
6	Stem	1	PVC/CPVC
7	Screw	1	Stainless Steel
8	Handle Cover	1	PP
9	Stem O-ring	2	EPDM/FKM
10	Stem Bearing*	1	PTFE
11	Body	1	PVC/CPVC
12	Ball	1	PVC/CPVC
13	End Connector Collar	3	Stainless Steel
14	Seat	2	PTFE
15	Carrier O-ring	1	EPDM/FKM
16	Seal Carrier	1	PVC/CPVC

Note: Applies to both Vertical and Horizontal configurations.  
\* For sizes 2-1/2, 3 & 4 only.

**NOTE:** Diverter style valve has no shutoff on branch.

## Vertical 3-Way Ball Valves — Dimensions & Operating Torque

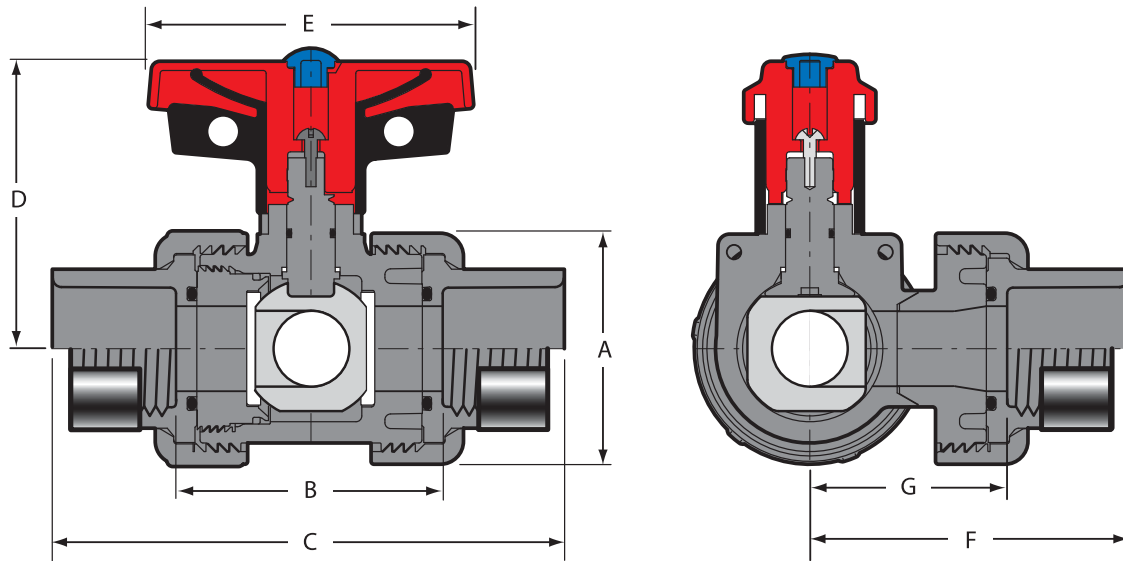
Nominal Size	Vertical 3-Way Ball Valve													Oper. <sup>2</sup> Torque (in. lbs.)
	A	B <sup>1</sup>		C			D	E	F			G		
		Soc/SR Thd	Spigot	Socket	SR Thd	Spigot			Socket	SR Thread	Spigot	Soc/SR Thd	Spigot	
1/2	1-7/8	2-7/16	2-15/16	4-1/4	3-27/32	4-3/4	2-9/16	2-13/16	2-3/4	2-9/16	2-13/16	1-11/16	2	12
3/4	2-1/4	2-3/4	3-5/16	4-3/4	4-1/4	5-3/8	2-7/8	3-5/16	3	2-3/4	3-5/16	2	2-5/16	12
1	2-1/2	2-7/8	3-1/2	5-1/8	4-11/16	5-3/4	3-1/8	3-7/16	3-1/4	3	3-9/16	2-1/8	2-7/16	20
1-1/4	3-1/16	3-1/4	3-13/16	5-3/4	5-3/16	6-5/16	3-5/8	3-13/16	3-3/4	3-3/8	4-1/16	2-3/8	2-13/16	25
1-1/2	3-1/2	3-1/2	4	6-1/4	5-7/16	6-3/4	4	4-3/16	4-3/16	3-13/16	4-1/2	2-3/16	3-1/8	40
2	4-1/4	4-3/4	5-3/16	7-3/4	6-3/4	8-1/4	4-1/2	5-1/8	5	4-1/2	5-5/16	3-1/2	3-3/4	67
2-1/2	5-3/8	5-7/8	7-13/16	9-5/16	8-1/2	11-3/8	5-1/8	6-1/4	5-7/8	5-1/2	6-7/16	4-1/8	5-5/16	120
3	6-3/16	6-7/8	7-13/16	10-11/16	9-3/4	11-9/16	5-7/8	7-5/8	6-11/16	6-3/16	7-3/16	4-3/4	5-5/16	120
4	7-1/2	7-1/4	8-1/4	11-13/16	10-1/4	12-13/16	6-3/4	9-3/16	7-1/8	6-3/4	8-3/4	5-7/8	6-1/2	336

1: Valve Lay Length

2: Torque required at valve maximum internal pressure rating, 5ft/sec. Flow velocity; due to adjustment differences during installation, actual values may vary.

**NOT FOR DISTRIBUTION OF COMPRESSED AIR OR GASES**

# TRUE UNION 2000 INDUSTRIAL 3-WAY BALL VALVES



**NOTE:** Diverter style valve has no shutoff on branch

## Horizontal Diverter 3-Way Ball Valves Dimensions & Operating Torque

Nominal Size	A	B <sup>1</sup>		C			D	E	F			G		Oper. <sup>2</sup> Torque (in. lbs.)
		Soc/SR Thread	Spigot	Socket	SR Thread	Spigot			Socket	SR Thread	Spigot	Soc/SR Thread	Spigot	
1/2	1-3/16	2-7/16	2-15/16	4-3/16	3-13/16	4-3/4	2-9/16	2-13/16	2-9/16	2-3/8	2-13/16	1-11/16	2	12
3/4	2-1/4	2-3/4	3-15/16	4-3/4	4-1/4	5-3/8	2-7/8	3-5/16	3	2-3/4	3-5/16	2	2-5/16	12
1	2-1/2	2-7/8	3-1/2	5-1/8	4-11/16	5-3/4	3-1/8	3-7/16	3-1/4	3	3-9/16	2-1/8	2-7/16	20
1-1/4	3-1/16	3-1/4	3-13/16	5-3/4	5-3/16	6-5/16	3-5/8	3-13/16	3-3/4	3-3/8	4-1/16	2-3/8	2-13/16	25
1-1/2	3-1/2	3-1/2	4	6-1/4	5-7/16	6-3/4	4	4-3/16	4-3/16	3-13/16	4-1/2	2-3/16	3-1/8	40
2	4-1/4	4-3/4	5-3/16	7-3/4	6-3/4	8-1/4	4-1/2	5-1/8	5	4-1/2	5-5/16	3-1/2	3-3/4	67
2-1/2	5-3/8	5-7/8	7-13/16	9-5/16	8-1/2	11-3/8	5-1/8	6-1/4	5-7/8	5-1/2	6-7/16	4-1/8	5-5/16	120
3	6-3/16	6-7/8	7-13/16	10-11/16	9-3/4	11-9/16	5-7/8	7-5/8	6-11/16	6-3/16	7-3/16	4-3/4	5-5/16	120
4	7-1/2	7-1/4	8-1/4	11-13/16	10-1/4	12-13/16	6-3/4	9-3/16	7-1/8	6-3/4	8-3/4	5-7/8	6-1/2	336

1: Valve Lay Length

2: Torque required at valve maximum internal pressure rating, 5ft/sec. Flow velocity; due to adjustment differences during installation, actual values may vary.

## Temperature Pressure Rating

System Operating Temperature °F (°C)		100 (38)	110 (43)	120 (49)	130 (54)	140 (60)	150 (66)	160 (71)	170 (77)	180 (82)	190 (88)	200 (93)	210 (99)	
Valve Pressure Rating psi (MPa)	1/2" - 2"	PVC	235 (1.62)	211 (1.45)	150 (1.03)	75 (.52)	50 (.34)	-0- (-0-)	-0- (-0-)	-0- (-0-)	-0- (-0-)	-0- (-0-)	-0- (-0-)	
		CPVC	235 (1.62)	219 (1.51)	170 (1.17)	145 (1.00)	130 (.90)	110 (.76)	90 (.62)	80 (.55)	70 (.48)	60 (.41)	50 (.34)	-0- (-0-)
	2-1/2" - 4"	PVC	150 (1.03)	135 (.93)	110 (.76)	75 (.52)	50 (.34)	-0- (-0-)	-0- (-0-)	-0- (-0-)	-0- (-0-)	-0- (-0-)	-0- (-0-)	-0- (-0-)
		CPVC	150 (1.03)	140 (.97)	130 (.90)	120 (.83)	110 (.76)	100 (.70)	90 (.62)	80 (.55)	70 (.48)	60 (.41)	50 (.34)	-0- (-0-)

**NOTE:** Flanged Valves have a base pressure rating of 150 psi.

**NOT FOR DISTRIBUTION OF COMPRESSED AIR OR GASES**



## TRUE UNION 2000 INDUSTRIAL TEE-STYLE BALL VALVES



Tee x Socket

### Features – PVC, CPVC

Spears® True Union 2000 Industrial Tee-Style Ball Valve design integrates valve and Tee-fitting for direct branch take-off laterals. The “Tee-Valve” provides a stronger, more compact connection by eliminating the need for a reducer, additional length of pipe, and one of the end connections on the ball valve. Close proximity of valve to mainline emulates a “zero dead-leg” design to minimize any areas of fluid stagnation. Custom produced to specified Tee and Valve connection sizes. Also available in metric sizes.

- Chemical & Corrosion Resistant PVC, CPVC or Low Extractable PVC materials
- Multi-featured Industrial Grade
- Built-in Handle Lockout
- Fully Serviceable, Replaceable Components
- Seal Carrier Adjustment Tool included
- ISO Pattern Actuation Mounting Option
- Spears® Dual O-ring Safe-T-Shear® Stem
- Self Adjusting PTFE Floating Seat
- Sizes 1/2" - 2" Pressure Rated to 235 psi @ 73°F
- EPDM Valves NSF® Certified for Potable Water Use

### Sample Engineering Specification

All lateral branch valve connections shall be made using integrated Tee-style ball valve and Tee fitting. Tee-style ball valves shall be True Union 2000 Industrial type manufactured to ASTM F 1970 and constructed from PVC Type I, ASTM D 1784 Cell Classification 12454 or CPVC Type IV, ASTM D 1784 Cell Classification 23447; or Low Extractable PVC, ASTM D 1784 Cell Classification 12343. All O-rings shall be EPDM or FKM. All valves shall have Safe-T-Shear® stem with double O-ring stem seals. All valve handles shall be polypropylene with built-in lockout. All valve union nuts shall have Buttress threads. All seal carriers shall be Safe-T-Blocked®. All valve components shall be replaceable. Mainline Tee fittings shall be Schedule 80 manufactured in accordance with ASTM D 2467 for PVC or F 439 for CPVC. All EPDM valves shall be certified by NSF® International for use in potable water service. All 1/2" through 2" valves shall be pressure rated to 235 psi for water at 73°F, as manufactured by Spears® Manufacturing Company.

# TRUE UNION 2000 INDUSTRIAL TEE-STYLE BALL VALVES



## Quick-View Valve Selection Chart

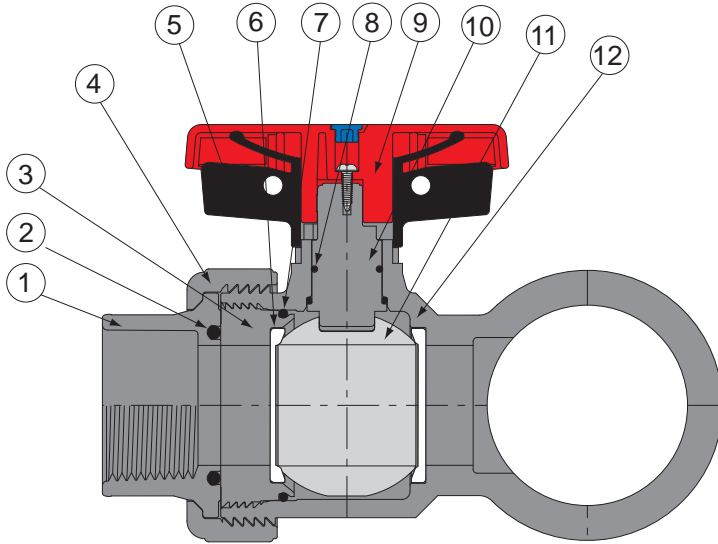
T-Valves can be custom produced in any standard Tee and Valve size combination

Size (Tee x Valve Outlet)	PVC		CPVC	
	EPDM	FKM	EPDM	FKM
1/2	182901-005	183901-005	182901-005C	183901-005C
3/4	182901-007	183901-007	182901-007C	183901-007C
1	182901-010	183901-010	182901-010C	183901-010C
1-1/4	182901-012	183901-012	182901-012C	182901-012C
1-1/2	182901-015	183901-015	182901-015C	183901-015C
2	182901-020	183901-020	182901-020C	183901-020C
3/4x1/2	182901-101	183901-101	182901-101C	183901-101C
1x1/2	182901-130	183901-130	182901-130C	183901-130C
1x3/4	182901-131	183901-131	182901-131C	183901-131C
1-1/4x1/2	182901-166	183901-166	182901-166C	182901-166C
1-1/4x3/4	182901-167	183901-167	182901-167C	183901-167C
1-1/4x1	182901-168	183901-168	182901-168C	183901-168C
1-1/2x1/2	182901-209	183901-209	182901-209C	183901-209C
1-1/2x3/4	182901-210	183901-210	182901-210C	183901-210C
1-1/2x1	182901-211	183901-211	182901-211C	183901-211C
2x1/2	182901-247	183901-247	182901-247C	183901-247C
2x3/4	182901-248	183901-248	182901-248C	183901-248C
2x1	182901-249	183901-249	182901-249C	183901-249C
2x1-1/2	182901-251	183901-251	182901-251C	183901-251C
3x1/2	182901-333	183901-333	182901-333C	183901-333C
3x1	182901-335	183901-335	182901-335C	183901-335C
3x1-1/2	182901-337	183901-337	182901-337C	183901-337C
3x2	182901-338	183901-338	182901-338C	183901-338C
4x1	182901-417	183901-417	182901-417C	183901-417C
4x1-1/2	182901-419	183901-419	182901-419C	183901-419C
4x2	182901-420	183901-420	182901-420C	183901-420C
6x2	182901-528	183901-528	182901-528C	183901-528C
8x2	182901-578	183901-578	182901-578C	183901-578C

**Additional Notes:** For Low Extractable PVC valves, add the letters BL to the part number (e.g. 182901-005BL)  
 Valve assembly includes debris plug in valve socket end (to be removed on installation) and cable-tie affixed spare end connector.



# TRUE UNION 2000 INDUSTRIAL TEE-STYLE BALL VALVES



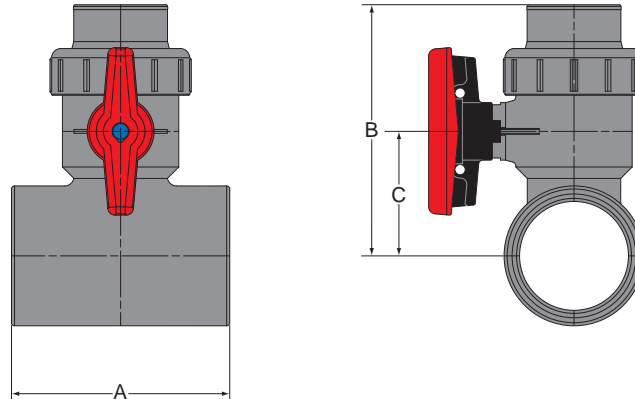
## Replacement Parts

No.	Component	Qty.	Material
1	End Connector	1	PVC/CPVC
2	End Connector O-ring	1	EPDM/FKM
3	Seal Carrier	1	PVC/CPVC
4	Union Nut	3	PVC/CPVC
5	Handle Lock	1	PP
6	Seat	2	PTFE
7	Carrier O-ring	1	EPDM/FKM
8	Stem O-ring	2	EPDM/FKM
9	Handle	1	PP
10	Stem	1	PVC/CPVC
11	Ball	1	PVC/CPVC
12	Body	1	PVC/CPVC

## Temperature Pressure Rating

System Operating Temperature °F (°C)		100 (38)	110 (43)	120 (49)	130 (54)	140 (60)	150 (66)	160 (71)	170 (77)	180 (82)	190 (88)	200 (93)	210 (99)
Valve Pressure Rating psi (MPa)	1/2" - 2"	PVC	235 (1.62)	211 (1.45)	150 (1.03)	75 (.52)	50 (.34)	-0- (-0-)	-0- (-0-)	-0- (-0-)	-0- (-0-)	-0- (-0-)	-0- (-0-)
		CPVC	235 (1.62)	219 (1.51)	170 (1.17)	145 (1.00)	130 (.90)	110 (.76)	90 (.62)	80 (.55)	70 (.48)	60 (.41)	50 (.34)

# TRUE UNION 2000 INDUSTRIAL TEE-STYLE BALL VALVES



## Dimensions, Operating Torque & Cv Values

Nominal Size	Dimensions Reference (inches, ± 1/16)			C	Approx. Wt. (Lbs.)		Oper. <sup>1</sup> Torque (in. lbs.)	Cv <sup>2</sup> (Value only)
	A	B			PVC	CPVC		
		Socket	Threaded					
1/2	2-5/16	3-3/4	3-9/16	1-5/8	.48	.52	16	29
3/4	3-7/16	4-1/4	4	1-7/8	.70	.77	17	63
1	4	4-11/16	4-7/16	2-1/16	1.10	1.15	22	120
1-1/4	4-1/4	5-5/16	5	2-7/16	1.64	1.73	28	243
1-1/2	5-1/8	6-1/8	5-11/16	3	2.26	2.37	61	357
2	5-7/8	7-5/16	6-13/16	3-7/16	3.72	3.82	77	599
3/4x1/2	3-3/16	3-7/8	3-11/16	1-3/4	.51	.54	16	29
1x1/2	3-7/16	4	3-13/16	1-7/8	.58	.61	16	29
1x3/4	3-11/16	4-3/8	4-1/2	2	.78	.80	17	63
1-1/4x1/2	4-1/4	4	3-13/16	1-7/8	.77	.80	16	29
1-1/4x3/4	4-1/4	4-1/4	4	1-7/8	.90	.94	17	63
1-1/4x1	4-1/4	4-13/16	4-5/8	2-3/16	1.78	1.96	22	120
1-1/2x1/2	4-3/8	4-1/4	4-1/16	2-1/8	.86	.89	16	29
1-1/2x3/4	4-1/8	4-5/8	4-3/8	2-3/16	.91	.94	16	63
1-1/2x1	4-1/2	5	4-13/16	2-3/8	1.37	1.51	16	120
2x1/2	4-3/16	4-9/16	4-3/8	2-7/16	1.06	1.17	16	29
2x3/4	4-3/8	4-15/16	4-11/16	2-9/16	1.23	1.28	17	63
2x1	4-3/4	5-1/4	5-1/16	2-5/8	1.38	1.45	22	120
2x1-1/2	5-7/8	6-1/16	5-7/8	2-15/16	2.33	2.63	61	29
3x1/2	5-1/2	5-1/8	4-15/16	3	1.60	1.66	16	29
3x1	5-1/2	5-7/8	5-11/16	3-1/4	2.19	2.25	22	120
3x1-1/2	7-1/4	6-9/16	6-3/8	3-7/16	3.66	3.87	61	357
3x2	6-11/16	7-11/16	7-3/16	3-13/16	4.61	4.86	77	599
4x1	7-7/16	6-5/16	6-1/8	3-11/16	3.25	3.52	22	120
4x1-1/2	7-3/8	7-5/16	7-1/8	4-3/16	4.01	4.37	61	357
4x2	7-3/4	8-5/16	7-3/4	4-7/16	5.20	5.68	77	599
6x2	10-3/16	9-5/8	9-1/8	5-3/4	9.26	11.68	77	599
8x2	15-5/8	12-5/8	12-1/8	8-3/4	17.42	18.70	77	599

1: Torque required at valve maximum internal pressure rating, 5ft/sec. Flow velocity; due to adjustment differences during installation, actual valves may vary.  
 2: Gallons per minute at 1 psi pressure drop. Valves calculated from laying length, based on derivative of Hazen-Williams equation with surface roughness factor of C=150.  
 Cv values are for basic Ball Valve only, excluding Tee end connection.



# TRUE UNION 2000 INDUSTRIAL BALL CHECK VALVES



## Features – PVC, CPVC

Flow tested design provides quick response with positive seal for prevention of system back flow in industrial and chemical processing applications. Valves are available in IPS sizes 1/2" through 6" with socket/regular thread, SR threaded (Special Reinforced), flanged or spigot end connectors and 8" venturied valve with socket or flanged ends. Also available in metric socket and BSP thread sizes 1/2" through 2".

## Sample Engineering Specification

All thermoplastic check valves shall be True Union 2000 Industrial Ball Check type manufactured to ASTM F 1970 and constructed from PVC Type I, ASTM D 1784, Cell Classification 12454 or CPVC Type IV, ASTM D 1784 Cell Classification 23447. All O-rings shall be EPDM or FKM. All valve union nuts shall have Buttress threads. All valve seats shall be a standard O-ring type. All seal carriers shall be Safe-T-Blocked®. All valve components shall be replaceable. All EPDM valves shall be listed by NSF® for use in potable water service. All PVC and CPVC 1/2" through 4" valves shall be pressure rated to 235 psi, all 6" and 8" Venturied and all flanged valves shall be pressure rated to 150 psi for water at 73°F as manufactured by Spears® Manufacturing Company.

- Chemical & Corrosion Resistant PVC or CPVC Construction
- Also Available in Spears® High Purity, Low Extractable PVC Material
- Strong, Buttress Thread Union Nuts
- Spears® Safe-T-Blocked® Seal Carrier
- Uses Standard O-ring Seat
- EPDM or FKM O-rings
- Fully Serviceable, Replaceable Components
- Sizes 1/2" - 4" Pressure Rated to 235 psi @ 73°F, Sizes 6" and 8" Venturied and all Flanged Pressure Rated to 150 psi @ 73°F
- Suitable for Either Horizontal or Vertical Installations
- EPDM valves NSF® Certified for Potable Water use
- Suitable for Vacuum Service
- Assembled with Silicone-Free, Water Soluble Lubricants

## Quick-View Valve Selection Chart

Valve Size	O-ring Material	PVC Part Number <sup>1</sup>					Pressure Rating	
		Socket	Threaded	SR Threaded	Flanged	Spigot		
1/2	EPDM	4529-005	included	4521-005SR	4523-005	4527-005	235 psi Non-Shock Water @ 73°F	
	FKM	4539-005	included	4531-005SR	4533-005	4537-005		
3/4	EPDM	4529-007	included	4521-007SR	4523-007	4527-007		
	FKM	4539-007	included	4531-007SR	4533-007	4537-007		
1	EPDM	4529-010	included	4521-010SR	4523-010	4527-010		
	FKM	4539-010	included	4531-010SR	4533-010	4537-010		
1-1/4	EPDM	4529-012	included	4521-012SR	4523-012	4527-012		
	FKM	4539-012	included	4531-012SR	4533-012	4537-012		
1-1/2	EPDM	4529-015	included	4521-015SR	4523-015	4527-015		(Flanged 150 psi Non-Shock) Water @ 73°F
	FKM	4539-015	included	4531-015SR	4533-015	4537-015		
2	EPDM	4529-020	included	4521-020SR	4523-020	4527-020		
	FKM	4539-020	included	4531-020SR	4533-020	4537-020		
2-1/2	EPDM	4522-025	4521-025	4521-025SR	4523-025	4527-025		
	FKM	4532-025	4531-025	4531-025SR	4533-025	4537-025		
3	EPDM	4522-030	4521-030	4521-030SR	4523-030	4527-030		
	FKM	4532-030	4531-030	4531-030SR	4533-030	4537-030		
4	EPDM	4522-040	4521-040	4521-040SR	4523-040	4527-040		
	FKM	4532-040	4531-040	4531-040SR	4533-040	4537-040		
6	EPDM	4522-060	4521-060	4521-060SR	4523-060	4527-060	150 psi Non-Shock Water @ 73°F	
	FKM	4532-060	4531-060	4531-060SR	4533-060	4537-060		
8 <sup>2</sup>	EPDM	4522-080	—	—	4523-080	—		
	FKM	4532-080	—	—	4533-080	—		

1: For CPVC valve, add the letter "C" to the part number (e.g., 4529-005C, 4521-005CSR)  
2: 8" Venturied Valves are 6" ball valves fitted with 6x8 end connector adapters

## Optional Accessories\*

- Retro-Fit End Connector Sets for Valve Replacement
- Split-Nut Repair Kits for Union Nut Replacement
- Supplemental End Connectors

\* See "BALL VALVE ACCESSORIES" section for details of individual products.

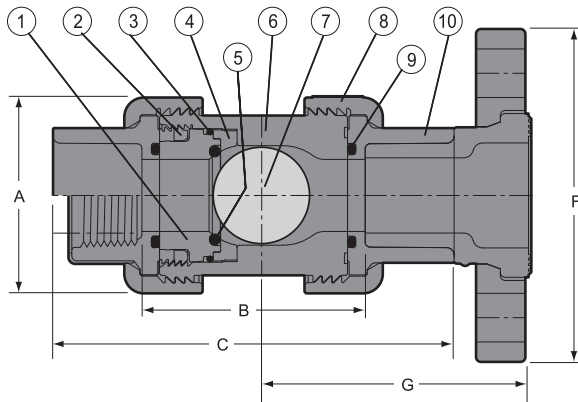
## Ball Check Foot Valves



Spears® Ball Check Valves easily convert to foot valves utilizing optional Foot Valve Screen adapters found in Ball Valve Accessories section.



# TRUE UNION 2000 INDUSTRIAL BALL CHECK VALVES



## Replacement Parts

No.	Component	Qty.	Material
1	Seal Carrier	1	PVC/CPVC
2	Seal Carrier Nut	1	PVC/CPVC
3	Carrier O-ring	1	EPDM/FKM
4	Seat Plate	1	PVC/CPVC
5	Seat O-ring	1	EPDM/FKM
6	Body	1	PVC/CPVC
7	Ball	1	PVC/CPVC
8	Union Nut	2	PVC/CPVC
9	End Connector O-ring	2	EPDM/FKM
10	End Connector	2	PVC/CPVC

## Dimensions, Weights, & Cv Values

Nominal Size	Dimensions Reference (inches, ± 1/16)							Approx. Wt. (Lbs.)		Cv Values			Horizontal Closing		
	A	B <sup>1</sup>		C			F	G	PVC	CPVC	Soc/Thd	Flange	Spigot	Feet of Head (water)	GPM (minimum)
		Soc/Thd	Spigot	Socket	Thread	Spigot									
1/2	1-7/8	2-7/16	2-7/8	4-3/16	3-13/16	4-5/8	3-1/2	2-31/32	.30	.33	6.3	6	6.3	1.6	.10
3/4	2-1/4	2-3/4	3-1/4	4-3/4	4-1/4	5-1/4	3-7/8	3-5/16	.46	.50	17	16	17	1.6	.10
1	2-1/2	2-7/8	3-1/2	5-1/8	4-11/16	5-3/4	4-1/4	3-5/8	.70	.74	25	24	25	1.6	.25
1-1/4	3-1/16	3-1/4	3-3/16	5-3/4	5-3/16	6-5/16	4-5/8	3-31/32	1.04	1.09	65	61	65	1.6	.40
1-1/2	3-1/2	3-1/2	4	6-1/4	5-7/16	6-3/4	5	4-3/8	1.37	1.45	86	82	86	1.6	.75
2	4-5/16	4-25/32	5-3/16	7-3/4	7-27/32	8-1/4	6	5-1/4	2.47	2.62	130	125	130	1.6	.75
2-1/2	6-3/16	5-7/8	7-13/16	9-5/16	8-1/2	11-3/8	7-1/2	6	6.80	7.25	200	193	200	1.0	1.50
3	6-3/16	6-7/8	7-13/16	10-11/16	9-3/4	11-9/16	7-1/2	6-13/16	6.98	7.35	275	268	275	1.0	4.00
4	7-3/4	7-5/16	8-1/4	11-13/16	10-1/4	12-3/4	9	7-1/2	12.13	12.96	500	489	500	1.0	5.50
6	11-5/8	11-1/6	13	17-1/16	15-3/4	18-1/2	11-1/4	10-3/16	37.07	39.98	800	794	800	N/A	N/A
8 <sup>3</sup>	11-5/8	23-3/16	---	31-7/8	---	---	13-1/2	17-13/16	50.84	55.92	N/A	N/A	N/A	N/A	N/A

1: Valve Lay Length

2: Gallons per minute at 1 psi pressure drop. Valves calculated from laying length, based on derivative of Hazen-Williams equation with surface roughness factor of C=150.

3: 8" Venturied Valves are 6" ball valves fitted with 6x8 end connector adapters

## Temperature Pressure Rating

System Operating Temperature °F (°C)		100 (38)	110 (43)	120 (49)	130 (54)	140 (60)	150 (66)	160 (71)	170 (77)	180 (82)	190 (88)	200 (93)	210 (99)	
Valve Pressure Rating psi (MPa)	1/2" - 4"	PVC	235 (1.62)	211 (1.45)	150 (1.03)	75 (.52)	50 (.34)	-0- (-0-)	-0- (-0-)	-0- (-0-)	-0- (-0-)	-0- (-0-)	-0- (-0-)	
		CPVC	235 (1.62)	219 (1.51)	170 (1.17)	145 (1.00)	130 (.90)	110 (.76)	90 (.62)	80 (.55)	70 (.48)	60 (.41)	50 (.34)	-0- (-0-)
	6" and 8"	PVC	150 (1.03)	135 (.93)	110 (.76)	75 (.52)	50 (.34)	-0- (-0-)	-0- (-0-)	-0- (-0-)	-0- (-0-)	-0- (-0-)	-0- (-0-)	-0- (-0-)
		CPVC	150 (1.03)	140 (.97)	130 (.90)	120 (.83)	110 (.76)	100 (.70)	90 (.62)	80 (.55)	70 (.48)	60 (.41)	50 (.34)	-0- (-0-)

NOTE: Flanged valves have a base pressure rating of 150 psi

**General Installation Information:** Ball check valves may be installed in either horizontal or vertical position. A minimum of ten (10) pipe diameters distance maintained from any pump or other source of turbulence. Check valves **MUST** be installed with the valves **FLOW** arrow pointing in the direction of flow.

**NOT FOR DISTRIBUTION OF COMPRESSED AIR OR GASES**



# TRUE UNION 2000 STANDARD BALL VALVES



## Sample Engineering Specification

All thermoplastic ball valves shall be True Union 2000 Standard type manufactured to ASTM F 1970 and constructed from PVC Type I, ASTM D 1784 Cell Classification 12454 or CPVC Type IV, ASTM D 1784 Cell Classification 23447. All O-rings shall be EPDM or FKM. All valves shall have Safe-T-Shear® stem with O-ring stem seal. All handles shall be polypropylene. All union nuts shall have Buttress threads. All seal carriers shall be Safe-T-Blocked®. All EPDM valves shall be certified by NSF® International for use with potable water. All 1/2" - 2" valves shall be pressure rated to 235 psi, all 2-1/2" - 4" and all flanged valves to 150 psi for water @ 73°F, as manufactured by Spears® Manufacturing Company.

## Features – PVC, CPVC

Economical, low profile quarter-turn shutoff valve is excellent for general purpose and many O.E.M applications. PVC and CPVC valves are available in IPS sizes 1/2" through 4" with socket, regular thread, SR threaded (Special Reinforced), flanged or spigot end connectors.

- Chemical & Corrosion Resistant PVC or CPVC Construction
- Interchangeable with all True Union 2000 Valves, Mates with Union 2000 Pipe Unions
- High Impact Polypropylene Handle
- Schedule 80 Full-Bore Design
- Strong, Buttress Thread Union Nuts
- Spears® Single O-ring Safe-T-Shear® Stem Design
- Spears® Safe-T-Blocked® Seal Carrier
- Replaceable PTFE/HDPE Floating Seat Design
- EPDM or FKM O-rings
- Sizes 1/2" - 2" pressure rated to 235 psi @ 73°F
- Sizes 2-1/2" - 4" and all flanged pressure rated to 150 psi @ 73°F
- EPDM valves NSF® Certified for Potable Water use
- Suitable for Vacuum Service
- Assembled with Silicone-Free, Water Soluble Lubricants
- Manufactured to ASTM F 1970

## Quick-View Valve Selection Chart

Valve Size	O-ring Material	PVC Part Number <sup>1</sup>					Pressure Rating
		Socket	Threaded	SR Threaded	Flanged	Spigot	
1/2	EPDM	3629-005	included	3621-005SR	3623-005	3627-005	235 psi Non-Shock Water @ 73°F
	FKM	3639-005	included	3631-005SR	3633-005	3637-005	
3/4	EPDM	3629-007	included	3621-007SR	3623-007	3627-007	
	FKM	3639-007	included	3631-007SR	3633-007	3637-007	
1	EPDM	3629-010	included	3621-010SR	3623-010	3627-010	
	FKM	3639-010	included	3631-010SR	3633-010	3637-010	
1-1/4	EPDM	3629-012	included	3621-012SR	3623-012	3627-012	(Flanged 150 psi Non-Shock) Water @ 73°F
	FKM	3639-012	included	3631-012SR	3633-012	3637-012	
1-1/2	EPDM	3629-015	included	3621-015SR	3623-015	3627-015	
	FKM	3639-015	included	3631-015SR	3633-015	3637-015	
2	EPDM	3629-020	included	3621-020SR	3623-020	3627-020	
	FKM	3639-020	included	3631-020SR	3633-020	3637-020	
2-1/2	EPDM	3622-025	3621-025	3621-025SR	3623-025	3627-025	150 psi Non-Shock Water @ 73°F
	FKM	3632-025	3631-025	3631-025SR	3633-025	3637-025	
3	EPDM	3622-030	3621-030	3621-030SR	3623-030	3627-030	
	FKM	3632-030	3631-030	3631-030SR	3633-030	3637-030	
4	EPDM	3622-040	3621-040	3621-040SR	3623-040	3627-040	
	FKM	3632-040	3631-040	3631-040SR	3633-040	3637-040	

<sup>1</sup>: For CPVC valve, add the letter "C" to the part number (e.g., 3629-005C, 3621-005CSR)

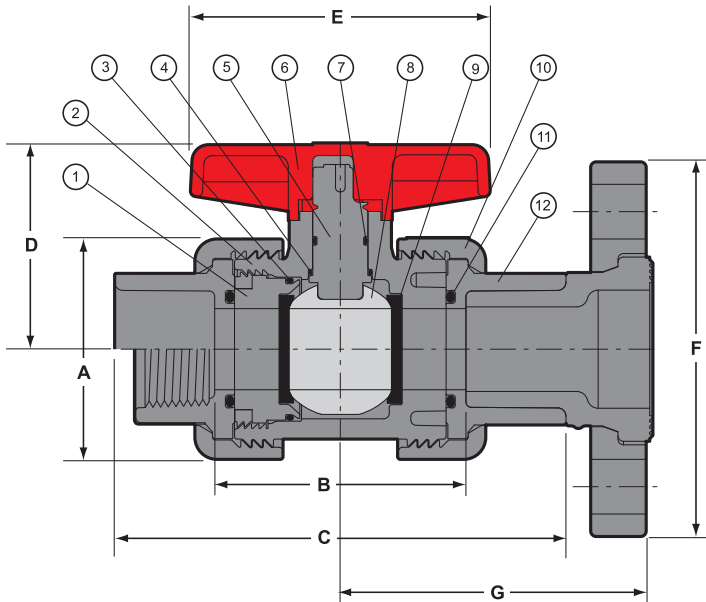
## Optional Accessories\*

- Retro-Fit End Connector Sets for Valve Replacement
- Split-Nut Repair Kits for Union Nut Replacement
- Supplemental End Connectors
- Round Safety Handles
- Stem Extension Kits
- Square Operator Nuts
- Multi Mount Valve/ Actuation Mounting Kits
- Mini-Mount Actuation Mounting Kits

\* See "BALL VALVE ACCESSORIES" section for details of individual products.

**NOT FOR DISTRIBUTION OF COMPRESSED AIR OR GASES**

# TRUE UNION 2000 STANDARD BALL VALVES



## Replacement Parts

No.	Component	Qty.	Material
1	Seal Carrier	1	PVC/CPVC
2	Body	1	PVC/CPVC
3	Carrier O-ring	1	EPDM/FKM
4	Stem Bearing 1,2	1	PP
5	Stem	1	PVC/CPVC
6	Handle	1	PP
7	Stem O-ring	1	EPDM/FKM
8	Ball	1	PVC/CPVC
9	Seat	2	PTFE/HDPE
10	Union Nut	2	PVC/CPVC
11	End Connector O-ring	2	EPDM/FKM
12	End Connector	2	PVC/CPVC

1: O-Ring up to 2"

2: PTFE Thrust Bearing: 2-1/2", 3" & 4"

## Dimensions, Weights, Operating Torque & Cv Values

Nominal Size	A	B <sup>1</sup>		C			D	E	F	G	Approx. Wt. (Lbs.)		Oper. <sup>2</sup> Torque (in. lbs.)	Cv Values <sup>3</sup>	
		Soc/Thd	Spigot	Socket	Thread	Spigot					PVC	CPVC		Soc/Thd/Spig	Flanged
		1/2	1-7/8	2-7/16	2-7/8	4-3/16					3-13/16	4-5/8		1-5/8	2-1/2
3/4	2-1/4	2-3/4	3-1/4	4-3/4	4-1/4	5-1/4	2	3	3-7/8	3-5/16	.51	.54	20	63	39
1	2-1/2	2-7/8	3-1/2	5-1/8	4-11/16	5-3/4	2-5/16	3-7/16	4-1/4	3-5/8	.71	.75	25	120	73
1-1/4	3-1/16	3-1/4	3-13/16	5-3/4	5-3/16	6-5/16	2-13/16	3-9/16	4-5/8	3-31/32	1.12	1.17	35	243	151
1-1/2	3-1/2	3-1/2	4	6-1/4	5-7/16	6-3/4	3-1/16	3-7/8	5	4-3/8	1.47	1.53	45	357	223
2	4-1/4	4-3/4	5-13/16	7-3/4	6-3/4	8-1/4	3-3/4	5	6	5-1/4	2.62	2.75	94	599	395
2-1/2	6-3/16	7	7-13/16	10-1/2	8-1/2	11-3/8	5-7/8	7-5/8	7	6	7.42	7.70	120	856	579
3	6-3/16	7	7-13/16	10-11/16	9-3/4	11-9/16	5-7/8	7-5/8	7-1/2	6-13/16	7.46	7.81	120	1416	974
4	7-5/8	7-1/2	8-1/4	12-1/16	10-1/4	12-3/4	6-3/4	6-3/4	9-1/16	7-1/2	12.35	12.48	336	2865	1952

1: Valve Lay Length

2: Torque required at valve maximum internal pressure rating, 5ft/sec. Flow velocity; due to adjustment differences during installation, actual valves may vary.

3: Gallons per minute at 1 psi pressure drop. Valves calculated from laying length, based on derivative of Hazen-Williams equation with surface roughness factor of C=150.

## Temperature Pressure Rating

System Operating Temperature °F (°C)		100 (38)	110 (43)	120 (49)	130 (54)	140 (60)	150 (66)	160 (71)	170 (77)	180 (82)	190 (88)	200 (93)	210 (99)	
Valve Pressure Rating psi (MPa)	1/2" - 2"	PVC	235 (1.62)	211 (1.45)	150 (1.03)	75 (.52)	50 (.34)	-0- (-0-)	-0- (-0-)	-0- (-0-)	-0- (-0-)	-0- (-0-)	-0- (-0-)	
		CPVC	235 (1.62)	219 (1.51)	170 (1.17)	145 (1.00)	130 (.90)	110 (.76)	90 (.62)	80 (.55)	70 (.48)	60 (.41)	50 (.34)	-0- (-0-)
	2-1/2" - 4"	PVC	150 (1.03)	135 (.93)	110 (.76)	75 (.52)	50 (.34)	-0- (-0-)	-0- (-0-)	-0- (-0-)	-0- (-0-)	-0- (-0-)	-0- (-0-)	-0- (-0-)
		CPVC	150 (1.03)	140 (.97)	130 (.90)	120 (.83)	110 (.76)	100 (.70)	90 (.62)	80 (.55)	70 (.48)	60 (.41)	50 (.34)	-0- (-0-)

**NOT FOR DISTRIBUTION OF COMPRESSED AIR OR GASES**



# TRUE UNION BALL VALVES (REGULAR STYLE)



## Sample Engineering Specification

All thermoplastic ball valves shall be True Union type constructed from PVC Type I, ASTM D 1784 Cell Classification 12454 or CPVC Type IV, ASTM D 1784 Cell Classification 23447. All O-rings shall be EPDM or FKM. All valves shall have Safe-T-Shear<sup>®</sup> stem and double stop Polypropylene handle. All valve union nuts shall have Buttress threads. All seal carriers shall be Safe-T-Blocked<sup>®</sup>. All valve components shall be replaceable. All EPDM valves shall be certified by NSF<sup>®</sup> International for use in potable water service. All 1/2" - 2" valves shall be pressure rated at 235 psi and all 2-1/2" - 6" and all flanged valves shall be pressure rated at 150 psi for water at 73°F, as manufactured by Spears<sup>®</sup> Manufacturing Company.

## Features – PVC, CPVC

This versatile, quarter-turn shutoff valve is well suited for industrial and chemical processing applications. Available in IPS Sizes 1/2" - 4" with socket, threaded or flanged end connectors. 6" Venturied valve (4" valve with 4 x 6 adapter) available with either socket or flanged end connection. Also available with metric 20mm - 110mm or 1/2" - 4" BSP threaded end connectors.

- Chemical & Corrosion Resistant PVC or CPVC Construction
- Schedule 80 Full-Bore Design
- Strong, Buttress Thread Union Nuts
- Fully Serviceable, Replaceable Components
- Spears<sup>®</sup> Safe-T-Blocked<sup>®</sup> Seal Carrier
- Self Adjusting PTFE Floating Seat Design
- EPDM or FKM O-rings
- High Impact Polypropylene Handle
- Spears<sup>®</sup> Safe-T-Shear<sup>®</sup> Stem Design
- Sizes 1/2" - 2" Pressure Rated to 235 psi @ 73°F, Sizes 2-1/2" - 6" and all flanged Pressure Rated to 150 psi @ 73°F
- EPDM valves NSF<sup>®</sup> Certified for Potable Water use
- Suitable for Vacuum Service
- Assembled with Silicone-Free, Water Soluble Lubricants
- Manufactured to ASTM F 1970

## Quick-View Valve Selection Chart

Valve Size	O-ring Material	PVC Part Number <sup>1</sup>			Pressure Rating
		Threaded	Socket	Flanged	
1/2	EPDM	2329-005	included	2323-005	235 psi Non-Shock Water @ 73°F
	FKM	2339-005	included	2333-005	
3/4	EPDM	2329-007	included	2323-007	
	FKM	2339-007	included	2333-007	
1	EPDM	2329-010	included	2323-010	
	FKM	2339-010	included	2333-010	
1-1/4	EPDM	2329-012	included	2323-012	(Flanged 150 psi Non-Shock) Water @ 73°F
	FKM	2339-012	included	2333-012	
1-1/2	EPDM	2329-015	included	2323-015	
	FKM	2339-015	included	2333-015	
2	EPDM	2329-020	included	2323-020	
	FKM	2339-020	included	2333-020	
2-1/2	EPDM	2321-025	2322-025	2323-025	150 psi Non-Shock Water @ 73°F
	FKM	2331-025	2332-025	2333-025	
3	EPDM	2321-030	2322-030	2323-030	
	FKM	2331-030	2332-030	2333-030	
4	EPDM	2321-040	2322-040	2323-040	
	FKM	2331-040	2332-040	2333-040	
6 <sup>2</sup> venturied	EPDM	---	2322-060	2323-060	
	FKM	---	2332-060	2333-060	

## Optional Accessories\*

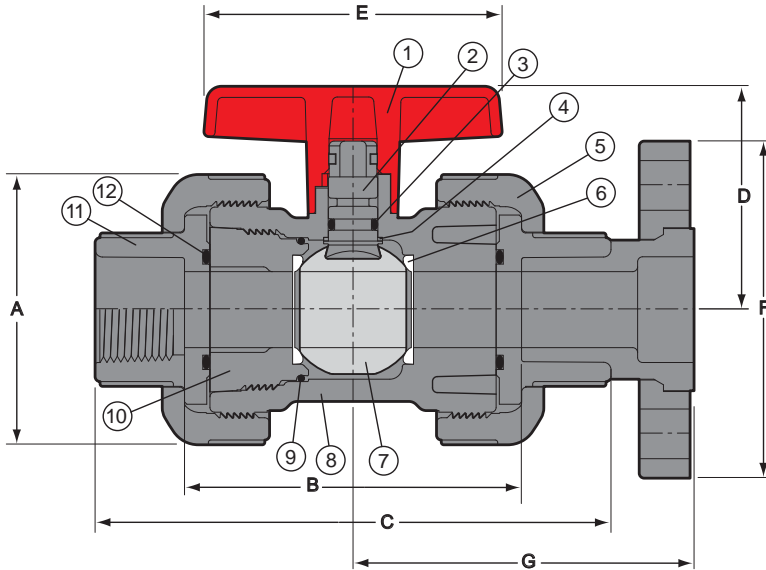
- Round Safety Handle
- Stem Extension Kit
- 2" Square / T-Style Operator Nut

\* See "BALL VALVE ACCESSORIES" section for details of individual products.

1: For CPVC valves, add the letter "C" to part numbers listed (e.g., 2339-005C).

2: Consists of 4" True Union Ball Valve with two 4" x 6" Adapters.

# TRUE UNION BALL VALVES (REGULAR STYLE)



## Replacement Parts

No.	Component	Qty.	Material
1	Handle	1	PP
2	Stem	1	PVC/CPVC
3	Stem O-ring	1	EPDM/FKM
4	Stem Bearing*	1	PP
5	Union Nut	2	PVC/CPVC
6	Seat**	2	PTFE
7	Ball	1	PVC/CPVC
8	Body	1	PVC/CPVC
9	Carrier O-ring	1	EPDM/FKM
10	Seal Carrier	1	PVC/CPVC
11	End Connector	2	PVC/CPVC
12	End Connector O-ring	2	EPDM/FKM

\* Sizes 1-1/4" and larger.

\*\* Seat O-ring (not shown) on sizes 2-1/2" and larger.

## Dimensions, Weights, Operating Torque & Cv Values

Nominal Size	Dimension Reference (inches, ± 1/16)							Approx. Wt. (Lbs.)				Oper. <sup>2</sup> Torque (in.-lb.)	C <sub>v</sub> <sup>4</sup> Values	
	A	B <sup>1</sup>	C	D	E	F	G	PVC		CPVC			Soc/Thd	Flanged
								Soc/Thd	Flanged	Soc/Thd	Flanged			
1/2	2-9/16	3-7/16	5-3/16	2-13/32	2-23/32	3-1/2	3-15/32	1.05	1.23	.95	1.14	20	25	18
3/4	3-1/32	4-1/16	6-3/16	2-5/8	3-3/16	3-7/8	4	1.44	1.64	1.50	1.73	30	51	36
1	3-13/32	4-5/16	6-9/16	2-13/16	3-23/32	4-1/4	4-5/16	1.91	2.22	2.08	2.43	40	97	67
1-1/4	3-11/16	4-1/2	7-1/16	2-31/32	4-1/8	4-5/8	4-19/32	2.38	2.78	2.52	2.91	60	204	142
1-1/2	4-3/8	5-5/16	8-1/32	3-9/32	4-15/32	5	5-9/32	3.63	4.00	3.82	4.26	80	285	201
2	5-3/16	5-13/16	8-13/16	4-13/32	5-1/4	6	5-23/32	5.40	6.14	5.70	6.54	90	540	381
2-1/2	7-7/16	8-3/8	11-7/8	4-29/32	9-7/8	7	7-3/16	12.87	14.26	13.44	15.85	300	712	512
3	7-7/16	8-3/16	11-15/16	4-29/32	9-7/8	7-1/2	7-11/32	13.24	15.67	13.85	16.96	300	1294	925
4	8-15/16	8-11/16	13-3/16	5-19/32	10-13/16	9-1/16	8-5/32	19.58	24.32	20.49	25.83	400	2629	1868
6 Socket <sup>3</sup>	8-15/16	19-5/8	26-1/16	6-3/4	10-13/16	11-1/4	14-11/16	22.66	30.98	26.11	34.78	400	N/A	N/A
6 Flanged <sup>3</sup>	11-3/16	29-3/8	N/A	6-3/4	10-13/16	11-1/4	14-11/16	N/A	N/A	N/A	N/A	400	N/A	N/A

1: Valve Lay Lengths.

2: Torque required at valve maximum internal pressure rating, 5 ft./sec. flow velocity.

3: Consists of 4" True Union Ball Valve with two 4" x 6" Adapters.

4: Gallons per minute at 1 psi pressure drop. Values calculated from valve laying length, based on derivative of Hazen-Williams equation with surface roughness factor of C=150.

C<sub>v</sub> Valves for 6" venturied flange and socket valves are not available.

## Temperature Pressure Rating

System Operating Temperature °F (°C)		100 (38)	110 (43)	120 (49)	130 (54)	140 (60)	150 (66)	160 (71)	170 (77)	180 (82)	190 (88)	200 (93)	210 (99)	
Valve Pressure Rating psi (MPa)	1/2" - 2"	PVC	235 (1.62)	211 (1.45)	150 (1.03)	75 (.52)	50 (.34)	-0- (-0-)	-0- (-0-)	-0- (-0-)	-0- (-0-)	-0- (-0-)	-0- (-0-)	
		CPVC	235 (1.62)	219 (1.51)	170 (1.17)	145 (1.00)	130 (.90)	110 (.76)	90 (.62)	80 (.55)	70 (.48)	60 (.41)	50 (.34)	-0- (-0-)
	2-1/2" - 6"	PVC	150 (1.03)	135 (.93)	110 (.76)	75 (.52)	50 (.34)	-0- (-0-)	-0- (-0-)	-0- (-0-)	-0- (-0-)	-0- (-0-)	-0- (-0-)	-0- (-0-)
		CPVC	150 (1.03)	140 (.97)	130 (.90)	120 (.83)	110 (.76)	100 (.70)	90 (.62)	80 (.55)	70 (.48)	60 (.41)	50 (.34)	-0- (-0-)

NOTE: Flanged Valves have a base pressure rating of 150 psi.

**NOT FOR DISTRIBUTION OF COMPRESSED AIR OR GASES**



# TRUE UNION BALL CHECK VALVES (REGULAR STYLE)



## Sample Engineering Specification

All thermoplastic check valves shall be True Union Ball type constructed from PVC Type I, ASTM D 1784 Cell Classification 12454 or CPVC Type IV, ASTM D 1784 Cell Classification 23447. All O-rings shall be EPDM or FKM. All valve union nuts shall have Buttress threads. All valve components shall be replaceable. All EPDM valves shall be certified by NSF® International for use in potable water service. All 1/2" - 2" valves shall be pressure rated at 235 psi and all 2-1/2" - 6" and all flanged valves shall be pressure rated at 150 psi for water at 73°F, as manufactured by Spears® Manufacturing Company.

## Quick-View Valve Selection Chart

Valve Size	O-ring Material	PVC Part Number <sup>1</sup>			Pressure Rating
		Threaded	Socket	Flanged	
1/2	EPDM	2229-005	included	2223-005	235 psi Non-Shock Water @ 73°F  (Flanged 150 psi Non-Shock) Water @ 73°F
	FKM	2239-005	included	2233-005	
3/4	EPDM	2229-007	included	2223-007	
	FKM	2239-007	included	2233-007	
1	EPDM	2229-010	included	2223-010	
	FKM	2239-010	included	2233-010	
1-1/4	EPDM	2229-012	included	2223-012	
	FKM	2239-012	included	2233-012	
1-1/2	EPDM	2229-015	included	2223-015	
	FKM	2239-015	included	2233-015	
2	EPDM	2229-020	included	2223-020	
	FKM	2239-020	included	2233-020	
2-1/2	EPDM	2221-025	2222-025	2223-025	150 psi Non-Shock Water @ 73°F
	FKM	2231-025	2232-025	2233-025	
3	EPDM	2221-030	2222-030	2223-030	
	FKM	2231-030	2232-030	2233-030	
4	EPDM	2221-040	2222-040	2223-040	
	FKM	2231-040	2232-040	2233-040	
6 <sup>2</sup> venturied	EPDM	---	2222-060	2223-060	
	FKM	---	2232-060	2233-060	

1: For CPVC valves, add the letter "C" to part numbers listed (e.g., 2239-005C).  
2: Consists of 4" True Union Ball Valve with two 4" x 6" Adapters.

## Features – PVC, CPVC

Flow tested design provides quick response with positive seal for prevention of system back flow in industrial and chemical processing applications. Available in IPS Sizes 1/2" - 4" with socket, threaded or flanged end connectors. 6" Venturied valve (4" valve with 4 x 6 adapters) available with either socket or flanged end connection. Also available with metric 20mm - 110mm or 1/2" - 4" BSP thread end connectors. **Note:** Seal carrier is **NOT** blocked (for Safe-T-Blocked® seal carrier design, see True Union 2000 Industrial Ball Check Valve).

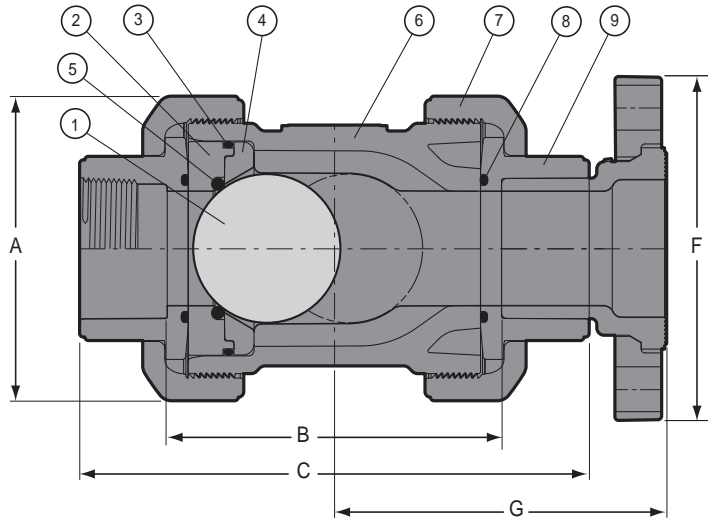
- Chemical & Corrosion Resistant PVC or CPVC Construction
- Strong, Buttress Thread Union Nuts
- Fully Serviceable, Replaceable Components
- Uses Standard O-ring Seat
- EPDM or FKM O-rings
- Sizes 1/2" - 2" Pressure Rated to 235 psi @ 73°F, Sizes 2-1/2" - 6" and all Flanged Pressure Rated to 150 psi @ 73°F
- Suitable for Either Horizontal or Vertical Installations
- EPDM valves NSF® Certified for Potable Water use
- Suitable for Vacuum Service
- Assembled with Silicone-Free, Water Soluble Lubricants
- Manufactured to ASTM F 1970

## Ball Check Foot Valves

Spears® Ball Check Valves easily convert to foot valves utilizing optional Foot Valve Screen adapters found in Ball Valve Accessories section.



# TRUE UNION BALL CHECK VALVES (REGULAR STYLE)



## Replacement Parts

No.	Component	Qty.	Material
1	Ball	1	PVC/CPVC
2	Seal Carrier	1	PVC/CPVC
3	Carrier O-ring	1	EPDM/FKM
4	Seat Plate	1	PVC/CPVC
5	Seat O-ring	1	EPDM/FKM
6	Body	1	PVC/CPVC
7	Union Nut	2	PVC/CPVC
8	End Connector O-ring	2	EPDM/FKM
9	End Connector	2	PVC/CPVC

## Dimensions, Weights, C<sub>v</sub> Values & Horizontal Closing Requirements

Nominal Size	Dimension Reference (inches, ± 1/16)					Approx. Wt. (Lbs.)		C <sub>v</sub> <sup>3</sup> Values		Horizontal Closing	
	A	B <sup>1</sup>	C	F	G	PVC	CPVC	Threaded/Socket	Flanged	Feet of Head (water)	GPM (minimum)
1/2	2-9/16	3-5/16	5-1/8	3-1/2	3-7/16	.56	.61	11	10	1.6	.10
3/4	3	4	6-1/8	3-7/8	3-15/16	.91	.99	18	17	1.6	.10
1	3-7/16	4-1/4	6-1/2	4-1/4	4-3/8	1.20	1.30	32	30	1.6	.25
1-1/4	3-11/16	4-1/2	7	4-5/8	4-9/16	1.50	1.60	58	55	1.6	.40
1-1/2	4-3/8	5-5/16	8-1/16	5	5-1/4	2.50	2.70	94	89	1.6	.75
2	5-1/8	5-3/4	8-3/4	6	5-5/8	3.70	4.00	153	146	1.6	.75
2-1/2	7-3/8	8-5/16	11-7/8	7	7-1/4	11.10	12.21	159	155	1.0	1.50
3	7-3/8	8-1/8	11-7/8	7-1/2	7-1/2	10.84	11.91	378	361	1.0	4.00
4	8-15/16	8-1/4	12-15/16	9-1/16	8-1/8	17.60	19.36	551	537	1.0	5.50
6 Socket <sup>2</sup>	8-15/16	19-5/8	26-1/16	N/A	N/A	22.45	27.61	N/A	N/A	N/A	N/A
6 Flanged <sup>2</sup>	11-3/16	29-3/8	N/A	11-1/4	14-3/4	31.21	37.07	N/A	N/A	N/A	N/A

- 1: Valve Lay Length  
 2: Consists of 4" True Union Ball Check Valve with two 4" x 6" Adapters.  
 3: Gallons per minute at 1 psi pressure drop.  
 C<sub>v</sub> Values for 6" venturied flange and socket valves are not available.

## Temperature Pressure Rating

System Operating Temperature °F (°C)		100 (38)	110 (43)	120 (49)	130 (54)	140 (60)	150 (66)	160 (71)	170 (77)	180 (82)	190 (88)	200 (93)	210 (99)	
Valve Pressure Rating psi (MPa)	1/2" - 2"	PVC	235 (1.62)	211 (1.45)	150 (1.03)	75 (.52)	50 (.34)	-0- (-0-)	-0- (-0-)	-0- (-0-)	-0- (-0-)	-0- (-0-)	-0- (-0-)	
		CPVC	235 (1.62)	219 (1.51)	170 (1.17)	145 (1.00)	130 (.90)	110 (.76)	90 (.62)	80 (.55)	70 (.48)	60 (.41)	50 (.34)	-0- (-0-)
	2-1/2" - 6"	PVC	150 (1.03)	135 (.93)	110 (.76)	75 (.52)	50 (.34)	-0- (-0-)	-0- (-0-)	-0- (-0-)	-0- (-0-)	-0- (-0-)	-0- (-0-)	-0- (-0-)
		CPVC	150 (1.03)	140 (.97)	130 (.90)	120 (.83)	110 (.76)	100 (.70)	90 (.62)	80 (.55)	70 (.48)	60 (.41)	50 (.34)	-0- (-0-)

NOTE: Flanged Valves have a base pressure rating of 150 psi.

**General Installation Information:** Ball check valves may be installed in either horizontal or vertical position. A minimum of ten (10) pipe diameters distance maintained from any pump or other source of turbulence. Ball Check valves **MUST** be installed with the valves **FLOW** arrow pointing in the direction of flow.

**NOT FOR DISTRIBUTION OF COMPRESSED AIR OR GASES**



## COMPACT 2000 BALL VALVES



### Sample Engineering Specification

All thermoplastic ball valves shall be 2000 Compact sealed unit type manufactured to ASTM F 1970 and constructed from PVC Type I, ASTM D 1784 Cell Classification 12454 or CPVC Type IV, ASTM D 1784 Cell Classification 23447. All O-rings shall be EPDM or FKM. All valves shall have Safe-T-Shear<sup>®</sup> stem with O-ring stem seal. All handles shall be polypropylene. All EPDM valves shall be certified by NSF<sup>®</sup> International for use with potable water. All 1/2" - 2" valves shall be pressure rated to 235 psi, for water @ 73°F, as manufactured by Spears<sup>®</sup> Manufacturing Company.

### Features – PVC, CPVC

Economical, low profile quarter-turn shutoff valve is excellent for general purpose and many O.E.M applications. PVC and CPVC valves are available in IPS sizes 1/2" through 2" with socket and regular thread.

- Industrial Grade, Maintenance-Free Sealed Unit
- New Actuator-Ready Body – Accepts Spears<sup>®</sup> Improved Mini-Mount Actuator Mounting Kits
- New Double O-ring Stem Seal
- Spears<sup>®</sup> Safe-T-Shear Stem
- PTFE Self Adjusting Floating Seats
- EPDM or FKM O-ring Seals
- Full 235 psi Pressure Rating @ 73°F
- EPDM valves NSF<sup>®</sup> Certified for Use with Potable Water
- Suitable for Vacuum Service
- Produced in ASTM IPS sizes 1/2" - 2" with Socket or Threaded End Connectors.

### Optional Accessories\*

- Round Safety Handles
- Stem Extension Kits
- Square Operator Nuts
- Multi Mount Valve/Actuation Mounting Kits
- Mini-Mount Actuation Mounting Kits

\* See "BALL VALVE ACCESSORIES" section for details of individual products.

### Quick-View Valve Selection Chart

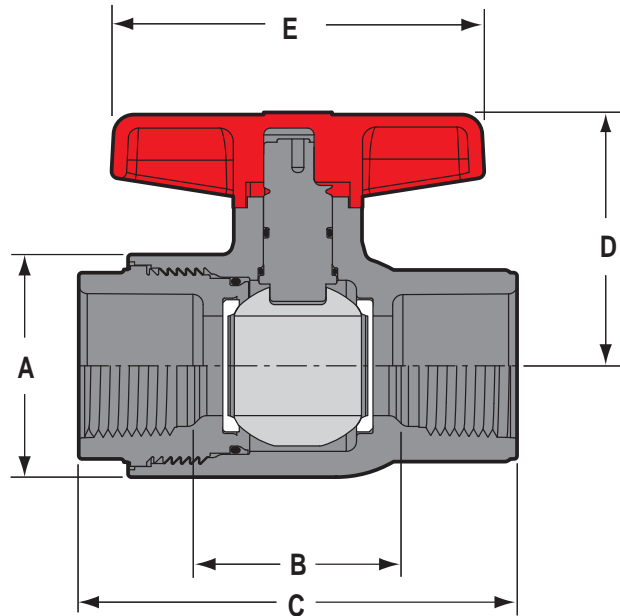
Valve Size	O-ring Material	PVC Part Number <sup>1</sup>		Pressure Rating
		Socket	Threaded	
1/2	EPDM	6622-005	6621-005	235 psi Non-Shock Water @73°F
	FKM	6632-005	6631-005	
3/4	EPDM	6622-007	6621-007	
	FKM	6632-007	6631-007	
1	EPDM	6622-010	6621-010	
	FKM	6632-010	6631-010	
1-1/4	EPDM	6622-012	6621-012	
	FKM	6632-012	6631-012	
1-1/2	EPDM	6622-015	6621-015	
	FKM	6632-015	6631-015	
2	EPDM	6622-020	6621-020	
	FKM	6632-020	6631-020	

1: For CPVC Valves, add the letter "C" to part numbers listed. (e.g., 6622-005C)

**NOT FOR DISTRIBUTION OF COMPRESSED AIR OR GASES**



# COMPACT 2000 BALL VALVES



## Dimensions, Weights, Operating Torque & Cv Values

Nominal Size	Dimension Reference (inches, $\pm 1/16$ )						Approx. Wt. (Lbs.)		Oper. <sup>2</sup> Torque (in.-lb.)	Cv <sup>3</sup> Values
	A	B <sup>1</sup>		C	D	E	PVC	CPVC		
		Socket	Threaded							
1/2	1-7/16	1-1/4	1-5/8	3-1/16	1-5/8	1-5/8	.18	.20	10	42
3/4	1-13/16	1-1/2	2-1/16	3-9/16	2	2	.29	.31	20	87
1	2-1/16	1-3/4	2-3/16	4	2-5/16	2-5/16	.44	.46	25	157
1-1/4	2-5/8	2-1/6	2-3/4	4-5/8	2-13/16	2-13/16	.68	.70	30	311
1-1/2	3	2-1/2	3-3/8	5-5/16	3-1/16	3-1/16	.99	1.03	50	429
2	3-5/8	3	4	6	3-3/4	3-3/4	1.64	1.70	90	768

1: Valve Lay Length

2: Torque required at valve maximum internal pressure rating, 5ft/sec. Flow velocity.

3: Gallons per minute at 1 psi pressure drop. Valves calculated from laying length, based on derivative of Hazen-Williams equation with surface roughness factor of C=150.

## Temperature Pressure Rating

System Operating Temperature °F (°C)		100 (38)	110 (43)	120 (49)	130 (54)	140 (60)	150 (66)	160 (71)	170 (77)	180 (82)	190 (88)	200 (93)	210 (99)
Valve Pressure Rating psi (MPa)	1/2" - 2"	PVC	235 (1.62)	211 (1.45)	150 (1.03)	75 (.52)	50 (.34)	-0- (-0-)	-0- (-0-)	-0- (-0-)	-0- (-0-)	-0- (-0-)	-0- (-0-)
		CPVC	235 (1.62)	219 (1.51)	170 (1.17)	145 (1.00)	130 (.90)	110 (.76)	90 (.62)	80 (.55)	70 (.48)	60 (.41)	50 (.34)

NOT FOR DISTRIBUTION OF COMPRESSED AIR OR GASES



# COMPACT BALL VALVES



## Features – PVC, CPVC

This industrial grade, quarter turn shutoff valve is popular where maintenance-free installations are desired for a variety of chemical processing, industrial and OEM applications. IPS Sizes 1/2" - 4" available with socket, threaded or flanged end connectors, 6" size available with socket or flanged end connectors. 6" valve uses high-efficiency lever style handle for easier operation.

- Chemical & Corrosion Resistant PVC or CPVC Construction
- Maintenance-Free Sealed Unit
- Schedule 80 Full-Bore Design
- High Impact Polypropylene Handle
- Spears® Single O-ring Safe-T-Shear® Stem Design
- EPDM or FKM O-rings
- Self Adjusting PTFE Floating Seat Design
- Sizes 1/2" - 2" Pressure Rated to 235 psi @ 73°F, Sizes 3" - 6" and all Flanged Pressure Rated to 150 psi @ 73°F
- EPDM valves NSF® Certified for Potable Water use
- Suitable for Vacuum Service
- Assembled with Silicone-Free, Water Soluble Lubricant
- Manufactured to ASTM F 1970

**Note:** Valve size 6" uses Lever Handle (not shown)

## Sample Engineering Specification

All thermoplastic ball valves shall be Compact sealed unit type constructed from PVC Type I, ASTM D 1784 Cell Classification 12454 or CPVC Type IV, Cell Classification 23447. All O-rings shall be EPDM or FKM. All valves shall have Safe-T-Shear® stem and Polypropylene handle. All EPDM valves shall be certified by NSF® International for use in potable water service. All 1/2" - 2" valves shall be pressure rated at 235 psi, all 3" - 6" and all flanged valves shall be pressure rated at 150 psi for water at 73°F, as manufactured by Spears® Manufacturing Company.

## Quick-View Valve Selection Chart

Valve Size	O-ring Material	PVC Part Numbers <sup>1</sup>			Pressure Rating	
		Socket	Threaded	Flanged		
1/2	EPDM	2122-005	2121-005	2123-005	235 psi Non-Shock Water @ 73°F	
	FKM	2132-005	2131-005	2133-005		
3/4	EPDM	2122-007	2121-007	2123-007		
	FKM	2132-007	2131-007	2133-007		
1	EPDM	2122-010	2121-010	2123-010		
	FKM	2132-010	2131-010	2133-010		
1-1/4	EPDM	2122-012	2121-012	2123-012		(Flanged 150 psi Non-Shock) Water @ 73°F
	FKM	2132-012	2131-012	2133-012		
1-1/2	EPDM	2122-015	2121-015	2123-015		
	FKM	2132-015	2131-015	2133-015		
2	EPDM	2122-020	2121-020	2123-020		
	FKM	2132-020	2131-020	2133-020		
3	EPDM	2122-030	2121-030	2123-030	150 psi Non-Shock Water @ 73°F	
	FKM	2132-030	2131-030	2133-030		
4	EPDM	2122-040	2121-040	2123-040		
	FKM	2132-040	2131-040	2133-040		
6	EPDM	2122-060	---	2123-060		
	FKM	2132-060	---	2133-060		

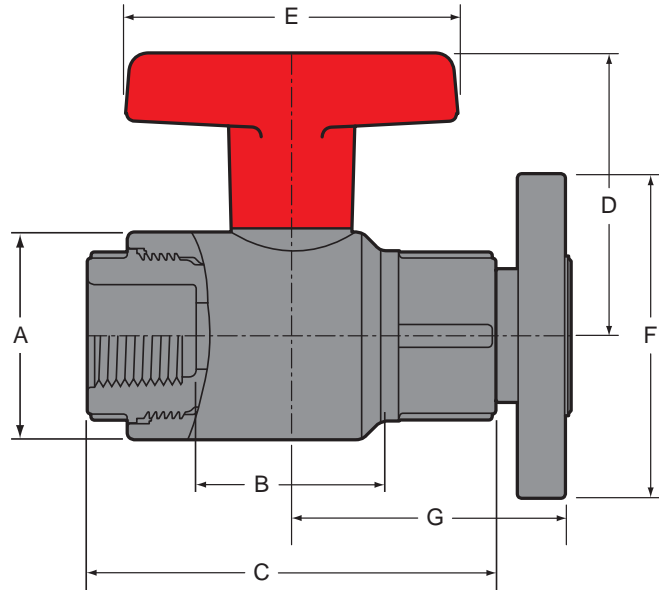
<sup>1</sup>: For CPVC valves, add the letter "C" to the part numbers listed (e.g., 2131-005C).

## Optional Accessories\*

- Round Safety Handle
- Stem Extension Kit
- Mini-Mount Actuation Mounting Kit
- 2" Square/T-Style Operator Nut

\*See "BALL VALVE ACCESSORIES" section for details of individual products.

# COMPACT BALL VALVES



## Dimensions, Weights, Operating Torque & Cv Values

Nominal Size	Dimension Reference (inches, ± 1/16)								Approx. Wt. (Lbs.)		Oper. <sup>2</sup> Torque (in.-lb.)	Cv <sup>3</sup> Values	
	A	B <sup>1</sup>		C	D	E <sup>4</sup>	F	G	PVC	CPVC		Soc/Thd	Flanged
		Socket	Threaded										
1/2	1-11/16	1-5/8	1-7/8	3-3/8	2-5/16	2-3/4	3-1/2	2-17/32	.31	.32	20	36	20
3/4	2-1/8	1-15/16	2-7/16	4-1/16	2-11/16	3-1/4	3-7/8	2-27/32	.49	.52	30	74	42
1	2-7/16	2-1/16	2-3/8	4-7/16	2-7/8	3-3/4	4-1/4	3-1/16	.64	.69	40	141	80
1-1/4	2-13/16	2-3/8	3	4-15/16	3-5/16	4-1/8	4-5/8	3-13/32	.93	.98	60	284	163
1-1/2	3-1/4	2-13/16	3-1/2	5-5/8	3-11/16	4-1/2	5	4	1.39	1.45	80	402	229
2	4-1/16	3-3/8	4-7/16	6-1/2	4-3/8	5-1/4	5-7/8	4-13/32	2.33	2.45	90	706	429
3	5-5/16	4-9/16	5-1/2	8-5/16	5-1/2	7-21/32	7-1/2	5-7/16	4.49	5.02	300	1660	1079
4	7-3/8	6-3/16	7-3/16	10-5/32	6-5/8	10-27/32	9-1/16	6-7/8	9.50	10.24	400	3104	2028
6 <sup>4</sup>	10-3/16	8	10-3/4	14-1/8	8-1/16	14-5/16	11-1/4	8-21/32	21.48	23.41	900	7942	5268

1: Valve Lay Length

2: Torque required at valve maximum internal pressure rating, 5 ft./sec. flow velocity.

3: Gallons per minutes at 1 psi pressure loss. Values calculated from valve laying length, based on derivative of Hazen-Williams equation with surface roughness factor of C=150.

4: 6" valve has lever handle, dimension is from valve centerline (not illustrated)

## Temperature Pressure Rating

System Operating Temperature °F (°C)		100 (38)	110 (43)	120 (49)	130 (54)	140 (60)	150 (66)	160 (71)	170 (77)	180 (82)	190 (88)	200 (93)	210 (99)	
Valve Pressure Rating psi (MPa)	1/2" - 2"	PVC	235 (1.62)	211 (1.45)	150 (1.03)	75 (.52)	50 (.34)	-0 (-0)	-0 (-0)	-0 (-0)	-0 (-0)	-0 (-0)	-0 (-0)	
		CPVC	235 (1.62)	219 (1.51)	170 (1.17)	145 (1.00)	130 (.90)	110 (.76)	90 (.62)	80 (.55)	70 (.48)	60 (.41)	50 (.34)	-0 (-0)
	3" - 6"	PVC	150 (1.03)	135 (.93)	110 (.76)	75 (.52)	50 (.34)	-0 (-0)	-0 (-0)	-0 (-0)	-0 (-0)	-0 (-0)	-0 (-0)	-0 (-0)
		CPVC	150 (1.03)	140 (.97)	130 (.90)	120 (.83)	110 (.76)	100 (.70)	90 (.62)	80 (.55)	70 (.48)	60 (.41)	50 (.34)	-0 (-0)

NOT FOR DISTRIBUTION OF COMPRESSED AIR OR GASES



# SINGLE ENTRY BALL VALVES



## Features – PVC Gray & PVC White

This quarter-turn shutoff valve is widely chosen for industrial and chemical processing, turf and irrigation, plus pool and spa applications. Available in PVC Gray or PVC White, IPS Sizes 1/2" - 4" with socket or threaded end connectors. **Note:** Seal carrier is **NOT** blocked (see True Union 2000 Valves).

- Chemical & Corrosion Resistant PVC Gray or PVC White Construction
- Schedule 80 Full-Bore Design
- Strong, Buttress Thread Union Nut
- High Impact Polypropylene Handle
- Spears® Single O-ring Safe-T-Shear® Stem Design
- Buna-N, EPDM or FKM O-rings
- Self Adjusting PTFE Floating Seat Design
- Fully Serviceable, Replaceable Components
- Sizes 1/2" - 2" Pressure Rated to 235 psi @ 73°F, Sizes 3" - 4" Pressure Rated to 150 psi @ 73°F
- Valves with EPDM O-rings NSF® Certified for Potable Water use
- Suitable for Vacuum Service
- Assembled with Silicone-Free, Water Soluble Lubricant
- Manufactured to ASTM F 1970

## Sample Engineering Specification

All thermoplastic ball valves shall be Single Entry type constructed from PVC Type I, ASTM D 1784 Cell Classification 12454. All O-rings shall be Buna-N, EPDM or FKM. All valves shall have Safe-T-Shear® stem and double stop Polypropylene handle. All valve union nuts shall have Buttress threads. All valve components shall be replaceable. All EPDM valves shall be certified by NSF® International for use in potable water service. All 1/2" - 2" valves shall be pressure rated at 235 psi and all 3" - 4" valves shall be pressure rated at 150 psi for water at 73°F, as manufactured by Spears® Manufacturing Company.

## Quick-View Valve Selection Chart

Valve Size	O-ring Material	PVC Gray Part Numbers <sup>1</sup>		Pressure Rating
		Socket	Threaded	
1/2	Buna-N	2412-005G	2411-005G	235 psi Non-Shock Water @ 73°F
	EPDM	2422-005G	2421-005G	
	FKM	2432-005G	2431-005G	
3/4	Buna-N	2412-007G	2411-007G	
	EPDM	2422-007G	2421-007G	
	FKM	2432-007G	2431-007G	
1	Buna-N	2412-010G	2411-010G	
	EPDM	2422-010G	2421-010G	
	FKM	2432-010G	2431-010G	
1-1/4	Buna-N	2412-012G	2411-012G	
	EPDM	2422-012G	2421-012G	
	FKM	2432-012G	2431-012G	
1-1/2	Buna-N	2412-015G	2411-015G	
	EPDM	2422-015G	2421-015G	
	FKM	2432-015G	2431-015G	
2	Buna-N	2412-020G	2411-020G	
	EPDM	2422-020G	2421-020G	
	FKM	2432-020G	2431-020G	
3	Buna-N	2412-030G	2411-030G	150 psi Non-Shock Water @ 73°F
	EPDM	2422-030G	2421-030G	
	FKM	2432-030G	2431-030G	
4	Buna-N	2412-040G	2411-040G	
	EPDM	2422-040G	2421-040G	
	FKM	2432-040G	2431-040G	

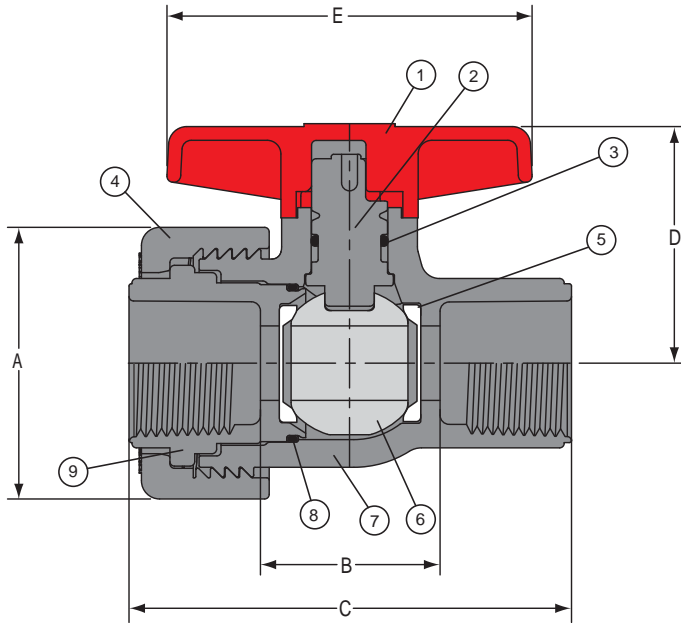
## Optional Accessories\*

- Round Safety Handle
- Stem Extension Kit
- 2" Square / T-Style Operator Nut

\*See "**BALL VALVE ACCESSORIES**" section for details of individual products.

1: For PVC White valves, replace the letter "G" with the letter "W" at the end of the part number listed (e.g., 2421-005W).

# SINGLE ENTRY BALL VALVES



## Replacement Parts

No.	Component	Qty.	Material
1	Handle	1	PP
2	Stem	1	PVC
3	Stem O-ring	1	Buna-N/EPDM/FKM
4	Union Nut	1	PVC
5	Seat	2	PTFE
6	Ball	1	PVC
7	Body	1	PVC
8	Carrier O-ring	1	Buna-N/EPDM/FKM
9	End Connector	1	PVC

Seat O-rings (not shown) on sizes 3" and larger.

## Dimensions, Weights, Operating Torque & C<sub>v</sub> Values

Nominal Size	Dimension Reference (inches, ± 1/16)						Approx. Wt. (Lbs.)	Oper. <sup>2</sup> Torque (in.-lb.)	C <sub>v</sub> <sup>3</sup> Values
	A	B <sup>1</sup>		C	D	E			
		Socket	Threaded						
1/2	1-15/16	1-1/4	1-5/8	3-1/16	1-5/8	2-1/2	.22	20	38
3/4	2-3/8	1-7/16	2-1/8	3-9/16	2	3	.36	30	76
1	2-5/8	1-5/8	2-1/8	3-7/8	2-5/16	3-15/16	.50	40	146
1-1/4	3-1/8	1-15/16	2-1/4	4-1/8	2-13/16	3-1/2	.75	60	292
1-1/2	3-9/16	2-3/8	2-3/4	4-5/8	3-1/16	3-7/8	1.00	80	412
2	4-5/16	3-1/16	3-5/8	5-1/2	3-3/4	5	2.00	90	720
3	6-3/16	4-3/8	5-3/8	8-1/8	5-1/2	7-5/8	7.00	300	1660
4	7-3/4	5-11/16	6-7/8	9-3/4	6-1/8	9-1/16	12.00	400	3104

1: Valve Lay Length

2: Torque required at valve maximum internal pressure rating, 5 ft./sec. flow velocity; due to adjustment differences during installation, actual values may vary.

3: Gallons per minute at 1 psi pressure drop. Values calculated from valve laying length, based on derivative of Hazen-Williams equation with surface roughness factor of C=150.

## Temperature Pressure Rating

System Operating Temperature °F (°C)			73 (23)	100 (38)	110 (43)	120 (49)	130 (54)	140 (60)	150 (66)
Valve Pressure Rating psi (MPa)	1/2" - 2"	PVC	235 (1.62)	146 (1.01)	118 (.81)	94 (.65)	71 (.49)	52 (.36)	-0- (-0-)
	3" - 4"	PVC	150 (1.03)	93 (.64)	75 (.52)	60 (.41)	45 (.31)	33 (.23)	-0- (-0-)

**NOT FOR DISTRIBUTION OF COMPRESSED AIR OR GASES**



## UTILITY BALL VALVES



PVC



CPVC

### Sample Engineering Specification

All thermoplastic ball valves shall be Utility sealed unit type constructed from PVC Type I, ASTM D 1784 Cell Classification 12454 or CPVC Type IV, ASTM D 1784 Cell Classification 23447. All O-rings shall be EPDM. All valves shall have Safe-T-Shear<sup>®</sup> stem and Polypropylene handle. All valves shall be certified by NSF<sup>®</sup> International for use in potable water service. All valves shall be pressure rated at 150 psi for water at 73°F, as manufactured by Spears<sup>®</sup> Manufacturing Company.

### Features - PVC White, PVC Gray & CPVC

A high quality, economical quarter-turn shutoff valve designed for irrigation, pool and spa, and general purpose applications. IPS sizes 1/2" - 2" available in PVC White, PVC Gray or CPVC with socket or threaded end connectors. Sizes 3" - 4" available in PVC White with socket or threaded end connectors. 6" size available in PVC White with socket end connectors and high-efficiency lever style handle for easier operation.

- Chemical & Corrosion Resistant PVC or CPVC Construction
- Economical Sealed Unit
- Schedule 80 Full-Bore Design
- High Impact Polypropylene Handle
- Spears<sup>®</sup> Single O-ring Safe-T-Shear<sup>®</sup> Stem Design
- EPDM O-rings
- PTFE/HDPE Floating Seat Design
- Sizes 1/2" - 6" Pressure Rated to 150 psi @ 73°F
- NSF<sup>®</sup> Certified for Potable Water use
- Assembled with Silicone-Free, Water Soluble lubricant

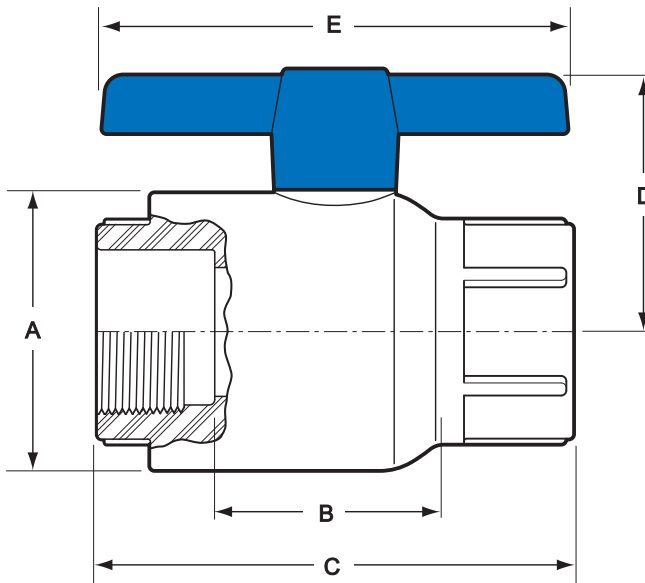
**Note:** Valve sizes 2-1/2", 3", 4" and 6" are not available in CPVC. Refer to Compact Ball Valve  
Valve size 6" uses Lever Handle (not shown)

### Quick-View Valve Selection Chart

Valve Size	O-ring Material	PVC Part Number <sup>1, 2</sup>		Pressure Rating
		Socket	Threaded	
1/2	EPDM	2622-005	2621-005	150 psi Non-Shock Water @ 73°F
3/4	EPDM	2622-007	2621-007	
1	EPDM	2622-010	2621-010	
1-1/4	EPDM	2622-012	2621-012	
1-1/2	EPDM	2622-015	2621-015	
2	EPDM	2622-020	2621-020	
2-1/2	EPDM	2622-025	2621-025	
3	EPDM	2622-030	2621-030	
4	EPDM	2622-040	2621-040	
6	EPDM	2622-060	---	

1: For CPVC valves, add the letter "C" to part numbers listed (e.g., 2621-005C).  
2: For PVC Gray, add the letter "G" to part numbers listed (e.g. 2621-005G).

# UTILITY BALL VALVES



## Dimensions, Weights & C<sub>v</sub> Values

Nominal Size	Dimension Reference (inches, ± 1/16)						Approx. Wt. (Lbs.)		C <sub>v</sub> <sup>2</sup> Values
	A	B <sup>1</sup>		C	D	E <sup>3</sup>	PVC	CPVC	
		Socket	Threaded						
1/2	1-7/16	1-1/4	1-1/4	2-11/16	1-11/16	2-3/4	.16	.17	46
3/4	1-25/32	1-7/16	1-7/16	2-31/32	1-29/32	3-7/32	.25	.27	91
1	2-1/32	1-5/8	1-5/8	3-3/8	2-7/16	3-1/2	.34	.36	160
1-1/4	2-9/16	1-31/32	1-31/32	3-7/8	2-13/16	3-3/4	.57	.60	306
1-1/2	2-15/16	2-1/2	2-3/4	4-11/16	2-15/16	4-1/4	.88	.90	429
2	3-9/16	2-27/32	3-3/16	5-5/32	3-13/16	4-31/32	1.34	1.34	755
2-1/2	4-5/16	3-17/32	4-7/16	7-1/32	4-5/32	5-9/16	2.31	N/A	1126
3	5-5/16	4-5/32	5-1/8	7-15/16	5-9/16	7-21/32	4.78	N/A	1660
4	6-11/16	5-1/8	6-7/32	9-3/16	6-6/32	10-27/32	8.00	N/A	3129
6 <sup>3</sup>	10-3/16	8-3/32	---	14-3/16	8-5/32	14-3/32	23.24	N/A	7942

1: Valve Lay Length

2: Gallons per minute at 1 psi pressure drop. Values calculated from valve laying length, based on derivative of Hazen-Williams equation with surface roughness factor of C=150.

3: 6" valve has lever handle, dimension is from valve stem centerline (not illustrated)

## Temperature Pressure Rating

System Operating Temperature °F (°C)		73 (23)	100 (38)	110 (43)	120 (49)	130 (54)	140 (60)	150 (66)	160 (71)	170 (77)	180 (82)	190 (88)
Valve Pressure Rating psi (MPa)	PVC	150 (1.03)	93 (.64)	75 (.52)	60 (.41)	45 (.31)	33 (.23)	-0- (-0-)	-0- (-0-)	-0- (-0-)	-0- (-0-)	-0- (-0-)
	CPVC	150 (1.03)	123 (.85)	110 (.76)	98 (.68)	86 (.58)	75 (.52)	68 (.47)	60 (.41)	48 (.33)	38 (.26)	-0- (-0-)

**NOT FOR DISTRIBUTION OF COMPRESSED AIR OR GASES**



# CWV BALL VALVES



## Features - PVC White

A high quality, economical quarter-turn shutoff valve designed for irrigation, pool and spa, and general purpose applications. IPS sizes 1/2" - 2" available in PVC White.

- Chemical & Corrosion Resistant PVC Construction
- Economical Sealed Unit
- High Impact Polypropylene Handle
- Spears® Single O-ring Safe-T-Shear® Stem Design
- EPDM O-rings
- Sizes 1/2" - 2" Pressure Rated to 125 psi @ 73°F
- NSF® Certified for Potable Water use
- Assembled with Silicone-Free, Water Soluble lubricant

## Sample Engineering Specification

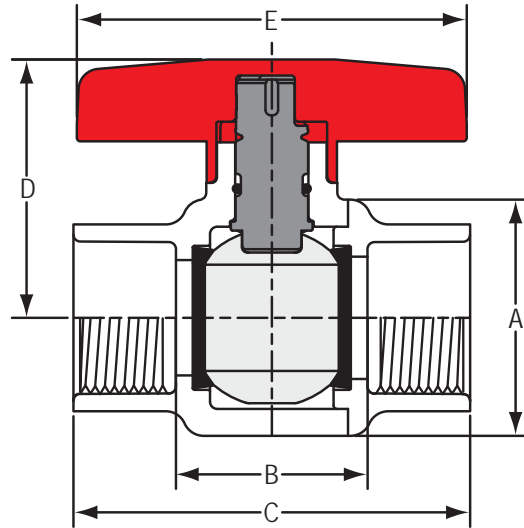
All thermoplastic ball valves shall be CWV sealed unit type constructed from PVC Type I, ASTM D 1784 Cell Classification 12454. All O-rings shall be EPDM. All valves shall have Safe-T-Shear® stem and Polypropylene handle. All valves shall be certified by NSF® International for use in potable water service. All valves shall be pressure rated at 125 psi for water at 73°F, as manufactured by Spears® Manufacturing Company.

## Quick-View Valve Selection Chart

Valve Size	O-ring Material	PVC Part Number		Pressure Rating
		Socket	Threaded	
1/2	EPDM	8722-005	8721-005	125 psi Non-Shock Water @ 73°F
3/4	EPDM	8722-007	8721-007	
1	EPDM	8722-010	8721-010	
1-1/4	EPDM	8722-012	8721-012	
1-1/2	EPDM	8722-015	8721-015	
2	EPDM	8722-020	8721-020	



# CWV BALL VALVE



## Dimensions

Size	A	B		C	D	E
		Socket	Threaded			
1/2	1-5/16	1-7/32	1-7/32	2-5/8	1-9/16	2-5/8
3/4	1-5/8	1-15/32	1-7/16	2-15/16	1-15/16	2-7/8
1	1-7/8	1-5/8	1-5/8	3-7/16	2-1/4	3-3/8
1-1/4	2-3/8	2	2	3-7/8	2-3/4	3-7/8
1-1/2	2-3/4	2-7/16	2-3/4	4-5/8	3-1/8	4-1/2
2	3-11/32	2-25/32	2-25/32	5-1/8	3-23/32	4-31/32

## Temperature Pressure Rating

System Operating Temperature °F (°C)		73 (23)	100 (38)	110 (43)	120 (49)	130 (54)	140 (60)	150 (66)	160 (71)	170 (77)	180 (82)	190 (88)
Valve Pressure Rating psi (MPa)	PVC	150 (1.03)	93 (.64)	75 (.52)	60 (.41)	45 (.31)	33 (.23)	-0- (-0-)	-0- (-0-)	-0- (-0-)	-0- (-0-)	-0- (-0-)



# CTS 1/4-TURN ANGLE SUPPLY STOP



## Features – CPVC

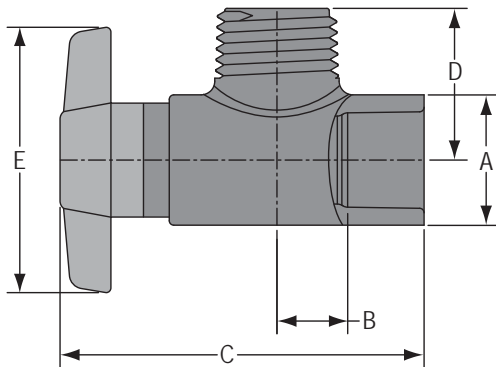
Used at plumbing fixtures to terminate and control hot and cold water, this all-plastic quarter-turn shutoff valve is specially designed for use with CTS (Copper Tube Size) CPVC Hot & Cold Water Distribution Systems. Available in 1/2" CTS Socket or Spears® patented Special Reinforced (SR) 1/2" FIPT female thread inlet x 1/2" straight male thread outlet for connection to conventional 1/2" FPT faucet or toilet supply lines with captive seals.

- Easy 1/4-Turn Shutoff
- All Plastic Corrosion Proof Construction
- CTS CPVC Tan Body with Tan Colored High Impact Polypropylene Handle
- High Quality EPDM Seals
- NSF® Certified to ASTM F 1970 for use in ASTM D 2846 Hot & Cold Water Distribution Systems rated to 100 psi @ 180°F

## Sample Engineering Specification

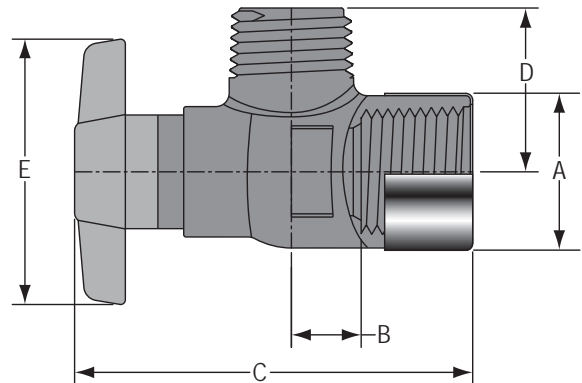
All thermoplastic Angle Supply Stops shall be Copper Tube Size (CTS) sealed unit type constructed from CPVC Type IV, ASTM D 1784 Cell Classification 23447. All O-rings shall be EPDM. All valves shall have Polypropylene handle. All Angle Supply Stops shall be pressure rated at 100 psi for water at 180°F, as manufactured by Spears® Manufacturing Company.

## Dimensions



**1/4-Turn Angle Supply Stop  
Socket x NPT**

Nominal Size	A	B	C	D	E
1/2	27/32	7/16	2-13/32	1	1-3/4
1/2 x 3/8	7/8	7/16	2-3/8	7/8	1-3/4



**1/4-Turn Angle Supply Stop  
SR FIPT x NPT**

Nominal Size	A	B	C	D	E
1/2	1	15/32	2-21/32	1	1-3/4
1/2 x 3/8	1-1/32	15/32	2-5/8	31/32	1-3/4

## Quick-View Valve Selection Chart

Valve Size	O-ring Material	Part Number		Pressure Rating
		Socket	SR Threaded	
1/2	EPDM	7722-005	7721-005SR	100 psi Non-Shock Water @ 180°F
1/2 x 3/8	EPDM	7722-073	7721-073SR	100 psi Non-Shock Water @ 180°F

# CTS BALL VALVES



## Features – CPVC

A high quality, quarter-turn shutoff valve designed for line-stop use in Copper Tube Size (CTS) CPVC hot and cold water distribution systems as specified in ASTM D 2846. Approved by national, state and most municipal building codes for use in residential and commercial structures, as well as recreational vehicles, modular homes and mobile home applications. Check local codes for acceptability and restrictions. Available in CTS sizes 1/2" - 2" with socket end connectors.

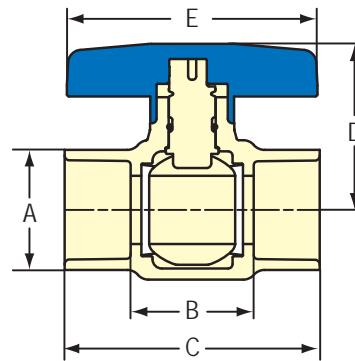
- Chemical & Corrosion Resistant CPVC Construction
- Maintenance-Free Sealed Unit
- High Impact Polypropylene Handle
- Spears® Single O-ring Safe-T-Shear® Stem Design
- EPDM O-rings
- PTFE/HDPE Floating Seat Design
- Suitable for Commercial Hot Water Systems
- Sizes 1/2" - 2" Pressure Rated to 100 psi @ 180°F
- NSF® Certified for Potable Water use
- Assembled with Silicone-Free, Water Soluble Lubricant
- Manufactured to ASTM F 1970

## Sample Engineering Specification

All thermoplastic ball valves shall be Copper Tube Size (CTS) sealed unit type constructed from CPVC Type IV, ASTM D 1784 Cell Classification 23447. All O-rings shall be EPDM. All valves shall have double stop Polypropylene handle. All valves shall be certified by NSF® International for use in potable water service. All valves shall be pressure rated at 100 psi for water at 180°F, as manufactured by Spears® Manufacturing Company.

## Quick-View Valve Selection Chart

Valve Size	O-ring Material	Part Number Socket	Pressure Rating
1/2	EPDM	1922-005	100 psi Non-Shock Water @ 180°F
3/4	EPDM	1922-007	
1	EPDM	1922-010	
1-1/4	EPDM	1922-012	
1-1/2	EPDM	1922-015	
2	EPDM	1922-020	



## Dimensions, Weights & Cv Values

Nominal Size	Dimension Reference (inches, ± 1/16)					Approx. Wt. (Lbs.)	C <sub>v</sub> <sup>2</sup> Values
	A	B <sup>1</sup>	C	D	E		
1/2	1-7/32	1-1/16	2-3/32	1-11/32	2	.09	37
3/4	1-9/16	1-11/32	2-25/32	1-3/4	2-23/32	.16	84
1	1-7/8	1-9/16	3-3/8	2-3/8	3-1/2	.27	151
1-1/4	2-13/32	1-15/16	4-3/16	2-25/32	3-3/4	.47	229
1-1/2	2-27/32	2-3/8	5-1/32	3-5/32	4-9/32	1.05	330
2	3-17/32	2-3/4	6-3/16	3-27/32	5	1.38	598

1: Valve Lay Length

2: Gallons per minute at 1 psi pressure drop. Values calculated from valve laying length, based on derivative of Hazen-Williams equation with roughness factor of C=150.

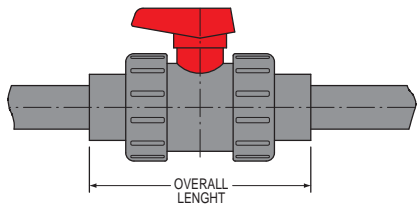


# BALL VALVE ACCESSORIES

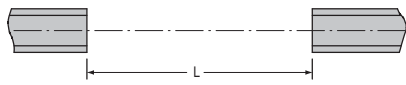


## True Union 2000 Retrofit Kits

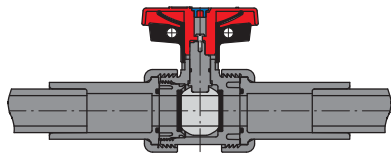
Easily converts any system over to all True Union 2000 style valves for consistent valve type and uniform maintenance. Special extended socket style End Connectors (2) allow retrofit replacement of older Spears® and other brand valves in existing piping systems with a new True Union 2000 valve. Simply cut out old valve according to specified dimension and install retrofit end connectors. End connectors are provided with either EPDM or FKM O-rings.



Ball Valve for Replacement



Pipe Laying Length After Cutting



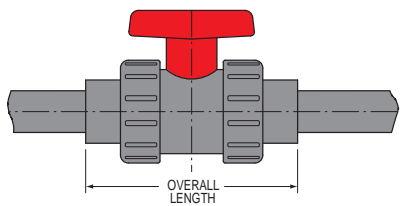
True Union 2000 Ball Valve Installed with Retrofit Kit

## True Union Retrofit Kits - Other Brand Valves (Socket Style Only)

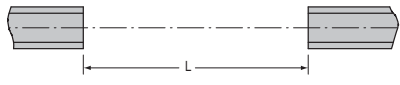
Kit Size	EPDM		FKM	
	PVC	CPVC	PVC	CPVC
1/2	RFK2-005	RFK2-005C	RFK3-005	RFK3-005C
3/4	RFK2-007	RFK2-007C	RFK3-007	RFK3-007C
1	RFK2-010	RFK2-010C	RFK3-010	RFK3-010C
1-1/4	RFK2-012	RFK2-012C	RFK3-012	RFK3-012C
1-1/2	RFK2-015	RFK2-015C	RFK3-015	RFK3-015C
2	RFK2-020	RFK2-020C	RFK3-020	RFK3-020C
2-1/2	RFK2-025	RFK2-025C	RFK3-025	RFK3-025C
3	RFK2-030	RFK2-030C	RFK3-030	RFK3-030C
4	RFK2-040	RFK2-040C	RFK3-040	RFK3-040C

## Cut-Out Dimensions

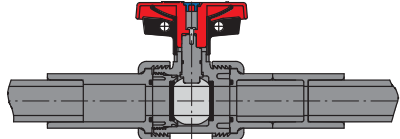
Size	1/2	3/4	1	1-1/4	1-1/2	2	2-1/2	3	4
L	4-29/32	5-7/16	6-3/32	7-1/4	7-1/2	8-17/32	10-3/4	11-7/16	14-15/16



Ball Valve for Replacement



Pipe Laying Length After Cutting



True Union Ball Valve Installed with Retrofit Kit

## True Union Retrofit Kits - Older (Regular Style) Spears® Valves (Socket Style Only)

Kit Size	EPDM		FKM	
	PVC	CPVC	PVC	CPVC
1/2	RFKS2-005	RFKS2-005C	RFKS3-005	RFKS3-005C
3/4	RFKS2-007	RFKS2-007C	RFKS3-007	RFKS3-007C
1	RFKS2-010	RFKS2-010C	RFKS3-010	RFKS3-010C
1-1/4	RFKS2-012	RFKS2-012C	RFKS3-012	RFKS3-012C
1-1/2	RFKS2-015	RFKS2-015C	RFKS3-015	RFKS3-015C
2	RFKS2-020	RFKS2-020C	RFKS3-020	RFKS3-020C
2-1/2	RFKS2-025	RFKS2-025C	RFKS3-025	RFKS3-025C
3	RFKS2-030	RFKS2-030C	RFKS3-030	RFKS3-030C
4	RFKS2-040	RFKS2-040C	RFKS3-040	RFKS3-040C

## Cut-Out Dimensions

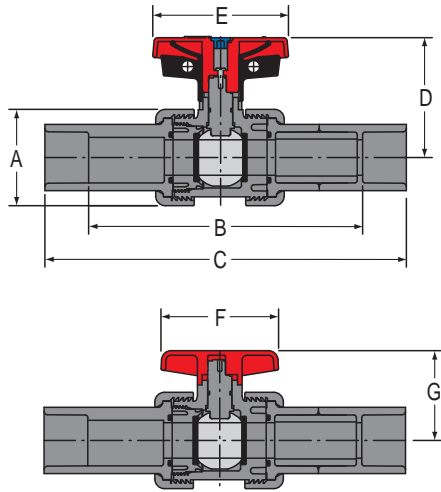
Size	1/2	3/4	1	1-1/4	1-1/2	2	2-1/2	3	4
L	5-5/16	6-1/4	6-11/16	7-1/8	8-3/16	8-15/16	12	12-1/16	13-3/16

# BALL VALVE ACCESSORIES



## True Union 2000 Retrofit Ball Valve Complete replacement valve for older Spears® 2300 series Regular True Union Ball Valves.

Retrofit valve consists of either Spears® Standard or Industrial True Union 2000 Ball Valve supplied with factory installed extended socket end connectors. Simply cut out old valve to specified dimensions (see cut-out dimensions, page 40) and install Retrofit Valve end connectors.



### Dimensions

Size	A ± 1/16	B ± 1/16	C ± 1/16	D ± 1/16	E ± 1/16	F ± 1/16	G ± 1/16
1/2	1-7/8	5-5/16	7-1/16	2-9/16	2-13/16	2-1/2	1-5/8
3/4	2-1/4	6-1/4	8-1/4	2-7/8	3-5/16	3	2
1	2-1/2	6-11/16	8-15/16	3-1/8	3-7/16	3-7/16	2-5/16
1-1/4	3-1/16	7-1/8	9-3/4	3-5/8	3-13/16	3-9/16	2-13/16
1-1/2	3-1/2	8-3/16	10-15/16	4	4-3/16	3-7/8	3-1/16
2	4-1/4	8-15/16	11-15/16	4-1/2	5-1/8	5	3-3/4
2-1/2	6-3/16	12	15-1/2	5-1/8	6-1/4	7-5/16	5-7/8
3	6-3/16	12-1/16	15-7/8	5-7/8	7-5/8	7-5/16	5-7/8
4	7-5/8	13-3/16	19	6-3/4	9-3/16	8-3/8	6-3/4

## True Union 2000 Retrofit Ball Valve - Replaces Older (Regular Style) Spears® Valves

Size	TU 2000 Industrial Retrofit Ball Valves				TU 2000 Standard Retrofit Ball Valves			
	EPDM		FKM		EPDM		FKM	
	PVC	CPVC	PVC	CPVC	PVC	CPVC	PVC	CPVC
1/2	1822RS-005	1822RS-005C	1832RS-005	1832RS-005C	3622RS-005	3622RS-005C	3632RS-005	3632RS-005C
3/4	1822RS-007	1822RS-007C	1832RS-007	1832RS-007C	3622RS-007	3622RS-007C	3632RS-007	3632RS-007C
1	1822RS-010	1822RS-010C	1832RS-010	1832RS-010C	3622RS-010	3622RS-010C	3632RS-010	3632RS-010C
1-1/4	1822RS-012	1822RS-012C	1832RS-012	1832RS-012C	3622RS-012	3622RS-012C	3632RS-012	3632RS-012C
1-1/2	1822RS-015	1822RS-015C	1832RS-015	1832RS-015C	3622RS-015	3622RS-015C	3632RS-015	3632RS-015C
2	1822RS-020	1822RS-020C	1832RS-020	1832RS-020C	3622RS-020	3622RS-020C	3632RS-020	3632RS-020C
2-1/2	1822RS-025	1822RS-025C	1832RS-025	1832RS-025C	3622RS-025	3622RS-025C	3632RS-025	3632RS-025C
3	1822RS-030	1822RS-030C	1832RS-030	1832RS-030C	3622RS-030	3622RS-030C	3632RS-030	3632RS-030C
4	1822RS-040	1822RS-040C	1832RS-040	1832RS-040C	3622RS-040	3622RS-040C	3632RS-040	3632RS-040C

### True Union 2000 Check Valve Seal Carrier Tool

Size	Part Number
1/2	TSK-00503
3/4	TSK-00703
1	TSK-01003
1-1/4	TSK-01203
1-1/2	TSK-01503
2	TSK-02003
3	TSK-03003
4	TSK-04003
6	TSK-06003

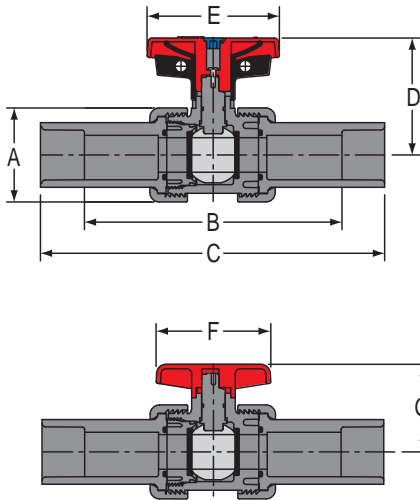


### True Union 2000 Ball Valve Seal Carrier Tool

Size	Part Number
1/2	TSK1-00503
3/4	TSK1-00703
1	TSK1-01003
1-1/4	TSK1-01203
1-1/2	TSK1-01503
2	TSK1-02003
3	TSK-03003
4	TSK-04003
6	TSK-06003



## BALL VALVE ACCESSORIES



### True Union 2000 Retrofit Ball Valve Complete universal replacement valve for domestic and import PVC or CPVC valve.

Retrofit consists of either Spears® Standard or Industrial True Union 2000 Ball Valve supplied with factory installed extended socket end connectors. Simply cut out old valve to specified dimensions (see cut-out dimensions, page 40) and install Retrofit Valve end connectors.

### Dimensions

Size	A ± 1/16	B ± 1/16	C ± 1/16	D ± 1/16	E ± 1/16	F ± 1/16	G ± 1/16
1/2	1-7/8	4-15/16	6-11/16	2-9/16	2-13/16	2-1/2	1-5/8
3/4	2-1/4	5-7/16	7-1/2	2-7/8	3-3/8	3	2
1	2-1/2	6-1/16	8-5/16	3-1/8	3-7/16	3-7/16	2-5/16
1-1/4	3-1/16	7-5/16	9-7/8	3-5/8	3-7/8	3-9/16	2-13/16
1-1/2	3-1/2	7-1/2	10-5/16	4	4-3/16	3-7/8	3-1/16
2	4-1/4	8-1/2	11-1/2	4-1/2	5-1/8	5	3-3/4
2-1/2	6-3/16	10-7/8	14-3/8	5-7/8	7-5/8	7-5/16	5-7/8
3	6-3/16	11-1/2	15-3/16	5-7/8	7-5/8	7-5/16	5-7/8
4	7-5/8	14-3/8	18-15/16	6-3/4	9	8-3/8	6-3/4

### True Union 2000 Retrofit Ball Valve - Replaces Other Brand Valves

Size	TU 2000 Industrial Retrofit Ball Valves				TU 2000 Standard Retrofit Ball Valves			
	EPDM		FKM		EPDM		FKM	
	PVC	CPVC	PVC	CPVC	PVC	CPVC	PVC	CPVC
1/2	1822R-005	1822R-005C	1832R-005	1832R-005C	3622R-005	3622R-005C	3632R-005	3632R-005C
3/4	1822R-007	1822R-007C	1832R-007	1832R-007C	3622R-007	3622R-007C	3632R-007	3632R-007C
1	1822R-010	1822R-010C	1832R-010	1832R-010C	3622R-010	3622R-010C	3632R-010	3632R-010C
1-1/4	1822R-012	1822R-012C	1832R-012	1832R-012C	3622R-012	3622R-012C	3632R-012	3632R-012C
1-1/2	1822R-015	1822R-015C	1832R-015	1832R-015C	3622R-015	3622R-015C	3632R-015	3632R-015C
2	1822R-020	1822R-020C	1832R-020	1832R-020C	3622R-020	3622R-020C	3632R-020	3632R-020C
2-1/2	1822R-025	1822R-025C	1832R-025	1832R-025C	3622R-025	3622R-025C	3632R-025	3632R-025C
3	1822R-030	1822R-030C	1832R-030	1832R-030C	3622R-030	3622R-030C	3632R-030	3632R-030C
4	1822R-040	1822R-040C	1832R-040	1832R-040C	3622R-040	3622R-040C	3632R-040	3632R-040C

### Split-Nut Repair Kits for All True Union 2000 Valves, Union 2000 Pipe Unions and True Union Diaphragm Valves

- Allows replacement of broken Union Nuts
- No Reduction in Valve Operating Pressure
- Kit includes 2-piece Split Nut and SS 316 Gear Clamp
- Simply cut or remove broken nut, align Split-Nut halves around end connector and secure with Gear Clamp. Thread nut onto valve to complete repair.

**Note:** Split-Nut Repair Kit does **NOT** fit Regular Style True Union Valves



Valve Size	PVC Kit	CPVC Kit
1/2	SNK-005	SNK-005C
3/4	SNK-007	SNK-007C
1	SNK-010	SNK-010C
1-1/4	SNK-012	SNK-012C
1-1/2	SNK-015	SNK-015C
2	SNK-020	SNK-020C
2-1/2	SNK-025	SNK-025C
3	SNK-030	SNK-030C
4	SNK-040	SNK-040C

# BALL VALVE ACCESSORIES



Socket End Connector Set (2)

## Supplemental End Connector Sets for All True Union 2000 Valves, Union 2000 Pipe Unions and True Union Diaphragm Valves

- Allows easy conversion of valve end connections due to system change, modification, or inadvertent misorder of product.
- Each set includes 2 each of either Socket, SR Threaded or Spigot End connectors with either EPDM or FKM O-rings installed.

Valve Size	PVC Part Number		CPVC Part Number	
	EPDM O-ring	FKM O-ring	EPDM O-ring	FKM O-ring
1/2	ECS2-005	ECS3-005	ECS2-005C	ECS3-005C
3/4	ECS2-007	ECS3-007	ECS2-007C	ECS3-007C
1	ECS2-010	ECS3-010	ECS2-010C	ECS3-010C
1-1/4	ECS2-012	ECS3-012	ECS2-012C	ECS3-012C
1-1/2	ECS2-015	ECS3-015	ECS2-015C	ECS3-015C
2	ECS2-020	ECS3-020	ECS2-020C	ECS3-020C
2-1/2	ECS2-025	ECS3-025	ECS2-025C	ECS3-025C
3	ECS2-030	ECS3-030	ECS2-030C	ECS3-030C
4	ECS2-040	ECS3-040	ECS2-040C	ECS3-040C
6	ECS2-060	ECS3-060	ECS2-060C	ECS3-060C

SR Threaded End Connector Set (2)

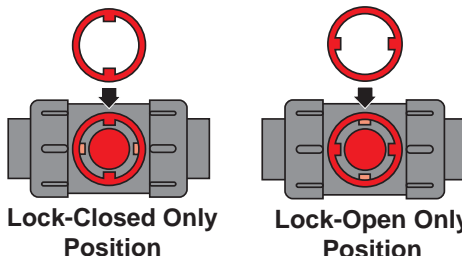
Valve Size	PVC Part Number		CPVC Part Number	
	EPDM O-ring	FKM O-ring	EPDM O-ring	FKM O-ring
1/2	ECSRT2-005	ECSRT3-005	ECSRT2-005C	ECSRT3-005C
3/4	ECSRT2-007	ECSRT3-007	ECSRT2-007C	ECSRT3-007C
1	ECSRT2-010	ECSRT3-010	ECSRT2-010C	ECSRT3-010C
1-1/4	ECSRT2-012	ECSRT3-012	ECSRT2-012C	ECSRT3-012C
1-1/2	ECSRT2-015	ECSRT3-015	ECSRT2-015C	ECSRT3-015C
2	ECSRT2-020	ECSRT3-020	ECSRT2-020C	ECSRT3-020C
2-1/2	ECSRT2-025	ECSRT3-025	ECSRT2-025C	ECSRT3-025C
3	ECSRT2-030	ECSRT3-030	ECSRT2-030C	ECSRT3-030C
4	ECSRT2-040	ECSRT3-040	ECSRT2-040C	ECSRT3-040C
6	ECSRT2-060	ECSRT3-060	ECSRT2-060C	ECSRT3-060C

Spigot End Connector Set (2)

Valve Size	PVC Part Number		CPVC Part Number	
	EPDM O-ring	FKM O-ring	EPDM O-ring	FKM O-ring
1/2	ECSP2-005	ECSP3-005	ECSP2-005C	ECSP3-005C
3/4	ECSP2-007	ECSP3-007	ECSP2-007C	ECSP3-007C
1	ECSP2-010	ECSP3-010	ECSP2-010C	ECSP3-010C
1-1/4	ECSP2-012	ECSP3-012	ECSP2-012C	ECSP3-012C
1-1/2	ECSP2-015	ECSP3-015	ECSP2-015C	ECSP3-015C
2	ECSP2-020	ECSP3-020	ECSP2-020C	ECSP3-020C
2-1/2	ECSP2-025	ECSP3-025	ECSP2-025C	ECSP3-025C
3	ECSP2-030	ECSP3-030	ECSP2-030C	ECSP3-030C
4	ECSP2-040	ECSP3-040	ECSP2-040C	ECSP3-040C
6	ECSP2-060	ECSP3-060	ECSP2-060C	ECSP3-060C

## Handle Lockout Ring for True Union 2000 Industrial Ball Valves

- Use with Built-in Handle Lockout Device
- Allows selective lockout position of Lock-Open Only or Lock-Closed Only
- Simply remove valve handle and install ring below handle lockout mechanism



Valve Size	Part Number
1/2	TU2LR-005
3/4	TU2LR-007
1	TU2LR-010
1-1/4	TU2LR-012
1-1/2	TU2LR-015
2	TU2LR-020
2-1/2 & 3	TU2LR-030
4	TU2LR-040



# BALL VALVE ACCESSORIES



Typical Application  
(VALVE AND RISER NOT INCLUDED)

## Stem Extension Kits

- Kits for True Union 2000 Valves and for Regular True Union, Single Entry or Compact Ball Valves
- Simple 2-Piece Kit for use with existing Valve Handle and Schedule 80 pipe, or can be ordered factory assembled to desired length as 1-piece unit.
- Kit includes 1 - Stem Adapter and 1 - Handle Adapter
- Corrosion resistant PVC construction

## 2-Piece Stem Extension Kit

Valve Size	Part Numbers <sup>1</sup>	
	For True Union 2000, Compact 2000 & Single Entry Ball Valves <sup>2</sup>	For Regular True Union & Compact Ball Valves
1/2	BVSE2-005-000	BVSE-005-000
3/4	BVSE2-007-000	BVSE-007-000
1	BVSE2-010-000	BVSE-010-000
1-1/4	BVSE2-012-000	BVSE-012-000
1-1/2	BVSE2-015-000	BVSE-015-000
2	BVSE2-020-000	BVSE-020-000
2-1/2 & 3	BVSE2-030-000	BVSE-030-000
4	BVSE2-040-000	BVSE-040-000
6	BVSE2-060-000	N/A

1: For factory assembled units replace last 3 zeros with length code. See *Thermoplastic Valves, Strainers & Accessories*, Price Schedule V-1 for length codes.

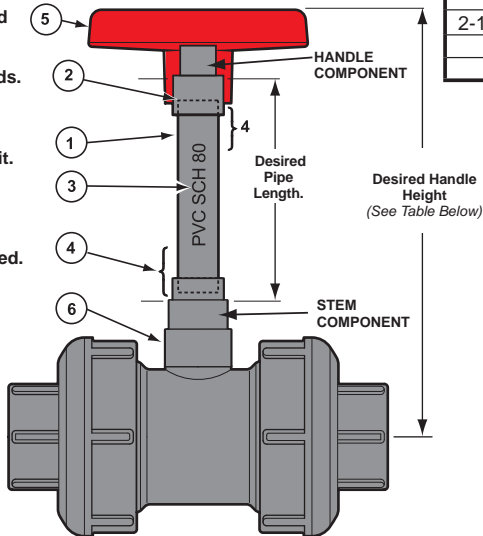
2: Not for use on True Union 2000 Industrial 3-Way Ball Valves

### Required for Assembly:

- Two-Piece Stem Extension Kit
- Desired Length of PVC Schedule 80 Pipe\*
- Saw & Miter Box or Wheel-Type Cutter
- PVC Solvent Cement & Primer
- Black Marker
- Ruler

\* NOT INCLUDED

1. Cut pipe square to desired length (See Table Below).
2. Bevel and deburr pipe ends.
3. Align edge of print string or mark each end of pipe for alignment; check dry fit.
4. Solvent cement components to pipe making sure alignment marks are properly matched.
5. Push valve handle onto extension assembly.
6. Position assembly over valve stem and rotate into place.



Use the Schedule 80 pipe size listed for the appropriate valve size										
Valve Size (in.)	1/2	3/4	1	1-1/4	1-1/2	2	2-1/2	3	4	6
Required Sch 80 Pipe Size	3/4			1				1-1/2		
To calculate the length of Schedule 80 pipe needed, <b>subtract</b> the appropriate figure shown below from the desired handle height										
For True Union 2000 Industrial Ball Valves <sup>1</sup>										
Valve Size (in.)	1/2	3/4	1	1-1/4	1-1/2	2	2-1/2	3	4	6
Subtract (in.)	3-7/8	4	4-5/16	5	5-5/8	6-1/4	8-1/16	8-1/16	9-5/8	10-11/16
Minimum Height (in.)	4-9/16	5-3/16	5-1/2	6-3/4	7-3/8	8	9-13/16	9-13/16	11-5/8	12-3/4
For True Union 2000 Standard, Compact 2000 & Single Entry Ball Valves										
Valve Size (in.)	1/2	3/4	1	1-1/4	1-1/2	2	2-1/2	3	4	N/A
Subtract (in.)	2-1/2	3-1/16	3-9/16	4-1/4	4-5/8	5-11/16	7-11/16	7-11/16	9	N/A
Minimum Height (in.)	3-5/8	4-1/4	4-3/4	6	6-3/8	7-7/16	9-1/2	9-1/2	11	N/A
For Regular True Union & Compact Ball Valves										
Valve Size (in.)	1/2	3/4	1	1-1/4	1-1/2	2	2-1/2	3	4	N/A
Subtract (in.)	3-5/16	4	4-5/16	5-1/8	5-5/8	6-1/16	7-1/8	7-1/8	8-3/8	N/A
Minimum Height (in.)	4-1/2	5-1/4	5-1/2	7	7-1/2	8	9	9	10-1/2	N/A

1: Stem Extension does not permit use of Handle Lockout on True Union 2000 Industrial Ball Valves.



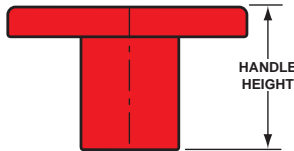
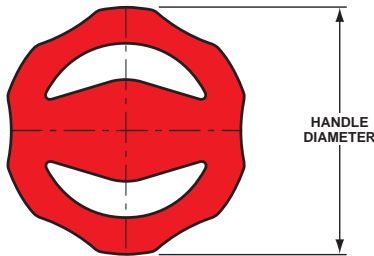
# BALL VALVE ACCESSORIES



## Round Safety Handles

- Handles for True Union 2000 Valves and for Regular True Union, Single Entry or Compact Ball Valves
- Helps prevent accidental operation of valve
- Special design provides positive hand grip
- Impact and corrosion resistant Polypropylene construction

**Note:** Round Handle does not allow use of Handle Lockout on True Union 2000 Industrial Ball Valve. Not for use on True Union 2000 Industrial 3-Way Ball Valve.



*Typical Application  
(VALVE NOT INCLUDED)*

Valve Size	Part Numbers					Handle Height	Handle Diameter
	For TU 2000, Compact 2000, & Single Entry, & Utility Ball Valves		For Regular True Union & Compact Ball Valves				
	3-Slot Stem	1-Slot Stem	3-Slot Stem	1-Slot Stem	Flat/2-D Stem		
1/2	RSH2-005	RSH5-005	RSH-005	RSH6-005	RSH4-005	1-13/32	2-1/2
3/4	RSH2-007	RSH5-007	RSH-007	RSH6-007	RSH4-007	1-9/16	2-7/8
1	RSH2-010	RSH5-010	RSH-010	RSH6-010	RSH4-010	1-9/16	3-1/4
1-1/4	RSH2-012	RSH5-012	RSH-012	RSH6-012	RSH4-012	1-13/16	3-9/16
1-1/2	RSH2-015	RSH5-015	RSH-015	RSH6-015	RSH4-015	1-15/16	4-3/16
2	RSH2-020	RSH5-020	RSH-020	RSH6-020	RSH4-020	2-1/4	5-1/16
2-1/2 & 3	RSH2-030	RSH5-030	NA	NA	RSH-030	2-3/4	6-11/16
4	RSH2-040	RSH5-040	NA	NA	RSH-040	3	8-1/8

## 2" Square / T-Style Operator Nuts

- Operator Nuts for True Union 2000 Valves and for Regular True Union, Single Entry or Compact Ball Valves
- Designed for use with standard 2" square drive or conventional "T" drive operators

**Note :** Not for use on True Union 2000 Industrial 3-Way Ball Valves



Valve Size	Part Numbers		
	All True Union (Reg./2000) Compact, Compact 2000 & Single Entry Ball Valves	For True Union 2000 Industrial, Standard & Single Entry Ball Valves	For Regular True Union & Compact Ball Valves
1/2	VTN2-005	N/A	N/A
3/4	VTN2-007		
1	VTN2-007		
1-1/4	VTN2-012		
1-1/2	VTN2-015		
2	VTN2-020		
2-1/2 & 3	N/A	VTN2-030	VTN-030
4	N/A	VTN2-040	VTN-040



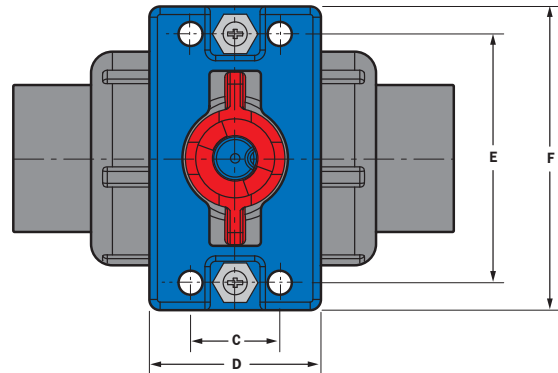
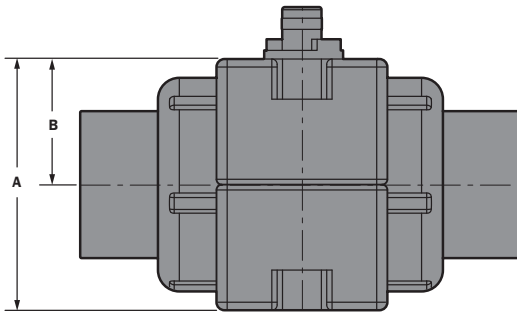
# BALL VALVE ACCESSORIES



## Multi-Mount Valve Mounting Brackets

- Separate Brackets for True Union 2000 Industrial & Standard Ball Valves and for Regular True Union Ball Valves.
- Provides solid, versatile valve mounting to machinery supports, panels, etc.
- Simple 2-piece clamp-on unit allows quick removal of valve for maintenance or servicing without altering position.
- Includes mounting hardware.
- Impact and corrosion resistant Polypropylene construction.
- Easily adapts to actuator mount using optional Multi-Mount Actuator Mounting Platform.

- Notes:**
- 1) Bracket does not fit True Union 2000 Industrial 3-Way Ball Valves.
  - 2) True Union 2000 Valve brackets come with Stainless Steel hardware, Regular True Union brackets come with zinc-plated steel hardware.
  - 3) Will not fit with Low Profile Actuation Mounting Kit.



## Multi-Mount Valve Mounting Brackets

### True Union 2000 Industrial Ball Valve

Valve Size	Part Number	Dimensions					
		A	B	C	D	E	F
1/2	TUMB2-005	2.38	1.19	1.04	1.72	2.46	3.54
3/4	TUMB2-007	2.82	1.41	1.10	1.81	2.75	3.54
1	TUMB2-010	2.98	1.49	1.04	2.00	2.90	3.54
1-1/4	TUMB2-012	3.60	1.80	1.25	2.00	3.50	4.13
1-1/2	TUMB2-015	4.00	2.00	1.38	2.15	3.90	4.53
2	TUMB2-020	5.00	2.50	1.50	2.50	4.50	5.10
2-1/2 & 3	TUMB2-030	6.30	3.15	2.00	3.25	6.25	7.00
4	TUMB2-040	8.25	4.12	2.00	4.10	7.72	8.50

### Regular True Union Ball Valve

Valve Size	Part Number	Dimensions					
		A	B	C	D	E	F
1/2	TUMB-005	2.92	1.46	0.68	1.55	2.25	4.44
3/4	TUMB-007	3.54	1.77	0.94	1.87	2.55	4.87
1	TUMB-010	3.56	1.78	1.05	2.00	2.87	5.12
1-1/4	TUMB-012	3.98	1.99	1.19	2.09	3.25	5.31
1-1/2	TUMB-015	4.54	2.27	1.47	2.47	3.84	5.90
2	TUMB-020	5.56	2.78	1.81	2.75	4.75	7.00
2-1/2 & 3	TUMB-030	7.54	3.77	2.47	3.75	6.87	9.47
4	TUMB-040	9.16	4.58	2.72	4.19	8.28	11.41

# BALL VALVE ACCESSORIES



## Multi-Mount Actuator Mounting Platforms

- Separate Platforms for True Union 2000 Valves and for Regular True Union Ball Valves.
- Add-on actuator adapter for use with Multi-Mount Valve Mounting Bracket (may also be purchased with bracket as complete kit).
- Universal actuator mounting accepts ISO, MSS or comparable square bolt-pattern actuators.
- Impact and corrosion resistant Polypropylene construction.
- Includes hardware for mounting Platform to Bracket

**Notes:**

- 1) True Union 2000 Valve platforms come with Stainless Steel hardware, Regular True Union platform come with zinc-plated steel hardware.
- 2) See Complete Multi-Mount Actuation Mounting Kit for applicable dimensions.

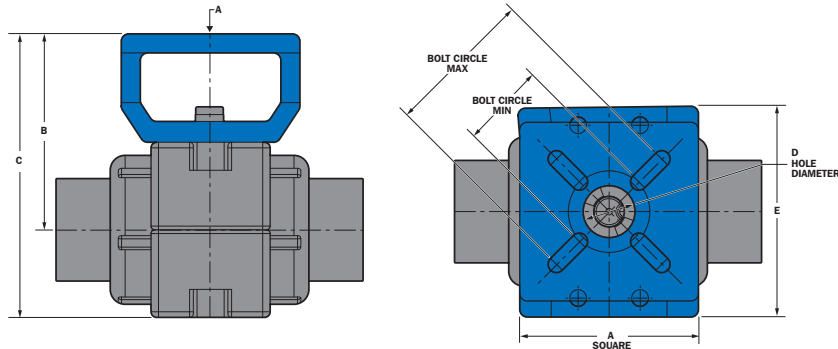
Valve Size	Part Numbers	
	For True Union 2000 Ball Valves	For Regular True Union Ball Valves
1/2	MMP1-005	MMP-005
3/4	MMP1-007	MMP-007
1	MMP1-010	MMP-010
1-1/4	MMP1-012	MMP-012
1-1/2	MMP1-015	MMP-015
2	MMP1-020	MMP-020
2-1/2 & 3	MMP1-030	MMP-030
4	MMP1-040	MMP-040

## Complete Multi-Mount Actuation Mounting Kits



- Separate Platforms for True Union 2000 Industrial Ball Valves & for True Union 2000 Standard Ball Valves and for Regular True Union Ball Valves.
- Combines Multi-Mount Valve Mounting Bracket and Multi-Mount Actuator Mounting Platform into one complete kit.
- Provides solid, fully supported valve and actuator mounting.
- Impact and corrosion resistant Polypropylene construction.
- Bracket and platform hardware included

- NOTES:**
- 1) True Union 2000 Valve kits come with Stainless Steel hardware, Regular True Union kits come with zinc-plated steel hardware.
  - 2) Does not fit True Union 2000 Industrial 3-way Ball Valves
  - 3) Actuator coupling not included (see Valve Stem Output Detail for design of user supplied drive coupling).



Valve Size	True Union 2000 Ball Valves	Regular True Union Ball Valves	Dimensions									
			A	TU 2000 B	Reg. TU B	TU 2000 C	Reg. TU C	D	TU 2000 E	Reg. TU E	Bolt Circle Max	Bolt Circle Min.
1/2	TUAK1-005	TUAK-005	3.00	3.00	3.24	4.19	4.67	.87	3.54	4.44	2.50	1.41
3/4	TUAK1-007	TUAK-007	3.00	3.13	3.46	4.54	5.20	.87	3.54	4.87	2.50	1.41
1	TUAK1-010	TUAK-010	3.00	3.31	3.60	4.88	5.38	.87	3.54	5.12	2.50	1.41
1-1/4	TUAK1-012	TUAK-012	3.75	4.64	4.80	6.44	6.76	.90	4.13	5.31	3.00	1.41
1-1/2	TUAK1-015	TUAK-015	3.75	5.02	5.27	7.02	7.52	.90	4.53	5.90	3.00	1.41
2	TUAK1-020	TUAK-020	3.75	5.52	5.77	8.02	8.52	1.12	5.10	7.00	3.12	1.75
2-1/2 & 3	TUAK1-030	TUAK-030	5.25	6.34	6.91	9.49	10.63	1.37	7.00	9.47	5.00	2.20
4	TUAK1-040	TUAK-040	5.25	7.99	8.36	12.11	12.86	1.37	8.50	11.41	5.00	2.20



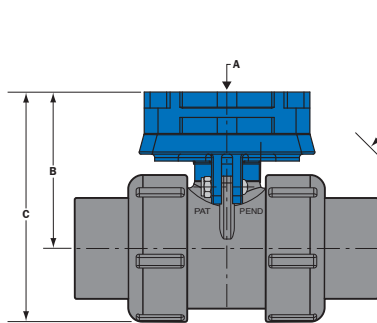
# BALL VALVE ACCESSORIES

## Low Profile Actuation Mounting Kits

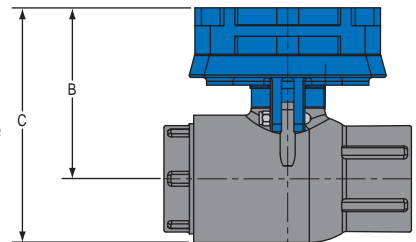
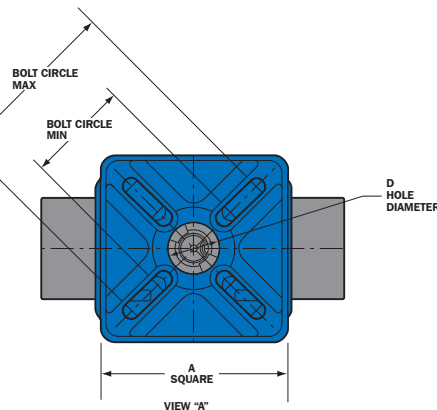


- Separate kits for True Union 2000 Industrial & Industrial 3-Way Ball Valves and for True Union 2000 Standard Ball Valves.
- Compact bolt-on mount provides positive actuator support and alignment.
- Universal actuator mounting plate accepts ISO, MSS or comparable square bolt-pattern actuators.
- Impact and corrosion resistant Polypropylene construction.
- Includes Stainless Steel hardware for mounting to valve.

**Notes:** 1) Actuator coupling not included (see Valve Stem Output Detail for design of user supplied drive coupling).  
 2) Will not assemble with Multi-Mount Valve mounting bracket – See Mini-Mount Actuation Mounting Kit or Mini-Mount Combo Actuation Mounting Kit.



Industrial Ball Valve



Compact Ball Valve

## Dimensions

Valve Size	True Union 2000 Ind Ball Valves	True Union 2000 Std Ball Valves	Compact 66-Series	Dimensions							
				A	TU 2000 B	66 Series B	TU 2000 C	66 Series C	D	Bolt Circle Max.	Bolt Circle Min.
1/2	AMB5-005	AMB6-005		3.18	2.45	2.45	3.38	3.16	0.87	3.00	1.62
3/4	AMB5-007	AMB6-007		3.18	2.61	2.61	3.78	3.50	0.87	3.00	1.75
1	AMB5-010	AMB6-010		3.18	2.77	2.77	4.10	3.79	0.87	3.00	1.75
1-1/4	AMB5-012	AMB6-012		3.68	3.40	3.40	4.97	4.68	0.87	3.75	2.00
1-1/2	AMB5-015	AMB6-015		3.68	3.64	3.64	5.42	5.12	0.87	3.75	2.00
2	AMB5-020	AMB6-020		3.68	4.31	4.31	6.45	6.10	1.12	3.75	2.50
2-1/2 & 3	AMB5-030	AMB6-030	N/A	5.25	5.56	N/A	8.64	N/A	1.96	5.62	4.50
4	AMB5-040	AMB6-040	N/A	5.75	6.11	N/A	9.97	N/A	2.68	5.88	4.80
6	AMB5-060	N/A	N/A	5.75	7.92	N/A	13.73	N/A	2.88	5.88	4.80

# BALL VALVE ACCESSORIES

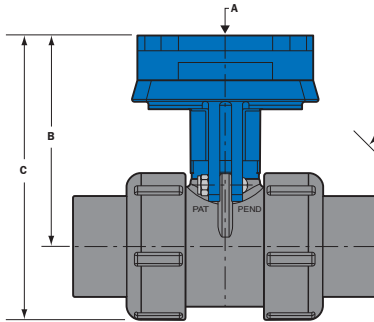


## Mini-Mount Actuation Mounting Kits

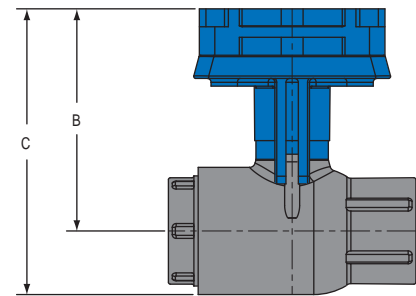
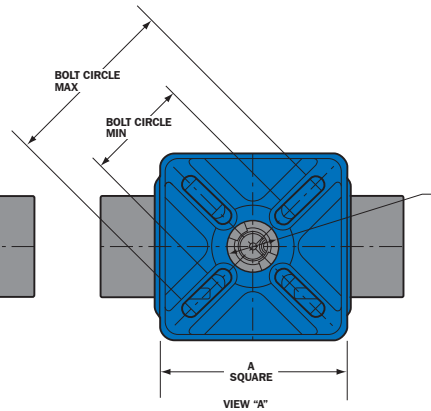


- Separate kits for True Union 2000 Industrial & Industrial 3-Way Ball Valves and for True Union 2000 Standard Ball Valves.
- Simple bolt-on mount provides positive actuator support and alignment.
- Universal actuator mounting plate accepts ISO, MSS or comparable square bolt-pattern actuators.
- Impact and corrosion resistant Polypropylene construction.
- Includes Stainless Steel hardware for mounting to valve.

**Note:** 1) Actuator coupling not included (see Valve Stem Output Detail for design of user supplied drive coupling).



Industrial Ball Valve



Compact Ball Valve

## Dimensions

Valve Size	TU 2000 Ind Ball Valves	TU 2000 Std Ball Valves	Compact 66-Series	Compact 21-Series	Dimensions									
					A	TU 2000 B	66 Series B	21 Series B	TU 2000 C	66 Series C	21 Series C	D	Bolt Circle Max.	Bolt Circle Min.
1/2	AMB2-005	AMB3-005		AMB4-005	3.18	2.95	2.95	2.90	3.88	3.66	3.75	0.87	3.00	1.62
3/4	AMB2-007	AMB3-007		AMB4-007	3.18	3.36	3.36	3.47	4.53	4.25	4.51	0.87	3.00	1.75
1	AMB2-010	AMB3-010		AMB4-010	3.18	3.60	3.60	3.61	4.93	4.62	4.80	0.87	3.00	1.75
1-1/4	AMB2-012	AMB3-012		AMB4-012	3.68	4.37	4.37	4.30	5.94	5.65	5.71	0.87	3.75	2.00
1-1/2	AMB2-015	AMB3-015		AMB4-015	3.68	4.64	4.64	4.60	6.42	6.12	6.22	0.87	3.75	2.00
2	AMB2-020	AMB3-020		AMB4-020	3.68	5.47	5.47	5.32	7.61	7.26	7.38	1.12	3.75	2.50
2-1/2 & 3	AMB2-030	AMB3-030	N/A	AMB4-030	5.25	6.15	N/A	5.87	9.23	N/A	8.87	1.96	5.62	4.50
4	AMB2-040	AMB3-040	N/A	AMB4-040	5.75	6.92	N/A	6.91	10.78	N/A	10.59	2.68	5.88	4.80
6	AMB2-060	N/A	N/A	AMB2-060	5.75	8.31	N/A	8.31	14.12	N/A	13.39	2.88	5.88	4.85



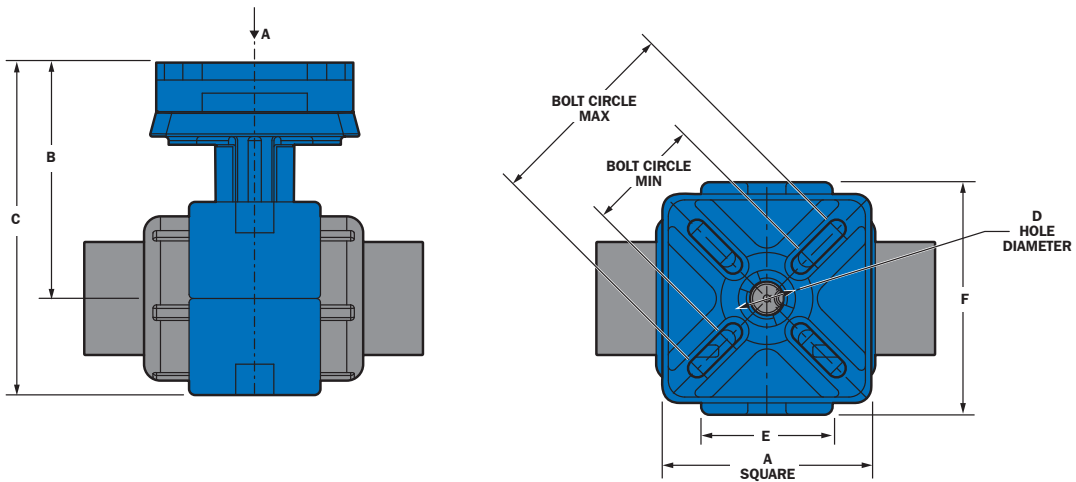
# BALL VALVE ACCESSORIES

## Mini-Mount Combo Actuation Mounting Kits



- Separate, complete actuation mounting kit specially designed for True Union 2000 Industrial Ball Valve and for True Union 2000 Standard Ball Valve.
- Combines Multi-Mount Bracket with Mini-Mount Actuation Mounting Kit for additional mounting support.
- Universal actuator mounting plate accepts ISO, MSS or comparable square bolt-pattern actuators.
- Impact and corrosion resistant Polypropylene construction.
- Includes Stainless Steel hardware for mounting to valve.

**Notes:** 1) Does not fit True Union 2000 Industrial 3-way Ball Valves  
 2) Actuator coupling not included (see Valve Stem Output Detail for design of user supplied drive coupling).



## Dimensions

Valve Size	True Union 2000 Industrial Ball Valves	True Union 2000 Standard Ball Valves	Dimensions							
			A	B	C	D	E	F	Bolt Circle Max.	Bolt Circle Min.
1/2	TUAK2-005	TUAK3-005	3.18	2.95	4.14	.87	1.72	3.54	3.00	1.62
3/4	TUAK2-007	TUAK3-007	3.18	3.36	4.77	.87	1.81	3.54	3.00	1.75
1	TUAK2-010	TUAK3-010	3.18	3.60	5.09	.87	2.00	3.54	3.00	1.75
1-1/4	TUAK2-012	TUAK3-012	3.68	4.37	6.17	.87	2.00	4.13	3.75	2.00
1-1/2	TUAK2-015	TUAK3-015	3.68	4.64	6.64	.87	2.15	4.53	3.75	2.00
2	TUAK2-020	TUAK3-020	3.68	5.47	7.97	1.12	2.50	5.10	3.75	2.50
2-1/2 & 3	TUAK2-030	TUAK3-030	5.75	6.15	9.30	1.96	3.25	7.00	5.62	4.50
4	TUAK2-040	TUAK3-040	5.75	6.92	11.05	2.68	4.10	8.50	5.88	4.80

# BALL VALVE ACCESSORIES



## Valve Stem Output Detail

### For Regular True Union & Compact Ball Valves

Size	A (max.)	B (max.)	C (max.)	D (max.)	E (max.)	Flat (max.)	Fig.
1/2	1.48	.31	.52	.26	.21	N/A	3
3/4	1.88	.35	.56	.28	.21		
1	2.18	.48	.62	.31	.23		
1-1/4	2.66	.66	.56	.28	.19		
1-1/2	2.87	.67	.75	.37	.27		
2	3.60	.89	.95	.47	.31	1.21	1
2-1/2 & 3	4.86	1.01	1.48	N/A	N/A		
4	6.24	1.33	2.12				
6	7.53	1.33	2.12			1.92	

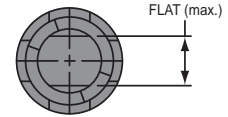
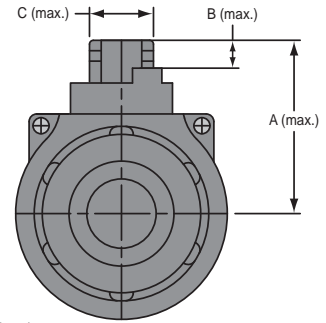


FIG. 1



### For All True Union 2000, Compact 2000, & Single Entry Ball Valves

Size	A (max.)	B (max.)	C (max.)	D (max.)	E (max.)	Flat (max.)	Fig.
1/2	1.43	.26	.52	.26	.21	N/A	3
3/4	1.79	.33	.56	.28	.21		
1	2.10	.41	.62	.31	.23		
1-1/4	2.61	.55	.56	.28	.19		
1-1/2	2.87	.62	.75	.37	.27		
2	3.52	.65	.95	.47	.31	1.92	1
2-1/2 & 3	5.28	1.16	1.28	.63	.56		
4	5.81	.91	1.86	.93	.75		
6	7.53	1.33	2.12	N/A	N/A		

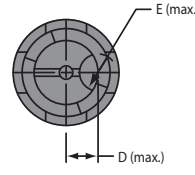


FIG. 2

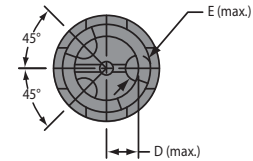
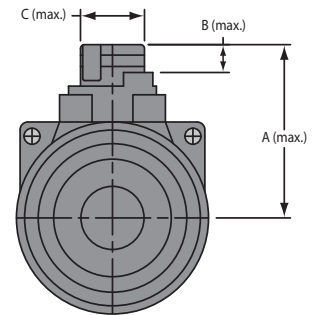


FIG. 3



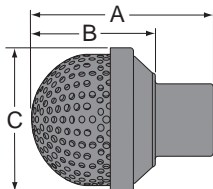
## Foot Valve Screens



- Easily converts Ball Check Valve to a Foot Valve.
- Standard IPS spigot connection fits slip-socket valve end connector.
- Enlarged screen provides open area equivalent to valve for optimum flow characteristics.
- Chemical and corrosion resistant PVC or CPVC construction.



Typical Application  
(VALVE NOT INCLUDED)



## Dimensions

Size	Part Number		A ±1/16	B ±1/32	C ±1/16
	PVC	CPVC			
1/2	FVS-005	FVS-005C	3-7/16	2-1/2	2-1/4
3/4	FVS-007	FVS-007C	3-1/2	2-7/16	2-5/16
1	FVS-010	FVS-010C	3-5/8	2-9/16	2-5/8
1-1/4	FVS-012	FVS-012C	3-7/8	2-9/16	2-5/8
1-1/2	FVS-015	FVS-015C	5-15/32	4-1/64	4-7/16
2	FVS-020	FVS-020C	5-1/2	4-1/64	4-7/16
2-1/2	FVS-025	FVS-025C	6-7/16	4-3/4	5-5/8
3	FVS-030	FVS-030C	6-5/8	4-3/4	5-11/16
4	FVS-040	FVS-040C	6-29/32	4-3/4	5-3/4
6	FVS-060	FVS-060C	7-3/8	4-11/16	7-3/16



# LAB BALL VALVES



## Sample Engineering Specification

All thermoplastic valves shall be sealed unit Lab type constructed from PVC Type I, ASTM D 1784 Cell Classification 12454 or CPVC Type IV, ASTM D 1784 Cell Classification 23447. All O-rings shall be EPDM or FKM. All valves shall have double stop Polypropylene handle. All 1/4" valves shall have optional field installable male thread and tubing end connector adapters. All EPDM valves shall be certified by NSF® International for use in potable water service. All EPDM valves shall be pressure rated at 150 psi for water at 73°F, as manufactured by Spears® Manufacturing Company.

## Quick-View Valve Selection Chart

Valve Size	O-ring Material	PVC Part Number <sup>1,2</sup>			Pressure Rating
		Socket	Threaded	Threaded with Kit	
1/4	EPDM	1522-002	1521-002	1529-002	150 psi Non-Shock Water @ 73°F
	FKM	1532-002	1531-002	1539-002	
3/8	EPDM	1522-003	1521-003	N/A	
	FKM	1532-003	1531-003	N/A	

1: For CPVC Valves, add the letter "C" to part number listed (e.g., 1521-002C)  
 2: For valves with 1/4" I.D. tubing adapters, add the letter "A" to the part number listed (e.g., 1529-002A)

## Valve & Adapter Kit

Kit allows multiple connection options. Adapters use O-ring seals for easy connection to threaded valve. Complete Kit includes:

- 1 – Threaded 1/4" Valve
- 2 – O-ring Sealed 1/4" MPT x Mipt Adapters
- 2 – EPDM or FKM O-rings (AS568-013 size)
- 1 – End Connector Wrench
- 2 – O-ring Sealed 1/4" MPT x 3/8" I.D. Tubing Barb Adapters - OR -
- 2 – O-ring Sealed 1/4" MPT x 1/4" I.D. Tubing Barb Adapters (Must Add "A" to Valve/Kit Part No.)

## Features – PVC, CPVC

This versatile quarter-turn shutoff valve is ideally suited for a variety of laboratory, system monitoring and OEM applications. Available in IPS sizes 1/4" - 3/8" with socket or threaded end connectors, plus 1/4" threaded Valve & Adapter Kit to provide multiple connection options.

- Chemical & Corrosion Resistant PVC or CPVC Construction
- Maintenance-Free Sealed Unit
- Individual Valve or Multi-functional Valve & Adapter Kit
- Schedule 80 Full-Bore Design
- High Impact Polypropylene Handle
- EPDM or FKM O-rings
- PTFE Floating Seat Design
- Sizes 1/4" - 3/8" Pressure Rated to 150 psi @ 73°F
- EPDM Valves NSF® Certified for Potable Water use
- Assembled with Silicone-Free, Water Soluble Lubricant



LAB BALL VALVE WITH ADAPTER KIT

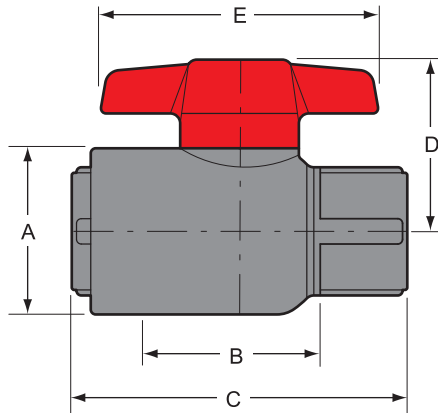
## Lab Ball Valve Adapter Kit Only

Valve Size	O-ring Material	Part Number	
		PVC	CPVC
1/4	EPDM	LVKE-002	LVKE-002C
	FKM	LVKV-002	LVKV-002C

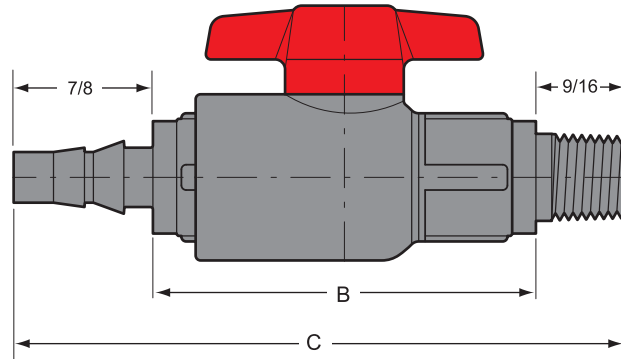
- Kit Includes:**
- 2 – O-rings
  - 1 – End Connector Wrench
  - 2 – 1/4" MPT x Mipt Adapters
  - 2 – 1/4" MPT x 3/8" I.D. Tubing Barb Adapters



# LAB BALL VALVES



**Basic Valve**



**Valve with Adapter Kit**

## Dimensions, Weights & C<sub>v</sub> Values

Nominal Size	Dimension Reference (inches, ± 1/16)					Approx. Wt. (Lbs.)		C <sub>v</sub> <sup>2</sup> Values
	A	B <sup>1</sup>	C	D	E	PVC	CPVC	
1/4	1-1/16	15/16	2-1/8	1-1/16	1-3/4	.10	.11	10
1/4 w/Kit	1-1/16	2-7/16	3-7/8	1-1/16	1-3/4	.14	.15	6
3/8	1-5/16	1	2-3/16	1-1/4	2	.12	.13	24

1: Valve Lay Length

2: Gallons per minute at 1 psi pressure drop. Values calculated from valve laying length, based on derivative of Hazen-Williams equation with roughness factor of C=150.

## Temperature Pressure Rating

System Operating Temperature °F (°C)		73 (23)	100 (38)	110 (43)	120 (49)	130 (54)	140 (60)	150 (66)	160 (71)	170 (77)	180 (82)	190 (88)
Valve Pressure Rating psi (MPa)	PVC	150 (1.03)	124 (.85)	100 (.69)	75 (.52)	-0- (-0-)	-0- (-0-)	-0- (-0-)	-0- (-0-)	-0- (-0-)	-0- (-0-)	-0- (-0-)
	CPVC	150 (1.03)	140 (.97)	130 (.90)	120 (.83)	110 (.76)	100 (.69)	90 (.62)	80 (.55)	70 (.48)	60 (.41)	-0- (-0-)

**NOT FOR DISTRIBUTION OF COMPRESSED AIR OR GASES**



# NEEDLE VALVES



## Features – PVC, CPVC & PP

Needle Valves provide proportional opening to needle travel for more accurate metering applications and other fine adjustment flow control applications. Special design PTFE seal eliminates elastomer type seals or O-rings that can contribute to chemical compatibility problems. PVC, CPVC and Polypropylene valves are available with 1/4", 3/8" and 1/2" NPT female threaded ends in either standard Globe Pattern or special Angle Pattern configuration that eliminates need for additional elbow in various system setups.

- Chemical & Corrosion Resistant PVC, CPVC or PP Construction
- Precision Metering Chamber
- Globe & Angle Body Configurations
- Removable Bonnet For Easy Disassembly & Cleaning
- Solid PTFE Stem Seal - No Elastomer Seal or Lubricants Used
- Built-in Panel or Bracket Mounting Nut
- Easy-Grip Polypropylene Handle
- PVC & CPVC Pressure Rated to 235 psi @ 73°F  
Polypropylene Pressure Rated to 150 psi @ 73°F

## Sample Engineering Specification

All thermoplastic Needle Valves shall be constructed from PVC, ASTM D 1784 Cell Classification 12454, CPVC, ASTM D 1784 Cell Classification 23447, or Polypropylene, ASTM D 4101. All valves shall be globe pattern or angle pattern body configuration with 1/4", 3/8" or 1/2" female NPT end connections. All valves shall have removable bonnet cap with replaceable PTFE seal. No elastomer seals shall be used. All valves shall have built-in panel mounting nut and high impact polypropylene handles. All PVC and CPVC valves shall be pressure rated to 235 psi and all Polypropylene valves to 150 psi for water @ 73°F, as manufactured by Spears® Manufacturing Company.

## Cv Values

Size	Globe Pattern	Angle Pattern
1/4" - 3/8"	.310	.426
1/2"	.62	.78

Gallons per minute at 1 psi pressure drop.

## Quick-View Needle Valve Selection Chart

Valve Size	PVC Part Numbers <sup>1,2</sup>						Pressure Rating
	Globe Pattern			Angle Pattern			
	Socket	SR Threaded	Threaded	Socket	SR Threaded	Threaded	
1/4"	5592-002	N/A	5591-002	5692-002	N/A	5691-002	PVC & CPVC 235 psi, PP 150 psi Non-Shock Water @ 73°F
3/8"	5592-003	5591-003SR	5591-003	5692-003	N/A	5691-003	
1/2"	5592-005	5591-005SR	5591-005	5692-005	5691-005SR	5691-005	

1: For CPVC Valve, add the letter "C" to the part number (e.g. 5591-002C)

2: For threaded Polypropylene Valve, add the letter "P" to the part number (e.g. 5591-002P, 5591-005PSR)

## Temperature Pressure Rating

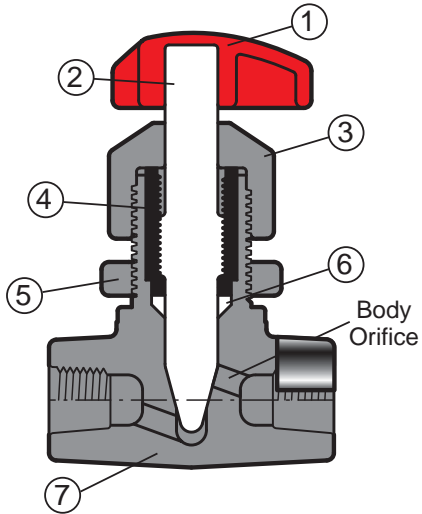
System Operating Temperature °F (°C)		100 (38)	110 (43)	120 (49)	130 (54)	140 (60)	150 (66)	160 (71)	170 (77)	180 (82)	190 (88)	200 (93)	210 (99)	
Valve Pressure Rating psi (MPa)	1/4"-1/2"	PVC	235 (1.62)	211 (1.45)	150 (1.03)	75 (.52)	50 (.34)	-0 (-0-)	-0 (-0-)	-0 (-0-)	-0 (-0-)	-0 (-0-)	-0 (-0-)	
		CPVC	235 (1.62)	219 (1.51)	170 (1.17)	145 (1.00)	130 (.90)	110 (.76)	90 (.62)	80 (.55)	70 (.48)	60 (.41)	50 (.34)	-0 (-0-)
		PP	150	105	90	80	65	50	45	30	20	-0	-0	-0

# NEEDLE VALVES



## Panel Mounting Instructions

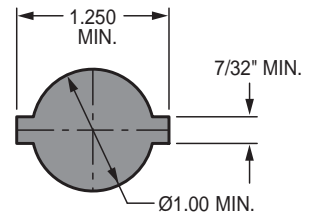
Spears® Needle Valves may be easily mounted to panel or bracket ranging from 3/16" to 1/2" in thickness using the accompanying template. Prepare mounting hole to panel opening dimensions. Slots may be cut in various positions to allow more versatile orientation. Open valve partially. Remove Bonnet Cap with needle assembly (do not fully disassemble) and Panel Nut from valve body. Insert valve body through mounting hole and seat lugs. Reinstall Panel Nut and tighten snug. Carefully reinstall Bonnet Cap and needle assembly, tighten snug. **Caution:** Failure to partially open the valve or back the needle off prior to re-assembly may damage needle when tightening Bonnet Cap.



## Replacement Parts

No.	Component	Qty.	Material
1	Handle	1	PP
2	Needle Stem	1	PVC/CPVC/PP
3	Bonnet Cap	1	PVC/CPVC/PP
4	Stem Nut	1	GFPP
5	Panel Nut	1	PVC/CPVC/PP
6	Seal	1	PTFE
7	Body	1	PVC/CPVC/PP

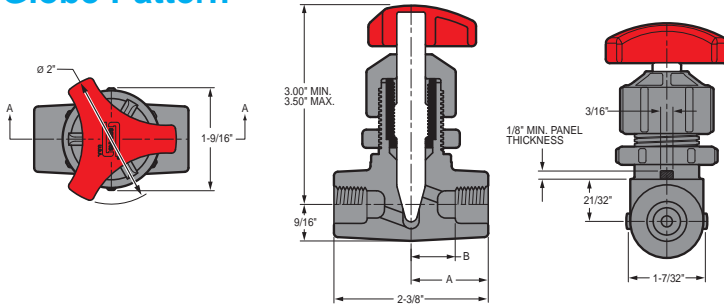
## Panel Opening



## Body Orifice Dimensions

Valve Size	Body Orifice Ø
1/4	3/16"
3/8	3/16"
1/2	1/4"

## Globe Pattern

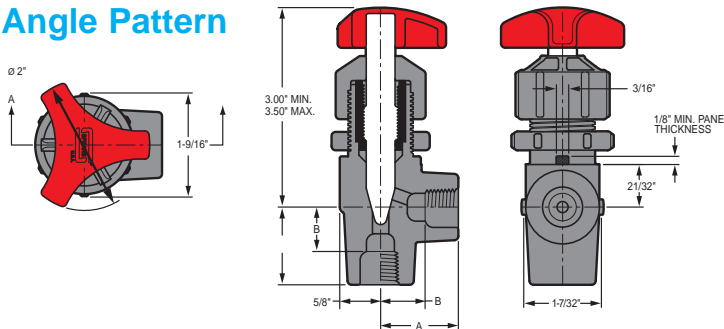


## Dimensions

Valve Size	End Connection	A	B
1/4	Threaded	1-3/16	21/32
	Socket		9/16
3/8	Threaded		9/16
	Socket		7/16
1/2	Threaded	1-3/8	21/32
	Socket		1/2

Threaded Valve Dimensions apply to both Standard and SR Threads.

## Angle Pattern



## Needle Valve Adapter Kit

Valve Size	O-ring Material	Part Number	
		PVC	CPVC
1/4	EPDM	LVKE-002	LVKE-002C
	FKM	LVKV-002	LVKV-002C

### Kit Includes:

- 2 – O-rings
- 1 – End Connector Wrench
- 2 – 1/4" MPT x Mipt Adapters
- 2 – 1/4" MPT x 3/8" I.D. Tubing Barb Adapters



# PLUG GATE VALVES



## Sample Engineering Specification

All thermoplastic valves shall be Plug Gate style constructed from PVC Type I, ASTM D 1784 Cell Classification 12454 or CPVC Type IV, ASTM D 1784 Cell Classification 23447, with Polypropylene bonnets and high impact Polypropylene hand wheel. All valves shall have non-rising stem and Plug-style Polyethylene gate with Strain-Equalizing thread. All valve components shall be replaceable. All 1/2" - 2" valves shall be pressure rated to 235 psi and all flanged valves 1/2" - 8" to 150 psi for water @ 73°F, as manufactured by Spears® Manufacturing Company.

## Quick-View Valve Selection Chart

Valve Size	O-ring Material	PVC Part Numbers <sup>1</sup>			Pressure Rating	
		Socket	SR Threaded	Flanged		
1/2	Buna-N	5212-005	5211-005SR	5213-005	235 psi Non-Shock Water @ 73°F	
	EPDM	5222-005	5221-005SR	5223-005		
	FKM	5232-005	5231-005SR	5233-005		
3/4	Buna-N	5212-007	5211-007SR	5213-007		
	EPDM	5222-007	5221-007SR	5223-007		
	FKM	5232-007	5231-007SR	5233-007		
1	Buna-N	5212-010	5211-010SR	5213-010		
	EPDM	5222-010	5221-010SR	5223-010		
	FKM	5232-010	5231-010SR	5233-010		
1-1/4	Buna-N	5212-012	5211-012SR	5213-012		(Flanged 150 psi Non-Shock Water @ 73°F)
	EPDM	5222-012	5221-012SR	5223-012		
	FKM	5232-012	5231-012SR	5233-012		
1-1/2	Buna-N	5212-015	5211-015SR	5213-015		
	EPDM	5222-015	5221-015SR	5223-015		
	FKM	5232-015	5231-015SR	5233-015		
2	Buna-N	5212-020	5211-020SR	5213-020		
	EPDM	5222-020	5221-020SR	5223-020		
	FKM	5232-020	5231-020SR	5233-020		
6	EPDM	---	---	5223-060		
	FKM	---	---	5233-060		
8	EPDM	---	---	5223-080		
	FKM	---	---	5233-080		

<sup>1</sup>: For CPVC valves, add the letter "C" to the part number (e.g. 5222-005C, 5211-005CSR)

## Features – PVC, CPVC

Spears® Plug Gate Valve utilizes a cylindrical “plug-style” gate for more uniform sealing and positive shutoff. Low-profile, compact design and non-rising stem saves space for the most demanding applications. Spears® Strain-Equalizing stem/wedge design combined with improved Polypropylene bonnet makes this one of the most reliable thermoplastic gate valves available. Valves are produced from PVC or CPVC bodies in IPS sizes of 1/2" - 2" with Socket & SR Threaded or 1/2" - 8" Flanged end connections.

- Chemical & Corrosion Resistant PVC or CPVC Construction with Polypropylene Bonnet
- Polyethylene Plug-Style Gate Provides Cylindrical Internal Seal
- Non-Rising Stem with Patented Strain-Equalizing Threads
- 6" and 8" Valves Features Built-in Position Indicator
- High-Impact Polypropylene Hand Wheel
- Fully Serviceable In-line with Repair Kits or Full Internal Replacement Cartridges
- Buna-N, EPDM or FKM O-ring Seals
- Sizes 1/2" – 2" Pressure Rated to 235 psi @ 73°F Flanged through 8" to 150 psi @ 73°F
- Suitable for Vacuum Service
- Assembled with Silicone-Free, Water Soluble Lubricants
- Optional 2" Square/T-Style Operator Nut available.

## Plug Gate Valve O-ring Repair Kit

All kits include Stem O-ring (2), Bonnet O-ring (1).

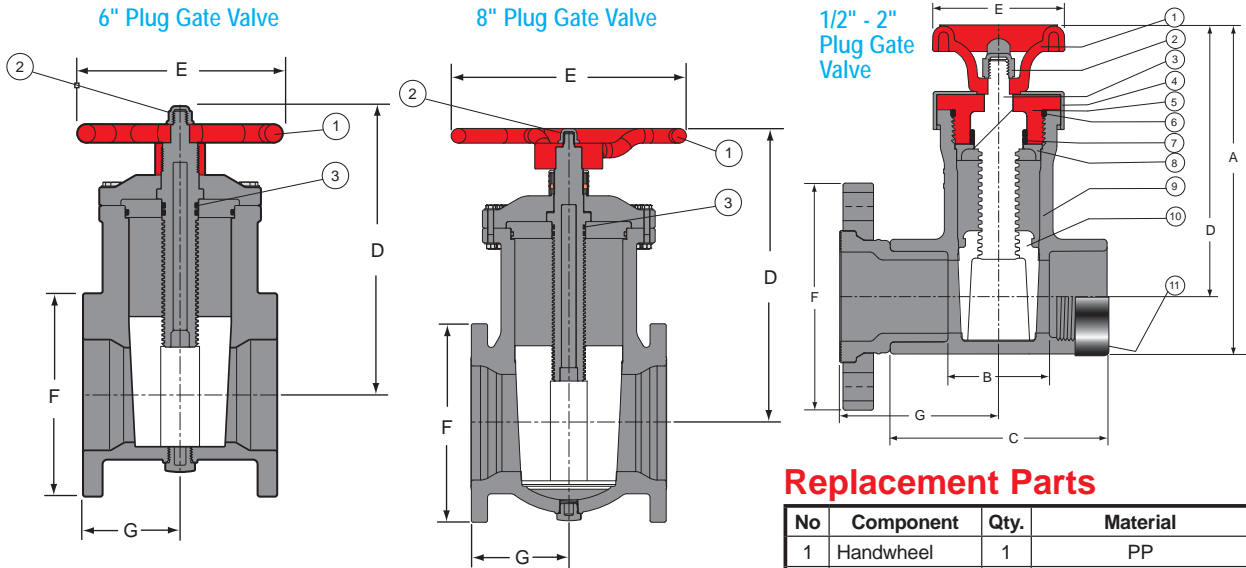
Valve Size	Part Number		
	Buna-N O-ring	EPDM O-ring	FKM O-ring
1/2, 3/4 & 1	PGT-BRK-010	PGT-ERK-010	PGT-VRK-010
1-1/4, 1-1/2 & 2	PGT-BRK-020	PGT-ERK-020	PGT-VRK-020
6	---	PGT-ERK-060	PGT-VRK-060
8	---	PGT-ERK-080	PGT-VRK-080

## Plug Gate Valve Internal Replacement Cartridge

Internal Replacement Cartridge includes complete, fully assembled Handle Nut, Stem O-ring, Bonnet O-ring, and Gate for direct insertion into existing valve body.

Valve Size	Part Number					
	Buna-N O-rings	CPVC w/ Buna-N O-rings	EPDM O-rings	CPVC w/ EPDM O-rings	FKM O-rings	CPVC w/ FKM O-rings
1/2, 3/4 & 1	5210-010	5210-010C	5220-010	5220-010C	5230-010	5230-010C
1-1/4, 1-1/2 & 2	5210-020	5210-020C	5220-020	5220-020C	5230-020	5230-020C
6	---	---	5220-060	5220-060C	5230-060	5230-060C
8	---	---	5220-080	5220-080C	5230-080	5230-080C

# PLUG GATE VALVES



## Replacement Parts

No	Component	Qty.	Material
1	Handwheel	1	PP
2	Nut	1	PVC
3	Stem O-Ring	2	EPDM, FKM

## Replacement Parts

No	Component	Qty.	Material
1	Handwheel	1	PP
2	Nut	1	PVC
3	Stem	1	PP
4	Bonnet Retainer	1	PVC
5	Bonnet	1	PP
6	Bonnet O-ring	1	Buna-N, EPDM, FKM
7	Stem O-ring	2	Buna-N, EPDM, FKM
8	Stem Support	1	PVC/CPVC
9	Body	1	PVC/CPVC
10	Gate	1	PE
11	SS Collar	2	SS 316

## Dimensions & Weights

Nominal Size	Dimension Reference (inches)								Approx. Wt. (Lbs.)			
	A	B		C	D	E	F	G	PVC		CPVC	
		Socket	SR Thread						Soc/Thd	Flanged	Soc/Thd	Flanged
1/2	5	1-1/4	1-11/16	3-1/16	4-1/8	2-5/8	3-1/2	2-11/32	.38	.77	.39	.80
3/4	5	1-1/4	1-15/16	3-5/16	4-1/8	2-5/8	3-7/8	2-1/2	.40	.95	.41	.99
1	5	1-1/4	1-3/4	3-1/2	4-1/8	2-5/8	4-1/4	2-21/32	.43	1.21	.44	1.27
1-1/4	8-5/8	2-21/32	3-7/16	5-1/4	7-1/8	3-7/16	4-5/8	3-5/8	1.84	2.83	1.85	2.89
1-1/2	8-5/8	2-21/32	3-5/8	5-15/32	7-1/8	3-7/16	5	3-15/16	1.94	3.15	1.98	3.27
2	8-5/8	2-21/32	3-27/32	5-23/32	7-1/8	3-7/16	5-15/16	4-5/32	2.11	3.99	2.17	4.18
6	---	---	---	---	15-5/8	10-7/8	11	5-1/4	---	35.53	---	43.56
8	---	---	---	---	20-1/16	16	13-1/2	6-5/8	---	54.59	---	74.55

## Temperature Pressure Rating

System Operating Temperature °F (°C)		100 (38)	110 (43)	120 (49)	130 (54)	140 (60)	150 (66)	160 (71)	170 (77)	180 (82)	190 (88)	200 (93)	210 (99)	
Valve Pressure Rating psi (MPa)	1/2" - 2"	PVC	235 (1.62)	140 (.97)	130 (.90)	90 (.62)	50 (.34)	-0- (-0-)	-0- (-0-)	-0- (-0-)	-0- (-0-)	-0- (-0-)	-0- (-0-)	
		CPVC	235 (1.62)	219 (1.51)	170 (1.17)	145 (1.00)	130 (.90)	110 (.76)	95 (.66)	80 (.55)	70 (.48)	60 (.41)	50 (.34)	-0- (-0-)
	6" - 8"	PVC	150 (1.03)	130 (.90)	110 (.76)	60 (.41)	50 (.34)	-0- (-0-)	-0- (-0-)	-0- (-0-)	-0- (-0-)	-0- (-0-)	-0- (-0-)	-0- (-0-)
		CPVC	150 (1.03)	140 (.97)	130 (.90)	120 (.83)	110 (.76)	100 (.69)	90 (.62)	80 (.55)	70 (.48)	60 (.41)	50 (.34)	-0- (-0-)



## GATE VALVES

### Features – PVC, CPVC

This solid, proven design is well suited for a variety of chemical, industrial and irrigation applications. Spears® Gate Valves are feature-packed with a variety of end connector options. Individual special features are found in each size range 1/2" through 2", 2-1/2" & 3", and in the full featured Heavy Industrial 4" valve. See Spears® Plug Gate Valves for 6" size.

- Heavy Bodied PVC & CPVC Construction
- Tapered Wedge with Specially Designed Sealing Surface
- Non-Rising Stem Design
- Patented Strain-Equalizing Stem/Wedge Thread
- O-ring Stem Seals Instead of Packing - No Retightening Required
- Buna-N, EPDM, or FKM O-ring Seals
- Positive Grip, High Impact Polypropylene Handwheel Operator
- Fully Serviceable, Replaceable Components - Accessible Without Valve Removal
- EPDM Gate Valves NSF® Certified for Potable Water use
- Suitable for Vacuum Service
- Assembled with Silicone-Free, Water Soluble Lubricants
- Metric Socket and BSP Thread Available, 1/2" - 2"



#### 1/2" - 2" PVC & CPVC Heavy Duty Gate Valves

- Available with socket, threaded or flanged end connectors.
- Pressure rated to 200 psi @ 73°F. Flanged Valve Pressure Rated to 150 psi @ 73°F



#### 2-1/2" & 3" PVC & CPVC Heavy Duty Gate Valves

- Available with socket, SR Threaded (Special Reinforced) threaded or flanged end connectors.
- Pressure rated to 150 psi @ 73°F.
- Optional 2" Square/T-Style Operator Nut available.

**Note:** 2-1/2" size is a bushed down 3" valve.



#### 4" PVC & CPVC Heavy Industrial Gate Valves

- Available with socket, SR Threaded (Special Reinforced) threaded or flanged end connectors.
- Pressure rated to 235 psi @ 73°F. Flanged Valve Pressure Rated to 150 psi @ 73°F
- SS 316 Exterior Bonnet & Hardware
- Built-in Quick-View Position Indicator
- Optional 2" Square/T-Style Operator Nut available.

### Sample Engineering Specification

All thermoplastic Gate Valves shall be constructed from PVC Type I Cell Classification 12454 or CPVC Type IV Cell Classification 23447. All O-rings shall be Buna-N, EPDM or FKM. All EPDM valves shall be NSF® certified for potable water use. All valves shall have non-rising stem and Polypropylene handwheel. All valve gate wedges shall have Strain-Equalizing threads. PVC valves shall have Polypropylene wedge and CPVC valves shall have CPVC wedge. All valve components shall be replaceable. All 1/2" through 2" valves shall be pressure rated at 200 psi, all 2-1/2" through 3" and all flanged valves shall be pressure rated at 150 psi, and all 4" valves shall be pressure rated at 235 psi for water at 73°F, as manufactured by Spears® Manufacturing Company.

# GATE VALVES



## Quick-View Valve Selection Chart

Valve Size	O-ring Material	PVC Part Numbers <sup>1</sup>			Pressure Rating	
		Socket	Threaded	Flanged		
1/2	Buna-N	2012-005	2011-005	2013-005	200 psi Non-Shock Water @ 73°F	
	EPDM	2022-005	2011-005	2023-005		
	FKM	2032-007	2031-005	2033-005		
3/4	Buna-N	2012-007	2011-007	2013-007		
	EPDM	2022-007	2021-007	2023-007		
	FKM	2032-007	2031-007	2033-007		
1	Buna-N	2012-010	2011-010	2013-010		
	EPDM	2022-010	2021-010	2023-010		
	FKM	2032-010	2031-010	2033-010		
1-1/4	Buna-N	2012-012	2011-012	2013-012		(Flanged 150 psi Non-Shock Water @ 73°F)
	EPDM	2022-012	2021-012	2023-012		
	FKM	2032-012	2031-012	2033-012		
1-1/2	Buna-N	2012-015	2011-015	2013-015		
	EPDM	2022-015	2021-015	2023-015		
	FKM	2032-015	2031-015	2033-015		
2	Buna-N	2012-020	2011-020	2013-020		
	EPDM	2022-020	2021-020	2023-020		
	FKM	2032-020	2031-020	2033-020		
2-1/2	Buna-N	2012-025 <sup>3</sup>	2011-025 <sup>3</sup>	2013-025 <sup>3</sup>	150 psi Non-Shock Water @ 73°F	
	EPDM	2022-025 <sup>3</sup>	2021-025 <sup>3</sup>	2023-025 <sup>3</sup>		
	FKM	2032-025 <sup>3</sup>	2031-025 <sup>3</sup>	2033-025 <sup>3</sup>		
3	Buna-N	2012-030	2011-030SR	2013-030		
	EPDM	2022-030	2021-030SR	2023-030		
	FKM	2032-030	2031-030SR	2033-030		
4	Buna-N	2012-040	2011-040SR	2013-040	235 <sup>2</sup> psi Non-Shock Water @ 73°F	
	EPDM	2022-040	2021-040SR	2023-040		
	FKM	2032-040	2031-040SR	2033-040		

1: For CPVC valves, add the letter "C" to the part numbers (e.g., 2031-005C).

2: Flanged end connectors have a Maximum Internal Pressure Rating of 150 psi @ 73°F.

3: Outlet sized with bushing.

## C<sub>v</sub> Values

Nominal Size	C <sub>v</sub> <sup>1</sup> Gallons/Minute	
	Socket/Threaded	Flanged
1/2	19	15
3/4	37	29
1	44	39
1-1/4	128	105
1-1/2	144	127
2	333	279
2-1/2	See Note 2	
3	335	323
4	583	566

Flanged valves calculated for additional laying length of flanged valve.

1: Gallons per minute at 1 psi pressure drop.

2: Size 2-1/2" is a reducer bushed down 3" valve, C<sub>v</sub> not available.

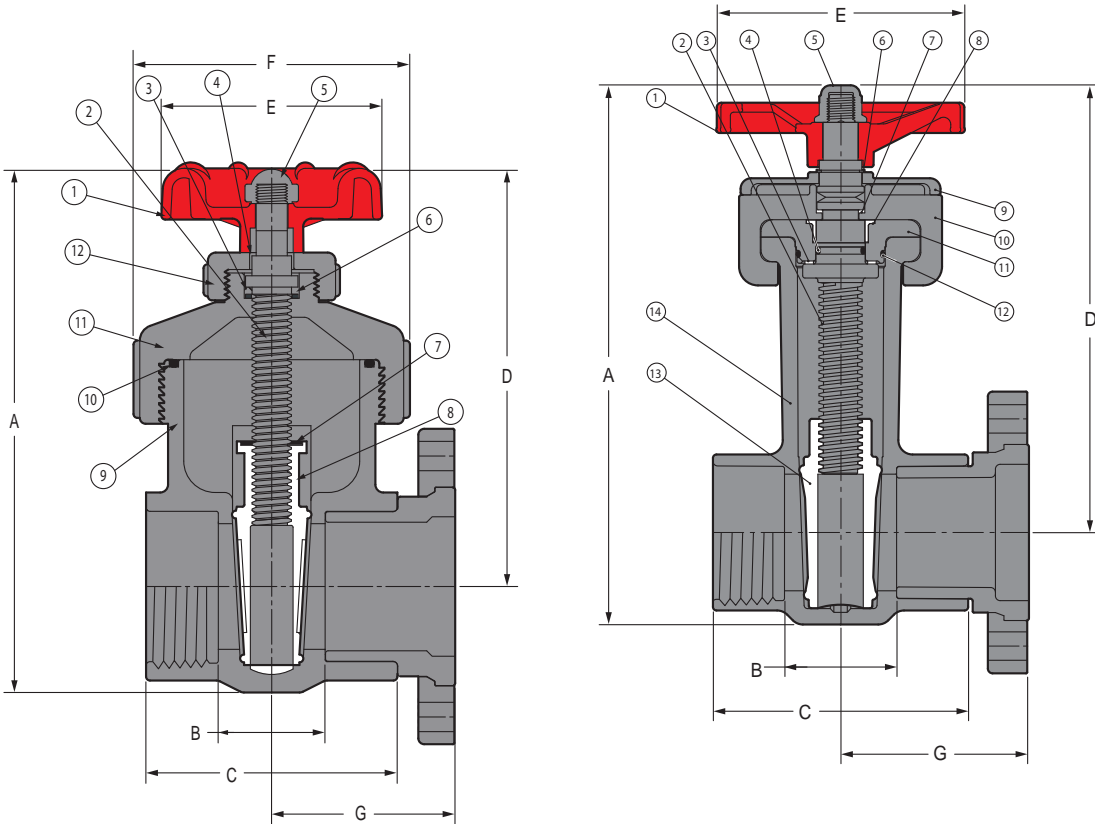
## Temperature Pressure Rating

System Operating Temperature °F (°C)		100 (38)	110 (43)	120 (49)	130 (54)	140 (60)	150 (66)	160 (71)	170 (77)	180 (82)	190 (88)	200 (93)	210 (99)	
Valve Pressure Rating (psi (MPa))	1/2"-2"	PVC	200 (1.38)	135 (.93)	120 (.83)	75 (.52)	50 (.34)	-0- (-0-)	-0- (-0-)	-0- (-0-)	-0- (-0-)	-0- (-0-)	-0- (-0-)	
		CPVC	200 (1.38)	155 (1.07)	140 (.97)	125 (.86)	110 (.76)	100 (.69)	90 (.62)	80 (.55)	70 (.48)	60 (.41)	50 (.34)	-0- (-0-)
	2-1/2"-3"	PVC	150 (1.03)	130 (.90)	110 (.76)	60 (.41)	50 (.34)	-0- (-0-)	-0- (-0-)	-0- (-0-)	-0- (-0-)	-0- (-0-)	-0- (-0-)	-0- (-0-)
		CPVC	150 (1.03)	140 (.97)	130 (.90)	120 (.83)	110 (.76)	100 (.69)	90 (.62)	80 (.55)	70 (.48)	60 (.41)	50 (.34)	-0- (-0-)
	4"	PVC	235 (1.62)	140 (.97)	130 (.90)	90 (.62)	50 (.34)	-0- (-0-)	-0- (-0-)	-0- (-0-)	-0- (-0-)	-0- (-0-)	-0- (-0-)	-0- (-0-)
		CPVC	235 (1.62)	219 (1.51)	170 (1.17)	145 (1.00)	130 (.90)	110 (.76)	95 (.66)	80 (.55)	70 (.48)	60 (.41)	50 (.34)	-0- (-0-)

NOT FOR DISTRIBUTION OF COMPRESSED AIR OR GASES

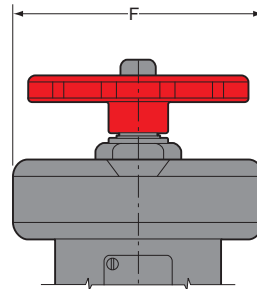


# GATE VALVES



## 1/2" - 2" Replacement Parts

No.	Component	Qty.	Material
1	Handle	1	PP
2	Stem	1	PVC/CPVC
3	Stem O-ring	1	Buna-N/EPDM/FKM
4	Stem Bushing	1	PP
5	Stem Nut	1	PVC/CPVC
6	Stem Washer	1	PP
7	Wedge Washer/O-ring	1	Buna-N/EPDM/FKM
8	Wedge	1	PP/CPVC
9	Body (Socket/Threaded)	1	PVC/CPVC
10	Bonnet O-ring	1	Buna-N/EPDM/FKM
11	Bonnet	1	PVC/CPVC
12	Bonnet Nut	1	PVC/CPVC

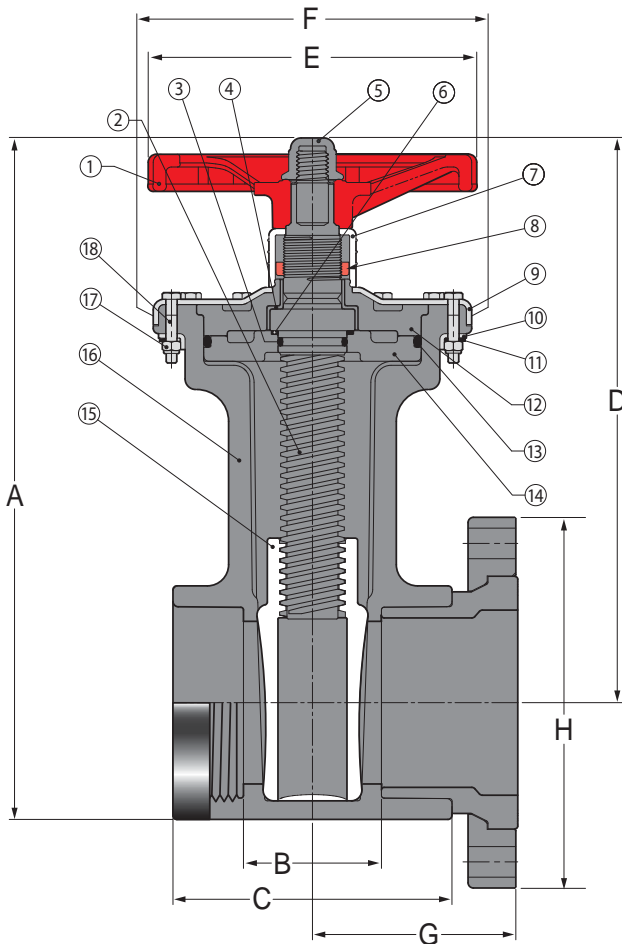


## 2-1/2" & 3" Replacement Parts

No.	Component	Qty.	Material
1	Handle	1	PP
2	Stem	1	PVC/CPVC
3	Stem Bearing	1	PP
4	Stem O-ring	1	Buna-N/EPDM/FKM
5	Stem Nut	1	PVC
6	Stem Retaining Ring	1	SS 316
7	Split Washer	1	PP
8	Stem Bushing	1	PP
9	Bonnet Retainer	1	PVC/CPVC
10	Bonnet Half	2	PVC/CPVC
11	Seal Carrier	1	PVC/CPVC
12	Carrier O-ring	1	Buna-N/EPDM/FKM
13	Wedge	1	PP/CPVC
14	Body	1	PVC/CPVC



# GATE VALVES



## 4" Replacement Parts

No.	Component	Qty.	Material
1	Handle	1	PP
2	Stem	1	PVC/CPVC
3	Stem O-ring	1	Buna-N/EPDM/FKM
4	Stem Bushing	1	PTFE/HDPE
5	Stem Nut	1	PVC/CPVC
6	Stem Washer	1	PP
7	Indicator Cover	1	PVC Clear
8	Indicator Nut	1	PP Yellow
9	Bonnet Retainer	1	SS 316
10	Retainer Bracket	2	SS 316
11	Bracket Lock	1	SS 316
12	Bonnet	1	PVC/CPVC
13	Seal Carrier O-ring	1	Buna-N/EPDM/FKM
14	Seal Carrier	1	PVC/CPVC
15	Wedge	1	PP/CPVC
16	Body	1	PVC/CPVC
17	Locknut	12	SS 316
18	Hex Bolt	12	SS 316

## Dimensions & Weights

Nominal Size	Dimension Reference (inches, ± 1/16)								Approx. Wt. (Lbs.)			
	A	B <sup>1</sup>	C	D	E	F	G	H	PVC		CPVC	
									Soc/Thd	Flanged	Soc/Thd	Flanged
1/2	5-1/8	1-1/4	2-13/16	4-1/8	2-5/8	2-11/16	2-3/8	3-1/2	.51	.92	.56	.98
3/4	5-1/8	1-1/4	2-13/16	4-1/8	2-5/8	2-11/16	2-1/2	3-7/8	.52	1.09	.57	1.16
1	5-13/32	1-1/4	3-5/16	4-5/16	2-5/8	2-15/16	2-3/4	4-1/4	.67	1.46	.73	1.54
1-1/4	8-1/16	1-9/16	3-9/16	6-9/16	3-7/16	3-15/16	3-1/16	4-5/8	1.61	2.58	1.73	2.74
1-1/2	8-1/16	1-9/16	3-3/4	6-9/16	3-7/16	3-15/16	3-7/16	5	1.63	2.81	1.75	3.03
2	8-9/16	1-11/16	3-15/16	6-7/8	3-7/16	4-7/16	3-5/8	6	1.95	3.81	2.15	4.09
2-1/2	14-5/16	3-3/8	7-3/8	11-7/8	6-11/16	7-1/4	5-1/8	7	9.48	11.91	9.60	12.89
3	14-5/16	2-15/16	6-11/16	11-7/8	6-11/16	7-1/4	4-15/16	7-1/2	9.03	12.21	9.43	13.40
4	16	3-3/8	7-15/16	13-1/4	8	7-9/16	4-7/8	9	13.67	18.39	14.66	19.75

1: Valve Lay Length



## 2" Square / T-Style Operator Nuts

- Fits Spears® Gate Valves.
- Combination design for use with either standard 2" square drive or conventional "T" drive operators.

Size	Part Number
1/2, 3/4, 1	GTN-005
1-1/4, 1-1/2, 2	GTN-012
2-1/2 & 3	GTN-030
4	GTN-040



# GLOBE VALVES



## Features - PVC, CPVC

Spears® Globe Valves provide close throttling control throughout the entire range of operation through positive shutoff. This makes the Globe Valve an excellent choice for throttling applications where pressure drop is not critical. Valves are available in PVC and CPVC materials in larger IPS sizes of 2-1/2" through 6" with Flanged end connections.

- Excellent Throttling Characteristics
- Chemical & Corrosion Resistant PVC or CPVC Construction – No Wetted Metal Parts
- Fully Serviceable In-line with Factory Assembled Internal Repair Kit
- Buna-N, EPDM or FKM Seat & Seals
- Sizes 2-1/2" – 6" Pressure Rated to 150 psi @ 73°F
- Suitable for Vacuum Service
- Assembled with Silicone-Free, Water Soluble Lubricants

## Sample Engineering Specification

All thermoplastic Globe valves shall be constructed from PVC Type I, ASTM D 1784 Cell Classification 12454 or CPVC Type IV, ASTM D 1784 Cell Classification 23447. All seals shall be Buna-N, EPDM or FKM. All valves shall have a high impact polypropylene handwheel. All PVC and CPVC 2-1/2" through 6" valves shall be pressure rated to 150 psi for water at 73°F, as manufactured by Spears® Manufacturing Company.

## Quick-View Valve Selection Chart

Valve Size	Seals	PVC Part Numbers <sup>1</sup>	Pressure Rating
		Flanged	
2-1/2	Buna-N <sup>2</sup>	6013-025	150 psi Non-Shock Water @ 73°F
	EPDM	6023-025	
	FKM	6033-025	
3	Buna-N <sup>2</sup>	6013-030	
	EPDM	6023-030	
	FKM	6033-030	
4	Buna-N <sup>2</sup>	6013-040	
	EPDM	6023-040	
	FKM	6033-040	
6	Buna-N <sup>2</sup>	6013-060	
	EPDM	6023-060	
	FKM	6033-060	

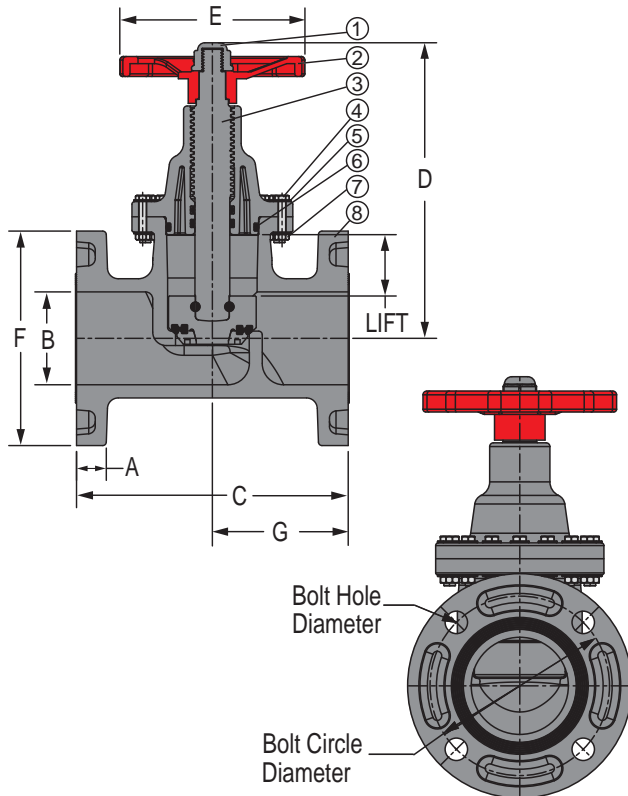
1: For CPVC Globe Valves, add the letter "C" to the part number listed (e.g; 6023-025C).  
2: Valves with Buna-N seals available in PVC only.

## Globe Valve Internal Repair Kit

Internal Repair Kit includes: Bonnet O-ring (1) along with a factory assembled (required) internal component replacement unit consisting of Bonnet assembled with Stem O-rings, Seat and Seal Carrier components. Install in valve using existing valve Bolts, Nuts, Washers and Handle Nut.

Valve Size	Part Number				
	Buna-N O-ring	EPDM O-ring	CPVC w/EPDM O-ring	FKM O-ring	CPVC w/FKM O-ring
2-1/2	GL-BRK-025	GL-ERK-025	GL-ERK-025C	GL-VRK-025	GL-VRK-025C
3	GL-BRK-030	GL-ERK-030	GL-ERK-030C	GL-VRK-030	GL-VRK-030C
4	GL-BRK-040	GL-ERK-040	GL-ERK-040C	GL-VRK-040	GL-VRK-040C
6	GL-BRK-060	GL-ERK-060	GL-ERK-060C	GL-VRK-060	GL-VRK-060C

# GLOBE VALVES



## Replacement Parts

NO.	COMPONENT	QTY.	MATERIAL
1	Handle Nut	1	PVC
2	Handle	1	PP
3	Stem Assembly <sup>1</sup>	1	PVC/CPVC; BUNA-N/EPDM/FKM
4	Hex Bolt	1	SS 316
5	Flat Washer	1	SS 316
6	Bonnet O-ring	1	BUNA-N/EPDM/FKM
7	Hex Nut	1	SS 316
8	Body	1	PVC/CPVC

<sup>1</sup> - Stem Assembly Includes: Stem (1), Bonnet (1), Stem O-rings (2), Dowel Pins (2), Dowel Pin Plugs (2), Seal Carrier (1), Seat (1), Seat Retainer (1)

## C<sub>v</sub> Values

Nominal Size	C <sub>v</sub> <sup>1</sup>
2-1/2	62
3	85
4	125
6	221

<sup>1</sup>: Gallons per minute at 1 psi pressure drop.

## Dimensions

Nominal Size	A	B	C	D (Open)	E	F	G	LIFT	Bolt Circle Diameter	Bolt Hole Diameter	Number of Bolt Holes
2-1/2	1-1/16	3-1/4	9-1/2	12-1/2	6-9/16	7-1/2	4-3/4	2-1/8	5-1/2	3/4	4
3	1-1/16	3-1/4	9-1/2	12-1/2	6-9/16	7-1/2	4-3/4	2-1/8	6	3/4	4
4	1-1/8	4-1/4	11-1/2	13-1/4	11	9	5-3/4	2-3/16	7-1/2	3/4	8
6	1-1/4	6-5/16	16-1/4	17-7/8	11	11	8-1/8	3-1/4	9-1/2	7/8	8

## Temperature Pressure Rating

System Operating Temperature °F (°C)		73 (23)	100 (38)	110 (43)	120 (49)	130 (54)	140 (60)	150 (66)	160 (71)	170 (77)	180 (82)	190 (88)
Valve Pressure Rating psi (MPa)	PVC	150 (1.03)	124 (.85)	100 (.69)	75 (.52)	-0- (-0-)	-0- (-0-)	-0- (-0-)	-0- (-0-)	-0- (-0-)	-0- (-0-)	-0- (-0-)
	CPVC	150 (1.03)	140 (.97)	130 (.90)	120 (.83)	110 (.76)	100 (.69)	90 (.62)	80 (.55)	70 (.48)	60 (.41)	-0- (-0-)



# Y-PATTERN VALVES



## Features - PVC Gray, PVC Clear & CPVC

The Y-Pattern valve is a closing-down, globe type valve design that provides proportional opening to seating disc travel. As such, Y-Pattern valves are ideally suited for flow regulating applications. The Y-pattern configuration reduces pressure loss over that of standard globe valves. Available in IPS Sizes 1/2" - 4" with socket, SR threaded, flanged, socket union or SR threaded union end connectors.

## Sample Engineering Specification

All thermoplastic valves shall be Y-Pattern configuration constructed from PVC, ASTM D 1784 Cell Classification 12454, or CPVC, ASTM D 1784 Cell Classification 23447. All valves shall have Buttress thread bonnet and standard O-ring type seating disc. All O-rings shall be EPDM or FKM. All valves shall have high impact polypropylene handles. All 1/2" - 2" valves shall be pressure rated at 150 psi and all 3" - 4" valves shall be pressure rated at 90 psi for water at 73°F, as manufactured by Spears® Manufacturing Company.

- Chemical & Corrosion Resistant PVC Gray, PVC Clear or CPVC Construction
- Buttress Thread Bonnet
- Fully Serviceable, Replaceable Components
- Standard O-ring Seal Seating Disc & Seals
- EPDM or FKM O-rings
- High Impact Polypropylene Handle
- Assembled with Silicone-Free, Water Soluble Lubricants
- Sizes 1/2" - 2" Pressure Rated to 150 psi @ 73°F, Sizes 3" - 4" Pressure Rated to 90 psi @ 73°F

## Quick-View Valve Selection Chart

Valve Size	O-ring Material	PVC Material <sup>1,2,3</sup>					Pressure Rating
		Socket	SR Threaded	Flanged	Socket Union	SR Threaded Union	
1/2	EPDM	1722-005	1721-005SR	1723-005	172A-005	172B-005SR	150 psi Non-Shock Water @73°F
	FKM	1732-005	1731-005SR	1733-005	173A-005	173B-005SR	
3/4	EPDM	1722-007	1721-007SR	1723-007	172A-007	172B-007SR	
	FKM	1732-007	1731-007SR	1733-007	173A-007	173B-007SR	
1	EPDM	1722-010	1721-010SR	1723-010	172A-010	172B-010SR	
	FKM	1732-010	1731-010SR	1733-010	173A-010	173B-010SR	
1-1/4	EPDM	1722-012	1721-012SR	1723-012	172A-012	172B-012SR	
	FKM	1732-012	1731-012SR	1733-012	173A-012	173B-012SR	
1-1/2	EPDM	1722-015	1721-015SR	1723-015	172A-015	172B-015SR	
	FKM	1732-015	1731-015SR	1733-015	173A-015	173B-015SR	
2	EPDM	1722-020	1721-020SR	1723-020	172A-020	172B-020SR	
	FKM	1732-020	1731-020SR	1733-020	173A-020	173B-020SR	
3	EPDM	1722-030	1721-030SR	1723-030	172A-030	172B-030SR	90 psi Non-Shock Water @73°F
	FKM	1732-030	1731-030SR	1733-030	173A-030	173B-030SR	
4	EPDM	1722-040	1721-040SR	1723-040	172A-040	172B-040SR	
	FKM	1732-040	1731-040SR	1733-040	173A-040	173B-040SR	

1: For CPVC Y-Pattern, add the letter "C" to the part number (e.g. 1722-005C)  
 2: For PVC Clear Y-Pattern, add the letters "CL" to the part number (e.g. 1722-005CL) or (e.g. 172A-005CL)  
 3: For CPVC or Clear Special Reinforced Y-Pattern, (e.g. 1721-005CSR) or (e.g. 1721-005CLSR)

## Replacement Parts

NO.	COMPONENT	QTY.	MATERIAL
1	Body <sup>1</sup> (SOC/SR/FLG/UNION)	1	PVC/CLEAR/CPVC
2	Stem Assembly	1	PVC/CPVC;EPDM/FKM
3	Seal Carrier O-ring	1	EPDM/FKM
4	Bonnet Nut	1	PVC/CPVC
5	Bonnet	1	PVC/CPVC
6	Handwheel	1	PP
7	Stem Nut	1	PVC
8	Union O-ring	2	EPDM/FKM
9	Union Socket End	2	PVC/CPVC
10	Union SR Thread End	2	PVC/CPVC

1 - SR-Fipt Body Includes: Body (1), Spigot Adapters (2), SS Collars (2)  
 - Flange Body Includes: Body (1), Spigot Hubs (2), Flange Rings (2)  
 - Union Body Includes: Body (1), Spigot Ends (2), Nuts (2)  
 2 - Stem Assembly Includes: Stem (1), Seat Retainer (1), Seat Plate (1),  
 Seat (1), Seal Carrier (1), Retainer Plate (1) (Except 4"), Stem O-ring (1)

## Temperature Pressure Rating

System Operating Temperature °F (°C)		100 (38)	110 (43)	120 (49)	130 (54)	140 (60)	150 (66)	160 (71)	170 (77)	180 (82)	190 (88)	200 (93)	210 (99)	
Valve Pressure Rating psi (MPa)	1/2" - 2"	PVC	150 (1.03)	135 (.93)	110 (.76)	75 (.52)	50 (.34)	-0-	-0-	-0-	-0-	-0-	-0-	
		CPVC	150 (1.03)	140 (.97)	130 (.90)	120 (.83)	110 (.76)	100 (.70)	90 (.62)	80 (.55)	70 (.48)	60 (.41)	50 (.34)	-0-
	3" - 4"	PVC	90 (.70)	85 (.62)	75 (.52)	60 (.41)	40 (.30)	-0-	-0-	-0-	-0-	-0-	-0-	-0-
		CPVC	90 (.70)	85 (.62)	80 (.55)	75 (.52)	70 (.48)	60 (.41)	50 (.34)	45 (.31)	40 (.30)	35 (.24)	30 (.21)	-0-

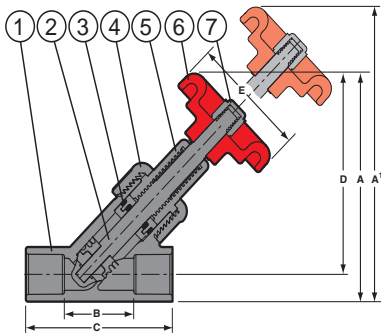
## C<sub>v</sub> Values

Size	Values
1/2	6.7
3/4	12.6
1	22.9
1-1/4	33.8
1-1/2	50.7
2	79.2
3	235
4	387

# Y-PATTERN VALVES

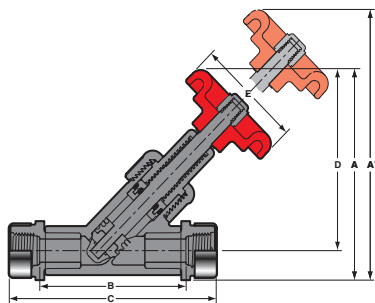


## Socket Y-Pattern Dimensions & Weights



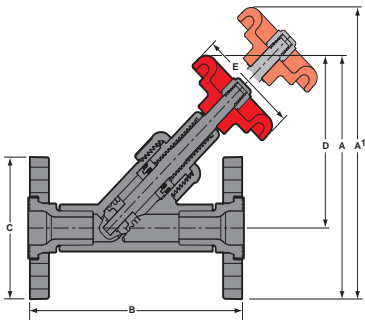
Nominal Size	Dimension Reference (inches, ± 1/16)						Approx. Wt. (Lbs.)	
	A <sup>1</sup>	A	B	C	D	E	Socket	
							PVC	CPVC
1/2	6-3/8	4-9/16	1-5/8	3-3/8	4	2-3/8	.31	.33
3/4	7-1/2	5-1/4	2	4	4-9/16	2-3/8	.50	.53
1	6-15/16	5-7/8	2-1/2	4-3/4	5-1/8	2-3/8	.78	.90
1-1/4	10-15/16	7-5/8	3-1/16	5-9/16	6-1/2	3-1/2	1.21	1.28
1-1/2	12	8-5/8	3-9/16	6-5/16	7-1/2	3-1/2	1.66	1.76
2	13-13/16	9-15/16	4-1/2	7-1/2	8-1/2	3-1/2	2.96	3.10
3	20	14-1/2	6-9/16	10-5/16	12-7/16	6-5/8	5.34	5.64
4	25-1/2	18-1/4	8-5/8	13-1/8	15-5/8	7-15/16	9.97	10.45

## SR Threaded Y-Pattern Dimensions & Weights



Nominal Size	Dimension Reference (inches, ± 1/16)						Approx. Wt. (Lbs.)	
	A <sup>1</sup>	A	B	C	D	E	SR Threaded	
							PVC	CPVC
1/2	6-1/2	4-11/16	3-5/8	5-1/16	4	2-3/8	.31	.33
3/4	7-5/8	5-7/16	4-3/8	5-13/16	4-9/16	2-3/8	.50	.53
1	8-5/8	6-1/8	5-3/16	7	5-1/8	2-3/8	.85	.90
1-1/4	11-1/8	7-3/4	6	7-15/16	6-1/2	3-1/2	1.21	1.28
1-1/2	12-1/4	8-7/8	6-15/16	8-13/16	7-1/2	3-1/2	1.66	1.76
2	14-1/16	10-3/16	8-1/8	10-1/8	8-1/2	3-1/2	2.96	3.10
3	20	14-13/16	11	14-1/4	12-7/16	6-5/8	5.34	5.64
4	25-13/16	18-1/2	14	14-3/4	15-5/8	7-15/16	9.97	10.45

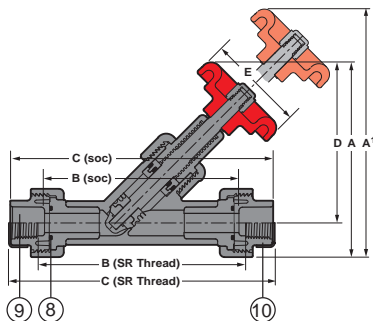
## Flanged Y-Pattern Dimensions & Weights



Nominal Size	Dimension Reference (inches, ± 1/16)						Approx. Wt. (Lbs.)	
	A <sup>1</sup>	A	B	C	D	E	Flanged	
							PVC	CPVC
1/2	7-9/16	5-3/4	5-11/16	3-1/2	4	2-3/8	.82	.85
3/4	8-3/4	6-1/2	6-7/16	3-7/8	4-9/16	2-3/8	1.23	1.28
1	9-3/4	7-1/4	7-1/4	4-1/4	5-1/8	2-3/8	1.70	1.81
1-1/4	12-1/4	8-7/8	8-1/8	4-5/8	6-1/2	3-1/2	2.40	2.52
1-1/2	13-3/8	10	9-3/16	5	7-1/2	3-1/2	3.07	3.25
2	15-3/8	11-1/2	10-3/8	6	8-1/2	3-1/2	5.20	5.42
3	21-11/16	16-3/16	12-1/16	7-1/2	12-7/16	6-5/8	9.44	10.07
4	27-7/16	20-3/16	14-9/16	9-1/16	15-5/8	7-15/16	14.87	16.15

Note: 4" flanged Y-Pattern use split flange ring

## True Union Y-Pattern Dimensions & Weights



Nominal Size	Dimension Reference (inches, ± 1/16)						Approx. Wt. (Lbs.)			
	A <sup>1</sup>	A	B		C		D	E	Union	
			Socket	SR Thread	Socket	SR Thread			PVC	CPVC
1/2	7	5-3/16	5-1/8	5-1/2	6-7/8	7	4-1/4	2-5/8	.59	.62
3/4	8-3/16	6	5-7/8	6-7/16	7-7/8	7-7/8	4-7/8	2-5/8	.97	1.02
1	9-1/8	6-5/8	6-1/2	7-3/8	8-3/4	9	5-3/8	2-5/8	1.33	1.41
1-1/4	11-1/2	8-3/16	7-7/16	6-3/16	9-15/16	10-1/8	6-5/8	3-1/2	1.53	1.63
1-1/2	12-13/16	9-3/8	8-3/16	9	10-15/16	10-15/16	7-9/16	3-1/2	3.06	3.25
2	14-9/16	10-11/16	9-7/16	10-13/16	12-7/16	12-13/16	8-5/8	3-1/2	4.90	5.16
3	21-1/8	15-5/8	13-5/8	15-3/8	17-3/8	18-3/16	12-1/2	6-5/8	14.06	14.37
4	25	19-7/16	17-1/16	19-1/4	21-5/8	22-5/16	7-15/16	7-15/16	17.39	19.23



# WAFER BUTTERFLY VALVES



## Sample Engineering Specification

All thermoplastic valves shall be Wafer Butterfly type constructed from PVC Type I Cell Classification 12454 or CPVC Type IV Cell Classification 23447. All valve seats and O-rings shall be Buna-N, EPDM or FKM. Seat shall be a non-liner type mounted to the valve disc. All valves shall have built-in Santoprene™ Thermoplastic Elastomer (TPE) flange gaskets. Wafer style valves shall be for mounting between two flanges having bolt hole pattern that conform to ANSI/ASME B16.5 CL 150. Disc shall be centered with Type 316L Stainless Steel Stem. Stem shall be isolated from the process medium for dry operation. Lever operated valves shall be equipped with high impact polypropylene handle having 7-position stops and built-in lockout capability. Gear operated valves shall be equipped with position indicator and high impact polypropylene handwheel. Valves shall be pressure rated at 150 psi for water at 73°F, as manufactured by Spears® Manufacturing Company.

## Features - PVC, CPVC

Spears® Wafer Butterfly Valve is a multi-featured design incorporating laying lengths that allow direct replacement of common Cast Iron valves such as Keystone Model 228 and Bray Series 30 Butterfly Valves. Wafer Valves feature built-in Santoprene™ Thermoplastic Elastomer (TPE) flange gaskets, easy operating disc-mounted seat, and fully isolated stem design. Available in sizes 2" through 12", with choice of Buna-N, EPDM or FKM Seats.

- Chemical & Corrosion Resistant PVC or CPVC Construction
- Special Designed Laying Lengths for Direct Replacement of Common Cast Iron Butterfly Valves
- Built-in Santoprene™ Thermoplastic Elastomer (TPE) Gaskets on Valve Flange Faces
- Easy Operating Disc Mounted Seat in Choice of Buna-N, EPDM, or FKM
- Fully Isolated (Dry) Solid Type 316L Stainless Steel Stem
- Reversible High Impact Polypropylene Lever Handle with 7-Position Stops and Built-in Lockout Capability
- Optional High Efficiency Gear Operator with Cast Aluminum Housing, Polypropylene Handwheel and Built-in Position Indicator
- Compatible with ANSI/ASME B16.5 Class 150 Bolt Pattern Flanges
- Pressure Rated to 150 psi for water @ 73°F (23°C)

## PVC Quick-View Valve Selection Chart

Valve Size	O-ring Material	STANDARD VALVE DESIGN			Pressure Rating
		PVC Part Number <sup>1</sup>			
		w/Lever Handle	w/Gear Operator	Valve Only	
2	Buna-N	751311-020	751321-020	751301-020	150 psi Non-Shock Water @ 73°F
	EPDM	752311-020	752321-020	752301-020	
	FKM	753311-020	753321-020	753301-020	
2-1/2	Buna-N	751311-025	751321-025	751301-020	
	EPDM	752311-025	752321-025	752301-025	
	FKM	753311-025	753321-025	753301-025	
3	Buna-N	751311-030	751321-030	751301-030	
	EPDM	752311-030	752321-030	752301-030	
	FKM	753311-030	753321-030	753301-030	
4	Buna-N	751311-040	751321-040	751301-040	
	EPDM	752311-040	752321-040	752301-040	
	FKM	753311-040	753321-040	753301-040	
6	Buna-N	751311-060	751321-060	751301-060	
	EPDM	752311-060	752321-060	752301-060	
	FKM	753311-060	753321-060	753301-060	
8	Buna-N	751311-080	751321-080	751301-080	
	EPDM	752311-080	752321-080	752301-080	
	FKM	753311-080	753321-080	753301-080	
10	Buna-N	751311-100	751321-100	751301-100	
	EPDM	752311-100	752321-100	752301-100	
	FKM	753311-100	753321-100	753301-100	
12	Buna-N	751311-120	751321-120	751301-120	
	EPDM	752311-120	752321-120	752301-120	
	FKM	753311-120	753321-120	753301-120	

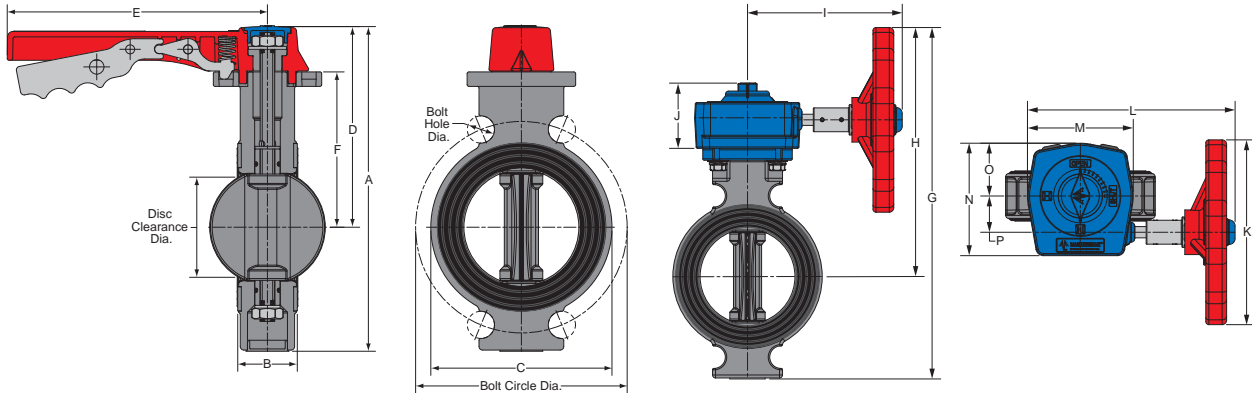
1: For CPVC EPDM & FKM valves, add the letter "C" to part numbers listed (e.g., 752311-030C).

## General Installation Information

Spears® Wafer Butterfly Valves are designed for system connections between two flanges having ANSI B16.5 Class 150 bolt hole patterns. The valve handle (or gear operator) is reversible 180° for either left or right side operation. Wafer Butterfly Valves have built-in flange gaskets and are designed for installation with user supplied hex bolts, nuts and flat washers. The valve must be positioned with gasket areas evenly located between mating flange sealing surfaces. Valve Bolt Specification bolt lengths in table below are minimums based on use of two (2) Spears® flanges, Valve with built-in gaskets, standard S.A.E. hex bolts and Standard Plate "W" Series flat washers.

**Caution:** Spears® Wafer Butterfly Valves are designed for use with flanges or flanged equipment having minimum waterway inside diameter no less than that of Schedule 80 PVC pipe (ASTM D 1785). *Use of smaller inside diameter flange connections may result in obstruction and damage to the valve disc and seat.*

# WAFER BUTTERFLY VALVES



## PVC & CPVC Wafer Butterfly Valve Bolt Specifications & Dimensions

Valve Size	Bolt Diameter (in.)	Bolt Length (in.)	No. of Bolt Holes
2	5/8	4-1/2	4
2-1/2	5/8	5	4
3	5/8	5	4
4	5/8	5-1/2	8
6	3/4	6	8
8	3/4	6-1/2	8
10	7/8	7	12
12	7/8	7-1/2	12

Size	A	B	C	D	E	F	Bolt Circle Dia.	No. of Bolts <sup>1</sup>	Bolt Hole Dia.	Disc Clearance Dia.
2	8-5/8	1-11/16	3-3/4	5-9/16	9	4	4-13/16	4	13/16	1-1/2
2-1/2	9-5/8	1-13/16	4-1/2	6-1/16	9	4-1/2	5-9/16	4	13/16	1-15/16
3	10-1/8	1-13/16	5	6-7/16	9	4-7/8	6-1/8	4	7/8	2-3/4
4	11-13/16	2-1/16	6-1/4	6-15/16	9	5-3/8	7-5/16	4 (8)	15/16	3-7/16
6	14-7/8	2-3/16	8-9/16	9-3/8	11-7/8	7-1/8	9-7/16	4 (8)	7/8	5-7/16
8	17-7/16	2-9/16	10-3/4	10-5/8	13-13/16	8-7/16	11-11/16	4 (8)	15/16	7-3/16

1: Valve is positioned with 4 of 8 required Flange Bolts in sizes 4 to 8 inches.

Size	G	H	I	J	K	L	M	N	O	P
2	12-1/4	9-1/8	6-1/2	2-3/4	8	8-3/4	4-1/2	4-3/4	2-1/4	1-1/2
2-1/2	13-1/8	9-1/2	6-1/2	2-3/4	8	8-3/4	4-1/2	4-3/4	2-1/4	1-1/2
3	13-5/8	10	6-1/2	2-3/4	8	8-3/4	4-1/2	4-3/4	2-1/4	1-1/2
4	14-3/4	10-1/2	6-1/2	2-3/4	8	8-3/4	4-1/2	4-3/4	2-1/4	1-1/2
6	17-3/4	12-1/4	6-1/2	2-3/4	8	8-3/4	4-1/2	4-3/4	2-1/4	1-1/2
8	20-3/8	13-1/2	6-1/2	2-3/4	8	8-3/4	4-1/2	4-3/4	2-1/4	1-1/2
10	24	15-7/8	6-3/4	3	8	9-1/4	5-1/8	5-7/8	2-1/2	2-1/8
12	26-3/8	16-7/8	6-3/4	3	8	9-1/4	5-1/8	5-7/8	2-1/2	2-1/8

## Temperature Pressure Rating

System Operating Temperature °F (°C)		100 (38)	110 (43)	120 (49)	130 (54)	140 (60)	150 (66)	160 (71)	170 (77)	180 (82)	190 (88)	200 (93)	210 (99)
Valve Pressure Rating psi (MPa)	PVC	150 (1.03)	135 (.93)	110 (.76)	75 (.52)	50 (.34)	-0- (-0-)	-0- (-0-)	-0- (-0-)	-0- (-0-)	-0- (-0-)	-0- (-0-)	-0- (-0-)
	CPVC	150 (1.03)	140 (.97)	130 (.90)	120 (.83)	110 (.76)	100 (.70)	90 (.62)	80 (.55)	70 (.48)	60 (.41)	50 (.34)	-0- (-0-)

**NOT FOR DISTRIBUTION OF COMPRESSED AIR OR GASES**



## BUTTERFLY VALVES

### Standard & True Lug Design



Lever Handle



True Lug



Gear Operating



Lug Insert Style



14" Standard  
PVC & CPVC  
Butterfly Valves

### Features - PVC, CPVC

Spears® patented Butterfly Valve design departs from traditional liner-seat type valve to eliminate seat creep, reduce operating torque and provide positive seal-off. Ideally suited for flow control or throttling, this high-performance valve is offered with a full variety of options for greater application versatility in industrial and chemical processing applications. Available in IPS sizes 1-1/2" - 14" in Standard or 1-1/2" - 12" True Lug (factory installed lugs) style.

- Special off-set Disc lifts quickly from seat to reduce wear and reduce operating torque.
- Patented Limited Contact Seat design provides free travel - eliminates seat creep, extrusion and wear. Field replaceable without full valve disassembly.
- Interlocking Body & Seat prevents wash-out or blow-out.
- Buna-N, EPDM or FKM Seat & Seals
- Fully Isolated Solid Type 316L Stainless Steel Stem
- Reversible High Impact Polypropylene Lever Handle with 7-Position stops & Built-in Lockout (standard handle on 1-1/2" - 8" valves; not available on 10" & larger valves)
- High Efficiency Gear Operator with Cast Aluminum Housing, Polypropylene Handwheel, and Built-in Position Indicator (available for all sizes; standard on 10" & larger valves)
- Lug Insert Style valve has factory installed SS316 or zinc plated steel lug inserts.
- Standard valve accepts field-installable Lug Inserts Set option
- True Lug design has factory installed zinc plated or SS 316 lugs and is specially designed for connection to either side of valve.
- Pressure Rated to 150 psi @ 73°F including Dead-End Service.
- ANSI/ASME B16.5 Class 150 Bolt Pattern
- Valves with EPDM Seals & Seats are NSF® Certified for Potable water use.

### Sample Engineering Specification

All thermoplastic valves shall be Butterfly type constructed from PVC Type I Cell Classification 12454 or CPVC Type IV Cell Classification 23447. All valve seats and O-rings shall be Buna-N, EPDM or FKM. Seat shall be a non-liner type interlocked to valve body. Bolt hole patterns shall conform to ANSI/ASME B16.5 Class 150. Disc shall be offset design with fully isolated Type 316L stainless steel stem and Type 316 stainless steel hardware. Lever operated valves shall be equipped with high impact polypropylene handle having built-in lockout capability. Gear operated valves shall be equipped with position indicator and high impact polypropylene handwheel. Valve bodies shall accept field installable lug inserts or shall be factory installed lug inserts, or be True Lug type. Lugs shall be stainless steel or zinc plated steel. Valves shall be pressure rated at 150 psi for water at 73°F through 12", as manufactured by Spears® Manufacturing Company.

### Optional Accessories

- PTFE Coated Stem
- Stem Extension Kit
- PTFE Seat Sleeve
- Lever Handle Kit (standard on 1-1/2" - 8" valves)
- Gear Operator Kit (standard on 10" & larger valves)
- T-Handle Kit
- Field Installable Lug Insert Sets (for Standard valve)
- Speed Handle (for gear operated valves)
- 2" Square/T-Style Operator Nut (for gear operated valves)
- Chainwheel Operator Kit (for gear operated valves)
- Positive Stem Stop (for gear operated valves)
- Submersible Gear Operators

\* See "BUTTERFLY VALVE ACCESSORIES" section for details of individual products.



# BUTTERFLY VALVES



## Standard & Lug Insert Style Quick-View Valve Selection Chart

Valve Size	O-ring Material	STANDARD VALVE DESIGN			LUG INSERT VALVE DESIGN			Pressure Rating
		PVC Part Number <sup>1</sup>			PVC Part Number <sup>1</sup> Installed with 316 Stainless Steel Lug Inserts <sup>2,3,4</sup>			
		w/Lever Handle	w/Gear Operator	Valve Only	w/Lever Handle	w/Gear Operator	Valve Only	
1-1/2	Buna-N	721311-015	721321-015	721301-015	721311G-015	721321G-015	721301G-015	150 psi Non-Shock Water @ 73°F
	EPDM	722311-015	722321-015	722301-015	722311G-015	722321G-015	722301G-015	
	FKM	723311-015	723321-015	723301-015	723311G-015	723321G-015	723301G-015	
2	Buna-N	721311-020	721321-020	721301-020	721311G-020	721321G-020	721301G-020	
	EPDM	722311-020	722321-020	722301-020	722311G-020	722321G-020	722301G-020	
	FKM	723311-020	723321-020	723301-020	723311G-020	723321G-020	723301G-020	
2-1/2	Buna-N	721311-025	721321-025	721301-025	721311G-025	721321G-025	721301G-025	
	EPDM	722311-025	722321-025	722301-025	722311G-025	722321G-025	722301G-025	
	FKM	723311-025	723321-025	723301-025	723311G-025	723321G-025	723301G-025	
3	Buna-N	721311-030	721321-030	721301-030	721311G-030	721321G-030	721301G-030	
	EPDM	722311-030	722321-030	722301-030	722311G-030	722321G-030	722301G-030	
	FKM	723311-030	723321-030	723301-030	723311G-030	723321G-030	723301G-030	
4	Buna-N	721311-040	721321-040	721301-040	721311G-040	721321G-040	721301G-040	
	EPDM	722311-040	722321-040	722301-040	722311G-040	722321G-040	722301G-040	
	FKM	723311-040	723321-040	723301-040	723311G-040	723321G-040	723301G-040	
6	Buna-N	721311-060	721321-060	721301-060	721311G-060	721321G-060	721301G-060	
	EPDM	722311-060	722321-060	722301-060	722311G-060	722321G-060	722301G-060	
	FKM	723311-060	723321-060	723301-060	723311G-060	723321G-060	723301G-060	
8	Buna-N	721311-080	721321-080	721301-080	721311G-080	721321G-080	721301G-080	
	EPDM	722311-080	722321-080	722301-080	722311G-080	722321G-080	722301G-080	
	FKM	723311-080	723321-080	723301-080	723311G-080	723321G-080	723301G-080	
10	Buna-N	10" AND LARGER NOT AVAILABLE WITH LEVER HANDLE	721321-100	721301-100	10" AND LARGER NOT AVAILABLE WITH LEVER HANDLE	721321G-100	721301G-100	
	EPDM		722321-100	722301-100		722321G-100	722301G-100	
	FKM		723321-100	723301-100		723321G-100	723301G-100	
12	Buna-N		721321-120	721301-120		721321G-120	721301G-120	
	EPDM		722321-120	722301-120		722321G-120	722301G-120	
	FKM		723321-120	723301-120		723321G-120	723301G-120	
14	EPDM		722321-140	722301-140		--	--	
	FKM		723321-140	723301-140		--	--	

- 1: For CPVC valves, add the letter "C" to part numbers listed (e.g., 722311-030C).  
 2: For factory installed Lug Insert Valve with Zinc Plated Lugs, substitute the letter "G" with the letter "K" (e.g. 721311K-030)  
 3: For True Lug Design Valve with Stainless Steel Lugs, substitute the letter "G" with the letter "L" (e.g. 721311L-030).  
 4: For True Lug Design Valve with Zinc Plated Steel Lugs, substitute the letter "G" with the letter "Z" (e.g. 721311Z-030).  
**Note:** Optional BFV with submersible gear operators available, inquire with Spears®.

## Temperature Pressure Rating

System Operating Temperature °F (°C)		100 (38)	110 (43)	120 (49)	130 (54)	140 (60)	150 (66)	160 (71)	170 (77)	180 (82)	190 (88)	200 (93)	210 (99)
Valve Pressure Rating psi (MPa)	PVC	150 (1.03)	135 (.93)	110 (.76)	75 (.52)	50 (.34)	-0- (-0-)	-0- (-0-)	-0- (-0-)	-0- (-0-)	-0- (-0-)	-0- (-0-)	-0- (-0-)
	CPVC	150 (1.03)	140 (.97)	130 (.90)	120 (.83)	110 (.76)	100 (.70)	90 (.62)	80 (.55)	70 (.48)	60 (.41)	50 (.34)	-0- (-0-)

See dimensions and additional Technical Information on following pages

**NOT FOR DISTRIBUTION OF COMPRESSED AIR OR GASES**



## BUTTERFLY VALVES

### Polypropylene



### Sample Engineering Specification

All thermoplastic valves shall be Butterfly type constructed from Polypropylene, ASTM D 4101. All valve seats and O-rings shall be Buna-N, EPDM or FKM. Seat shall be a non-liner type interlocked to valve body. Bolt hole pattern shall conform to ANSI/ASME B16.5 Class 150. Disc shall be offset design with fully isolated, Type 316L stainless steel stem and Type 316 stainless steel hardware. Lever operated valves shall be equipped with high impact polypropylene handle having built-in lockout capability. Gear operated valves shall be equipped with position indicator and high impact polypropylene handwheel. Valves shall be pressure rated at [see table] for water at 73°F, as manufactured by Spears® Manufacturing Company.

**Material Note:** UV Stabilized Polypropylene with beige pigment sizes 1-1/2" - 12" are glass reinforced, sizes 14" - 24" are not.

### Features

Spears® patented Butterfly Valve design departs from traditional liner-seat type valve to eliminate seat creep, reduce operating torque and provide positive seal-off. Broad range of chemical resistance makes Polypropylene well suited for industrial and chemical processing applications. Designed for flow control or throttling, this high-performance valve is offered with a full variety of options for greater application versatility. Available in IPS sizes 1-1/2" - 24" with custom produced 30" to 60" valves available.

- UV Stabilized Polypropylene Construction
- Special off-set Disc lifts quickly from seat to reduce wear and reduce operating torque.
- Patented Limited Contact Seat design provides free travel - eliminates seat creep, extrusion and wear. Field replaceable without full valve disassembly.
- Interlocking Body & Seat prevents wash-out or blow-out.
- Buna-N, EPDM or FKM Seat & Seals
- Solid Type 316L Stainless Steel Stem, fully isolated from process fluids
- Reversible High Impact Polypropylene Lever Handle with 7-Position stops & Built-in Lockout (standard handle on 1-1/2" - 8" valves; not available on 10" & larger valves)
- High Efficiency Gear Operator with Cast Aluminum Housing, Polypropylene Handwheel, and Built-in Position Indicator (available for all sizes; standard on 10" & larger valves)
- Pressure ratings include Dead-End Service (See Chart).
- ANSI/ASME B16.5 Class 150 Bolt Pattern

### Optional Accessories

- PTFE Coated Stem
- Stem Extension Kit
- PTFE Seat Sleeve (through 12" size)
- Lever Handle Kit (standard on 1-1/2" - 8" valves)
- Gear Operator Kit (standard on 10" & larger valves)
- T-Handle Kit
- Speed Handle (for gear operated valves)
- 2" Square/T-Style Operator Nut (for gear operated valves)
- Chainwheel Operator Kit (for gear operated valves)
- Positive Stem Stop (for gear operated valves)
- Submersible Gear Operators

\* See "BUTTERFLY VALVE ACCESSORIES" section for details of individual products.

See dimensions and additional Technical Information on following pages

# BUTTERFLY VALVES



## Polypropylene Quick-View Valve Selection Chart

Valve Size	O-ring Material	w/Lever Handle	w/Gear Operator	Valve Only	Pressure Rating
1-1/2	Buna-N	721311-015P	<b>Special Order</b>	721301-015P	150 psi Non-Shock Water @ 73°F
	EPDM	722311-015P	<b>Special Order</b>	722301-015P	
	FKM	723311-015P	<b>Special Order</b>	723301-015P	
2	Buna-N	721311-020P	721321-020P	721301-020P	
	EPDM	722311-020P	722321-020P	722301-020P	
	FKM	723311-020P	723321-020P	723301-020P	
2-1/2	Buna-N	721311-025P	721321-025P	721301-025P	
	EPDM	722311-025P	722321-025P	722301-025P	
	FKM	723311-025P	723321-025P	723301-025P	
3	Buna-N	721311-030P	721321-030P	721301-030P	
	EPDM	722311-030P	722321-030P	722301-030P	
	FKM	723311-030P	723321-030P	723301-030P	
4	Buna-N	721311-040P	721321-040P	721301-040P	
	EPDM	722311-040P	722321-040P	722301-040P	
	FKM	723311-040P	723321-040P	723301-040P	
6	Buna-N	721311-060P	721321-060P	721301-060P	
	EPDM	722311-060P	722321-060P	722301-060P	
	FKM	723311-060P	723321-060P	723301-060P	
8	Buna-N	721311-080P	721321-080P	721301-080P	
	EPDM	722311-080P	722321-080P	722301-080P	
	FKM	723311-080P	723321-080P	723301-080P	
10	Buna-N	10" and Larger not available with Lever Handle	721321-100P	721301-100P	
	EPDM		722321-100P	722301-100P	
	FKM		723321-100P	723301-100P	
12	Buna-N		721321-120P	721301-120P	
	EPDM		722321-120P	722301-120P	
	FKM		723321-120P	723301-120P	
14	Buna-N		—	—	
	EPDM		722321-140P	722301-140P	
	FKM		723321-140P	723301-140P	
16	Buna-N		—	—	
	EPDM		722321-160P	722301-160P	
	FKM		723321-160P	723301-160P	
18	Buna-N		—	—	
	EPDM		722321-180P	722301-180P	
	FKM		723321-180P	723301-180P	
20	Buna-N		—	—	
	EPDM		722321-200P	722301-200P	
	FKM		723321-200P	723301-200P	
24	Buna-N		—	—	
	EPDM		722321-240P	722301-240P	
	FKM		723321-240P	723301-240P	

Note: 30" - 60" Polypropylene Butterfly Valves produced to order

## Temperature Pressure Rating

System Operating Temperature °F (°C)		100 (38)	110 (43)	120 (49)	130 (54)	140 (60)	150 (66)	160 (71)	170 (77)	180 (82)	190 (88)
Valve Pressure Rating psi (MPa)	1-1/2"-12"	150 (1.03)	105 (.72)	90 (.62)	80 (.55)	65 (.45)	50 (.34)	45 (.31)	30 (.21)	20 (.14)	-0-
	14"	100 (.69)	70 (.48)	60 (.41)	53 (.37)	43 (.26)	33 (.23)	30 (.21)	20 (.14)	13 (.09)	-0-
	16"	85 (.59)	60 (.41)	51 (.35)	45 (.31)	37 (.26)	28 (.19)	26 (.18)	17 (.12)	11 (.08)	-0-
	18"	70 (.48)	49 (.34)	42 (.29)	37 (.26)	30 (.21)	23 (.16)	21 (.14)	14 (.10)	9 (.06)	-0-
	20"-24"	50 (34)	35 (.24)	30 (.21)	27 (.19)	22 (.15)	17 (.12)	15 (.10)	10 (.07)	7 (.05)	-0-



# BUTTERFLY VALVES

## High Purity TFM Lined



### Features - CPVC

This advanced technology TFM Lined valve is specially designed and produced for applications requiring high purity and maximum chemical resistance. Spears® exclusive component-interface seal fully isolates process media to disc and liner contact only. Custom produced in sizes 2" through 6".

- Direct disc-to-liner seal between ECTFE fluoropolymer disc and TFM liner for positive shut-off. Specially designed offset disc lifts quickly from sealing surface to minimize wear and reduce operating torque.
  - Special disc-to-liner interface isolates valve components from process media. Eliminates stem and elastomer backing seal contact with process fluids. In the unlikely event of seal failure, leakage is expelled externally to protect process integrity. TFM skirt is integrally formed as part of the liner to isolate the CPVC body.
  - Solid, fully isolated type 316 stainless steel stem is additionally PTFE coated as a safeguard.
  - Lug style, chemical and corrosion resistant CPVC body features integrally molded actuation mounting pad and provides increased temperature handling capability to 200°F.
- 316 stainless steel Lug Inserts provide quick single-side valve installation and easy system add-on.
  - Low Profile Gear Operator features high efficiency worm gear drive with built-in position indicator and high impact polypropylene handwheel. Operator housing is powder coated for improved cleanliness. Reversible for either right or left side operation.
  - 150 psi Maximum Internal Pressure rating at 73°F.

### Sample Engineering Specification

All thermoplastic Butterfly Valves shall be constructed from CPVC Type IV Cell Classification 23447 with TFM liner and ECTFE disc. Disc and liner interface shall isolate valve components and elastomeric seals from process media. Valve Stem shall be PTFE coated type 316 stainless steel. Body shall be lug style with 18-8 stainless steel or type 316 stainless steel lugs. Bolt hole patterns shall conform to ANSI/ASME B16.5 Class 150. Valve shall be gear operated with powder coated operator housing, position indicator, and high impact polypropylene handwheel. Valve shall be pressure rated at 150 psi for water at 73°F, as manufactured by Spears® Manufacturing Company.

### Factory Reconditioning

In the event of damage, this maintenance-free valve can be factory reconditioned in order to maintain optimum serviceability and assure proper component isolation function. Valve reconditioning is made on an exchange basis with original limited warranty. Contact Spears® Technical Services for additional information.

### Material Specifications

#### Media Contact Components:

- Liner/seat** TFM (Hostaflon® — modified - PTFE)
- Disc** ECTFE (HALAR® — ethylene chlorotrifluoroethylene)

#### No Media-Contact Components:

- Body** CPVC (chlorinated polyvinylchloride)
- Stem** Type 316 Stainless Steel, PTFE coated
- O-ring Backing** FKM (fluorocarbon)
- Bushings** Glass Reinforced Polypropylene blend / Polyurethane
- Gear Operator** Die Cast Aluminum
- Handwheel** Polypropylene

### Quick-View Valve Selection Chart

Valve Size	Part Number	Pressure Rating
2	253322-020	150 psi Non-Shock Water @ 73°F
3	253322-030	
4	253322-040	
6	253322-060	

**NOTE:** High Purity TFM Lined Butterfly Valve has the same basic dimensions as Spears® Standard Butterfly Valve.

HALAR® is a registered trademark of Ausimont, Inc.  
Hostaflon® is a registered trademark of Hoechst Celanese Corporation.



## PVC Pool Butterfly Valves



### Features - PVC White

Distinct White Body with Blue Handle readily identifies this high quality PVC Butterfly Valve specifically designed for chlorinated water applications such as swimming pools. Fully isolated, non-wetted stainless steel stem with limited-contact EPDM seat provides maximum resistance to chlorinated water with superior ease of operation. Available in IPS sizes 1-1/2" through 12".

- White PVC Valve with Blue PP Handle provides easy application identification for chlorinated water
- Type 316L non-wetted stainless steel stem is fully isolated from system fluid, but still compatible with chlorinated water
- Patented limited-contact seat is field replaceable
- High-grade EPDM seat & seals
- Blue polypropylene lever handle with built-in lockout (10" & 12" valves are gear operated only)
- Optional gear operated valve with powder coated cast aluminum housing and Blue polypropylene handwheel
- ANSI/ASME B16.5 Class 150 bolt pattern flange connection
- All sizes pressure rated to 150 psi @ 73°F
- Optional SS 316 field-installable Lug Inserts sets
- Pneumatic or electric actuation available

### Sample Engineering Specification

All Pool Butterfly Valves shall be constructed from PVC with EPDM seals suitable for chlorinated water applications. Valve body shall be white (gray disc) with blue handle for application identification. All handles shall be high impact polypropylene. Lever handles shall have built-in lockout capability. Stem shall be Type 316L stainless steel and non-wetted. Valve bodies shall have ANSI/ASME B16.5 bolt patterns and accept optional field installable lug inserts. Valves shall be pressure rated at 150 psi for water at 73°F, as manufactured by Spears® Manufacturing Company.

### Quick-View Valve Selection Chart

PVC Lever Handle with EPDM Seat		
Size	Part Number	Pressure Rating
1-1/2	682311-015	150 psi Non-Shock Water @ 73°F
2	682311-020	
2-1/2	682311-025	
3	682311-030	
4	682311-040	
6	682311-060	
8	682311-080	
PVC Gear Operated with EPDM Seat		
Size	Part Number	Pressure Rating
1-1/2	682321-015	150 psi Non-Shock Water @ 73°F
2	682321-020	
2-1/2	682321-025	
3	682321-030	
4	682321-040	
6	682321-060	
8	682321-080	
10	682321-100	
12	682321-120	

**CAUTION:** THE POOL BUTTERFLY VALVE IS NEITHER INTENDED NOR WARRANTED FOR INDUSTRIAL OR CHEMICAL PROCESSING APPLICATIONS

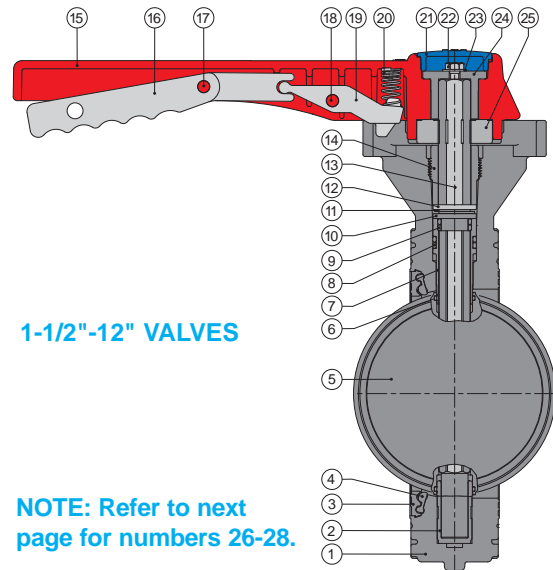


# BUTTERFLY VALVES

## Replacement Parts for 1-1/2" - 12" PVC & CPVC Standard, True Lug and Polypropylene Valves

No	Component	Qty.	Material
1	Body	1	PVC/CPVC
2	Stem Bearing	1	PTFE/GFPP
3	Seal Carrier	1	PVC/CPVC/PP
4	Seat	1	Buna-N, EPDM, FKM
5	Disc	1	PVC/CPVC/PP
6	Disc O-ring	2	Buna-N, EPDM, FKM
7	Stem Bushing	1	PTFE/GFPP
8	Stem Bushing O-ring	2	Buna-N, EPDM, FKM
9	Stem O-ring	2	Buna-N, EPDM, FKM
10	Stem Washer - Hex	1	PTFE
11	Stem Washer - Slot*	1-2	SS 316
12	Stem Washer - Round	1	PTFE/GFPP
13	Stem	1	SS 316
14	Stem Nut	1	PVC/CPVC
15	Handle Body	1	PP
16	Handle Grip	1	GFPVC
17	Grip Pin	1	PP
18	Lock Pin	1	PP
19	Handle Lock	1	GFPVC
20	Handle Spring	1	SS 316
21	Handle Cover	1	PP
22	Hex Bolt	1	SS 316
23	Flat Washer	1	SS 316
24	Handle Bushing	1	GFPVC
25	Disc Timing Stop	1	CPVC
26	Lug Insert	4-12	SS/Zinc Plated Steel
27	Gear Operator Assembly	1	Cast Aluminum
28	Hand Wheel	1	PP
<b>True Lug Only (not shown):</b>			
Seal Carrier Flange Plate	1	PVC/CPVC	
Lug & Nut	4-12	SS/Zinc Plated Steel	
Plate O-ring	1	Buna-N, EPDM, FKM	

**Notes:** \*2-Slotted washers used on 6" & larger  
 1: See 14"-24" PP valve illustration for Gear Operator Components, No. 8 - 16



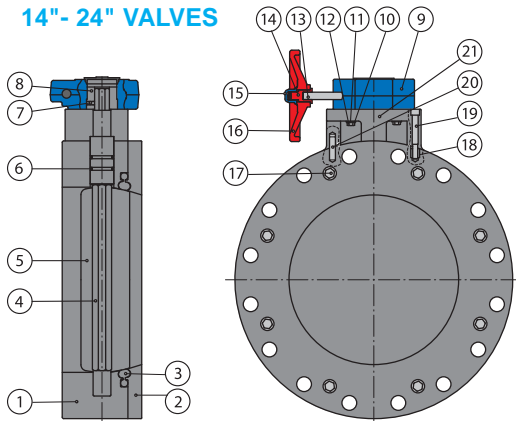
1-1/2"-12" VALVES

NOTE: Refer to next page for numbers 26-28.

## Replacement Parts for 14" - 24" Polypropylene Valves

No.	Component	Qty	Material
1	Body	1	PP
2	Seal Carrier	1	PP
3	Seat	1	EPDM/FKM
4	Stem	1	SS 316L
5	Disc	1	PP
6	Stem O-ring	2	EPDM/FKM
7	Set Screw	1	Steel
8	Drive Bushing	1	Steel
9	Gear Operator	1	Epoxy Coated Aluminum
10	Flat Washer	4	SS 316
11	Lock Washer	4	SS 316
12	Hex Head Cap Screw	4	SS 316
13	Handwheel Pin	1	SS 316
14	Handwheel Adapter	1	GFPVC
15	Handwheel Nut	1	PP
16	Handwheel	1	PP
17	Hex Bolts	6-12	Nylon
18	Thread Insert	2	Steel
19	Hex Head Cap Screws	2	SS 316
20	Dowel Pin	1	Steel
21	Tower	1	PP

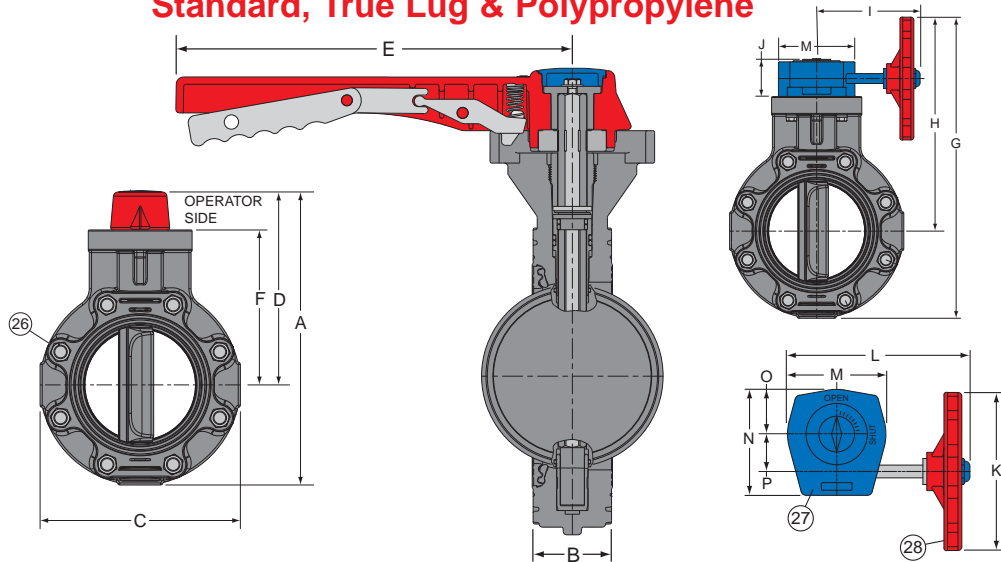
14" - 24" VALVES



# BUTTERFLY VALVES



## Standard, True Lug & Polypropylene



## Dimensions

Nominal Size	Pressure Rating <sup>1</sup> (psi)	A	B		C	D	E	F	G
			Standard, Lug Insert, & Polypropylene	True Lug					
1-1/2	150	8-5/32	1-9/16	2-1/4	5	5-19/32	9-3/32	4-3/32	11-5/32
2	150	9-11/32	1-15/16	2-9/16	6	6-13/32	9	4-3/4	13-1/8
2-1/2	150	10-9/32	2	2-3/4	7	6-25/32	9-1/4	5-1/4	13-1/8
3	150	11-1/2	2-3/32	2-13/16	7-1/2	7-27/32	12	5-5/8	14-5/32
4	150	13	2-9/32	3	9	8-1/2	12	6-1/4	15-5/8
6	150	16-19/32	2-3/4	3-13/32	10-31/32	11-3/32	13-7/8	8-19/32	19-7/32
8	150	18-5/8	2-15/16	3-23/32	13-1/2	12	13-15/16	9-1/2	21-7/16
10	150	N/A	3-1/4	4-1/4	16	N/A	N/A	11	26-5/8
12	150	N/A	3-1/2	4-1/2	19	N/A	N/A	12	29-1/8
14	100 <sup>2</sup>	N/A	6-1/4	N/A	21	N/A	N/A	13-3/16	29
16	85 <sup>2</sup>	N/A	6-3/4	N/A	23-1/2	N/A	N/A	14-7/16	31-1/2
18	70 <sup>2</sup>	N/A	7-1/8	N/A	25	N/A	N/A	15-3/16	33
20	50 <sup>2</sup>	N/A	7-3/4	N/A	27-1/2	N/A	N/A	16-7/16	35-1/2
24	50 <sup>2</sup>	N/A	8-7/16	N/A	32	N/A	N/A	18-11/16	40
30-60	Contact Spears® for 30" to 60" Valve Dimensions								

Nominal Size	H	I	J	K	L	M	N	O	P
1-1/2	8-21/32	6-7/16	2-3/8	8	8-13/16	4-13/16	5-3/16	2-13/16	1-27/32
2	10-1/8	6-7/16	2-3/8	8	8-13/16	4-13/16	5-3/16	2-13/16	1-27/32
2-1/2	9-5/8	6-7/16	2-3/8	8	8-13/16	4-13/16	5-3/16	2-13/16	1-27/32
3	10-17/32	6-7/16	2-3/8	8	8-13/16	4-13/16	5-3/16	2-13/16	1-27/32
4	11-1/8	6-7/16	2-3/8	8	8-13/16	4-13/16	5-3/16	2-13/16	1-27/32
6	13-23/32	6-7/16	2-13/32	7-15/16	8-7/8	4-27/32	5-5/32	2-7/32	1-27/32
8	14-11/16	6-7/16	2-13/32	7-15/16	8-7/8	4-27/32	5-3/16	2-7/32	1-27/32
10	18-5/8	7-1/8	2-3/8	8	9-13/16	5-3/8	5-15/16	2-7/16	2-11/32
12	19-5/8	7-1/8	2-3/8	8	9-13/16	5-3/8	5-15/16	2-7/16	2-11/32
14	18-1/2	7-3/8	2-9/16	8	10-13/16	6-7/8	7-7/16	3-1/8	3
16	19-3/4	7-3/8	2-9/16	8	10-13/16	6-7/8	7-7/16	3-1/8	3
18	20-1/2	7-3/8	2-9/16	8	10-13/16	6-7/8	7-7/16	3-1/8	3
20	21-3/4	7-3/8	2-9/16	8	10-13/16	6-7/8	7-7/16	3-1/8	3
24	24	7-3/8	2-9/16	8	10-13/16	6-7/8	7-7/16	3-1/8	3
30-60	Contact Spears® for 30" to 60" Valve Dimensions								

1: Maximum Internal Pressure Rating @ 73°F

2: Additional pressure rating is possible with attention to flow direction.



# BUTTERFLY VALVES

## C<sub>v</sub> Values & Operating Torque

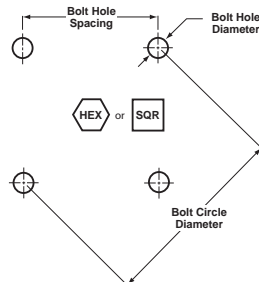
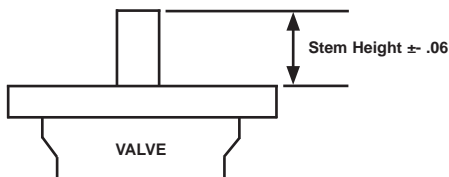
Valve Size	C <sub>v</sub> <sup>1</sup> Degrees Open						Operating <sup>2</sup> Torque (in.-lbs.)
	15°	30°	45°	60°	75°	90°	
1-1/2	2	8	20	36	61	81	100
2	3	11	27	49	82	109	110
2-1/2	5	19	48	86	144	192	206
3	9	35	86	155	259	345	360
4	10	41	103	185	308	411	420
6	28	113	281	506	844	1125	720
8	56	225	562	1012	1687	2249	1200
10	111	444	1110	1998	3330	4440	1320
12	158	631	1577	2839	4732	6309	1920
14	176	705	1762	3172	5286	7048	See Notes
16	211	846	2114	3805	6341	8455	
18	273	1092	2730	4914	8190	10920	
20	355	1418	3545	6381	10635	14180	
24	467	1866	4665	8397	13995	18660	

1: Gallons per minute at 1 psi pressure drop.

2: Operating torque for large diameter valves varies significantly with system operating pressure, flow direction and velocity. Contact Spears® for torque requirement based on application.

## Actuator Mounting Dimensions For Custom Actuation

Size	Bolt Hole Spacing		Bolt Hole Diameter		Bolt Circle Diameter		Hex	Square	Stem Height	
	Standard	Wafer	Standard	Wafer	Standard	Wafer	+0.000 -0.006	+0.000 -0.002	Standard	Wafer
							Standard	Wafer		
1-1/2	1.95	N/A	.34	N/A	2.75	N/A	.375	N/A	.75	N/A
2	1.95	2.47	.34	.40	2.75	3.50	.500	.375	.75	1.30
2-1/2	1.95	2.47	.34	.40	2.75	3.50	.500	.375	.75	1.34
3	2.65	2.47	.41	.40	3.75	3.50	.563	.500	1.00	1.34
4	2.65	2.47	.41	.40	3.75	3.50	.625	.500	1.04	1.37
6	3.17	2.83	.41	.40	4.48	4.00	.875	.750	1.27	1.80
8	3.17	3.17	.41	.40	4.48	4.48	1.000	.875	1.29	1.96
10	3.54	N/A	.41	N/A	5.00	N/A	1.125	N/A	1.38	N/A
12	3.54	N/A	.41	N/A	5.00	N/A	1.250	N/A	1.38	N/A
14	3.54	N/A	.41	N/A	5.00	N/A	1.250	N/A	1.62	N/A
16	3.54	N/A	.41	N/A	5.00	N/A	1.250	N/A	1.75	N/A
18	3.54	N/A	.41	N/A	5.00	N/A	1.250	N/A	1.75	N/A
20	3.93	N/A	.41	N/A	5.56	N/A	1.250	N/A	1.75	N/A
24	4.33	N/A	.41	N/A	6.12	N/A	1.250	N/A	1.75	N/A



Note: Standard = Standard, Lug & True Lug Style Valves  
Wafer = Wafer Style Valves



# BUTTERFLY VALVES



## General Installation Information

Spears® Butterfly Valves are designed for system connections either between two flanges, or with single-side (flange one-side only) connection for dead-end service using lug style valves. Lug Insert Valves require attention to flow direction, True Lug valves may be installed either direction. The valve handle (or gear operator) is reversible 180° for either left or right side operation. Spears® Butterfly Valves are designed for installation with user supplied 1/8" full-faced gaskets, hex bolts, nuts and flat washers.

**Caution:** Spears® Butterfly Valves are designed for use with flanges or flanged equipment having minimum waterway inside diameter no less than that of Schedule 80 PVC pipe (ASTM D 1785). *Use of smaller inside diameter flange connections may result in obstruction and damage to the valve disc.*

## PVC & CPVC Butterfly Valve Torque and Hardware Requirements

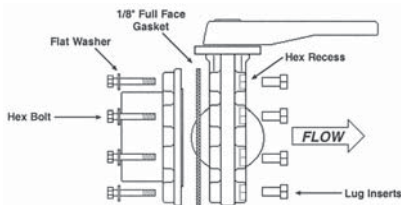
Valve Size (in.)	No. of Bolt Holes	Bolt Torque (ft.-lb.)	Standard Valve					Valve with Lug Inserts					True Lug Valve			
			Bolt Lengths <sup>1</sup> (in.)		Bolt Diameter (in.)	Bolt Threads per inch	Flat Washer O.D. (in.)	Bolt Lengths <sup>1</sup> (in.)		Bolt Diameter (in.)	Lug Threads per inch	Flat Washer O.D. (in.)	Bolt Lengths <sup>2</sup> (in.)	Bolt Diameter (in.)	Lug Threads per inch	Flat Washer O.D. (in.)
			Single Side	Dual Flange <sup>3</sup>				Single Side	2nd Flange <sup>2</sup>							
1-1/2	4	12	3-1/4	4-1/4	1/2	13	1-3/8	1-3/4	1-1/2	1/2	13	1-3/8	1-1/2	7/16	14	1-1/4
2	4	25	3-3/4	4-3/4	5/8	11	1-3/4	2	1-3/4	5/8	11	1-3/4	1-1/2	1/2	13	1-3/8
2-1/2	4	25	4-1/4	5-1/4	5/8	11	1-3/4	2-1/4	2	5/8	11	1-3/4	1-3/4	1/2	13	1-3/8
3	4	25	4-1/4	5-1/2	5/8	11	1-3/4	2-1/4	2	5/8	11	1-3/4	2	1/2	13	1-3/8
4	8	25	4-1/2	5-3/4	5/8	11	1-3/4	2-1/2	2	5/8	11	1-3/4	2	1/2	13	1-3/8
6	8	40	5-1/4	6-3/4	3/4	10	2	3-1/4	2-1/4	3/4	10	2	2-1/4	5/8	11	1-3/4
8	8	40	5-3/4	7-1/4	3/4	10	2	3-3/4	2-1/4	3/4	10	2	2-1/4	5/8	11	1-3/4
10	12	64	6-1/2	8-1/4	7/8	9	2-1/4	4	3	7/8	9	2-1/4	2-3/4	3/4	10	2
12	12	95	6-3/4	8-1/2	7/8	9	2-1/4	4-1/4	3	7/8	9	2-1/4	2-3/4	3/4	10	2

1: Minimum bolt lengths based on use of Spears® flanges, 1/8" full faced gaskets, standard S.A.E. hex bolts and Standard Plate Series flat washers.

2: Specified bolt lengths are **maximum allowable** for maintaining proper clearance in initial Single-Side installation with Lugs where anticipated 2nd Flange installation option is to be retained without removal of valve.

3: Minimum bolt length through 2-flanges, 2-gaskets, 2-flat washers and 1-valve body.

## Single-Side (flange one side) Installation Using Standard Valve with Lug Inserts (for field installable Insert Sets or valves with factory installed Lug Inserts)



**CAUTION:** Flange must be installed on side of valve **opposite** the hex nut recesses for Single-Side Installation as illustrated.

(Flange, bolts, nuts, washers and gaskets not included. Lug inserts may be ordered separately.)

## Polypropylene Butterfly Valve Torque and Hardware Requirements

Valve Size	No. of Bolt Holes	Bolt Diameter (in.)	Bolt Torque (ft.-lb.)	Bolt Lengths	Valve Lay Length
1-1/2	4	1/2	12	Bolt lengths will vary according to thickness of valve, mating flanges, nuts and gaskets used.  The following formula may be use to calculate bolt length for installation with mating flange each side.  $L = V + 2 ( F + G + W ) + N$ Where: L = Minimum Bolt Length V = Valve Lay Length F = Flange Thickness G = Gasket Thickness W = Washer Thickness N = Nut Thickness	1-9/16
2	4	5/8	25		1-7/8
2-1/2	4	5/8	25		2-1/16
3	4	5/8	25		2-1/8
4	8	5/8	25		2-5/16
6	8	3/4	40		3
8	8	3/4	40		2-3/4
10	12	7/8	64		3-1/4
12	12	7/8	95		3-1/2
14	12	1	110		6-1/4
16	16	1	110		6-3/4
18	16	1-1/8	110		7-1/8
20	20	1-1/8	110		7-3/4
24	20	1-1/4	110		8-1/2



# BUTTERFLY VALVE ACCESSORIES

## Lug Insert Sets



- Field installable lugs for all Spears® PVC & CPVC Standard Butterfly Valves only.
- Allows easy single-side installation to mating flange.
- Choice of high corrosion resistant 316 stainless steel or zinc plated steel construction.

Valve Size	316 Stainless Steel Part Number	Zinc Plated Steel Part Number
1-1/2	LUG1-015	LUG2-015
2 & 2-1/2	LUG1-020	LUG2-020
3	LUG1-030	LUG2-030
4	LUG1-040	LUG2-040
6 & 8	LUG1-080	LUG2-080
10 & 12	LUG1-120	LUG2-120

## Lever Handle Kits



- Exact replacement or conversion handle for Spears® 1-1/2" through 8" Butterfly Valves.
- High impact polypropylene construction featuring quick-action reinforced polymer position stop and grip with built-in lock-out capability.
- Includes all components and hardware assembled for quick installation.

Valve Size	Part Number
1-1/2	BFH-015
2 & 2-1/2	BFH-020
3	BFH-030
4	BFH-040
6	BFH-060
8	BFH-080

## T-Handle Kits



- Specialty Handle for minimum space requirements.
- High impact polypropylene construction featuring quick-action reinforced polymer position stop and grip with built-in lock-out capability.

Valve Size	Part Number
3	BFTH-030
4	BFTH-040

## Speed Handle for Gear Operator



- Quickly attaches to Spears® Gear Operator Handle to allow rapid opening or closing of valve.

Valve Size	Part Number
1-1/2 - 12	SH-120

## Positive Stem Stop for Butterfly Valve with Gear Operator



- Provides positive stop for Gear Operator shaft to avoid changes in the degree of opening for varying flow conditions.

Valve Size	Part Number
1-1/2 - 12	PSS-120
14 - 24	PSS-240

# BUTTERFLY VALVE ACCESSORIES



## 2" Square / T-Style Operator Nuts

- Allows operation with conventional 2" Square or T-Style handle wrenches.
- Fits All Spears® Butterfly Valve Gear Operators.  
(NOT FOR USE ON VALVE STEM)

Valve Size	Part Number
1-1/2 - 24	GTN-040

## Gear Operator Kits



For Wafer Style Butterfly Valves replace the "GO" prefix with "GOW" in the part number.

- Bolt-on conversion or replacement unit for all Spears® Butterfly Valves.
- Cast aluminum construction with high efficiency worm gear drive, built-in position indicator and easy-grip polypropylene handwheel.
- Includes all components and hardware for direct mount to valve.

## Gear Operator Kits

Valve Size	1-1/2	2	2-1/2	3	4	6	8	10	12
Part Number	GO-015	GO-020	GO-025	GO-030	GO-040	GO-060	GO-080	GO-100	GO-120

## Powder Coated Gear Operator Kits

Valve Size	1-1/2	2	2-1/2	3	4	6	8	10	12
Part Number	GOP-015	GOP-020	GOP-025	GOP-030	GOP-040	GOP-060	GOP-080	GOP-100	GOP-120

## Extended Chemical Resistance Options

Spears® offers several options for extended chemical resistance in PVC, CPVC and Polypropylene Butterfly Valves, including those listed below. Contact Spears® for additional ordering information.

### PTFE Seat Sleeves

- PTFE envelope-type sleeve encases and isolates Spears® standard elastomer seat for extended chemical resistance while maintaining resiliency and sealing capability.
- Available for valve sizes 1-1/2" - 12"
- Sold factory-installed in PVC, CPVC or PP valves.

### PTFE Coated Valve Stems

- Durable, bonded PTFE coating over standard SS 316L stem for extended chemical resistance.
- Viable alternative to more costly special alloy stems.
- Available for all valve sizes.
- Sold factory installed in PVC, CPVC or PP valves.



# BUTTERFLY VALVE ACCESSORIES



(VALVE NOT INCLUDED)

## Chainwheel Operator Kits

For Wafer Style Butterfly Valves replace the “CO” prefix with “COW” in the part number.

- Bolt-on conversion unit for all Spears® Butterfly Valves. Includes all hardware for direct mount to valve.
- Enables operation of Spears® Butterfly Valves in high, normally out of reach locations. Makes valve opening or closing easy by means of a slight pull on the sprocket chain.
- Unit consists of Cast Aluminum high efficiency Gear Operator with Aluminum Alloy Sprocket Rim and Chain Guide.
- Chain options provide choice of 316 Stainless Steel, Hot-Dipped Galvanized or Brass. Order separately to desired length.

**Note:** In horizontal system installations, Chainwheel Operators should be generally mounted with operator below valve (inverted valve) to maintain clearance between chain and system piping. Check for adequate clearance before installing an operator in a top-mount position.

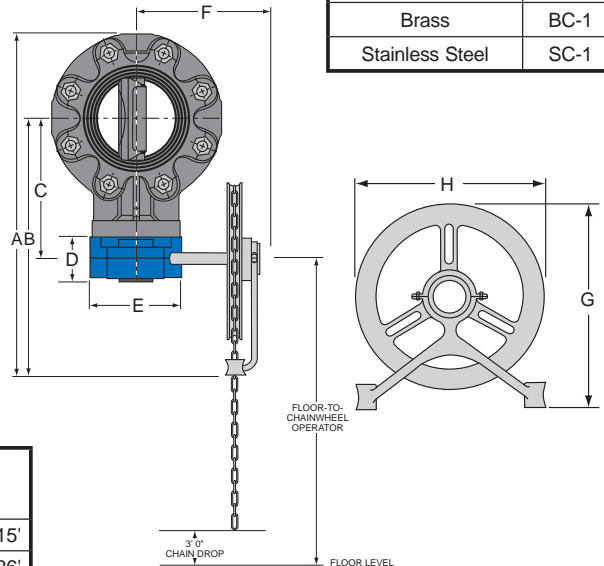
Valve Size	Part Number
2	CO-020
2-1/2	CO-025
3	CO-030
4	CO-040
6	CO-060
8	CO-080
10	CO-100
12	CO-120
14-24	CO-140

2-1/2" and smaller kits available on special order basis.

LOCK-LINK CHAIN OPTIONS	Part Number
Hot-Dip Galvanized	GC-1
Brass	BC-1
Stainless Steel	SC-1

## Determining Floor-to-Chainwheel Height

Typical orientation is shown for valve in horizontal piping system installation. Floor-to-Chainwheel height is determined by subtracting the specified “C” dimension from the system centerline height (add “C” dimension if used with top-mount orientation). In vertical piping system installations, the Floor-to-Chainwheel height is the same as that for the centerline location of the valve in the system.



### How to Order Chain

Required chain length is based on chain drop at 3 ft. from floor.

Floor-to-Chainwheel Height	7'	8'	9'	10'	11'	12'	13'	14'	15'
Required Chain Length	10'	12'	14'	16'	18'	20'	22'	24'	26'

## Chainwheel Operator Dimensions (Note: w denotes Wafer Style Butterfly Valve Dimensions)

Valve Size	A	A w	B	B w	C	C w	D	D w	E	E w	F	F w	G	G w	H	H w
2	12-15/16	12-3/16	9-15/16	9-1/8	5-7/8	5-1/8	2-3/8	2-3/8	4-13/16	4-13/16	5-7/16	5-7/16	7-3/4	7-3/4	7-3/8	7-3/8
2-1/2	13-11/16	13-3/16	10-3/16	9-5/8	6-1/8	5-5/8	2-3/8	2-3/8	4-13/16	4-13/16	5-7/16	5-7/16	7-3/4	7-3/4	7-3/8	7-3/8
3	14-7/16	13-3/4	10-11/16	10-1/16	6-5/8	6-1/16	2-3/8	2-3/8	4-13/16	4-13/16	5-7/16	5-7/16	7-3/4	7-3/4	7-3/8	7-3/8
4	15-15/16	14-13/16	11-7/16	10-1/2	7-3/8	6-1/2	2-3/8	2-3/8	4-13/16	4-13/16	5-7/16	5-7/16	7-3/4	7-3/4	7-3/8	7-3/8
6	19-5/16	17-13/16	13-13/16	12-1/4	9-3/4	8-1/4	2-3/8	2-3/8	4-13/16	4-13/16	5-7/16	5-7/16	7-3/4	7-3/4	7-3/8	7-3/8
8	21-9/16	20-7/16	14-13/16	13-9/16	10-3/4	9-9/16	2-3/8	2-3/8	4-13/16	4-13/16	5-7/16	5-7/16	7-3/4	7-3/4	7-3/8	7-3/8
10	24-3/16	—	16-3/16	—	12-1/8	—	2-3/8	—	5-3/8	—	6-7/16	—	7-3/4	—	7-3/8	—
12	26-11/16	—	17-3/16	—	13-1/8	—	2-3/8	—	5-3/8	—	6-7/16	—	7-3/4	—	7-3/8	—
14	31	—	20-1/2	—	14-1/2	—	2-3/4	—	6-7/8	—	7-1/4	—	10-1/2	—	9	—
16	33-1/2	—	21-3/4	—	15-3/4	—	2-3/4	—	6-7/8	—	7-1/4	—	10-1/2	—	9	—
18	35	—	22-1/2	—	16-1/2	—	2-3/4	—	6-7/8	—	7-1/4	—	10-1/2	—	9	—
20	37-1/2	—	23-3/4	—	17-3/4	—	2-3/4	—	6-7/8	—	7-1/4	—	10-1/2	—	9	—
24	42	—	26	—	20	—	2-3/4	—	6-7/8	—	7-1/4	—	10-1/2	—	9	—

# BUTTERFLY VALVE ACCESSORIES



## Stem Extensions

For Wafer Style Butterfly Valves replace the “BFSE” prefix with “BFSEW” in the part number.

- Designed for use on Spears® Butterfly Valves.
- Corrosion Resistant PVC Housing.
- Stainless Steel Internal Extension Shaft.
- All Mounting Hardware Included.
- Detailed Instructions for Quick Assembly.
- Fabricated to Order in Standard 6" Increments.

*Typical Application (VALVE NOT INCLUDED)*

*Gear Operator (shown) or Lever Handle Sold with Valve*

Stem Extension Height	Valve Size						
	1-1/2	2 & 2-1/2	3	4	6	8	10
24	BFSE-015-240	BFSE-020-240	BFSE-030-240	BFSE-040-240	BFSE-060-240	BFSE-080-240	BFSE-100-240
30	BFSE-015-300	BFSE-020-300	BFSE-030-300	BFSE-040-300	BFSE-060-300	BFSE-080-300	BFSE-100-300
36	BFSE-015-360	BFSE-020-360	BFSE-030-360	BFSE-040-360	BFSE-060-360	BFSE-080-360	BFSE-100-360
42	BFSE-015-420	BFSE-020-420	BFSE-030-420	BFSE-040-420	BFSE-060-420	BFSE-080-420	BFSE-100-420
48	BFSE-015-480	BFSE-020-480	BFSE-030-480	BFSE-040-480	BFSE-060-480	BFSE-080-480	BFSE-100-480
54	BFSE-015-540	BFSE-020-540	BFSE-030-540	BFSE-040-540	BFSE-060-540	BFSE-080-540	BFSE-100-540
60	BFSE-015-600	BFSE-020-600	BFSE-030-600	BFSE-040-600	BFSE-060-600	BFSE-080-600	BFSE-100-600
66	BFSE-015-660	BFSE-020-660	BFSE-030-660	BFSE-040-660	BFSE-060-660	BFSE-080-660	BFSE-100-660
72	BFSE-015-720	BFSE-020-720	BFSE-030-720	BFSE-040-720	BFSE-060-720	BFSE-080-720	BFSE-100-720
78	BFSE-015-780	BFSE-020-780	BFSE-030-780	BFSE-040-780	BFSE-060-780	BFSE-080-780	BFSE-100-780
84	BFSE-015-840	BFSE-020-840	BFSE-030-840	BFSE-040-840	BFSE-060-840	BFSE-080-840	BFSE-100-840
90	BFSE-015-900	BFSE-020-900	BFSE-030-900	BFSE-040-900	BFSE-060-900	BFSE-080-900	BFSE-100-900
96	BFSE-015-960	BFSE-020-960	BFSE-030-960	BFSE-040-960	BFSE-060-960	BFSE-080-960	BFSE-100-960
102	BFSE-015-1020	BFSE-020-1020	BFSE-030-1020	BFSE-040-1020	BFSE-060-1020	BFSE-080-1020	BFSE-100-1020
108	BFSE-015-1060	BFSE-020-1080	BFSE-030-1080	BFSE-040-1080	BFSE-060-1080	BFSE-080-1080	BFSE-100-1080
114	BFSE-015-1140	BFSE-020-1140	BFSE-030-1140	BFSE-040-1140	BFSE-060-1140	BFSE-080-1140	BFSE-100-1140
120	BFSE-015-1200	BFSE-020-1200	BFSE-030-1200	BFSE-040-1200	BFSE-060-1200	BFSE-080-1200	BFSE-100-1200

Stem Extension Height	Valve Size					
	12	14	16	18	20	24
24	BFSE-120-240	BFSE-140-240	BFSE-160-240	BFSE-180-240	BFSE-200-240	BFSE-240-240
30	BFSE-120-300	BFSE-140-300	BFSE-160-300	BFSE-180-300	BFSE-200-300	BFSE-240-300
36	BFSE-120-360	BFSE-140-360	BFSE-160-360	BFSE-180-360	BFSE-200-360	BFSE-240-360
42	BFSE-120-420	BFSE-140-420	BFSE-160-420	BFSE-180-420	BFSE-200-420	BFSE-240-420
48	BFSE-120-480	BFSE-140-480	BFSE-160-480	BFSE-180-480	BFSE-200-480	BFSE-240-480
54	BFSE-120-540	BFSE-140-540	BFSE-160-540	BFSE-180-540	BFSE-200-540	BFSE-240-540
60	BFSE-120-600	BFSE-140-600	BFSE-160-600	BFSE-180-600	BFSE-200-600	BFSE-240-600
66	BFSE-120-660	BFSE-140-660	BFSE-160-660	BFSE-180-660	BFSE-200-660	BFSE-240-660
72	BFSE-120-720	BFSE-140-720	BFSE-160-720	BFSE-180-720	BFSE-200-720	BFSE-240-720
78	BFSE-120-780	BFSE-140-780	BFSE-160-780	BFSE-180-780	BFSE-200-780	BFSE-240-780
84	BFSE-120-840	BFSE-140-840	BFSE-160-840	BFSE-180-840	BFSE-200-840	BFSE-240-840
90	BFSE-120-900	BFSE-140-900	BFSE-160-900	BFSE-180-900	BFSE-200-900	BFSE-240-900
96	BFSE-120-960	BFSE-140-960	BFSE-160-960	BFSE-180-960	BFSE-200-960	BFSE-240-960
102	BFSE-120-1020	BFSE-140-1020	BFSE-160-1020	BFSE-180-1020	BFSE-200-1020	BFSE-240-1020
108	BFSE-120-1080	BFSE-140-1080	BFSE-160-1080	BFSE-180-1080	BFSE-200-1080	BFSE-240-1080
114	BFSE-120-1140	BFSE-140-1140	BFSE-160-1140	BFSE-180-1140	BFSE-200-1140	BFSE-240-1140
120	BFSE-120-1200	BFSE-140-1200	BFSE-160-1200	BFSE-180-1200	BFSE-200-1200	BFSE-240-1200

Basic Stem Extension height is 24" and is manufactured in standard 6" increments. Intermediate Stem Extension heights are available and are priced to the next full 6" increment. For heights over 120", please contact your servicing Spears® Regional Distribution Center.



## DIAPHRAGM VALVES



### Sample Engineering Specification

All thermoplastic Diaphragm valves shall be Weir-type constructed from PVC Type I, ASTM D 1784 Cell Classification 12454 or CPVC Type IV, ASTM D 1784 Cell Classification 23447, or Polypropylene, ASTM D 4101. All diaphragms shall be EPDM, FKM or PTFE with EPDM or FKM backing. All valves shall have built-in position indicator with polypropylene handwheel. All True Union style valve union nuts shall have Buttress threads. All PVC and CPVC 1/2" through 2" valves shall be pressure rated to 235 psi, all 2-1/2" through 4" and all flanged valves and valves with PTFE backing shall be pressure rated to 150 psi, all 6" valves shall be pressure rated to 100 psi, and all 8" valves shall be pressure rated to 75 psi for water at 73°F. All Polypropylene valves shall be pressure rated to 150 psi for water at 73°F, as manufactured by Spears® Manufacturing Company.

### Features – PVC, CPVC & PP

This full-featured valve is engineered to provide accurate throttling control and shutoff for industrial, chemical and water treatment applications. Weir-type design eliminates entrapped fluids in valve and is excellent for handling liquids with suspended solids, viscous fluids and slurries. Available in PVC, CPVC and Glass Filled Polypropylene with a variety of Diaphragm material options. PVC & CPVC 1/2" - 2" valves with Flanged Body, Spigot Body or True Union style Socket & Threaded ends or Optional Special Reinforced (SR) Threads, and sizes 2-1/2" - 8" with Flanged Body. Polypropylene 1/2" - 2" valves with True Union style Special Reinforced (SR) Threaded ends and sizes 2-1/2" - 8" with Flanged Body. True Union style also available in metric socket and BSP thread sizes 1/2" through 2".

- True Union Style with Buttress Thread Union Nuts - Mate with Spears® True Union 2000 Ball valves and Union 2000 Pipe Unions.
- EPDM, FKM, or Elastomer (EPDM or FKM) Bonded PTFE Diaphragms.
- PVC & CPVC Sizes 1/2" - 2" Pressure Rated to 235 psi @ 73°F, Sizes 2-1/2" - 4" and all flanged Pressure Rated to 150 psi @ 73°F, 6" Pressure Rated to 100 psi and 8" to 75 psi @ 73°F
- Polypropylene Sizes 1/2" - 4" Pressure rated to 150 psi @ 73°F
- Easy-Grip, High Impact Polypropylene Handwheel
- Built-in, Clear-View Position Indicator
- Stainless Steel External Hardware
- Fully Serviceable, Replaceable Components
- Suitable for Vacuum Service
- Assembled with Silicone-Free Lubricants (no lubricant in media contact area)

### Special Options

- Hypalon® (CSM) Diaphragms
- Natural Polypropylene Body
- Electric or Pneumatic Actuation

# DIAPHRAGM VALVES



## PVC, CPVC & PP Diaphragm Valve Quick-View Selection Chart

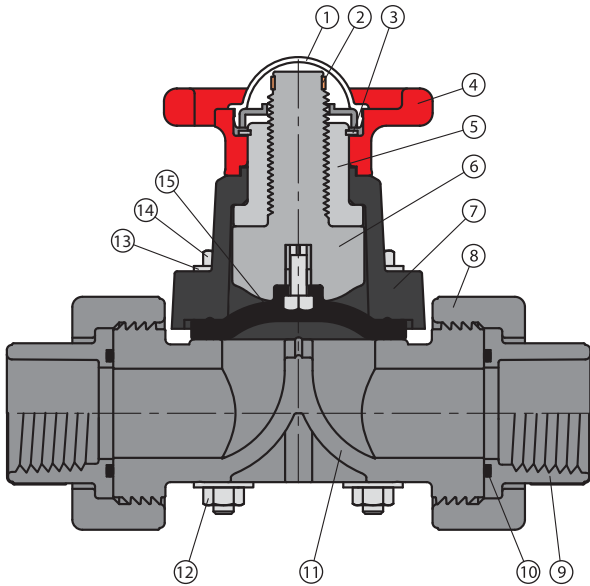
Size	O-ring Material	Diaphragm Material	PVC Part Number <sup>1</sup>				PP Part Number		Pressure Rating
			Soc/Thd	SR Threaded	Spigot	Flanged	SR Threaded	Flanged	
1/2	EPDM	EPDM	2729-005	2721-005SR	2727-005	2723-005	2721-005PSR	True Union & Spigot Style w/ Elastomer Diaphragms 235 psi Non-Shock Water @ 73°F	
		PTFE <sup>2</sup>	2729T-005	2721T-005SR	2797T-005	2793T-005	2721T-005PSR		
	FKM	FKM	2739-005	2731-005SR	2737-005	2733-005	2731-005PSR		
		PTFE <sup>2</sup>	2739VT-005	2731VT-005SR	2797VT-005	2793VT-005	2731VT-005PSR		
3/4	EPDM	EPDM	2729-007	2721-007SR	2727-007	2723-007	2721-007PSR		
		PTFE <sup>2</sup>	2729T-007	2721T-007SR	2797T-007	2793T-007	2721T-007PSR		
	FKM	FKM	2739-007	2731-007SR	2737-007	2733-007	2731-007PSR		
		PTFE <sup>2</sup>	2739VT-007	2731VT-007SR	2797VT-007	2793VT-007	2731VT-007PSR		
1	EPDM	EPDM	2729-010	2721-010SR	2727-010	2723-010	2721-010PSR		
		PTFE <sup>2</sup>	2729T-010	2721T-010SR	2797T-010	2793T-010	2721T-010PSR		
	FKM	FKM	2739-010	2731-010SR	2737-010	2733-010	2731-010PSR		
		PTFE <sup>2</sup>	2739VT-010	2731VT-010SR	2797VT-010	2793VT-010	2731VT-010PSR		
1-1/4	EPDM	EPDM	2729-012	2721-012SR	2727-012	2723-012	2721-012PSR		
		PTFE <sup>2</sup>	2729T-012	2721T-012SR	2797T-012	2793T-012	2721T-012PSR		
	FKM	FKM	2739-012	2731-012SR	2737-012	2733-012	2731-012PSR		
		PTFE <sup>2</sup>	2739VT-012	2731VT-012SR	2797VT-012	2793VT-012	2731VT-012PSR		
1-1/2	EPDM	EPDM	2729-015	2721-015SR	2727-015	2723-015	2721-015PSR		
		PTFE <sup>2</sup>	2729T-015	2721T-015SR	2797T-015	2793T-015	2721T-015PSR		
	FKM	FKM	2739-015	2731-015SR	2737-015	2733-015	2731-015PSR		
		PTFE <sup>2</sup>	2739VT-015	2731VT-015SR	2797VT-015	2793VT-015	2731VT-015PSR		
2	EPDM	EPDM	2729-020	2721-020SR	2727-020	2723-020	2721-020PSR		
		PTFE <sup>2</sup>	2729T-020	2721T-020SR	2797T-020	2793T-020	2721T-020PSR		
	FKM	FKM	2739-020	2731-020SR	2737-020	2733-020	2731-020PSR		
		PTFE <sup>2</sup>	2739VT-020	2731VT-020SR	2797VT-020	2793VT-020	2731VT-020PSR		
2-1/2	EPDM	EPDM				2723-025	2723-025P		
		PTFE <sup>2</sup>				2793T-025	2793T-025P		
	FKM	FKM				2733-025	2733-025P		
		PTFE <sup>2</sup>				2793VT-025	2793VT-025P		
3	EPDM	EPDM				2723-030	2723-030P		
		PTFE <sup>2</sup>				2793T-030	2793T-030P		
	FKM	FKM				2733-030	2733-030P		
		PTFE <sup>2</sup>				2793VT-030	2793VT-030P		
4	EPDM	EPDM				2723-040	2723-040P		
		PTFE <sup>2</sup>				2793T-040	2793T-040P		
	FKM	FKM				2733-040	2733-040P		
		PTFE <sup>2</sup>				2793VT-040	2793VT-040P		
6	EPDM	EPDM				2723-060	2723-060P		
		PTFE <sup>2</sup>				2793T-060	2793T-060P		
	FKM	FKM				2733-060	2733-060P		
		PTFE <sup>2</sup>				2793VT-060	2793VT-060P		
8	EPDM	EPDM				2723-080	2723-080P		
		PTFE <sup>2</sup>				2793T-080	2793T-080P		
	FKM	FKM				2733-080	2733-080P		
		PTFE <sup>2</sup>				2793VT-080	2793VT-080P		

1: For CPVC valves, add the letter "C" to part numbers listed (e.g., 2729-005C). Custom end connections available upon request.

2: Elastomer-backed PTFE (standard EPDM backed; special order FKM backed)



# DIAPHRAGM VALVES



## Replacement Parts

No.	Component	Qty.	Material
1	Indicator Cover	1	PVC Clear
2	Indicator	1	PE
3	Retaining Ring	1	SS
4	Handwheel	1	PP
5	Compressor Bushing	1	PTFE/CPVC
6	Compressor	1	CPVC
7	Bonnet	1	GFPP
8	Union Nut	1	PVC/CPVC/GFPP
9	Union End	2	PVC/CPVC/GFPP
10	Union End O-ring	2	EPDM/FKM
11	Body	1	PVC/CPVC/GFPP
12	Nut	4-16	SS
13	Flat Washer	8-32	SS
14	Bolt	4-16	SS
15	Diaphragm	1	EPDM/FKM/PTFE

1: Component applicable to True Union style valves only.  
 2: True Union Socket/Threaded Valve illustrated

## Temperature Pressure Rating

System Operating Temperature °F (°C)		100 (38)	110 (43)	120 (49)	130 (54)	140 (60)	150 (66)	160 (71)	170 (77)	180 (82)	190 (88)	200 (93)	210 (99)	
Valve Pressure Rating psi (MPa)	1/2" - 2"	PVC	235 (1.62)	211 (1.45)	150 (1.03)	75 (.52)	50 (.34)	-0-	-0-	-0-	-0-	-0-	-0-	
		CPVC	235 (1.62)	219 (1.51)	170 (1.17)	145 (1.00)	130 (.90)	110 (.76)	90 (.62)	80 (.55)	70 (.48)	60 (.41)	50 (.34)	-0-
		PP	150 (1.03)	105 (.72)	90 (.62)	80 (.55)	75 (.52)	65 (.45)	55 (.38)	50 (.34)	45 (.31)	-0-	-0-	-0-
	2-1/2" - 4"	PVC	150 (1.03)	135 (.93)	110 (.76)	75 (.52)	50 (.34)	-0-	-0-	-0-	-0-	-0-	-0-	-0-
		CPVC	150 (1.03)	140 (.97)	130 (.90)	120 (.83)	110 (.76)	100 (.70)	90 (.62)	80 (.55)	70 (.48)	60 (.41)	50 (.34)	-0-
		PP	150 (1.03)	105 (.72)	90 (.62)	80 (.55)	75 (.52)	65 (.45)	55 (.38)	50 (.34)	45 (.31)	-0-	-0-	-0-
	6"	PVC	100 (.70)	90 (.62)	80 (.55)	65 (.38)	50 (.34)	-0-	-0-	-0-	-0-	-0-	-0-	-0-
		CPVC	100 (.70)	95 (.66)	90 (.62)	85 (.59)	80 (.55)	75 (.52)	70 (.48)	65 (.45)	60 (.41)	55 (.38)	50 (.34)	-0-
		PP	100 (.70)	90 (.62)	85 (.59)	75 (.52)	70 (.48)	60 (.41)	55 (.38)	50 (.34)	45 (.31)	-0-	-0-	-0-
	8"	PVC	75 (.52)	70 (.48)	65 (.45)	60 (.41)	50 (.34)	-0-	-0-	-0-	-0-	-0-	-0-	-0-
		CPVC	75 (.52)	72 (.49)	70 (.48)	67 (.46)	65 (.45)	62 (.43)	60 (.41)	55 (.38)	50 (.34)	45 (.31)	40	-0-
		PP	75 (.52)	62 (.43)	60 (.41)	57 (.39)	55 (.38)	52 (.36)	50 (.34)	47 (.32)	45 (.31)	-0-	-0-	-0-

**NOT FOR DISTRIBUTION OF COMPRESSED AIR OR GASES**



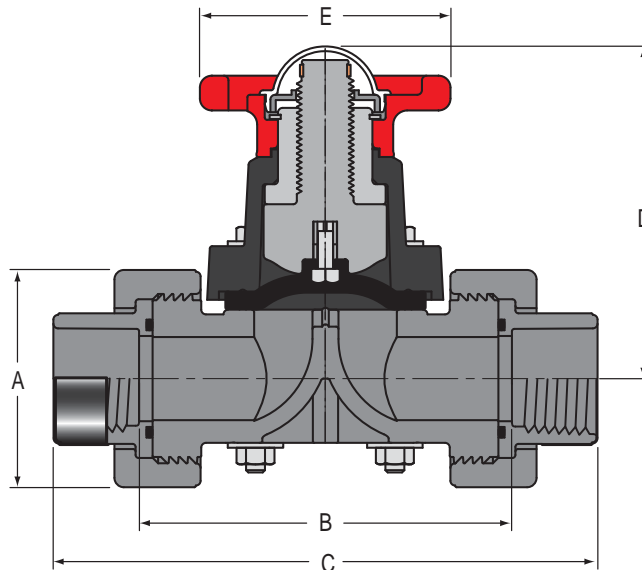
# DIAPHRAGM VALVES



## C<sub>v</sub> Values PVC, CPVC & PP

Valve Size	PERCENT OPEN			
	100%	75%	50%	25%
1/2	5.1	4.8	4.2	2.4
3/4	8.0	7.5	6.5	3.8
1	11.5	10.8	9.4	5.4
1-1/4	22.0	20.6	18.0	10.3
1-1/2	28.2	26.4	23.0	13.3
2	52.9	49.6	43.2	24.9
2-1/2	119.0	111.5	97.1	55.9
3	119.0	111.5	97.1	55.9
4	189.2	177.3	154.4	88.9
6	402.2	375.8	327.0	187.5
8	700.0	659.5	573.2	328.4

Gallons per minute at 1 psi pressure drop.



## Socket, Threaded & SR Threaded End Connectors Dimension & Weights

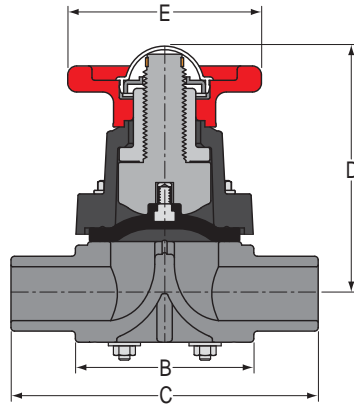
Nominal Size	Dimension Reference (inches, ± 1/16)						Approx. Wt. (Lbs.)	
	A	B <sup>1</sup>	C		D	E	PVC	CPVC
			Socket	Threaded				
1/2	1-15/16	3-7/8	5-9/16	5-3/16	3-11/32	2-7/8	1.12	1.14
3/4	2-1/2	4-1/2	6-7/16	5-15/16	3-3/4	3-1/8	1.37	1.36
1	2-9/16	4-15/16	7-3/16	6-13/16	4-7/16	3-3/8	2.35	2.43
1-1/4	3-5/16	5-1/2	8-7/8	8-1/4	5-5/8	3-7/8	3.91	4.03
1-1/2	3-17/32	6-5/16	9-5/16	8-7/16	5-5/8	4-5/8	4.08	4.21
2	4-7/32	7-1/2	10-9/16	9-1/2	7	6-5/8	7.06	7.25

<sup>1</sup>: Valve Lay Length.

NOT FOR DISTRIBUTION OF COMPRESSED AIR OR GASES

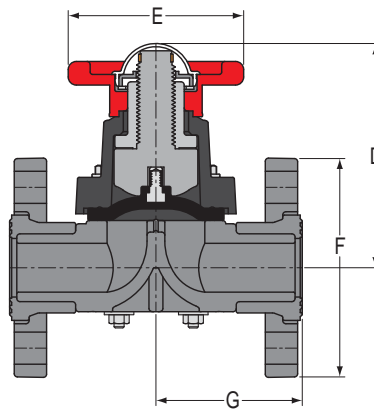


# DIAPHRAGM VALVES



## Spigot Diaphragm Dimensions & Weights

Nominal Size	Dimension Reference (inches, $\pm 1/16$ )				Approx. Wt. (Lbs.)	
	B	C	D	E	PVC	CPVC
1/2	2-5/8	4-3/8	3-11/32	2-7/8	.61	.63
3/4	2-3/4	4-3/4	3-3/4	3-1/4	.79	.82
1	3-1/8	5-3/8	4-7/16	3-5/16	1.32	1.36
1-1/4	3-3/4	6-1/4	5-5/8	4-19/32	2.41	2.50
1-1/2	3-3/4	6-1/2	5-5/8	4-19/32	2.43	2.52
2	4-3/4	7-3/4	7	5-7/8	4.15	4.43



## Flanged Diaphragm Dimensions & Weights

Nominal Size	Dimension Reference (inches, $\pm 1/16$ )				Approx. Wt. (Lbs.)	
	D	E	F	G	PVC	CPVC
1/2	3-11/32	2-7/8	3-1/2	2-5/16	.98	1.02
3/4	3-3/4	3-1/4	3-7/8	2-1/2	1.31	1.37
1	4-7/16	3-5/16	4-1/4	2-13/16	2.00	2.08
1-1/4	5-5/8	4-19/32	4-5/8	3-1/4	3.71	3.76
1-1/2	5-5/8	4-19/32	5	3-3/8	3.88	4.04
2	7	5-7/8	6	4	5.59	5.71
2-1/2	10-1/4	8-7/8	7-1/2	5-19/32	15.75	16.43
3	10-1/4	8-7/8	7-1/2	5-19/32	15.75	16.45
4	12-1/4	10-1/2	9	6-5/8	24.44	25.37
6	16-3/4	18-13/32	11	9-3/8	53.90	58.43
8	21	21-19/32	13-1/2	11-5/32	96.28	100.05

# TEE - STYLE "ZERO DEAD-LEG" DIAPHRAGM VALVES



Tee x Spigot

## Features – PVC, LXT PVC & CPVC

Spears® Tee-Style “Zero-Dead-Leg” Diaphragm Valve design integrates valve and Tee-fitting for direct branch take-off and eliminates the need for tees and reducing fittings normally required for service drops and other tie-ins to the loop. The Tee-Style valve provides a stronger, more compact connection enabling throttling, sampling, draining or diverting of critical process fluids. The “Zero Dead-leg” design is excellent for DI water and other critical applications. Close proximity of valve to mainline minimizes any areas of fluid stagnation by eliminating “dead leg” that can harbor bacterial growth and other contamination. Produced to order with Spigot, Socket & Threaded, or Special Reinforced (SR) Threaded end connection valve sizes 1/2" through 2", and specified Tee Socket connection sizes for virtually any mainline connection size.

## Sample Engineering Specification

All lateral branch valve connections shall be made using Tee-style Diaphragm Valves. All valves shall be constructed from PVC, ASTM D 1784 Cell Classification 12454; CPVC Type IV, ASTM D 1784 Cell Classification 23447; or Low Extractable LXT PVC, ASTM D 1784 Cell Classification 12343. Diaphragms shall be EPDM, FKM or elastomer backed, bonded PTFE. All valves with elastomer diaphragms shall be pressure rated to 235 psi and all valves with PTFE diaphragms to 150 psi, for water at 73°F, as manufactured by Spears® Manufacturing Company.

## T-Style Valve Advantages

- Chemical & Corrosion Resistant PVC, CPVC or Low Extractable LXT PVC materials
- Minimizes Fluid Stagnation
- Improves Branch Valve Connection Strength
- Simplifies Installation

## Diaphragm Valve Features

- Multi-featured Industrial Grade
- Built-in Position Indicator
- EPDM, FKM, or Elastomer Backed PTFE Diaphragm
- 235 psi Pressure Rating @ 73°F (150 psi for PTFE Diaphragms)
- High Impact Polypropylene Handle
- Fully Serviceable, Replaceable Components

## Quick-View Selection Chart

The following Base Part Numbers must be completed according to desired configuration size. Contact Spears® for the appropriate Tee size x Valve size code designations to replace the “xxx” in each.

Diaphragm Material	PVC Base Part Number			Pressure Rating @ 73°F (23°C)
	Spigot	Socket & Threaded	SR Threaded	
EPDM	2727ZD-xxx	2729ZD-xxx	2721ZD-xxxSR	1/2" – 2" 235 psi
FKM	2737ZD-xxx	2739ZD-xxx	2731ZD-xxxSR	
PTFE, EPDM Backing	2797TZD-xxx	2729TZD-xxx	2721TZD-xxxSR	1/2" – 2" 150 psi
PTFE/FKM Backing	2797VTZD-xxx	2739VTZD-xxx	2731VTZD-xxxSR	

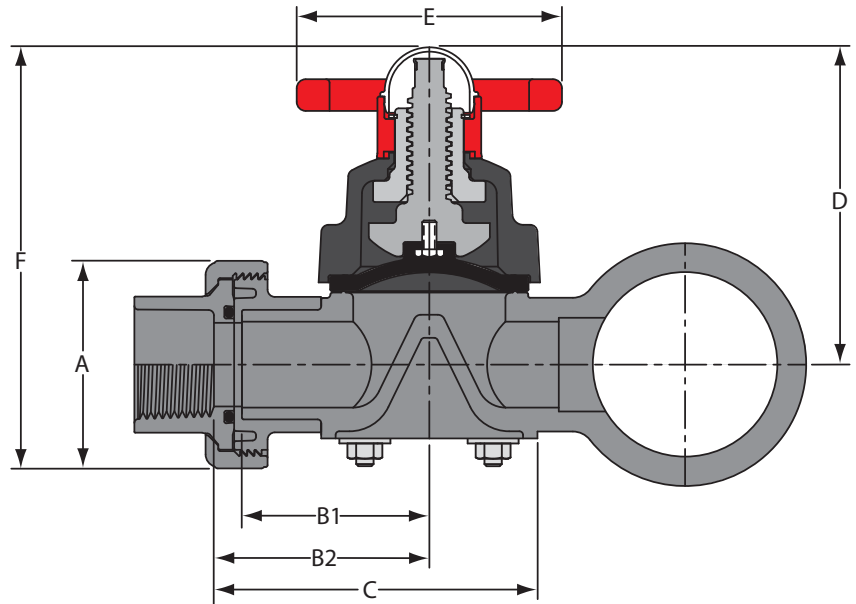
Diaphragm Material	CPVC Base Part Number			Pressure Rating @ 73°F (23°C)
	Spigot	Socket & Threaded	SR Threaded	
EPDM	2727ZD-xxxC	2729ZD-xxxC	2721ZD-xxxCSR	1/2" – 2" 235 psi
FKM	2737ZD-xxxC	2739ZD-xxxC	2731ZD-xxxCSR	
PTFE, EPDM Backing	2797TZD-xxxC	2729TZD-xxxC	2721TZD-xxxCSR	1/2" – 2" 150 psi
PTFE/FKM Backing	2797VTZD-xxxC	2739VTZD-xxxC	2731VTZD-xxxCSR	

Diaphragm Material	Low Extracable LXT PVC Base Part Number			Pressure Rating @ 73°F (23°C)
	Spigot	Socket & Threaded	SR Threaded	
EPDM	2727ZD-xxxBL	2729ZD-xxxBL	2721ZD-xxxSRBL	1/2" – 2" 235 psi
FKM	2737ZD-xxxBL	2739ZD-xxxBL	2731ZD-xxxSRBL	
PTFE, EPDM Backing	2797TZD-xxxBL	2729TZD-xxxBL	2721TZD-xxxSRBL	1/2" – 2" 150 psi
PTFE/FKM Backing	2797VTZD-xxxBL	2739VTZD-xxxBL	2731VTZD-xxxSRBL	

Note: LXT PVC Valves are typically used with elastomer backed PTFE Diaphragms to maintain purity in most applications.



# TEE - STYLE "ZERO DEAD-LEG" DIAPHRAGM VALVES



## Dimensions

Nominal Size	Dimension Reference ( $\pm 1/16$ )						
	A	Spigot B1	Socket Threaded B2	C	D	E	F
1/2	1-15/16	2-3/16	2-1/2	3-13/16	3-5/16	2-7/8	4-5/16
3/4	2-3/8	2-3/8	2-3/4	4-1/8	3-3/4	3-1/4	4-9/16
1	2-5/8	2-11/16	3-1/16	4-5/8	4-7/16	3-5/16	5-3/4
1-1/4	3-3/16	3-1/8	3-1/2	5-3/8	5-5/8	4-5/8	7-1/4
1-1/2	3-9/16	3-1/4	3-3/4	5-5/8	5-5/8	4-5/8	7-7/16
2	4-5/16	4-7/8	4-3/8	6-3/4	7	5-7/8	9-3/16

## Temperature Pressure Rating

Nominal Valve Size	73°F to 100°F	110°F	120°F	130°F	140°F
1/2" - 2"	150	135	110	75	50

Valves have elevated temperature pressure ratings different than pipe, as shown in chart above. Maximum PVC system service temperature is 140°F.

## Cv Values

Valve Size	PERCENT OPEN			
	100%	75%	50%	25%
1/2	5.1	4.8	4.2	2.4
3/4	8.0	7.5	6.5	6.5
1	11.5	10.8	9.4	9.4
1-1/4	22.0	20.6	18.0	18.0
1-1/2	28.2	26.4	23.0	23.0
2	52.9	49.6	43.2	43.2

Note: Cv values are for basic Diaphragm Valve only, excluding Tee end connection.



## Sample Engineering Specification

All thermoplastic check valves shall be flanged Swing Check type constructed from PVC Type I, ASTM D 1784 Cell Classification 12454 or CPVC Type IV, ASTM D 1784 Cell Classification 23447, or Polypropylene, ASTM D 4101. All O-rings shall be EPDM or FKM. All valves components shall be replaceable. All valves shall have top-entry access with O-ring sealed drain plug for in-line servicing. All valves shall have optional external Arrow Position Indicator or optional external Counter Balance. All 3/4" - 4" valves shall be pressure rated to 150 psi, all 6" valves to 100 psi, and all 8" valves to 70 psi for water at 73°F, as manufactured by Spears® Manufacturing Company.

## Quick-View Valve Selection Chart

Valve Size	O-ring Material	Part Number <sup>1,2,3</sup>	Pressure Rating
3/4	EPDM	4423-007	150 psi Non-Shock Water @ 73°F
	FKM	4433-007	
1	EPDM	4423-010	
	FKM	4433-010	
1-1/4	EPDM	4423-012	
	FKM	4433-012	
1-1/2	EPDM	4423-015	
	FKM	4433-015	
2	EPDM	4423-020	
	FKM	4433-020	
2-1/2	EPDM	4423-025	
	FKM	4433-025	
3	EPDM	4423-030	
	FKM	4433-030	
4	EPDM	4423-040	
	FKM	4433-040	
6	EPDM	4423-060	100 psi @ 73°F
	FKM	4433-060	
8	EPDM	4423-080	70 psi @ 73°F
	FKM	4433-080	

1: For CPVC valves, add the letter "C" to part numbers listed (e.g. 4423-025C).

2: For valve with Arrow Position Indicator, add the letter "I" before the dash separator (e.g., 4423I-025).

3: For Polypropylene valves, add the letter "P" to the part number (e.g. 4423-025P).

## Features – PVC, CPVC & PP

Designed for optimum flow, quick response and positive shutoff with minimum turbulence, this industrial grade Swing Check Valve is used in a variety of industrial and chemical processing applications where high volume fluid transfer is required. Suitable for horizontal or up-flow vertical applications. Available in PVC, CPVC and Glass Filled Polypropylene, IPS 3/4" - 8" with Flanged Body.

Engineered for Quick Response, Full-Flow Fluid Transfer

- Heavy Bodied All-Plastic Interior Construction
- Top Access & O-ring Sealed Drain Plug for In-line Servicing
- Standard O-ring type Seat & Seals in EPDM or FKM
- Sizes 3/4" - 4" Pressure Rated to 150 psi @ 73°F, 6" Pressure Rated to 100 psi and 8" to 70 psi @ 73°F
- Stainless Steel External Hardware
- Fully Serviceable, Replaceable Components
- Suitable for Vacuum Service
- Assembled with Silicone-Free, Water Soluble Lubricants

## Options & Accessories

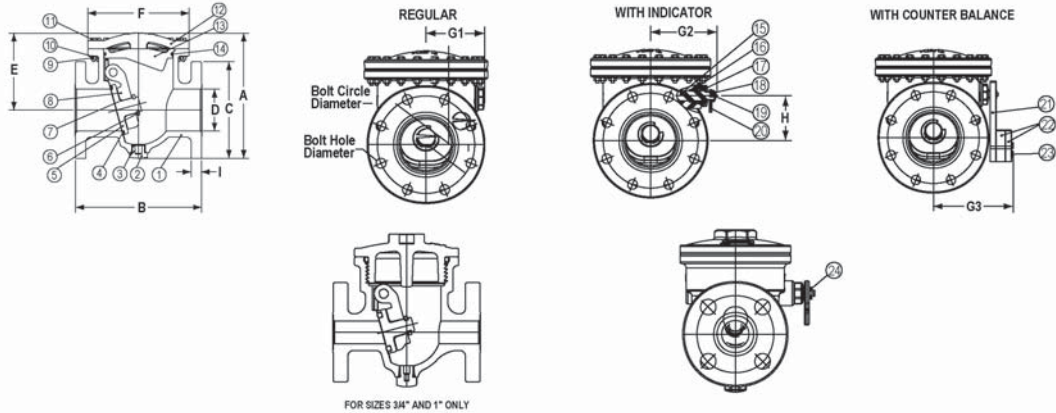
- External Arrow Position Indicator<sup>1</sup>
- External Counter Balance<sup>1</sup>
- Natural Polypropylene Body

1: Available as assembled valve or kit for installed valve

**General Installation Information:** Industrial Swing check valves are designed for horizontal installations, but may be installed in up-flow only vertical position. Check valves **MUST** be installed with the valves **FLOW** arrow pointing in the direction of flow. Do not install valve upside down. Normal flange-bolt assembly in top holes of the valve flange requires bolt insertion through the companion flange with nuts secured on Swing Check flange side. Certain system configurations involving direct connection of a Swing Check Valve to other flanged equipment may require consideration of this bolt clearance.



# INDUSTRIAL SWING CHECK VALVES



## Replacement Parts

No.	Component	Qty.	Material
1	Body	1	PVC/CPVC/PP
2	Plug	1	PVC/CPVC/PP
3	Plug O-ring	1	EPDM/FKM
4	Disc O-ring A	1	EPDM/FKM
5	Disc	1	PVC/CPVC/PP
6	Disc Ret. Clip	1	PP
7	Disc O-ring B	1	EPDM/FKM
8	Swing Arm	1	PVC/CPVC/PP
9	Nut	12-30	SS 316
10	Washer	24-60	SS 316
11	Bolt	12-30	SS 316
12	Bonnet	1	PVC/CPVC/PP

No.	Component	Qty.	Material
13	Seal Carrier	1	PVC/CPVC/PP
14	Body O-ring	1	EPDM/FKM
15	Arm Pin	1	PVC/CPVC/PP
16	Arm Pin Seal	2	FKM
17	Arm Pin Plug	1	PVC/CPVC/PP
18	Arm Pin Washer	1	SS 316
19	Arm Pin Bolt	1	SS 316
20	Indicator	1	PP
21	Counterbalance	1	PVC
22	Weight Block	1	PVC
23	Weight Block Bolt	2	SS 316
24	Arm Pin Ret. Clip	1	PP

## Dimensions & Weights

Nominal Size	A	B	C	D	E	F	G1	G2	G3	H	I	Approx. Wt (Lbs.)	
												PVC	CPVC
3/4	5-5/16	5-1/2	3-7/8	3/4	3-3/4	3-3/4	2-1/2	3	4	1-7/16	1/2	1.72	1.80
1	6-5/8	6-5/16	4-1/4	31/32	4-1/2	4-1/2	2-25/32	3-7/32	4-7/32	1-21/32	5/8	2.62	2.80
1-1/4	7-3/8	7-3/32	5	1-19/32	4-9/16	5-3/4	3-3/16	3-25/32	4-3/8	1-27/32	23/32	4.61	4.87
1-1/2	7-3/8	7-3/32	5	1-19/32	4-9/16	5-3/4	3-3/16	3-25/32	4-3/8	1-27/32	23/32	4.61	4.87
2	8-1/2	7-7/8	6	2	5-1/4	7	3-9/16	4-1/8	4-23/32	2-29/32	13/16	6.99	7.24
2-1/2	10-3/4	10-1/4	7-1/2	3-1/8	6-3/4	8-5/8	4-1/4	5	6-9/32	3-1/16	7/8	14.77	15.74
3	10-3/4	10-1/4	7-1/2	3-1/8	6-3/4	8-5/8	4-1/4	5	6-9/32	3-1/16	7/8	14.77	15.74
4	11-3/4	11-13/16	9	3-29/32	7-1/4	9-1/2	4-1/2	5-1/4	6-17/32	3-17/32	31/32	18.37	19.78
6	15-5/8	15-3/4	11	5-7/8	9-1/2	13-7/16	6	6-3/4	8-1/32	5-1/32	1	42.64	44.56
8	19-1/8	19-23/32	13-1/2	7-7/8	11-5/8	16-5/16	7	7-3/4	9-1/32	6-1/2	1-5/32	68.85	76.05

## Cv Values

Valve Size	Cv <sup>1</sup>
3/4	18
1	24
1-1/4	70
1-1/2	70
2	95
2-1/2	300
3	300
4	480
6	1100
8	1900

Nominal Size	Bolt Circle Diameter	Bolt Hole Diameter	Number of Bolt Holes
3/4	2-3/4	5/8	4
1	3-1/8	5/8	4
1-1/4	3-1/2	5/8	4
1-1/2	3-7/8	5/8	4
2	4-3/4	3/4	4
2-1/2	5-1/2	3/4	4
3	6	3/4	4
4	7-1/2	3/4	8
6	9-1/2	7/8	8
8	11-3/4	7/8	8

<sup>1</sup>: Gallons per minute at 1 psi pressure drop.

# INDUSTRIAL SWING CHECK VALVES



## Temperature Pressure Rating

System Operating Temperature °F (°C)		100 (38)	110 (43)	120 (49)	130 (54)	140 (60)	150 (66)	160 (71)	170 (77)	180 (82)	190 (88)	200 (93)	210 (99)	
Valve Pressure Rating psi (MPa)	3/4" – 4"	PVC	150 (1.03)	135 (.93)	110 (.76)	75 (.52)	50 (.34)	-0-	-0-	-0-	-0-	-0-	-0-	-0-
		CPVC	150 (1.03)	140 (.97)	130 (.90)	120 (.83)	110 (.76)	100 (.70)	90 (.62)	80 (.55)	70 (.48)	60 (.41)	50 (.34)	-0-
		PP	150 (1.03)	105 (.72)	90 (.62)	80 (.55)	75 (.52)	65 (.45)	55 (.38)	50 (.34)	45 (.31)	-0-	-0-	-0-
	6"	PVC	100 (.70)	90 (.62)	80 (.55)	65 (.38)	50 (.34)	-0-	-0-	-0-	-0-	-0-	-0-	-0-
		CPVC	100 (.70)	95 (.66)	90 (.62)	85 (.59)	80 (.55)	75 (.52)	70 (.48)	65 (.45)	60 (.41)	55 (.38)	50 (.34)	-0-
		PP	100 (.70)	90 (.62)	85 (.59)	75 (.52)	70 (.48)	60 (.41)	55 (.38)	50 (.34)	45 (.31)	-0-	-0-	-0-
	8"	PVC	70 (.48)	65 (.45)	60 (.41)	50 (.34)	45 (.31)	-0-	-0-	-0-	-0-	-0-	-0-	-0-
		CPVC	70 (.48)	65 (.45)	62 (.43)	60 (.41)	57 (.39)	55 (.38)	52 (.36)	50 (.34)	45 (.31)	42 (.29)	40 (.28)	-0-
		PP	70 (.48)	60 (.41)	57 (.39)	55 (.38)	52 (.36)	50 (.34)	47 (.32)	45 (.31)	40 (.28)	-0-	-0-	-0-

## Arrow Position Indicator Kit

Spears® Swing Check Valve Indicator Kit is designed for field installation of external Indicator Arrow in Spears® Swing Check Valves. This kit can be installed through the bonnet assembly and removal of valve from line is not required.

### Kit Includes:

- 1 - Extended Shaft
- 2 - Shaft Cup Seals
- 1 - Shaft Nut
- 1 - Indicator Arrow
- 1 - Retaining clip

Valve Size	Part Numbers		
	PVC Kit	CPVC Kit	PP Kit
3/4	I3K-007	I3K-007C	I3K-007P
1	I3K-010	I3K-010C	I3K-010P
1-1/4 & 1-1/2	I3K-015	I3K-015C	I3K-015P
2	I3K-020	I3K-020C	I3K-020P
2-1/2 & 3	I3K-030	I3K-030C	I3K-030P
4	I3K-040	I3K-040C	I3K-040P
6	I3K-060	I3K-060C	I3K-060P
8	I3K-080	I3K-080C	I3K-080P

## Application of Counter Balance

Swing Check Valves operate in response to a fluid stream flow opening a swinging disc. As the fluid stream slows and reverses, the disc responds by swinging to the closed position. Sudden reversal of flow direction can result in “slamming” condition as the disc closes. The function of the Counter Balance mechanism is to start the disc closing earlier as the fluid stream begins to slow so that it is almost closed when flow reversal takes place, thereby eliminating slamming of the disc. Available as installed unit with valve or as a kit for adaptation of installed valves.

## Counter Balance Kits

Spears® Swing Check Valve Counter Balance Kit is designed for field installation of counter balance mechanism in Spears® Swing Check Valves. This kit can be installed through the bonnet assembly and removal of valve from line is not required.

### Kit Includes:

- 1 - Extended Shaft
- 2 - Shaft Cup Seals
- 1 - Shaft Nut
- 1 - Counter Balance
- 1 - Retaining Bolt
- 1 - Flat Washer
- 1 - Extra Weight Plates (1-small & 1-large)
- 1 - Plate Mounting Bolts (2-long & 2 short).

Valve Size	Part Numbers		
	PVC Kit	CPVC Kit	PP Kit
3/4	CB3K-007	CB3K-007C	CB3K-007P
1	CB3K-010	CB3K-010C	CB3K-010P
1-1/4 & 1-1/2	CB3K-015	CB3K-015C	CB3K-015P
2	CB3K-020	CB3K-020C	CB3K-020P
2-1/2 & 3	CB3K-030	CB3K-030C	CB3K-030P
4	CB3K-040	CB3K-040C	CB3K-040P
6	CB3K-060	CB3K-060C	CB3K-060P
8	CB3K-080	CB3K-080C	CB3K-080P



# UTILITY SWING & SPRING CHECK VALVES



## Sample Engineering Specification

All thermoplastic check valves Shall be Utility Swing Check or Utility Spring Check type constructed from PVC Type I, ASTM D 1784 Cell Classification 12454. All valves shall be maintenance free seal unit construction with EPDM seat and weighted disc. All Spring Check Valves shall have stainless steel spring assisted operation. All valves shall have external flow arrow direction designation. All valves shall be certified by NSF® International for use in potable water service. All valves shall be pressure rated to 150 psi for water @ 73°F in full flow (open) position and to 75 psi @ 73°F back pressure (closed), as manufactured by Spears® Manufacturing Company.

## Features - PVC White & PVC Clear

Spears® Utility Swing Check and spring assisted Utility Spring Check Valves offer a compact, high performance check valve for Landscape & Irrigation, Pool & Spa, Aquaculture, OEM and many general purpose applications. These maintenance free sealed units feature long-life EPDM elastomer seats with weighted disc for full-flow with minimal restriction and positive shutoff. Spring assisted “Spring Check” model incorporates a positive-pressure spring to assist in valve closing without slamming. Produced from PVC White or PVC Clear material with Socket, Threaded or SR Threaded end connectors. Available in IPS Sizes 1/2" through 8" for Swing Check Valves and 1/2" through 4" for Spring Check Valves.

- Chemical & Corrosion Resistant PVC White or High Visibility PVC Clear Construction
- No Metal Parts on Swing Check - Stainless Steel Spring on Spring Check
- Maintenance Free Sealed Unit in a Compact Space Saving Design
- Engineered for Maximum Flow, Quick Response & Positive Shutoff
- Long-Life, High Grade EPDM Seat with Weighted Disc
- Spring Assisted Spring Check Model Option for Positive Closing
- Sizes 1/2" – 8" Pressure Rated to 150 psi @ 73°F Full-Flow (open) and 75 psi @ 73°F Back Pressure (closed)
- Suitable for either Horizontal or Vertical Up-flow Installations and Vacuum Service
- NSF® Certified for Potable Water Use
- Silicone-Free Assembly

## Quick-View Utility Swing Check Valve Selection Chart

Valve Size	Seat Material	PVC Material <sup>1</sup>			Pressure Rating
		Socket	Threaded	SR Threaded	
1/2	EPDM	S1520-05	S1520-05F	S1520-05FSR	150 psi @ 73°F Full Flow (Open)
3/4	EPDM	S1520-07	S1520-07F	S1520-07FSR	
1	EPDM	S1520-10	S1520-10F	S1520-10FSR	
1-1/4	EPDM	S1520-12	S1520-12F	S1520-12FSR	
1-1/2	EPDM	S1520-15	S1520-15F	S1520-15FSR	
2	EPDM	S1520-20	S1520-20F	S1520-20FSR	
2-1/2	EPDM	S1520-25	S1520-25F	S1520-25FSR	75 psi Back Pressure (Closed)
3	EPDM	S1520-30	S1520-30F	S1520-30FSR	
4	EPDM	S1520-40	S1520-40F	S1520-40FSR	
6	EPDM	S1520-60	S1520-60F	S1520-60FSR	
8	EPDM	S1520-80	N/A	N/A	

1: For PVC Clear Swing Check, replace dash (-) separator with the letter "C" in the part number (e.g. S1520C05), (e.g. S1520C05F) or (e.g. S1520C05FSR)

## Quick-View Utility Spring Check Valve Selection Chart

Valve Size	Seat Material	PVC Material <sup>1</sup>			Pressure Rating
		Socket	Threaded	SR Threaded	
1/2	EPDM	S1580-05	S1580-05F	S1580-05FSR	150 psi @ 73°F Full Flow (Open)
3/4	EPDM	S1580-07	S1580-07F	S1580-07FSR	
1	EPDM	S1580-10	S1580-10F	S1580-10FSR	
1-1/4	EPDM	S1580-12	S1580-12F	S1580-12FSR	
1-1/2	EPDM	S1580-15	S1580-15F	S1580-15FSR	75 psi Back Pressure (Closed)
2	EPDM	S1580-20	S1580-20F	S1580-20FSR	
2-1/2	EPDM	S1580-25	S1580-25F	S1580-25FSR	
3	EPDM	S1580-30	S1580-30F	S1580-30FSR	
4	EPDM	S1580-40	S1580-40F	S1580-40FSR	

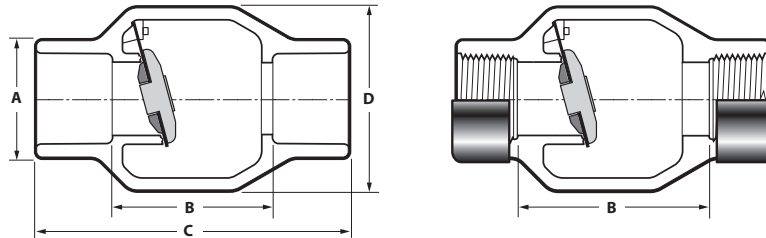
1: For PVC Clear Spring Check, replace dash (-) separator with the letter "C" in the part number (e.g. S1580C05), (e.g. S1580C05F) or (e.g. S1580C05FSR)



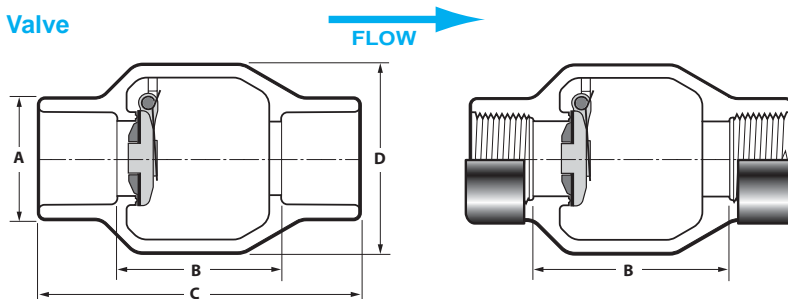
# UTILITY SWING & SPRING CHECK VALVES



## Utility Swing Check Valve



## Utility Spring Check Valve



## Dimensions

Nominal Size	Dimension Reference (inches, ± 1/16)					
	A	B		C	D	
		Socket	Threaded/SR Threaded		Swing	Spring
1/2	1-3/8	2-19/32	2-5/8	4-3/32	2-1/8	2-5/8
3/4	1-3/8	2-5/32	2-1/16	4-1/16	2-1/8	2-5/8
1	1-11/16	2-5/16	2-15/16	4-9/16	2-5/8	2-5/8
1-1/4	2-1/16	2-15/16	3-5/8	5-1/2	3-3/8	3-3/8
1-1/2	2-7/16	3	3-11/16	5-5/8	3-3/8	3-3/8
2	3	3-5/8	4-3/8	6-3/8	4-1/4	4-1/4
2-1/2	3-9/16	4-3/8	5-1/4	7-7/8	5-1/8	5-1/8
3	4-5/16	4-11/16	5-5/8	8-7/16	5-3/4	5-3/4
4	5-1/4	6	7-1/16	10-1/16	6-3/8	6-3/8
6	7-11/16	8-1/2	11-5/16	14-9/16	9-1/4	N/A
8	9-7/16	11-3/16	N/A	19-1/4	11-15/16	N/A

**General Installation Information:** Utility Swing check valves are designed for horizontal installations, but may be installed in up-flow only vertical position. Check valves **MUST** be installed with the valves **FLOW** arrow pointing in the direction of the flow. Do not install valve upside down. Flow velocity should not exceed 5ft./sec. Minimum opening pressure less than 0.5 psi.

## Temperature Pressure Rating

System Operating Temperature °F (°C)			100 (38)	110 (43)	120 (49)	130 (54)	140 (60)	150 (66)	160 (71)	170 (77)	180 (82)	190 (88)	200 (93)	210 (99)
Valve Pressure Rating psi (MPa)	1/2" - 8"	PVC	150 (1.03)	135 (.93)	110 (.76)	75 (.52)	50 (.34)	-0- (-0-)	-0- (-0-)	-0- (-0-)	-0- (-0-)	-0- (-0-)	-0- (-0-)	-0- (-0-)
			150 (1.03)	140 (.97)	130 (.90)	120 (.83)	-110- (.76)	-100- (.70)	-90- (.62)	-80- (.55)	-70- (.48)	-60- (.41)	-50- (.34)	-0- (-0-)



# COMPRESSION UTILITY SWING CHECK VALVES



## Sample Engineering Specification

All thermoplastic check valves Shall be Utility Compression Swing Check type constructed from PVC Type I, ASTM D 1784 Cell Classification 12454. All valves shall be maintenance free seal unit construction with EPDM seat and weighted disc. All valves shall have external flow arrow direction designation. All valves shall be certified by NSF® International for use in potable water service. All valves shall be pressure rated to 150 psi for water @73°F in full flow (open) position and to 75 psi @ 73°F back pressure (closed), as manufactured by Spears® Manufacturing Company.

## Quick-View Compression Utility Swing Check Valve Selection Chart

Valve Size	Seat Material	PVC Material <sup>1</sup>	Pressure Rating
		Compression	
1/2	EPDM	S1500-05	150 psi @ 73°F Full Flow (Open)
3/4	EPDM	S1500-07	
1	EPDM	S1500-10	
1-1/4	EPDM	S1500-12	
1-1/2	EPDM	S1500-15	75 psi Back Pressure (Closed)
2	EPDM	S1500-20	
2-1/2	EPDM	S1500-25	
3	EPDM	S1500-30	
4	EPDM	S1500-40	

1: For PVC Clear, replace dash (-) separator with the letter "C" in the part number (e.g. S1500C05).

## Features - PVC White & PVC Clear

Spears® Compression Utility Swing Check Valves offer a compact, high performance check valve with EPDM gasketed compression-type ends for fast, convenient connection to virtual and IPS size pipe, plastic or metal. Maintenance-free sealed unit design features long-life EPDM elastomer seats and weighted disc for full flow with minimal restriction and positive shutoff. Produced from PVC White or PVC Clear with White compression end connectors and EPDM seats. Available in IPS Sizes 1/2" through 4".

- Standard Swing Check Assembly Maintains a Positive Seal
- Convenient Compression Ends for Quick Connections
- Engineered for Maximum Flow, Quick Response & Positive Shutoff
- Excellent for Pool & Spa, OEM and General Purpose Applications
- Compact, Space-Saving Design
- Replaceable PVC White or Clear Sealed Unit
- High Grade EPDM Seat
- Suitable for Horizontal or Vertical Up-flow Installations
- Pressure Rated to 150 psi @73°F Full Flow (open), 75 psi Back Pressure (closed)
- Maximum Service Temperature 140°F (temperature/pressure de-ratings apply)



## Compression Coupling Nut Wrenches

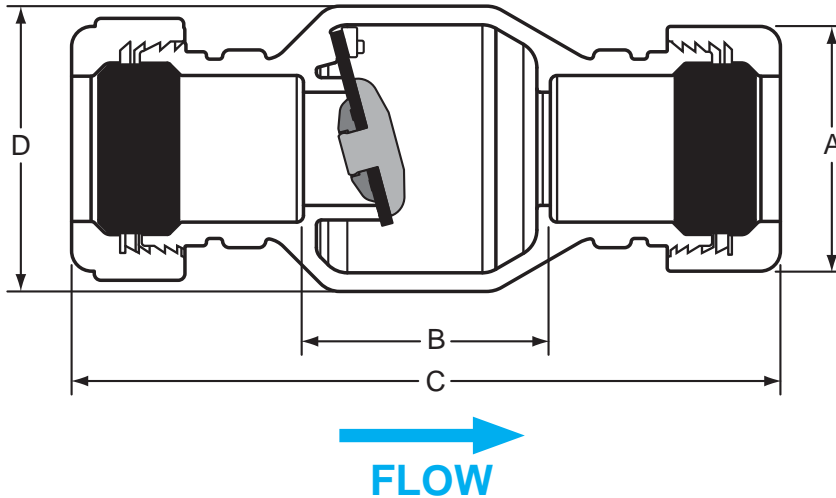
Part Number	Size
CCW-005	1/2
CCW-007	3/4
CCW-010	1
CCW-012	1-1/4
CCW-015	1-1/2
CCW-020*	2
CCW-030**	3

\* CCW-020 - Wrench also fits 2-1/2" Coupling Body  
 \*\*CCW-030 - Wrench also fits 4" Coupling Body

## Compression Coupling Nut Wrench Sets

Part Number	Size
CCW-000	Set
Complete Set of Wrenches, Sizes 1/2" - 3"	

# COMPRESSION UTILITY SWING CHECK VALVES



**WARNING:** The compression joints provide a positive seal but do not restrain pipe from thrust and movement under pressure. Use of compression joint requires blocking of connecting pipe to prevent any movement. Failure to do so can result in system failure or severe personal injury. Use in cold water/fluid applications only.

## Dimensions

Nominal Size	Dimension Reference (inches, ± 1/16)			
	A	B	C	D
1/2	1-3/4	1-3/4	5-15/16	2-1/8
3/4	2-1/16	1-3/4	6	2-1/8
1	2-7/16	2-1/4	6-5/16	2-21/32
1-1/4	2-15/16	2-15/16	8-9/16	3-3/8
1-1/2	3-5/16	2-15/16	8-17/32	3-3/8
2	3-3/4	3-1/2	9-7/32	4-1/4
2-1/2	4-11/16	4-1/4	11-3/32	5-1/8
3	5-7/16	4-9/16	12-3/8	5-23/32
4	6-3/4	5-15/16	16-7/8	6-3/8

**General Installation Information:** Swing check valves are designed for horizontal installations, but may be installed in up-flow only vertical position. Check valves **MUST** be installed with the valve's **FLOW** arrow pointing in the direction of the flow. Do not install valve upside down. Flow velocity should not exceed 5 ft./sec. Minimum opening pressure less than 0.5 psi.

## Temperature Pressure Rating

System Operating Temperature °F (°C)			100 (38)	110 (43)	120 (49)	130 (54)	140 (60)	150 (66)	160 (71)	170 (77)	180 (82)	190 (88)	200 (93)	210 (99)
Valve Pressure Rating psi (MPa)	1/2" - 4"	PVC	150 (1.03)	135 (.93)	110 (.76)	75 (.52)	50 (.34)	-0- (-0-)	-0- (-0-)	-0- (-0-)	-0- (-0-)	-0- (-0-)	-0- (-0-)	-0- (-0-)
			150 (1.03)	140 (.97)	130 (.90)	120 (.83)	110 (.76)	100 (.70)	90 (.62)	80 (.55)	70 (.48)	60 (.41)	50 (.34)	-0- (-0-)



# TRUE UNION UTILITY SWING & SPRING CHECK VALVES



## Features - PVC White & PVC Clear

Spears® True Union Utility Swing Check and spring assisted True Union Utility Spring Check Valves offer a compact, high performance check valve for Landscape & Irrigation, Pool & Spa, Aquaculture, OEM 1 and many general purpose applications. True Union design allows for easy in-line replacement of maintenance free sealed units. These valves feature long-life EPDM elastomer seats with weighted disc for full-flow with minimal restriction and positive shutoff. Spring assisted “Spring Check” model incorporates a positive-pressure spring to assist in valve closing without slamming. Produced from PVC White or PVC Clear material with Socket, Threaded or SR Threaded end connectors in IPS Sizes 1/2" through 4".

## Sample Engineering Specification

All thermoplastic check valves Shall be True Union Utility Swing Check or True Union Utility Spring Check type constructed from PVC Type I, ASTM D 1784 Cell Classification 12454. All union nuts shall have Buttress threads coupled to a replaceable sealed unit with EPDM seat and weighted disc. All Spring Check Valves shall have stainless steel spring assisted operation. All valves shall have external flow arrow direction designation. All valves shall be certified by NSF® International for use in potable water service. All valves shall be pressure rated to 150 psi for water @73°F in full flow (open) position and to 75 psi @ 73°F back pressure (closed), as manufactured by Spears® Manufacturing Company.

- Chemical & Corrosion Resistant PVC White or High Visibility PVC Clear Construction
- No Metal Parts on Swing Check - Stainless Steel Spring on Spring Check
- True Union style for Easy In-line Replacement of Sealed Unit
- Strong Buttress Threaded Union Nuts
- Engineered for Maximum Flow, Quick Response & Positive Shutoff
- Long-Life, High Grade EPDM Seat with Weighted Disc
- Spring Assisted Spring Check Model Option for Positive Closing
- Pressure Rated to 150 psi @ 73°F Full-Flow (open) and 75 psi @ 73°F Back Pressure (closed)
- Suitable for either Horizontal or Vertical Up-flow Installations and Vacuum Service
- NSF® Certified for Potable Water Use
- Silicone-Free Assembly

## Quick-View True Union Utility Swing Check Valve Selection Chart

Valve Size	Seat Material	PVC Material <sup>1</sup>			Pressure Rating
		Socket	Threaded	SR Threaded	
1/2	EPDM	S1720-05	S1720-05F	S1720-05FSR	150 psi @ 73°F Full Flow (Open)
3/4	EPDM	S1720-07	S1720-07F	S1720-07FSR	
1	EPDM	S1720-10	S1720-10F	S1720-10FSR	
1-1/4	EPDM	S1720-12	S1720-12F	S1720-12FSR	
1-1/2	EPDM	S1720-15	S1720-15F	S1720-15FSR	75 psi Back Pressure (Closed)
2	EPDM	S1720-20	S1720-20F	S1720-20FSR	
2-1/2	EPDM	S1720-25	S1720-25F	S1720-25FSR	
3	EPDM	S1720-30	S1720-30F	S1720-30FSR	
4	EPDM	S1720-40	S1720-40F	S1720-40FSR	

<sup>1</sup>: For PVC Clear Swing Check, replace dash (-) separator with the letter "C" in the part number (e.g. S1720C05), (e.g. S1720C05F) or (e.g. S1720C05FSR)

## Quick-View True Union Utility Spring Check Valve Selection Chart

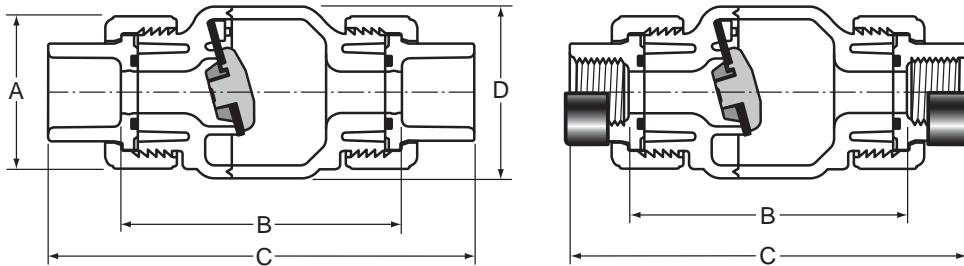
Valve Size	Seat Material	PVC Material <sup>1</sup>			Pressure Rating
		Socket	Threaded	SR Threaded	
1/2	EPDM	S1780-05	S1780-05F	S1780-05FSR	150 psi @ 73°F Full Flow (Open)
3/4	EPDM	S1780-07	S1780-07F	S1780-07FSR	
1	EPDM	S1780-10	S1780-10F	S1780-10FSR	
1-1/4	EPDM	S1780-12	S1780-12F	S1780-12FSR	
1-1/2	EPDM	S1780-15	S1780-15F	S1780-15FSR	75 psi Back Pressure (Closed)
2	EPDM	S1780-20	S1780-20F	S1780-20FSR	
2-1/2	EPDM	S1780-25	S1780-25F	S1780-25FSR	
3	EPDM	S1780-30	S1780-30F	S1780-30FSR	
4	EPDM	S1780-40	S1780-40F	S1780-40FSR	

<sup>1</sup>: For PVC Clear Spring Check, replace dash (-) separator with the letter "C" in the part number (e.g. S1780C05), (e.g. S1780C05F) or (e.g. S1780C05FSR)

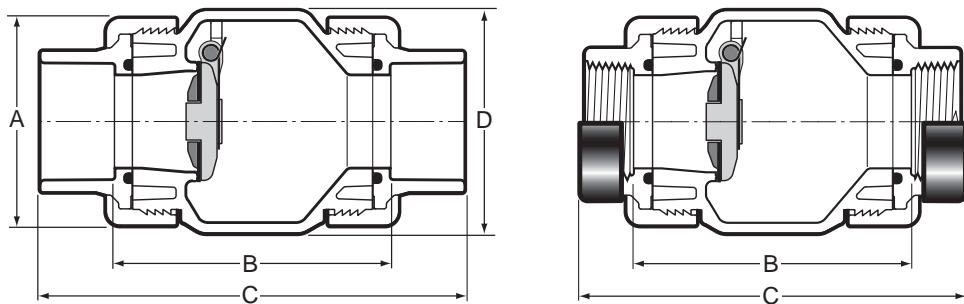
# TRUE UNION UTILITY SWING & SPRING CHECK VALVES



## True Union Utility Swing Check Valve



## True Union Utility Spring Check Valve



## Dimensions

Nominal Size	A	Dimension Reference (inches, ± 1/16)				D	
		B		C			
		Socket	Threaded/SR Threaded	Socket	Threaded/SR Threaded	Swing	Spring
1/2	1-7/8	3-7/16	3-1/2	5-3/16	4-13/16	2-1/8	2-5/8
3/4	2-1/4	3-9/16	3-9/16	5-1/2	4-15/16	2-1/8	2-5/8
1	2-9/16	4-1/8	4-5/16	6-7/16	6	2-5/8	2-5/8
1-1/4	3-1/8	4-7/8	5-1/16	7-7/16	6-13/16	3-3/8	3-3/8
1-1/2	3-9/16	4-9/16	4-3/4	7-3/8	6-1/2	3-3/8	3-3/8
2	4-5/16	5-5/8	5-3/4	8-5/8	7-9/16	4-1/4	4-1/4
2-1/2	6-3/16	7-7/16	7-9/16	10-15/16	10-3/16	5-11/16	5-11/16
3	6-13/16	7-7/16	7-1/2	11-3/16	10-1/4	5-11/16	5-11/16
4	7-3/4	9-3/4	9-7/8	14-5/16	12-3/4	7-1/4	7-1/4

**General Installation Information:** True Union Swing Check valves are designed for horizontal installations, but may be installed in up-flow only vertical position. Check valves **MUST** be installed with the valves **FLOW** arrow pointing in the direction of the flow. Do not install valve upside down. Flow velocity should not exceed 5ft./sec. Minimum opening pressure less than 0.5 psi.

## Temperature Pressure Rating

System Operating Temperature °F (°C)			100 (38)	110 (43)	120 (49)	130 (54)	140 (60)	150 (66)	160 (71)	170 (77)	180 (82)	190 (88)	200 (93)	210 (99)
Valve Pressure Rating psi (MPa)	1/2" - 4"	PVC	150 (1.03)	135 (.93)	110 (.76)	75 (.52)	50 (.34)	-0- (-0-)	-0- (-0-)	-0- (-0-)	-0- (-0-)	-0- (-0-)	-0- (-0-)	-0- (-0-)
			150 (1.03)	140 (.97)	130 (.90)	120 (.83)	110 (.76)	100 (.70)	90 (.62)	80 (.55)	70 (.48)	60 (.41)	50 (.34)	-0- (-0-)



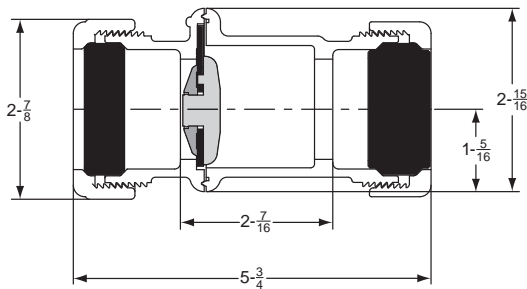
# SUMP PUMP SWING CHECK VALVES



## Sample Engineering Specification

All thermoplastic check valves shall be Sump Pump Swing Check type constructed from PVC Type I, ASTM D 1784 Cell Classification 12454. All valves shall be maintenance free seal unit construction with EPDM seat and weighted disc. All valves shall have external flow arrow direction designation. All valves shall be dual-fit design with Buna-N Compression Gaskets for use with either IPS sizes 1-1/4" or 1-1/2" pipe. All valves shall be pressure rated to 150 psi @ 73°F in full flow (open) position and to 75 psi @ 73°F back pressure (closed), as manufactured by Spears® Manufacturing Company.

## Dimensions

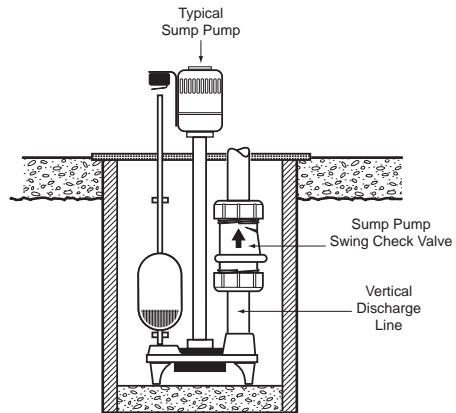


**NOT FOR DISTRIBUTION OF COMPRESSED AIR OR GASES**

## Features - PVC White & PVC Clear

Spears® Sump Pump Swing Check Valves provide a high performance specialty valve engineered for use on sump pump discharge lines, as illustrated. This compact valve is a maintenance free sealed Check Valve featuring long-life EPDM elastomer seats and weighted disc for full-flow with minimal restriction and positive shutoff. Produced in PVC White with compression type end connectors. Dual-fit design is available with Buna-N Gaskets for both 1-1/4" and 1-1/2" pipe.

- All Plastic Construction with Elastomer Seals – No Metal Parts
- Includes Compression End Connectors with Buna-N Gaskets for Use on Either 1-1/4" or 1-1/2" Pipe
- Angled Seat and Weighted Flapper for Low-Pressure Seal
- Pressure Rated to 150 psi @ 73°F Full-Flow (open) and 75 psi @ 73°F Back Pressure (closed)
- Suitable for Vertical Up-flow or Horizontal Installations



**General Installation Information:** Sump Pump Swing Check Valves may be installed in either vertical up-flow (see illustration) or horizontal positions on pump discharge line. Check valves **MUST** be installed with the valve's **FLOW** arrow pointing in the direction of the flow. In horizontal installations, the designated side must be positioned "up". Do Not install Check Valve upside down.

## Quick-View Sump Pump Swing Check Valve Selection Chart

Valve Size	Seat Material	PVC Material <sup>1</sup> Socket	Pressure Rating
1-1/4 & 1-1/2	EPDM	S1400-15	150 psi @ 73°F Full Flow (Open) 75 psi Back Pressure (Closed)

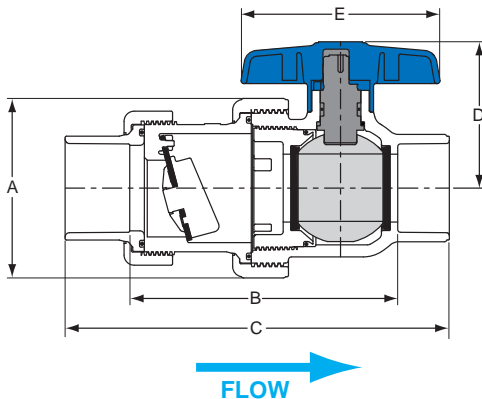
<sup>1</sup>: For PVC Clear Sump Pump, replace dash (-) separator with the letter "C" in the part number (e.g., S1400C15)

# SWING CHECK BALL VALVES



## Sample Engineering Specification

All thermoplastic check valves shall be Swing Check Ball Valve combination type constructed from PVC Type I, ASTM D 1784 Cell Classification 12454. All Ball Valve units shall have Safe-T-Shear® stem, Safe-T-Blocked® Seal Carrier and double stop Polypropylene handle. All valve components shall be replaceable. All Swing Check Units shall be maintenance free seal unit construction with EPDM seat and weighted disc. All valves shall have external flow arrow designation. All valves shall be pressure rated to 150 psi for water @73°F in full flow (open) position and to 75 psi @ 73°F back pressure (closed), as manufactured by Spears® Manufacturing Company.



## Dimensions

Size	A	B	C	D	E
1-1/2	3-7/8	5-3/4	8-1/4	3-3/16	4-1/4
2	4-7/16	6-11/16	9-3/8	3-7/8	5-1/16

## Features - PVC White

Spears® Swing Check Ball Valve offers a compact, high performance one-piece combination valve for applications requiring an in-line Ball Valve and Check Valve. This space, time and labor saving valve is designed for general purpose use and in wastewater pumping applications, such as ejector pits. Provides quick shut-off for easy pump or equipment servicing. Fully serviceable Ball Valve with replaceable, maintenance free sealed Check Valve Cartridge featuring long-life EPDM elastomer seats and weighted disc for full-flow with minimal restriction and positive shutoff. Produced in PVC White with socket end connectors. Available in IPS sizes 1-1/2" and 2".

- Compact, Space-Saving Design
- Union Design Allows Easy Service and Cleaning
- High Grade EPDM Seats
- Replaceable PTFE/HDPE Ball Valve Seats
- Safe-T-Blocked® Seal Carrier on Ball Valve with Safe-T-Shear® Stem and High Impact Polypropylene Handle
- Replaceable Sealed Check Valve Cartridge with Weighted EPDM Seat
- Pressure Rated to 150 psi @ 73°F Full-Flow (open) and 75 psi @ 73°F Back Pressure (closed)
- Suitable for Horizontal or Vertical Up-flow Installations

**General Installation Information:** Swing Check Ball Valves are designed for horizontal installations, but may be installed in up-flow only vertical position. The Check Valve portion **MUST** be installed with the valve's **FLOW** arrow pointing in the direction of flow and with the designated side up in horizontal installations. Do Not install Check Valve upside down. The Ball Valve portion may be rotated and installed in any position. Flow velocity should not exceed 5 ft./sec. Minimum opening pressure is less than 0.5 psi.

## Quick-View Swing Check Ball Valve Selection Chart

Valve Size	Seat Material	PVC Material Socket	Pressure Rating
1-1/2	EPDM	7622-015	150 psi @ 73°F Full Flow (Open)
2	EPDM	7622-020	75 psi Back Pressure (Closed)

**NOT FOR DISTRIBUTION OF COMPRESSED AIR OR GASES**



## QUIET CHECK VALVE

### Eliminates Noise in Sump Pump and Sewage Ejector Check Valve Operation

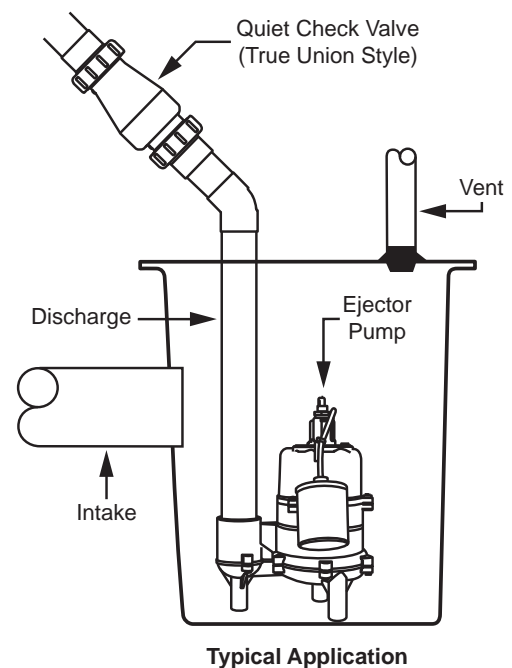


Spears® Quiet Check Valve has been designed to provide quiet operation in sump pump or sewage ejector pump systems typically found in home basements. The back flow of the water column in the discharge pipe can slam conventional check valves closed, producing a disturbing “thump” when the pump shuts off. The Quiet Check Valve uses a spring controlled rate of closing to prevent slamming and eliminates the noise.

Each Spears® Quiet Check Valve contains both regular socket ends for direct solvent cement connection of the valve and True Union style end connectors for easy valve removal or replacement.

Produced in both 1-1/2" and 2" nominal sizes, the 2" size is the minimum recommended for a sewage discharge system (i.e., sewage ejector pump) while the 1-1/2" size can be used in an effluent system (i.e., sump pump) discharge line to prevent back flow of liquid into sump basin.

**Pressure Rating @ 73°F (23°C), Water**  
**Full Flow (open) 150 psi**  
**Back Pressure (closed) 75 psi**  
**Maximum Service Temperature**  
**140°F (60°C)**  
**Temperature/Pressure De-ratings Apply**

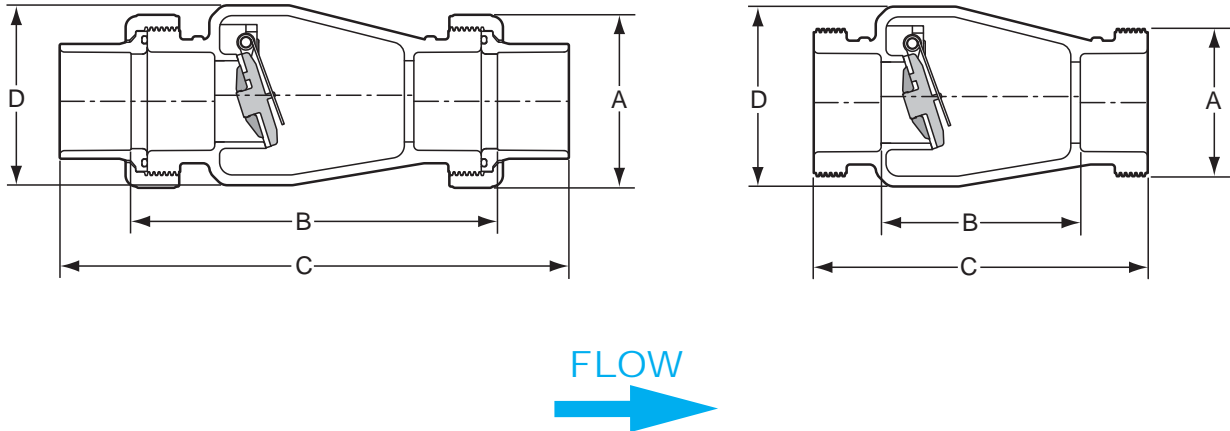




# QUIET CHECK VALVE



## Technical Information



Part Number	Size	A	B	C	D
8622-015	1-1/2	3-3/8	7-1/8	9-15/16	3-1/2
8622-020	2	3-3/4	8-3/4	11-13/16	4-1/2

Part Number	Size	A	B	C	D
8622-015	1-1/2	2-3/4	3-13/16	6-1/2	3-1/2
8622-020	2	3-3/8	5-3/16	8	4-1/2

**Note:** Includes Both True Union Sockets for Easy Servicing and Direct Socket Connection for Installation in Confined Space

The check valve should be installed 12–18" above the pump discharge, or as recommended by the pump system manufacturer. Be sure check valve installation complies with local codes.

The Quiet Check Valve may be installed in either horizontal or vertical position. Check pump system manufacturer's recommendations for horizontal, vertical or angled positioning of check valve in discharge line. In horizontal installations, orient valve according to "This Side Up" marking for best operation. In all installations, valve **MUST** be installed in proper flow direction as indicated by the flow arrow on body.



# Y-CHECK VALVES



## Features - PVC Gray, PVC Clear & CPVC

Spears® Y-Check Valves are an angle type check valve that automatically stops reverse flow by the dead weight of the disc plug. Y-checks are less affected by turbulent flow and typically have lower shutoff characteristics than ball checks. Valves are available in PVC Gray, PVC Clear, and CPVC materials in IPS Sizes 1/2" through 4" with Socket, SR Threaded or Flanged end connections, plus True Union styles with Socket and SR Threaded ends.

## Sample Engineering Specification

All thermoplastic valves shall be Y-Check configuration manufactured to ASTM F 1970 and constructed from PVC, ASTM D 1784 Cell Classification 12454, or CPVC, ASTM D 1784 Cell Classification 23447. All valves shall have Buttress thread bonnet and standard O-ring type seating disc. All O-rings shall be EPDM or FKM. All 1/2" - 2" valves shall be pressure rated at 150 psi and all 3" - 4" valves shall be pressure rated at 90 psi for water at 73°F, as manufactured by Spears® Manufacturing Company.

- Chemical & Corrosion Resistant PVC, PVC Clear, and CPVC Construction
- Improved Flow Characteristics Over Ball Checks, Outperforms Spring Loaded Designs
- Easy Access Cap for In-Line Clean Out & Servicing
- Optional True Union Design for Easy Valve Service Replacement
- Standard O-ring type EPDM or FKM Seat & Seals
- Sizes 1/2" – 2" Pressure Rated to 150psi @ 73°F, Sizes 3" – 4" Pressure Rated to 90 psi @ 73°F
- Suitable for either Horizontal or Vertical Up-flow Installations
- Assembled with Silicone-Free, Water Soluble Lubricants

## Quick-View Valve Selection Chart

Valve Size	O-ring Material	PVC Part Number <sup>1,2,3</sup>					Pressure Rating
		Socket	SR Threaded	Flanged	Soc Union	SR Thd Union	
1/2	EPDM	1622-005	1621-005SR	1623-005	162A-005	162B-005SR	150 psi Non-Shock Water @ 73°F
	FKM	1632-005	1631-005SR	1633-005	163A-005	163B-005SR	
3/4	EPDM	1622-007	1621-007SR	1623-007	162A-007	162B-007SR	
	FKM	1632-007	1631-007SR	1633-007	163A-007	163B-007SR	
1	EPDM	1622-010	1621-010SR	1623-010	162A-010	162B-010SR	
	FKM	1632-010	1631-010SR	1633-010	163A-010	163B-010SR	
1-1/4	EPDM	1622-012	1621-012SR	1623-012	162A-012	162B-012SR	
	FKM	1632-012	1631-012SR	1633-012	163A-012	163B-012SR	
1-1/2	EPDM	1622-015	1621-015SR	1623-015	162A-015	162B-015SR	
	FKM	1632-015	1631-015SR	1633-015	163A-015	163B-015SR	
2	EPDM	1622-020	1621-020SR	1623-020	162A-020	162B-020SR	
	FKM	1632-020	1631-020SR	1633-020	163A-020	163B-020SR	
3	EPDM	1622-030	1621-030SR	1623-030	162A-030	162B-030SR	90 psi Non-Shock Water @ 73°F
	FKM	1632-030	1631-030SR	1633-030	163A-030	163B-030SR	
4	EPDM	1622-040	1621-040SR	1623-040	162A-040	162B-040SR	
	FKM	1632-040	1631-040SR	1633-040	163A-040	163B-040SR	

1: For CPVC Y-Check, add the letter "C" to the part number (e.g. 1622-005C)  
 2: For PVC Clear Y-Check, add the letters "CL" to the part number (e.g. 1622-005CL) or (e.g. 162A-005CL)  
 3: For CPVC or PVC Clear Special Reinforced Y-Check, (e.g. 1621-005CSR) or (e.g. 1621-005CLSR)

## Replacement Parts (next page)

NO.	COMPONENT	QTY.	MATERIAL
1	Body <sup>1</sup> (SOC/SR/FLG/UNION)	1	PVC/CLEAR/CPVC
2	Seat	1	EPDM/FKM
3	Compressor Assembly <sup>2</sup>	1	PVC/CPVC
4	Bonnet O-ring	1	EPDM/FKM
5	Bonnet Nut	1	PVC/CPVC
6	Bonnet	1	PVC/CPVC
7	Retaining Clip	1	PP
8	Plug O-ring	1	EPDM/FKM
9	Plug	1	PVC/CPVC
10	Union O-ring	2	EPDM/FKM
11	Union Socket End	2	PVC/CPVC
12	Union SR Threaded End	2	PVC/CPVC

1 - Body Includes: Body (1), Spigot Adapters (2), SS Collars (2)  
 - Flange Body Includes: Body (1), Spigot Hubs (2), Flange Rings (2)  
 - Union Body Includes: Body (1), Spigot Ends (2), Nuts (2)

2 - Compressor Assembly Includes: Compressor (1), Weight (1), Compressor Plug (1)

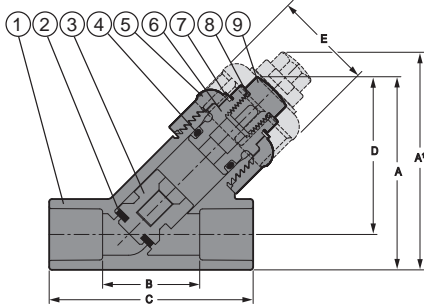
## Temperature Pressure Rating

System Operating Temperature °F (°C)		100 (38)	110 (43)	120 (49)	130 (54)	140 (60)	150 (66)	160 (71)	170 (77)	180 (82)	190 (88)	200 (93)	210 (99)	
Valve Pressure Rating psi (MPa)	1/2" - 2"	PVC	150 (1.03)	135 (.93)	110 (.76)	75 (.52)	50 (.34)	-0-	-0-	-0-	-0-	-0-	-0-	
		CPVC	150 (1.03)	140 (.97)	130 (.90)	120 (.83)	110 (.76)	100 (.70)	90 (.62)	80 (.55)	70 (.48)	60 (.41)	50 (.34)	-0-
	3" - 4"	PVC	90 (.70)	85 (.62)	75 (.52)	60 (.41)	40 (.30)	-0-	-0-	-0-	-0-	-0-	-0-	-0-
		CPVC	90 (.70)	85 (.62)	80 (.55)	75 (.52)	70 (.48)	60 (.41)	50 (.34)	45 (.31)	40 (.30)	35 (.24)	30 (.21)	-0-

## C<sub>v</sub> Values

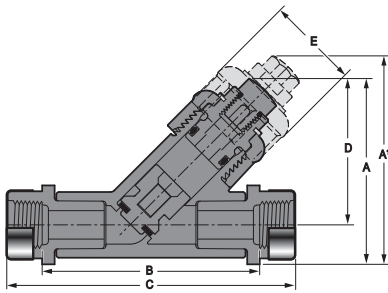
Size	Values
1/2	6.7
3/4	12.6
1	22.9
1-1/4	33.8
1-1/2	50.7
2	79.2
3	235
4	387

# Y-CHECK VALVES



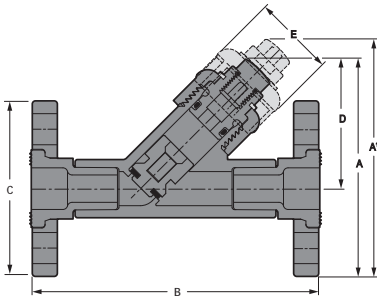
## Socket Y-Check Dimensions & Weights

Nominal Size	Dimension Reference (inches, ± 1/16)						Approx. Wt. (Lbs.)	
	A <sup>1</sup>	A	B	C	D	E	Socket	
							PVC	CPVC
1/2	4-1/32	3-5/32	1-19/32	3-11/32	2-19/32	1-5/8	.31	.33
3/4	4-27/32	3-27/32	2	4	3-5/32	2	.50	.53
1	5-5/8	4-1/2	2-15/32	4-23/32	3-5/8	2-1/4	.85	.90
1-1/4	6-1/2	5-5/16	3-1/32	5-9/16	4-9/32	2-13/16	1.21	1.28
1-1/2	7-17/32	6-1/32	3-19/32	6-5/16	4-7/8	3-5/32	1.66	1.76
2	8-15/32	6-29/32	4-31/32	7-1/2	5-1/2	3-23/32	2.96	3.10
3	12-15/32	9-21/32	6-9/16	10-11/32	7-9/16	5-1/4	5.34	5.64
4	15-17/32	12-11/16	8-5/8	13-1/8	9-25/32	6-17/32	9.97	10.45



## SR Threaded Y-Check Dimensions & Weights

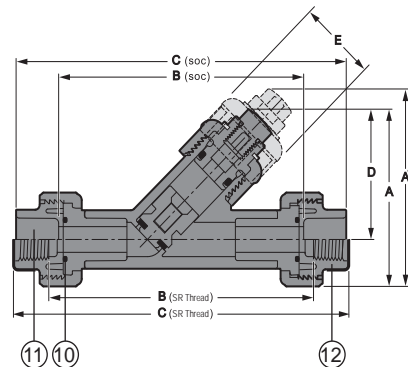
Nominal Size	Dimension Reference (inches, ± 1/16)						Approx. Wt. (Lbs.)	
	A <sup>1</sup>	A	B	C	D	E	SR Threaded	
							PVC	CPVC
1/2	4-5/32	3-9/32	3-27/32	5-1/8	2-19/32	1-5/8	.31	.33
3/4	5	4	4-3/4	5-31/32	3-5/32	2	.50	.53
1	5-25/32	4-21/32	5-9/32	6-15/16	3-5/8	2-1/4	.85	.90
1-1/4	6-23/32	5-1/2	6-1/4	7-31/32	4-9/32	2-13/16	1.21	1.28
1-1/2	7-25/32	6-9/32	7-5/32	8-7/8	4-7/8	3-5/32	1.66	1.76
2	8-3/4	7-3/16	8-5/16	10-1/8	5-1/2	3-23/32	2.96	3.10
3	12-3/4	9-15/16	11-17/32	14-5/16	7-9/16	5-1/4	5.34	5.64
4	15-25/32	12-11/16	14-11/32	17-11/32	9-25/32	6-17/32	9.97	10.45



## Flanged Y-Check Dimensions & Weights

Nominal Size	Dimension Reference (inches, ± 1/16)						Approx. Wt. (Lbs.)	
	A <sup>1</sup>	A	B	C	D	E	Flanged	
							PVC	CPVC
1/2	5-7/32	4-11/32	5-23/32	3-1/2	2-19/32	1-5/8	.82	.85
3/4	6-1/16	5-3/32	6-7/16	3-7/8	3-5/32	2	1.23	1.28
1	6-7/8	5-3/4	7-5/32	4-1/4	3-5/8	2-1/4	1.70	1.81
1-1/4	7-25/32	6-9/16	8-1/8	4-5/8	4-9/32	2-13/16	2.40	2.52
1-1/2	8-7/8	7-3/8	9-5/32	5	4-7/8	3-5/32	3.07	3.25
2	10-1/32	8-15/32	10-1/2	5-31/32	5-1/2	3-23/32	5.20	5.42
3	13-29/32	11-5/16	12-1/16	7-1/2	7-9/16	5-1/4	9.44	10.07
4	17-13/32	14-5/16	15-11/16	9-1/16	9-25/32	6-17/32	14.87	16.15

Note: 4" flanged Y-Check use split flange ring



## True Union Y-Check Dimensions & Weights

Nominal Size	Dimension Reference (inches, ± 1/16)						Approx. Wt. (Lbs.)			
	A <sup>1</sup>	A	B		C		D	E	Union	
			Socket	SR Thread	Socket	SR Thread			PVC	CPVC
1/2	4-3/8	3-1/2	5-3/32	5-1/2	6-7/8	7	2-19/32	1-5/8	.49	.53
3/4	5-5/16	4-9/32	5-7/8	6-13/32	7-29/32	8	3-5/32	2	.80	.85
1	6-1/16	4-29/32	6-15/32	7-5/16	8-3/4	9	3-5/8	2-1/4	1.13	1.20
1-1/4	7-1/16	5-13/16	7-7/16	8-7/32	10-1/8	10-5/32	4-9/32	2-13/16	1.84	1.90
1-1/2	8-1/8	6-5/8	8-1/4	9	11	11-1/16	4-7/8	3-5/32	2.44	2.52
2	9-7/32	7-5/8	9-13/32	10-13/16	12-7/16	12-13/16	5-1/2	3-23/32	4.33	4.45
3	13-7/16	10-5/8	13-5/8	15-11/32	17-13/32	18-7/32	7-9/16	5-1/4	10.35	10.55
4	16-3/4	13-5/8	17-3/32	19-9/32	21-21/32	22-5/16	9-25/32	6-17/32	18.51	18.80

## Drain Plug Tap Size

Y-Check Size	Tap Size (NPT)	Y-Check Size	Tap Size (NPT)
1/2	1/4 - 18	1-1/2	1-11-1/2
3/4	1/4 - 18	2	1-11-1/2
1	3/8 - 18	3	1-11-1/2
1-1/4	1/2 - 14	4	1-11-1/2



## BUTTERFLY CHECK VALVES



### Sample Engineering Specification

All thermoplastic Check Valves shall be Butterfly design constructed from PVC Type I, ASTM D 1784 Cell Classification 12454 or CPVC Type IV, ASTM D 1784 Cell classification 23447. Valves shall be Flanged, Spigot, Male Threaded, Grooved end or Wafer style. All valve seals shall be reinforced EPDM or FKM with replaceable internal components. All 2" - 8" valves shall be pressure rated at 150 psi, all 10" - 16" valves at 100 psi for water at 73°F, all 18" - 24" valves at 50 psi for water at 73°F as manufactured by Spears® Manufacturing Company.

### Features – PVC, CPVC

This multi-purpose check valve provides an extremely low profile and very quick response to back flow without slamming. Since most all components are internal, Spears® Butterfly Check Valves require no more space than a piece of pipe and fitting. Special design incorporates flexible reinforced elastomer seal for long life and is suitable for mounting in any position for greater versatility. Available in IPS sizes 2" - 12" with Flanged, Spigot, Male Threaded, Grooved Pipe style & Wafer end connections, and 14" - 24" Flanged, Spigot, Grooved & Wafer end connections. Can be custom produced to virtually any standard pipe diameter.

- Chemical Resistant PVC & CPVC Construction
- No Metal Components
- Quick Response Shut-off In Any Position
- Replaceable Internal Components - Choice of Reinforced EPDM or FKM
- Suitable for Horizontal or Vertical Installation
- Sizes 2" - 8" Pressure Rated to 150 psi for water at 73°F  
Sizes 10" - 16" Pressure Rated to 100 psi for water at 73°F
- Sizes 18" - 24" Pressure Rated to 50 psi for water at 73°F
- Assembled with Silicone-Free, Water Soluble Lubricants

# BUTTERFLY CHECK VALVES



## Quick-View Butterfly Check Valve Selection Chart

## C<sub>v</sub> Values

Valve Size	O-ring Material	PVC Material <sup>1</sup>					Pressure Rating
		Flanged	Spigot	Threaded	Grooved	Wafer	
2	EPDM	5423-020	5427-020	5421A-020	542G-020	5420-020	150 psi Non-Shock Water @73°F
	FKM	5433-020	5437-020	5431A-020	543G-020	5430-020	
2-1/2	EPDM	5423-025	5427-025	5421A-025	542G-025	5420-025	
	FKM	5433-025	5437-025	5431A-025	543G-025	5430-025	
3	EPDM	5423-030	5427-030	5421A-030	542G-030	5420-030	
	FKM	5433-030	5437-030	5431A-030	543G-030	5430-030	
4	EPDM	5423-040	5427-040	5421A-040	542G-040	5420-040	
	FKM	5433-040	5437-040	5431A-040	543G-040	5430-040	
6	EPDM	5423-060	5427-060	5421A-060	542G-060	5420-060	
	FKM	5433-060	5437-060	5431A-060	543G-060	5430-060	
8	EPDM	5423-080	5427-080	5421A-080	542G-080	5420-080	
	FKM	5433-080	5437-080	5431A-080	543G-080	5430-080	
10	EPDM	5423-100	5427-100	5421A-100	542G-100	5420-100	
	FKM	5433-100	5437-100	5431A-100	543G-100	5430-100	
12	EPDM	5423-120	5427-120	5421A-120	542G-120	5420-120	
	FKM	5433-120	5437-120	5431A-120	543G-120	5430-120	
14	EPDM	5423-140	5427-140	N/A	542G-140	5420-140	
	FKM	5433-140	5437-140	N/A	543G-140	5430-140	
16	EPDM	5423-160	5427-160	N/A	542G-160	5420-160	
	FKM	5433-160	5437-160	N/A	543G-160	5430-160	
18	EPDM	5423-180	5427-180	N/A	542G-180	5420-180	
	FKM	5433-180	5437-180	N/A	543G-180	5430-180	
20	EPDM	5423-200	5427-200	N/A	542G-200	5420-200	
	FKM	5433-200	5437-200	N/A	543G-200	5430-200	
24	EPDM	5423-240	5427-240	N/A	542G-240	5420-240	
	FKM	5433-240	5437-240	N/A	543G-240	5430-240	

Size	C <sub>v</sub> <sup>1</sup>
2	91
2-1/2	123
3	365
4	665
6	1695
8	2990
10	5595
12	8490
14	10,000
16	13,000
18	15,000
20	18,000
24	29,000

1: Gallons per minute at 1 psi pressure drop.

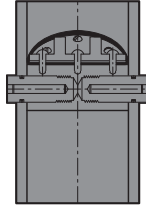
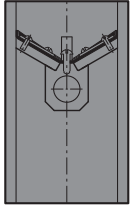
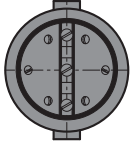
1: For CPVC valves add the letter "C" following the size code of the part number listed (e.g., 5423-020C)

## Temperature Pressure Rating

System Operating Temperature °F (°C)		100 (38)	110 (43)	120 (49)	130 (54)	140 (60)	150 (66)	160 (71)	170 (77)	180 (82)	190 (88)	200 (93)	210 (99)	
Valve Pressure Rating psi (MPa)	2" - 8"	PVC	150 (1.03)	135 (.93)	110 (.76)	75 (.52)	50 (.34)	-0-	-0-	-0-	-0-	-0-	-0-	
		CPVC	150 (1.03)	140 (.97)	130 (.90)	120 (.83)	110 (.76)	100 (.70)	90 (.62)	80 (.55)	70 (.48)	60 (.41)	50 (.34)	-0-
	10" - 16"	PVC	100 (.70)	90 (.62)	80 (.55)	65 (.38)	50 (.34)	-0-	-0-	-0-	-0-	-0-	-0-	-0-
		CPVC	100 (.70)	95 (.66)	90 (.62)	85 (.59)	80 (.55)	75 (.52)	70 (.48)	65 (.45)	60 (.41)	55 (.38)	50 (.34)	-0-
	18" - 24"	PVC	50 (.34)	45 (.31)	40 (.30)	35 (.24)	30 (.21)	-0-	-0-	-0-	-0-	-0-	-0-	-0-
		CPVC	50 (.34)	47 (.32)	45 (.31)	42 (.83)	40 (.30)	37 (.26)	35 (.24)	30 (.21)	25 (.17)	20 (.14)	15 (.10)	-0-

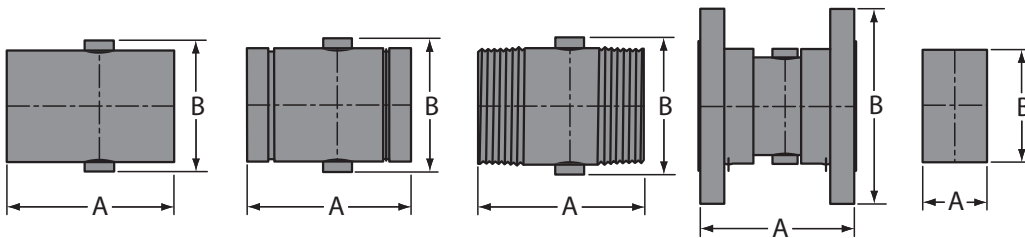


# BUTTERFLY CHECK VALVES



## Replacement Parts

No.	Component	Qty.	Material
1	Body	1	PVC/CPVC
2	Flapper	2	PVC/CPVC
3	Flex Seal Gasket	1	EPDM/FKM
4	Flapper Cover	2	PVC/CPVC
5	Flapper Screws	6	PVC/CPVC
6	Hinge Post Screws	3	Encapsulated SS
7	Post Strip	1	PVC/CPVC
8	Post Bolt	3	PVC/CPVC (Steel Reinforced)
9	O-ring	2	EPDM/FKM
10	Hinge Post	1	PVC/CPVC



## Dimensions

Size	Spigot (Plain End) Valve, Grooved End Valve & Threaded Valve		Flanged		Wafer		Pressure Rating (psi)
	A	B	A	B	A	B	
2	5-3/4	2-9/16	6-1/16	6	1-3/4	4	150
2-1/2	5-3/4	3-3/32	6-1/8	7	2-3/8	4-3/4	150
3	5-3/4	4-1/32	6-1/4	7-1/2	2-3/4	5-1/4	150
4	6-3/4	4-13/16	7-1/4	9	3-5/8	6-5/8	150
6	10-1/2	7-9/32	11-3/8	11	4-1/4	8-5/8	150
8	14	10-7/32	14-9/16	13-1/2	6	11	150
10	16	11-31/32	16-3/8	16	10	13-1/4	100
12	16	14-1/32	17-1/4	19	12	16	100
14	18	14-3/4	20	21	13	17-5/8	100
16	19-3/4	16-17/32	21-1/4	23-1/2	13-1/2	20-1/8	100
18	26-1/2	19-31/32	27	25	15-1/2	21-1/2	50
20	28-7/8	21-25/32	40-7/8	27-1/2	17	23-3/4	50
24	29-7/8	25-21/32	43-7/8	32	19	24	50

As a general guideline, Opening & Closing Pressures will range from .2 to .5 psi for horizontal applications. Opening pressure tends to decrease in larger size valves. Valves installed in vertical up-flow applications will require slightly higher pressures.

## General Installation Information

Butterfly Check Valve seating may be affected by normal system turbulence. Valves should be installed at least 5 pipe diameters away from any fitting. If used as a foot valve, do not place near bottom of a tank. Butterfly type check valves should not be used in continuous cycling applications, such as with reciprocating pumps. This can result in premature failure of sealing membrane. In horizontal installations, always orient the Hinge Post Bolts visible on the external body in a vertical (top and bottom) position, perpendicular to flow. In vertical installations downstream from an elbow, flow velocities can be higher on the outer radius of the elbow. To avoid uneven butterfly plate loading, the Hinge Post Bolts should align with crotch and outer radius of elbow and **NOT** from side to side of the elbow.

**Notes:** Flanged valves are designed for mounting between two (2) ANSI Class 125/150 bolt pattern flanges using user supplied 1/8" full-faced gaskets, bolts, nuts and flat washers. Male thread ends are standard NPT tapered. Grooved ends are for use with mechanical coupler designed for thermoplastic pipe.

# DIAPHRAGM CHECK VALVES



## Features – PVC, CPVC

Spears® Diaphragm Check Valves do not depend on gravity, springs, or even reverse flow to seat. Resilient thermoplastic elastomer (TPE) diaphragm is the only moving component, which automatically seats when flow stops. No sticking, no chatter. This specialty elastomer exhibits high flex and tear resistance to provide excellent durability and long life. Valves are available in PVC and CPVC material size of 3/4" with socket and threaded end connections.

- “Normally Closed” operation is excellent for applications with low seating pressure
- Low cracking pressure, 1 to 1-1/2 psi
- Leak-free, silent operation
- Installs just like a Union – in ANY position
- Pressure rated to 150 psi full-flow (open), 100 psi back pressure (closed) for water @ 73°F
- Santoprene™ TPE diaphragm seat provides extended life and durability – fully serviceable and replaceable
- All materials are NSF® Certified for use with potable water

## Sample Engineering Specification

All thermoplastic Diaphragm Check Valves shall be Diaphragm design constructed from PVC Type 1, ASTM D 1784 Cell Classification 12454 or CPVC Type IV, ASTM D 1784 Cell Classification 23447. Valves shall be socket or threaded ends. All diaphragms shall be Santoprene™ TPE material. Valves shall be pressure rated at 150 psi full-flow (open), 100 psi back pressure (closed) for water @ 73°F, as manufactured by Spears® Manufacturing Company.

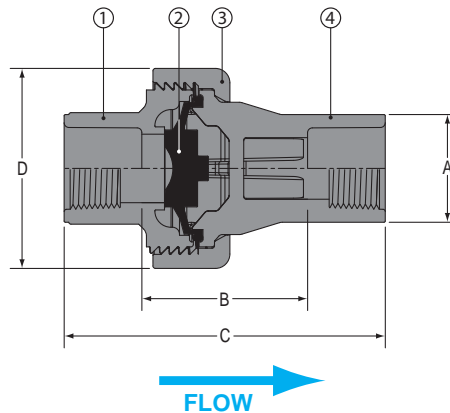
## Quick-View Diaphragm Check Valve Selection Chart

Valve Size	Seat Material	PVC Material <sup>1</sup>		Pressure Rating
		Socket	Threaded	
3/4	SANTOPRENE™	6562-007	6561-007	150 psi @ 73°F Full Flow (open) 100 psi Back Pressure

1: For CPVC Diaphragm Check Valve, add the letter “C” to the part number (e.g. 6562-007C)

## Replacement Parts

No.	Component	Qty	Material
1	Body Inlet	1	PVC/CPVC
2	Diaphragm	1	Santoprene™ Rubber
3	Nut	1	PVC/CPVC
4	Body Outlet	1	PVC/CPVC



## Dimensions & Weights

Nominal Size	Dimension Reference (inches, ±1/16)				Approx. Wt. (Lbs.)	
	A	B		C	D	
		Socket	Threaded			
3/4	1-7/16	2-1/8	2-5/8	4-1/8	2-21/32	PVC .32 CPVC .34

**NOTE:** Check valves **MUST** be installed with the valve’s **FLOW** arrow pointing in the direction of the flow. Flow velocity should not exceed 5 ft./sec. Do not use Union Nut to draw together system components. Using a strap wrench, tighten hand-tight plus no more than 1/16 turn. Do not use conventional pipe wrenches.

Santoprene™ is a trademark of Exxon Mobile Corporation



# IN-LINE ADJUSTABLE SPRING CHECK VALVES



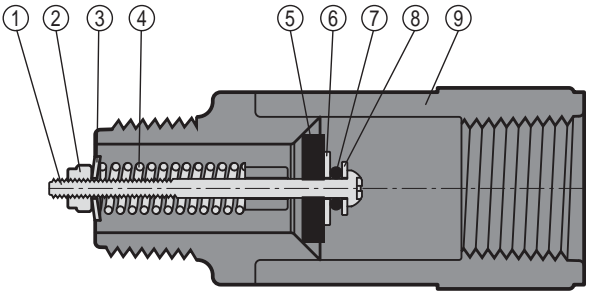
### Features - PVC

Adjustable feature allows control of back pressure in system, reduces water hammer, and prevents siphoning. Easily adjusts to hold back from 5 to 32 feet of pressure head, 1 psi (2.3 feet of head) for each full turn of the adjustment screw. Ideal for landscape and irrigation applicators, quickly installs with space saving in-line design.

- 2 - 14 lbs. Adjustable Spring Tension (5 to 32 feet of head)  
Factory Preset to Approx. 5 psi (12 feet of head)
- Stainless Steel Adjustment Spring with EPDM Seat
- Pressure Rated to 200 psi for Water @ 73°F
- Standard Unit Available in 1/2", 3/4", 1" & 1 1/2" x 3/4" with Fipt Inlet x Mipt Outlet Configuration
- Plus, Popular Configuration Options of 1/2" Mipt Inlet x Fipt Outlet & 3/4" Fipt Inlet x Fipt Outlet

### Sample Engineering Specification

All thermoplastic check valves shall be Adjustable Spring Check type constructed from PVC Type I, ASTM D 1784 Cell Classification 12454. All Valve Seats shall be EPDM. All valves shall have external Arrow Flow Indicator. All valves shall be pressure rated to 200 psi water at 73°F, as manufactured by Spears® Manufacturing Company.



### Quick-View Valve Selection Chart

Standard Unit - Female Inlet x Male Outlet		
Size	Part Number	Configuration
1/2	S1102-05	Fipt x Mipt (Inlet x Outlet)
3/4	S1102-07	Fipt x Mipt (Inlet x Outlet)
1	S1102-10	Fipt x Mipt (Inlet x Outlet)
1/2 x 3/4	S1102-05-07	Fipt x Mipt (Inlet x Outlet)
Male Inlet x Female Outlet Option		
Size	Part Number	Configuration
1/2	S1101-05	Mipt x Fipt (Inlet x Outlet)
Female Inlet x Female Outlet Option		
Size	Part Number	Configuration
3/4	S1100-07	Fipt x Fipt (Inlet x Outlet)

### Replacement Parts

No.	Component	Qty.	Material
1	Screw	1	Stainless Steel
2	Nut	1	Stainless Steel
3	Belleville Washer	1	Stainless Steel
4	Spring	1	Stainless Steel
5	Seat	1	EPDM
6	Washer - A	1	Stainless Steel
7	O-ring	1	EPDM
8	Washer - B	1	Stainless Steel
9	Body	1	PVC



# IN-LINE ADJUSTABLE SPRING CHECK VALVES

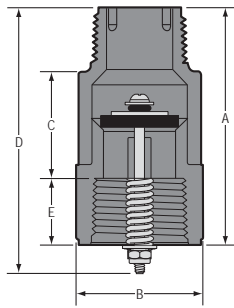


FIG. I  
Standard Unit Female Inlet x  
Male Outlet

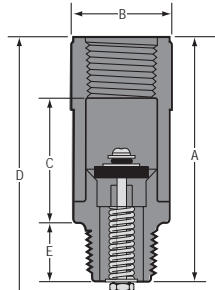


FIG. II  
Male Inlet x  
Female Outlet Option

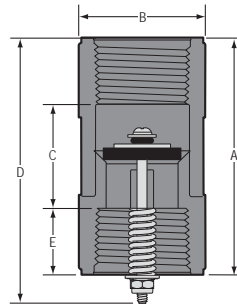


FIG. III  
Female Inlet x  
Female Outlet Option



## Dimensions

SIZE	INLET X OUTLET	A ± 1/16	B ± 1/16	C ± 1/16	D ± 1/16	E ± 1/16	FIG.
1/2	FIPT X MIPT	2-5/8	1-3/16	1-3/16	2-3/4	3/4	I
3/4	FIPT X MIPT	2-5/8	1-3/8	1-3/16	2-15/16	3/4	I
1	FIPT X MIPT	3-3/16	1-11/16	1-7/16	3-7/16	7/8	I
1/2 x 3/4	FIPT X MIPT	2-5/8	1-3/8	1-3/16	2-15/16	3/4	I
1/2	MIPT X FIPT	2-7/8	1-3/16	1-7/16	3-1/8	3/4	II
3/4	FIPT X FIPT	2-5/8	1-3/8	1-3/16	2-15/16	3/4	III

## Temperature Pressure Rating

System Operating Temperature °F (°C)			100 (38)	110 (43)	120 (49)	130 (54)	140 (60)	150 (66)	160 (71)	170 (77)	180 (82)	190 (88)	200 (93)	210 (99)
Valve Pressure Rating psi (MPa)	1/2"-1"	PVC	200 (1.38)	135 (.93)	120 (.83)	75 (.52)	50 (.34)	-0- (-0-)	-0- (-0-)	-0- (-0-)	-0- (-0-)	-0- (-0-)	-0- (-0-)	-0- (-0-)



# BACKWATER VALVES



**Basic Valve**

- All PVC Construction with EPDM Flapper Seal
- Threaded Top Plug for Convenient Service
- Simple Snap-In Internal Flapper Assembly for Easy Replacement
- Optional Factory Assembled Service-Access Extension Kits - External Housing with Internal Extension for Convenient Removal, Inspection or Replacement
- Optional Extension Components Kits for Assembly with User-Supplied Pipe
- Available in Sizes 2", 3", 4" and 6" with Socket Ends
- Direct Connection to ASTM D 2665 PVC DWV or other IPS size pipe. Spears® IPS x Sewer Adapters Available for Connection to ASTM 3034 Sewer
- Conforms to ASME/ANSI A112.14.1 for Backwater Valves
- Pressure Rated to 43 psi (100 feet of head) @ 73°F

## Sample Engineering Specification

All thermoplastic valves shall be Backwater type constructed from PVC Type I, ASTM D 1784 Cell Classification 12454. All Valve Seats shall be EPDM. All valves shall have external Arrow Flow Indicator. All valves shall be pressure rated to 43 psi (100 feet of Head) for water @ 73°F as manufactured by Spears® Manufacturing Company.

## Quick-View Backwater Valve Selection Chart Standard Valve

Valve Size	Seat Material	PVC Material	Pressure Rating
		Socket	
2	EPDM	S275P	43 psi (100 feet of Head)
3	EPDM	S375P	
4	EPDM	S475P	
6	EPDM	S675P	

## Features - PVC Gray

Backwater Valves are designed to prevent backflow in numerous applications where easy service access for maintenance and cleaning is needed. Excellent for use in sanitary or storm sewer drainage systems to prevent waste back up due to inadequate drainage, for balancing multi-level ponds, aquaculture features or storage tank systems, and many other applications. Spears® Backwater Valve has been engineered for improved function and easier service, especially in buried service with use of optional Service-Access Extension Kit.



**Valve with Extension Kit**

## PVC Service-Access Extension Kit Options:

Available as a complete unit, with or without valve, factory assembled to internal flap assembly, extension pipe, and external extension housing with top access adapter in convenient increments of 12", 16", 20", 24", 36", and 48" (measured from top of valve to top of extension). All extension kits can be cut shorter in the field for custom fits. Also available as Extension Components Kits, with or without valve for assembly with user-supplied Class 125 or Schedule 40 pipe. Kits without valve require use of existing valve top Access Plug, all kits require solvent cement assembly to valve. Contact Spears® for pricing on custom cut lengths.

## Quick View Extension Components Kit Options

Extension Adapters and Flap Assembly with or without valve. Must be assembled with user-supplied Class 125 or Schedule 40 Pipe.

Valve Size	Socket Valve With Extension Component Kit	Extension Component Kit Only	Pressure Rating
2	S275P-AK	S275P-ECK	43 psi (100 feet of head)
3	S375P-AK	S375P-ECK	
4	S475P-AK	S475P-ECK	
6	S675P-AK	S675P-ECK	

# BACKWATER VALVES



## Quick View Backwater Valves with Extension Kit to Premade Lengths

Socket Valve with complete Extension Assembly in precut lengths.

Valve x Extension Size <sup>1</sup>	Socket Valve With Extension	Valve x Extension Size <sup>1</sup>	Socket Valve With Extension	Pressure Rating
2 x 12HT	S275P-120	4 x 12HT	S475P-120	43 psi (100 feet of head)
2 x 16HT	S273P-160	4 x 16HT	S473P-160	
2 x 20HT	S275P-200	4 x 20HT	S475P-200	
2 x 24HT	S275P-240	4 x 24HT	S475P-240	
2 x 36HT	S275P-360	4 x 36HT	S475P-360	
2 x 48HT	S275P-480	4 x 48HT	S475P-480	
3 x 12HT	S375P-120	6 x 12HT	S675P-120	
3 x 16HT	S373P-160	6 x 16HT	S673P-160	
3 x 20HT	S375P-200	6 x 20HT	S675P-200	
3 x 24HT	S375P-240	6 x 24HT	S675P-240	
3 x 36HT	S375P-360	6 x 36HT	S675P-360	
3 x 48HT	S375P-480	6 x 48HT	S675P-480	

1 - Size designates nominal valve size x extension height (HT-top of valve to top of extension, inches).

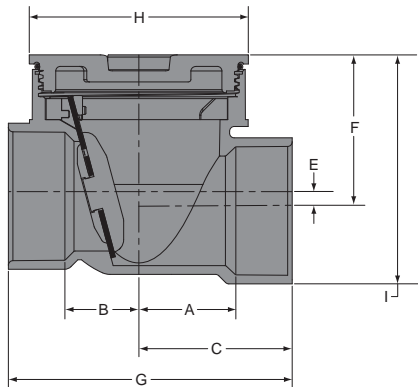
## Quick View Service Access Extension Kit Only In Premade Lengths (valve not included)

Extension Assembly in precut lengths. Use exiting valve top Access Plug.

Size <sup>1</sup>	Premade Extension	Size <sup>1</sup>	Premade Extension	Pressure Rating
2 x 12HT	SAEK-020-120	4 x 12HT	SAEK-040-120	43 psi (100 feet of head)
2 x 16HT	SAEK-020-160	4 x 16HT	SAEK-040-160	
2 x 20HT	SAEK-020-200	4 x 20HT	SAEK-040-200	
2 x 24HT	SAEK-020-240	4 x 24HT	SAEK-040-240	
2 x 36HT	SAEK-020-360	4 x 36HT	SAEK-040-360	
2 x 48HT	SAEK-020-480	4 x 48HT	SAEK-040-480	
3 x 12HT	SAEK-030-120	6 x 12HT	SAEK-060-120	
3 x 16HT	SAEK-030-160	6 x 16HT	SAEK-060-160	
3 x 20HT	SAEK-030-200	6 x 20HT	SAEK-060-200	
3 x 24HT	SAEK-030-240	6 x 24HT	SAEK-060-240	
3 x 36HT	SAEK-030-360	6 x 36HT	SAEK-060-360	
3 x 48HT	SAEK-030-480	6 x 48HT	SAEK-060-480	

1 - Size designates nominal valve size x extension height (HT-top of valve to top of extension, inches). All extension kits can be cut shorter in the field for custom fits.

### STANDARD VALVE



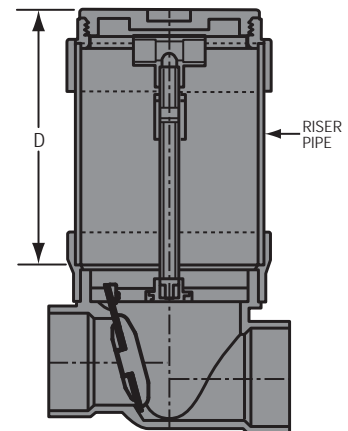
### Standard Valve Dimensions

Size	A	B	C	E	F	G	H	I
2	1-13/16	1-3/4	2-5/8	5/16	3-1/4	5-9/32	4-3/16	4-9/16
3	2-5/8	2	4-3/16	13/32	4-1/8	7-3/4	6	6-1/8
4	3-5/8	3-3/4	5-7/16	23/32	5-7/16	10-15/16	8-1/4	7-15/16
6	4-3/4	4-5/8	7-3/4	13/16	7-3/16	15-3/8	11-1/4	10-13/16

### VALVE WITH EXTENSION KIT

### Valve with Extension Kit Dimensions (Inches)

HEIGHT-D
12
16
20
24
36
48
D = Top of plug Standard Valve to top of plug with Extension





# Y-STRAINERS

## Features - PVC Gray, PVC Clear & CPVC

Spears® Y-type sediment strainers are the perfect choice for in-line removal of suspended solids, sediment, dirt and debris. Convenient removable strainer basket allows quick cleaning with an assortment of screen mesh sizes to meet a variety of application needs. Spears® Y-Strainers are produced from PVC Gray, PVC Clear for fluid visibility and CPVC Gray for higher temperatures. Available with socket, Special Reinforced (SR) threads, flanged, or True Union socket and SR threaded end connectors in IPS sizes 1/2" - 4".



## Sample Engineering Specification

All sediment strainers shall be Y-type constructed from PVC Type I, ASTM D 1784 Cell Classification 12454 or CPVC Type IV, ASTM D 1784 Cell Classification 23447. All O-rings shall be EPDM or FKM. All Y-strainers shall have replaceable PVC, CPVC or Type 316 stainless steel screens and O-ring sealed drain plugs with magnetic drain plug option. All threaded Y-Strainers shall have Special Reinforced (SR) threads. All Y-Strainers, sizes 1/2"- 2" shall be pressure rated to 150 psi, sizes 3"- 4" to 90 psi for water at 73°F, as manufactured by Spears® Manufacturing Company.

- Provides In-line Protection of Process Equipment
- PVC, CPVC or PVC Clear Construction
- EPDM or FKM O-ring Seals
- Removable Strainer Basket with O-ring Sealed Drain Plug Allows Quick-Flushing or Bleed-Off Valve Connection
- Multiple Strainer Screen Options in PVC, CPVC, and Type 316 Stainless Steel (see Mesh Code table)
- Optional Magnetic Drain Plug for Ferrous Metal Pickup
- Suitable for Horizontal or Vertical Installation
- Sizes 1/2"- 2" Pressure Rated to 150 psi @ 73°F  
Sizes 3"- 4" to 90 psi @ 73°F
- Assembled with Silicone-Free, Water Soluble Lubricants

## Quick-View Y-Strainer Selection Chart

Valve Size	O-ring Material	PVC Material <sup>1,2,3</sup>					Pressure Rating
		Socket	SR Threaded	Flanged	Socket Union	SR Threaded Union	
1/2	EPDM	YS22P__-005	YS21P__-005SR	YS23P__-005	YS2AP__-005	YS2BP__-005	150 psi Non-Shock Water @73°F
	FKM	YS32P__-005	YS31P__-005SR	YS33P__-005	YS3AP__-005	YS3BP__-005	
3/4	EPDM	YS22P__-007	YS21P__-007SR	YS23P__-007	YS2AP__-007	YS2BP__-007	
	FKM	YS32P__-007	YS31P__-007SR	YS33P__-007	YS3AP__-007	YS3BP__-007	
1	EPDM	YS22P__-010	YS21P__-010SR	YS23P__-010	YS2AP__-010	YS2BP__-010	
	FKM	YS32P__-010	YS31P__-010SR	YS33P__-010	YS3AP__-010	YS3BP__-010	
1-1/4	EPDM	YS22P__-012	YS21P__-012SR	YS23P__-012	YS2AP__-012	YS2BP__-012	
	FKM	YS32P__-012	YS31P__-012SR	YS33P__-012	YS3AP__-012	YS3BP__-012	
1-1/2	EPDM	YS22P__-015	YS21P__-015SR	YS23P__-015	YS2AP__-015	YS2BP__-015	
	FKM	YS32P__-015	YS31P__-015SR	YS33P__-015	YS3AP__-015	YS3BP__-015	
2	EPDM	YS22P__-020	YS21P__-020SR	YS23P__-020	YS2AP__-020	YS2BP__-020	
	FKM	YS32P__-020	YS31P__-020SR	YS33P__-020	YS3AP__-020	YS3BP__-020	
3	EPDM	YS22P__-030	YS21P__-030SR	YS23P__-030	YS2AP__-030	YS2BP__-030	90 psi Non-Shock Water @73°F
	FKM	YS32P__-030	YS31P__-030SR	YS33P__-030	YS3AP__-030	YS3BP__-030	
4	EPDM	YS22P__-040	YS21P__-040SR	YS23P__-040	YS2AP__-040	YS2BP__-040	
	FKM	YS32P__-040	YS31P__-040SR	YS33P__-040	YS3AP__-040	YS3BP__-040	

Enter Mesh Code in part number blank as specified in table.  
(Contact Spears® for additional strainer sizes).

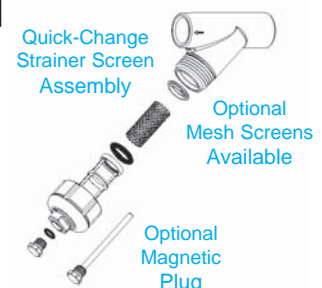
- 1: For CPVC body & strainer screen unit, replace the letter "P" before the dash separator with the letter "C" and add the letter "C" to the part number (e.g., YS22C8-020C)
- 2: For stainless steel strainer screens, replace the letter "P" (or "C") before the dash separator with the letter "S" (e.g., YS22S8-020; YS22S8-020C)
- 3: For PVC Clear Y-Strainer, add the letters "CL" to the part number (e.g., YS22P8-005CL)

**Note:** End connections for PVC Clear threaded and flanged Y-strainers are PVC Gray components.

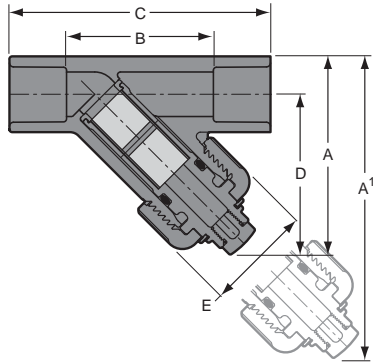
## Mesh Codes for PVC, CPVC & SS

Mesh	Sieve Opening Size (in.)	Mesh Code
8 Mesh	0.094	8
12 Mesh	0.062	12
20 Mesh	0.033	20
30 Mesh	0.024	30

Additional Stainless Steel screens available to 320 mesh, custom ordered.

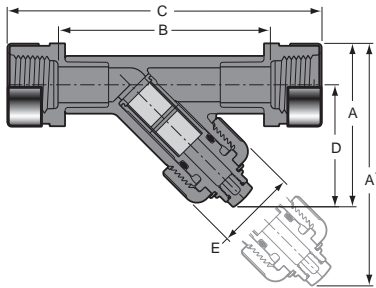


# Y-STRAINERS



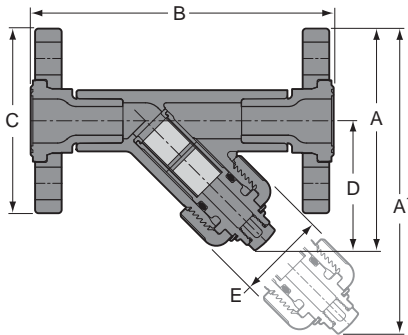
## Socket Y-Strainer Dimensions & Weights

Nominal Size	Dimension Reference (inches, ± 1/16)						Approx. Wt. (Lbs.)	
	A <sup>1</sup>	A	B	C	D	E	Socket	
							PVC	CPVC
1/2	5	3-1/16	1-9/16	3-3/8	2-9/16	1-5/8	.31	.33
3/4	5-3/4	3-11/16	2	4	3	2	.50	.53
1	6-7/8	4-7/16	2-1/2	4-3/4	3-5/8	2-1/4	.85	.90
1-1/4	8-5/32	5-5/16	3-1/16	5-9/16	4-1/4	2-13/16	1.21	1.28
1-1/2	9-1/8	6	3-9/16	6-5/16	4-7/8	3-3/16	1.66	1.76
2	11-3/4	7-5/8	4-1/2	7-1/2	6-3/16	3-1/2	2.96	3.10
3	15	9-11/16	6-9/16	10-5/16	7-5/8	5-1/8	5.34	5.64
4	19-11/16	12-1/2	8-5/8	13-1/8	9-7/8	6-9/16	9.97	10.45



## SR Threaded Y-Strainer Dimensions & Weights

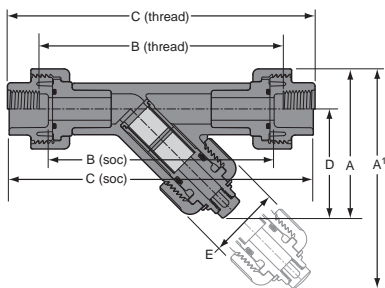
Nominal Size	Dimension Reference (inches, ± 1/16)						Approx. Wt. (Lbs.)	
	A <sup>1</sup>	A	B	C	D	E	SR Threaded	
							PVC	CPVC
1/2	6-1/2	4-11/16	3-5/8	5-1/16	4	2-3/8	.31	.33
3/4	7-5/8	5-7/16	4-3/8	5-13/16	4-9/16	2-3/8	.50	.53
1	8-5/8	6-1/8	5-3/16	7	5-1/8	2-3/8	.85	.90
1-1/4	11-1/8	7-3/4	6	7-15/16	6-1/2	3-1/2	1.21	1.28
1-1/2	12-1/4	8-7/8	6-15/16	8-13/16	7-1/2	3-1/2	1.66	1.76
2	14-1/16	10-3/16	8-1/8	10-1/8	8-1/2	3-1/2	2.96	3.10
3	20	14-13/16	11	14-1/4	12-7/16	6-5/8	5.34	5.64
4	25-13/16	18-1/2	14	14-3/4	15-5/8	7-15/16	9.97	10.45



## Flanged Y-Strainer Dimensions & Weights

Nominal Size	Dimension Reference (inches, ± 1/16)						Approx. Wt. (Lbs.)	
	A <sup>1</sup>	A	B	C	D	E	Flanged	
							PVC	CPVC
1/2	5-13/16	4-3/16	5-11/16	3-1/2	2-1/2	1-5/8	.82	.85
3/4	7-1/8	5	6-7/16	3-7/8	3-1/8	2	1.23	1.28
1	8-3/16	5-3/4	7-1/4	4-1/4	3-5/8	2-1/4	1.70	1.81
1-1/4	9-7/16	6-9/16	8-1/8	4-5/8	4-9/32	2-13/16	2.40	2.52
1-1/2	10-7/16	7-3/8	9-3/16	5	4-7/8	3-3/16	3.07	3.25
2	13-1/4	9-1/8	10-3/8	6	6-3/16	3-1/2	5.20	5.42
3	16-21/32	11-3/8	12-1/32	7-1/2	7-5/8	5-1/8	9.44	10.07
4	21-19/32	14-5/16	14-9/16	9-1/16	9-7/8	6-9/16	14.87	16.15

Note: 4" flanged Y-strainer uses split flange ring

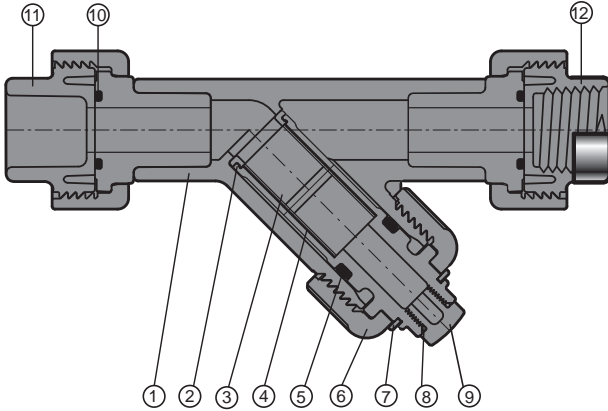


## True Union Y-Strainer Dimensions & Weights

Nominal Size	Dimension Reference (inches, ± 1/16)							Approx. Wt. (Lbs.)		
	A <sup>1</sup>	A	B		C		D	E	Union	
			Socket	SR Thread	Socket	SR Thread			PVC	CPVC
1/2	5	3-7/16	5-1/8	5-1/2	6-7/8	7	2-1/2	1-5/8	.49	.53
3/4	6-3/16	4-1/8	5-7/8	6-7/16	7-7/8	7-7/8	3	2	.80	.85
1	7-5/16	4-7/8	6-1/2	7-3/8	8-3/4	9	3-5/8	2-1/4	1.13	1.20
1-1/4	8-5/8	5-13/16	7-7/16	6-3/16	9-15/16	10-1/8	4-1/4	2-13/16	1.84	1.90
1-1/2	9-3/4	6-5/8	8-3/16	9	10-15/16	10-15/16	4-7/8	3-3/16	2.44	2.52
2	12-7/16	8-15/16	9-7/16	10-13/16	12-7/16	12-13/16	6-3/16	3-1/2	4.33	4.45
3	16-1/6	10-3/4	12-3/16	13-15/16	16	16-3/4	7-5/8	5-1/8	10.35	10.55
4	20-15/16	13-3/4	15-5/16	17-1/2	19-13/16	20-1/2	9-7/8	6-9/16	18.51	18.80



# Y-STRAINERS



## Replacement Parts

NO.	COMPONENT	QTY.	MATERIAL
1	Body <sup>1</sup> (SOC/SR/FLANGE/UNION)	1	PVC/PVC CLEAR/CPVC
2	Screen Support Ring	1	PVC/CPVC
3	Screen	1	PVC/CPVC/SS 316
4	Screen Support Housing	1	PVC/CPVC
5	Housing O-ring	1	EPDM/FKM
6	Bonnet Nut	1	PVC/CPVC
7	Retaining Clip	1	PP
8	Plug O-ring	1	EPDM/FKM
9	Plug	1	PVC/CPVC
10	Union O-ring	2	EPDM/FKM
11	Union Socket End	2	PVC/CPVC
12	Union SR Threaded End	2	PVC/CPVC

- 1 - Body Includes: Body (1), Spigot Adapters (2), SS Collars (2)
- Flange Body Includes: Body (1), Spigot Hubs (2), Flange Rings (2)
- Union Body Includes: Body (1), Spigot Ends (2), Nuts (2)

## Temperature Pressure Rating

System Operating Temperature °F (°C)		100 (38)	110 (43)	120 (49)	130 (54)	140 (60)	150 (66)	160 (71)	170 (77)	180 (82)	190 (88)	200 (93)	210 (99)
Strainer Pressure Rating psi (MPa)	1/2" - 2"	PVC	150 (1.03)	135 (.93)	110 (.76)	75 (.52)	50 (.34)	-0-	-0-	-0-	-0-	-0-	-0-
		CPVC	150 (1.03)	140 (.97)	130 (.90)	120 (.83)	110 (.76)	100 (.70)	90 (.62)	80 (.55)	70 (.48)	60 (.41)	50 (.34)
	3" - 4"	PVC	90 (.70)	85 (.62)	75 (.52)	60 (.41)	40 (.30)	-0-	-0-	-0-	-0-	-0-	-0-
		CPVC	90 (.70)	85 (.62)	80 (.55)	75 (.52)	70 (.48)	60 (.41)	50 (.34)	45 (.31)	40 (.30)	35 (.24)	30 (.21)

## Drain Plug Tap Size

Y-Strainer Size	Tap Size (NPT)
1/2	1/4 - 18
3/4	1/4 - 18
1	3/8 - 18
1-1/4	1/2 - 14
1-1/2	1 - 11 - 1/2
2	1 - 11 - 1/2
3	1 - 11 - 1/2
4	1 - 11 - 1/2

## Y-Strainer Cv

Nominal Size	Plastic Strainer Mesh			
	8	12	20	30
1/2	5.5	5.4	5.3	5.2
3/4	8.2	7.8	7.5	7.2
1	14.3	13.9	13.6	13.3
1-1/4	33.6	32.9	29.4	25.4
1-1/2	43.8	41.6	33.0	32.1
2	50.6	50.0	49.6	48.8
3	75.2	74.6	74.0	73.4
4	169.5	169.0	168.8	168.0

Gallons per minute at 1 psi pressure drop.  
 Plastic Strainers are perforated PVC or CPVC screens.  
 Standard is mesh.

# GAUGE GUARDS



Optional gauge shown, not included with basic unit

## Features - PVC, CPVC & PP

Gauge Guards isolate process pressure or vacuum gauges from corrosive or other potentially damaging process media by use of a thin PTFE (standard) FKM, or EPDM diaphragm. This flexible membrane accurately transmits system pressure to gauge connection chamber when properly assembled with gauge and liquid filled. Available in PVC, CPVC or Polypropylene construction with 1/2" x 1/4" or 1/4" x 1/4" inlet x outlet NPT connections.

- PTFE Diaphragm (Standard), FKM or EPDM Available
- Type 316 Stainless Steel Fasteners
- 1/4" NPT Gauge Port with O-ring Seal - No Thread Sealant Required
- 1/4" or 1/2" NPT Pressure Inlet Featuring Spears® Patented Special Reinforced (SR) Female Plastic Thread - Suitable for Either Plastic or Metal Male NPT Thread Connection
- Pressure Rated to 235 psi @ 73°F, 16 Bar @ 22°C and Full Vacuum Service
- Mount in Any Position

Note: Elevated service temperatures require system pressure de-rating.

## Quick View Gauge Guard Selection

Inlet Size (in.)	PVC Part Numbers <sup>1,2,3,4</sup>		
	Diaphragm		
	PTFE	EPDM	FKM
1/4	G0004-002	G0002-002	G0003-002
1/2	G0004-005	G0002-005	G0003-005

- 1: Gauge Guard only. Contact Spears® for pre-filled Gauge & Gauge Guard combination units.
- 2: For CPVC, add the letter "C" to the part number (e.g., G0004-002C)
- 3: For PP, add the letter "P" to the part number (e.g., G0004-002P)
- 4: For Special Reinforced add the letters "SR" to the part number (e.g., G0004-002SR)

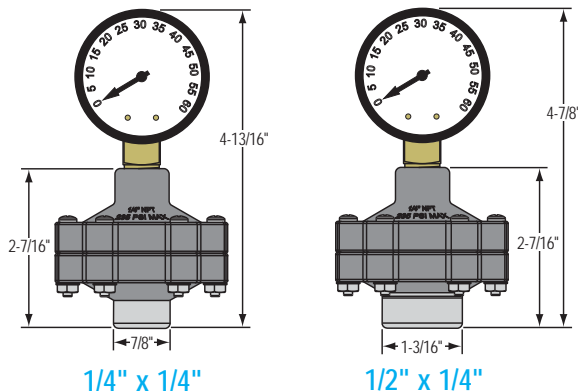
## General Installation Information

The Gauge Guard and gauge must be completely filled with a suitable liquid, such as glycerin or distilled water, on the gauge side of the diaphragm in order to accurately transmit system pressure or vacuum. Follow packaged instructions for proper filling and installation. Factory installed Gauge & Gauge Guard units are pre-filled. (Contact Spears® Technical Service for additional information). While PTFE diaphragms generally have a broader range of chemical resistance, FKM or EPDM elastomer diaphragms are more sensitive and should be used in low pressure (i.e., 0-15 psi) and vacuum applications.

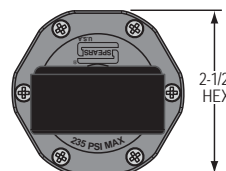
## Optional Pre-filled, Factory Installed Gauge & Gauge Guard

Gauge Type	Available Range	Dial	Connection	Housing
Pressure	0-15 psi 0-30 psi 0-60 psi 0-100 psi 0-160 psi 0-200 psi 0-300 psi	Black marking on white face, black dial	1/4 NPT Brass, Bottom Mount	Steel cased, Epoxy enamel finish
Vacuum	0-30 in-Hg			

## Dimensions



### Top View



Optional gauge shown, not included with basic unit



# BASKET STRAINERS



## Sample Engineering Specification

All thermoplastic Basket Strainers shall be fabricated from PVC Type I, ASTM D 1784 Cell Classification 12454 or CPVC Type IV, ASTM D 1784 Cell Classification 23447 material. All O-rings shall be EPDM or FKM. Strainer baskets shall be perforated PVC, CPVC, or type 316 stainless steel, or type 316 stainless steel wire mesh. Standard strainer perforations shall be 1/8" or 3/32" with a minimum open area ratio of 6:1, or specified perforation/mesh opening. Basket strainer sizes 1/2" - 8" shall have quick release

clamp retained bonnet, sizes 10" - 12" shall have bolt-on bonnet. All basket Strainers shall have pressure release valve and safety pressure gauge. Unit shall be equipped with O-ring sealed drain plug at lower end. Basket strainer sizes 1/2" - 8" shall be pressure rated at 150 psi, sizes 10" - 12" to 50 psi for water at 73°F, as manufactured by Spears® Manufacturing Company.

## Features – PVC, CPVC

Spears® fabricated Basket Strainers are constructed of heavy bodied PVC or CPVC. Available in IPS sizes 1/2" through 12" with choice of socket, spigot or flanged ends and EPDM, FKM or PTFE encapsulated O-ring seals. A convenient quick release clamp cap is equipped with safety pressure gauge and pressure release ball valve for safer system operation and strainer cleaning. Additional drain plug allows complete drain and flush of unit. Designed to remove unwanted solids from plastic or metal piping systems, Spears® Basket Strainers are ideal for protecting valves, filters, pumps, nozzles or other liquid control devices in corrosive or non-corrosive fluid systems.

- Chemical & Corrosion Resistant PVC or CPVC Construction
- Convenient Quick-Release Clamp For easy Bonnet Removal (Bolt-on Bonnet on Sizes 10" & 12")
- Includes Pressure Release Valve and 0-160 psi Safety Pressure Gauge<sup>1</sup> (O-ring sealed plugs provided if valve/gauge not used)
- O-ring Sealed Drain Plug
- EPDM or FKM O-ring Seals
- Perforated PVC & CPVC Strainer Baskets in a Variety of Sizes. Stainless Steel Available in perforation and Multiple Mesh Sizes
- High Volume 6:1 Open Area Ratio
- Sizes 1/2" - 8" Pressure Rated to 150 psi @ 73°F  
Sizes 10" - 12" Pressure Rated to 50 psi @ 73°F
- Assembled with Silicone-Free Seal Lubricants.

1: Commercial bronze bourdon-tube type pressure gauge w/brass NPT inlet. Check for any chemical compatibility issues. Contact Spears® for PVC, CPVC or PP Gauge Guard isolation devices available.

## Quick-View Basket Strainer Selection Chart

Valve Size	O-ring Material	PVC Part Numbers <sup>1,2,3</sup>			Pressure Rating
		Socket	Spigot	Flanged	
1/2	EPDM	BS22P__-005	BS27P__-005	BS23P__-005	150 psi Non-Shock Water @ 73°F
	FKM	BS32P__-005	BS37P__-005	BS33P__-005	
3/4	EPDM	BS22P__-007	BS27P__-007	BS23P__-007	
	FKM	BS32P__-007	BS37P__-007	BS33P__-007	
1	EPDM	BS22P__-010	BS27P__-010	BS23P__-010	
	FKM	BS32P__-010	BS37P__-010	BS33P__-010	
1-1/4	EPDM	BS22P__-012	BS27P__-012	BS23P__-012	
	FKM	BS32P__-012	BS37P__-012	BS33P__-012	
1-1/2	EPDM	BS22P__-015	BS27P__-015	BS23P__-015	
	FKM	BS32P__-015	BS37P__-015	BS33P__-015	
2	EPDM	BS22P__-020	BS27P__-020	BS23P__-020	
	FKM	BS32P__-020	BS37P__-020	BS33P__-020	
2-1/2	EPDM	BS22P__-025	BS27P__-025	BS23P__-025	
	FKM	BS32P__-025	BS37P__-025	BS33P__-025	
3	EPDM	BS22P__-030	BS27P__-030	BS23P__-030	
	FKM	BS32P__-030	BS37P__-030	BS33P__-030	
4	EPDM	BS22P__-040	BS27P__-040	BS23P__-040	
	FKM	BS32P__-040	BS37P__-040	BS33P__-040	
6	EPDM	BS22P__-060	BS27P__-060	BS23P__-060	
	FKM	BS32P__-060	BS37P__-060	BS33P__-060	
8	EPDM	BS22P__-080	BS27P__-080	BS23P__-080	
	FKM	BS32P__-080	BS37P__-080	BS33P__-080	
10	EPDM	BS22P__-100	BS27P__-100	BS23P__-100	50 psi Non-Shock Water @ 73°F
	FKM	BS32P__-100	BS37P__-100	BS33P__-100	
12	EPDM	BS22P__-120	BS27P__-120	BS23P__-120	
	FKM	BS32P__-120	BS37P__-120	BS33P__-120	

Enter Mesh Code in part number blank as specified in table.

(Contact Spears® for additional strainer sizes).

- 1: For CPVC body & strainer screen unit, replace the letter "P" before the dash separator with the letter "C" and add the letter "C" to the part number (e.g., BS22C8-020C)
- 2: For stainless steel strainer screens, replace the letter "P" (or "C") before the dash separator with the letter "S" (e.g., BS22S8-020; BS22S8-020C)
- 3: For Basket Strainers with PTFE O-rings replace the number 2 with the number 5 (e.g. BS53P-010)

## Special Options

- PTFE Encapsulated O-ring Seals
- Bonnet Sight Glass

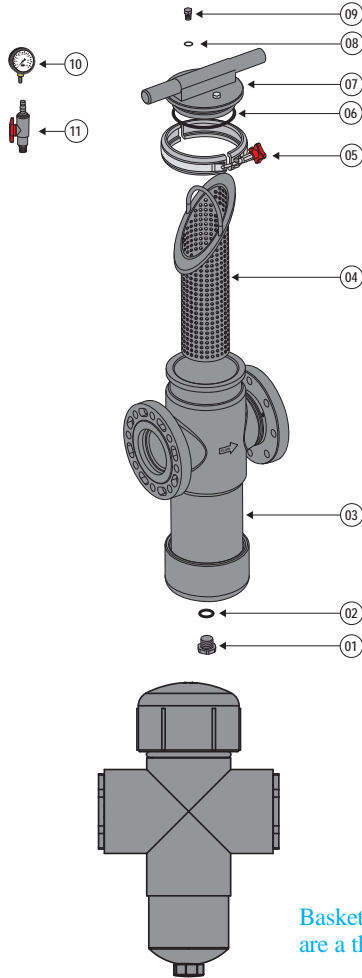
## Perforation Mesh Codes

Perforation Size (in.)	Mesh Code
1/16	12
3/32	8
1/8	6
3/16	4
1/4	3
3/8	2

Example: BS22P6-020  
Additional perforation and mesh sizes available upon request.



# BASKET STRAINERS

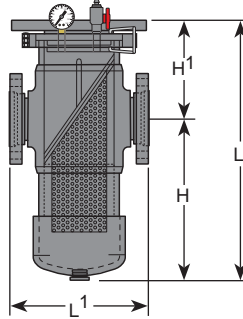


## Replacement Parts

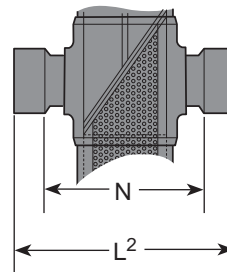
No.	Component	Quantity	Material
1	Drain Plug	1	PVC/CPVC
2	Drain Plug O-ring	1	EPDM/FKM/PTFE
3	Body	1	PVC/CPVC
4	Strainer Basket	1	PVC/CPVC /316 Stainless Steel
5	Bonnet Clamp	1	SS 316
6	Bonnet O-ring	1	EPDM/FKM/PTFE
7	Bonnet	1	PVC/CPVC
8	Plug O-ring	2	EPDM/FKM/PTFE
9	Gauge Port Plug	2	PVC/CPVC
10	Pressure Gauge	1	0-160 psi
11	Pressure Relief Valve	1	PVC/CPVC

- Notes:**
- 1) Bolt-on Bonnet on Sizes 10" & 12".
  - 2) Port plugs for use when pressure gauge and relief valve are not installed.
  - 3) Valve O-rings correspond to Strainer Basket Specification.

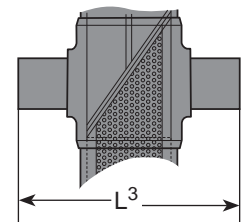
### Flanged Style



### Socket Style



### Spigot Style



Basket Strainer sizes 1/2" through 1" bonnets are a threaded cap with O-ring seal.

## Dimensions, Weights & Cv Values

Size	H	H <sup>1</sup>	L	L <sup>1</sup>	L <sup>2</sup>	L <sup>3</sup>	N	Approx. Wt. (Lbs.)		Cv
								Socket/ Spigot	Flanged	
1/2	5-7/8	4-9/16	10-7/16	9-1/4	6-13/16	9-9/16	5-1/8	2.97	3.35	4.5
3/4	5-7/8	4-9/16	10-7/16	9-1/4	6-7/16	9-7/16	4-7/16	2.99	3.44	10
1	5-7/8	4-9/16	10-7/16	10-3/8	6-13/16	10-1/16	4-1/2	3.02	3.50	15
1-1/4	10-1/4	7-7/8	18-1/8	8-9/16	10-1/16	10-1/4	7-9/16	3.20	3.60	30
1-1/2	10-1/4	7-7/8	18-1/8	8-3/4	11-1/8	11	8-1/8	3.50	3.75	46
2	10-1/4	7-7/8	18-1/8	8-3/4	12-1/8	11	8-5/8	11.00	11.40	72
2-1/2	10-1/4	7-7/8	18-1/8	8-3/4	12-3/8	12-7/8	8-3/8	12.30	12.60	110
3	13-13/16	8-3/4	22-9/16	11-5/8	16-1/8	15	11-5/8	25.00	25.40	172
4	17-5/16	8-3/4	26-1/16	12	18	17-1/2	13-1/2	25.70	26.80	270
6	18-7/8	10-9/16	29-7/16	17-1/8	24-3/8	23-5/16	17-7/8	58.40	60.80	630
8	24-1/2	11-9/16	36-1/16	20-1/2	30-1/2	27-1/2	22	93.60	96.00	750
10	27-1/8	16-5/8	43-3/4	26	34-9/16	34-1/2	24-1/16	200.20	210.30	893
12	34-7/8	17-3/16	52-1/16	28-1/8	38-3/4	36-1/4	26-1/4	229.30	239.80	1063

Cv = Gallons per minute at 1 psi pressure drop.

## Temperature Pressure Rating

System Operating Temperature °F (°C)		100 (38)	110 (43)	120 (49)	130 (54)	140 (60)	150 (66)	160 (71)	170 (77)	180 (82)	190 (88)	200 (93)	210 (99)	
Valve Pressure Rating psi (MPa)	1/2" - 8"	PVC	150 (1.03)	135 (.93)	110 (.76)	75 (.52)	50 (.34)	-0-	-0-	-0-	-0-	-0-	-0-	
		CPVC	150 (1.03)	140 (.97)	130 (.90)	120 (.83)	110 (.76)	100 (.70)	90 (.62)	80 (.55)	70 (.48)	60 (.41)	50 (.34)	-0-
	10" - 12"	PVC	50 (.34)	45 (.31)	40 (.30)	35 (.24)	30 (.21)	-0-	-0-	-0-	-0-	-0-	-0-	-0-
		CPVC	50 (.34)	47 (.32)	45 (.31)	42 (.83)	40 (.30)	37 (.26)	35 (.24)	30 (.21)	25 (.17)	20 (.14)	15 (.10)	-0-



# SUCTION STRAINERS



## Features – PVC

The Suction Strainer is a special Basket Strainer design that reduces pressure drop, a critical element in suction line applications. While same-size (inlet/outlet) units are available, the enlarged inlet on reducing sizes perform best in suction-line applications.

- Chemical & Corrosion Resistant PVC Construction
- Bolt-on Bonnet with Top Sight Glass, Standard
- Stainless Steel Strainer Basket with 3/16" Perforation, Standard
- Bottom-Drained Internal Strainer Basket for Direct Flushing
- 360° Adjustable Side Mounted Flush-Discharge Valve Assembly
- EPDM Seals Standard
- Pressure rated to 50 psi @ 73°F

Contact Spears® for additional Basket Mesh/Perforation, Elastomer seal options, or other custom requirements desired.

## Sample Engineering Specification

All thermoplastic Suction Strainers shall be fabricated from PVC Type I Cell Classification 12454 material. All O-rings shall be EPDM. Strainer basket shall be type 316 stainless steel. Standard strainer perforations shall be 3/16" with a minimum open area ratio of 6:1. Basket shall have bottom-drained direct discharge with 360° adjustable side discharge assembly, including Ball Valve at terminal end. Unit shall have bolt-on bonnet with built-in sight glass. Suction strainer shall be pressure rated at 50 psi for water at 73°F, as manufactured by Spears® Manufacturing Company.

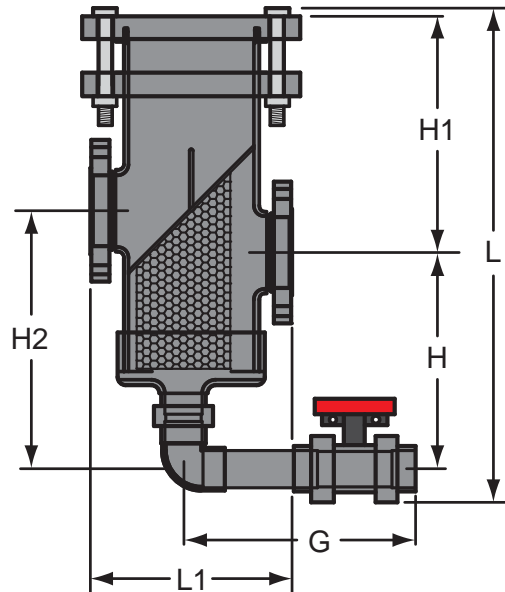
## Suction Strainer Stainless Steel Baskets 3/16" Perforation

Size	Part Number
4	SSS4-040
6	SSS4-060
8	SSS4-080
10	SSS4-100
12	SSS4-120

## Quick-View Suction Strainer Selection Chart

Valve Size	O-ring Material	Part Numbers	Pressure Rating
		Flanged	
4	EPDM	SS23BS4SG-040	50 psi Non-Shock Water @73°F
4 x 2	EPDM	SS23BS4SG-420	
4 x 2-1/2	EPDM	SS23BS4SG-421	
4 x 3	EPDM	SS23BS4SG-422	
6	EPDM	SS23BS4SG-060	
6 x 4	EPDM	SS23BS4SG-532	
8	EPDM	SS23BS4SG-080	
8 x 4	EPDM	SS23BS4SG-582	
8 x 6	EPDM	SS23BS4SG-585	
10	EPDM	SS23BS4SG-100	
10 x 6	EPDM	SS23BS4SG-626	
10 x 8	EPDM	SS23BS4SG-628	
12	EPDM	SS23BS4SG-120	
12 x 8	EPDM	SS23BS4SG-668	
12 x 10	EPDM	SS23BS4SG-670	

# SUCTION STRAINERS



## Dimensions

Size	G	H	H1	H2	L	L1
4	14-13/16	13-13/16	15-9/16	16-7/16	31-1/2	12-7/8
4 x 2	14-13/16	13-13/16	15-9/16	16-7/16	31-1/2	13-1/2
4 x 2-1/2	14-13/16	13-13/16	15-9/16	16-7/16	31-1/2	12-1/2
4 x 3	14-13/16	13-13/16	15-9/16	16-7/16	31-1/2	12-9/16
6	14-13/16	16-7/8	16-7/8	19-15/16	35-7/8	15-7/8
6 x 4	14-13/16	17-15/16	15-13/16	19-15/16	35-7/8	15-7/8
8	17-15/16	22-1/4	21-13/16	27-7/8	46-1/4	18
8 x 4	17-15/16	24-5/16	19-3/4	27-7/8	46-1/4	18
8 x 6	17-15/16	23-1/4	20-13/16	27-7/8	46-1/4	18-1/8
10	17-15/16	27-13/16	19-11/16	31-11/16	49-11/16	23-15/16
10 x 6	17-15/16	27-13/16	19-11/16	31-11/16	49-11/16	23
10 x 8	17-15/16	27-13/16	19-11/16	31-11/16	49-11/16	22-7/8
12	20-3/16	27-3/16	21-5/8	31-3/16	50-13/16	30
12 x 8	20-3/16	29-1/8	19-9/16	31-3/16	50-13/16	29
12 x 10	20-3/16	28-1/16	20-5/8	31-3/16	50-13/16	29-3/4

## Temperature Pressure Rating

System Operating Temperature °F (°C)			100 (38)	110 (43)	120 (49)	130 (54)	140 (60)	150 (66)	160 (71)	170 (77)	180 (82)	190 (88)	200 (93)	210 (99)
Valve Pressure Rating psi (MPa)	4" - 12"	PVC	50 (.34)	45 (.31)	40 (.30)	35 (.24)	30 (.21)	-0-	-0-	-0-	-0-	-0-	-0-	-0-



## T-STYLE CARTRIDGE FILTERS



### Sample Engineering Specification

All sediment filters shall be T-Style cartridge type constructed from PVC Type I, ASTM D 1784 Cell Classification 12454 or CPVC Type IV, or ASTM D 1784 Cell Classification 23447. All O-rings shall be EPDM or FKM. All filters shall have removable Type 304 stainless steel cartridge with [specify from chart] mesh perforation or reinforced screen. All filters shall be pressure rated to 200 psi for water at 73°F, as manufactured by Spears® Manufacturing Company.

### Quick View T-Style Cartridge Filters Selection Chart

PVC Part Numbers <sup>1</sup>				
Cartridge Filter Mesh <sup>2</sup>	TF Series (Full Size)			
	Standard		Reverse Flow <sup>2</sup>	
	EPDM	FKM	EPDM	FKM
16	TF2-16	TF3-16	TF2-16	TF3-16
32	TF2-32	TF3-32	TF2-32	TF3-32
50	TF2-50	TF3-50	TFR2-50	TFR3-50
76	TF2-76	TF3-76	TFR2-76	TFR3-76
100	TF2-100	TF3-100	TFR2-100	TFR3-100
150	TF2-150	TF3-150	TFR2-150	TFR3-150
200	TF2-200	TF3-200	TFR2-200	TFR3-200
MTF Series (Half-Size)				
16	MTF2-16	MTF3-16	MTF2-16	MTF3-16
32	MTF2-32	MTF3-32	MTF2-32	MTF3-32
50	MTF2-50	MTF3-50	MTFR2-50	MTFR3-50
76	MTF2-76	MTF3-76	MTFR2-76	MTFR3-76
100	MTF2-100	MTF3-100	MTFR2-100	MTFR3-100
150	MTF2-150	MTF3-150	MTFR2-150	MTFR3-150
200	MTF2-200	MTF3-200	MTFR2-200	MTFR3-200

1: For CPVC, Add the letter "C" to the part number (e.g., TF2-16C)

2: Mesh sizes 16 and 32 are perforation cartridges. Same cartridge is used for Standard or Reverse Flow filtration. Mesh sizes 50 - 200 are wire cloth screen with perforated stainless steel reinforcement.

### Features – PVC, CPVC

In-line T-Style Cartridge Filters provide high capacity filtration of suspended solids, dirt and debris with reusable Type 304 stainless steel filter cartridges in a variety of mesh sizes. Constructed from PVC or CPVC, this special T-style configuration may be easily ganged in parallel for increased flow and filtration capacity. Standard flow (internal-to-external) filter traps sediment inside cartridge while optional reverse flow (external-to-internal) filter traps sediment on outside of cartridge, according to user preference. Available in full-size TF Series or half-size MTF Series units with IPS size 2-1/2" socket - 3" spigot combination inlet/outlet connection that can be easily adapted to other sizes with use of reducer bushings or couplings.

- Provides In-line Protection of Process Equipment
- PVC or CPVC Construction
- EPDM or FKM O-ring Seals
- Heavy, Reinforced Type 304 Stainless Steel Filter Cartridges in Mesh Sizes 16, 32, 50, 76, 100, 150, or 200
- Standard (Internal-to-External) or Reverse Flow (External-to-Internal) Cartridge Design Option
- Bottom Cartridge Removal with Drain Plug for Cleaning, or Bleed-Off Valve Connection
- Installed Units in Parallel for Increased Filtration Capacity
- Pressure Rated to 200 psi @ 73°F
- Assemble with Silicone-Free, Water Soluble Lubricants

### Cartridge Filtration Area

TF Series filter surface area = 214.9 in.<sup>2</sup> and MTF Series filter surface area = 107.5 in.<sup>2</sup>. Mesh sizes 16 and 32 are perforated stainless steel, 50 to 200 mesh filters are stainless steel wire cloth with perforated stainless backing and internal wire coil to prevent filter collapse or screen blow-out.

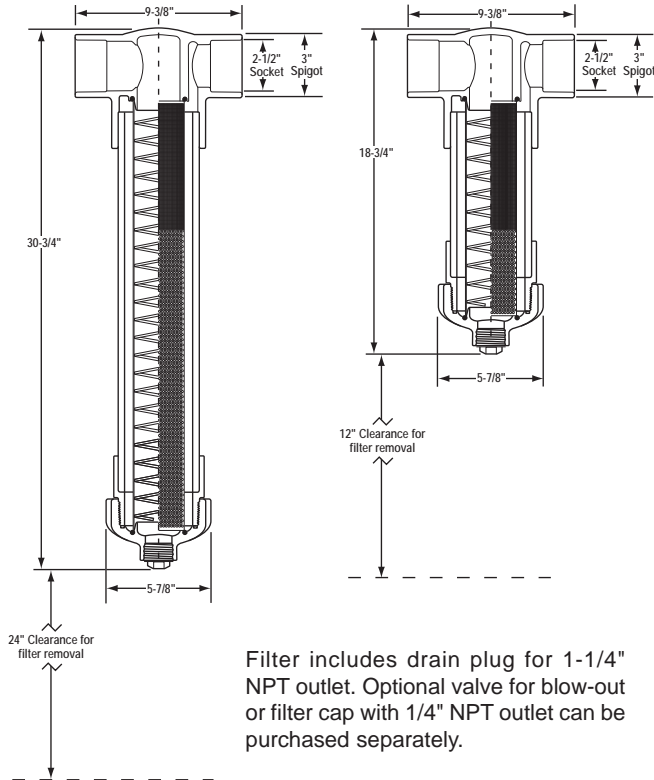
### Replacement Filter Cartridges

Mesh Size	Full Size TF Filter Part No.		Half Size MTF Filter Part No.	
	Standard Flow	Reverse Flow	Standard Flow	Reverse Flow
16	FL-16-1	same as Std.	MFL-16-1	same as Std.
32	FL-32-1	same as Std.	MFL-32-1	same as Std.
50	FL-50-1	FLR-50-1	MFL-50-1	MFLR-50-1
76	FL-76-1	FLR-76-1	MFL-76-1	MFLR-76-1
100	FL-100-1	FLR-100-1	MFL-100-1	MFLR-100-1
150	FL-150-1	FLR-150-1	MFL-150-1	MFLR-150-1
200	FL-200-1	FLR-200-1	MFL-200-1	MFLR-200-1

# T-STYLE CARTRIDGE FILTERS



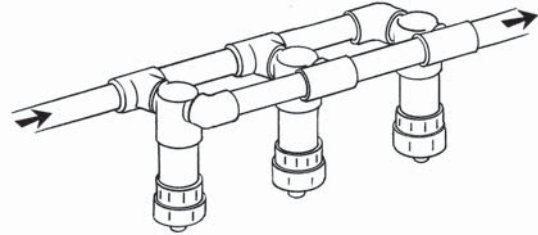
## Dimensions



Filter includes drain plug for 1-1/4" NPT outlet. Optional valve for blow-out or filter cap with 1/4" NPT outlet can be purchased separately.

## Parallel Filter Installation

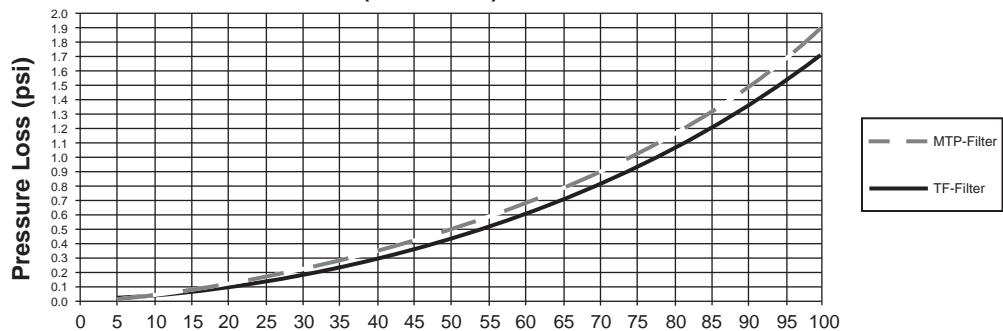
For increased flow or filtration capacity, multiple filters may be installed in parallel as illustrated.



## General Installation Information

Avoid installation in direct sun exposure. If required, a white, reflective latex paint coating may be applied to reduce heat absorption. Remove cartridge before solvent cement assembly into system to avoid possible cement contact with screen. Install with proper flow direction as indicated on top of the filter. Be sure to allow clearance in excess of specified space required for removal of cartridge (see drawing notes). Filter drainage or blow-down should be made in normal system flow direction to prevent screen damage. Do not "back flush" unit. Care should be taken in cleaning cartridges to avoid damaging filter screen.

T-Style Cartridge Filter Pressure Loss (Clean Filter)



## Pressure Loss

## Temperature Pressure Rating

System Operating Temperature °F (°C)		100 (38)	110 (43)	120 (49)	130 (54)	140 (60)	150 (66)	160 (71)	170 (77)	180 (82)	190 (88)	200 (93)	210 (99)
Filter Pressure Rating psi (MPa)	PVC	200 (1.38)	135 (.93)	120 (.83)	75 (.52)	50 (.34)	-0- (-0-)	-0- (-0-)	-0- (-0-)	-0- (-0-)	-0- (-0-)	-0- (-0-)	-0- (-0-)
	CPVC	200 (1.38)	155 (1.07)	140 (.97)	125 (.86)	110 (.76)	100 (.69)	90 (.62)	80 (.55)	70 (.48)	60 (.41)	50 (.34)	-0- (-0-)



## GENERAL INSTALLATION

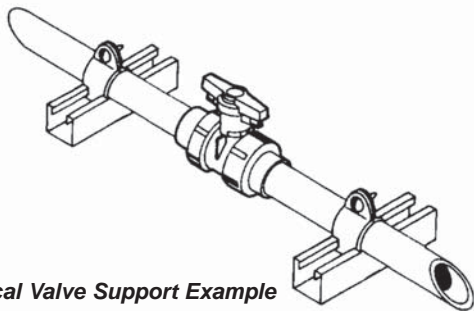
Ease of installation and maintenance is one of the major advantages of using thermoplastic valves. As with any product, certain procedures must be followed for successful installation, service and long life. This section specifies individual installation and maintenance service instructions for Spears® valves. All applicable instructions and procedures should be read thoroughly before starting. Suitability of the intended service application should be determined prior to installation. Please review **“Material Considerations in Application and System Design”**, in the **“MATERIALS”** section of this manual for important additional considerations related valve installations.

Plastic piping systems should be engineered, installed, operated and maintained in accordance with accepted standards and procedures for plastic piping systems. It is absolutely necessary that all design, installation, operation and maintenance personnel be trained in proper handling, installation requirements and precautions for installation and use of plastic piping systems before starting.

Individual valve installation instructions specific to each product type are packaged with product. The following sections of this manual contain safety precautions and procedures for making solvent cement, threaded or flanged joints.

### Precautions & Warnings for All Valve, Strainer & Accessories Installations

**CAUTION:** *The system shall be designed and installed so as not to pull the valve in any direction. Valve and strainers must be supported with conventional piping system support devices.*



Typical Valve Support Example

**CAUTION:** *All valve connectors and connecting pipe should be inspected for any breaking, chipping, gouging or other visible damage before proceeding. All joining components must be clean and dry. All valves and pipe shall be removed from their packaging or containers and exposed to the environment for a minimum of one hour in order to thermally balance all components. Installation temperatures should be between 40°F and 110°F.*

**CAUTION:** *All valves with fixed socket end connectors in the body must be installed in the open position to aid in evaporation of solvent vapors which can attack internal components. **WARNING: TAKE EXTRA CARE THAT NO PRIMER OR SOLVENT CEMENT IS ALLOWED TO COME IN CONTACT WITH THE BALL OR OTHER INTERNAL VALVE COMPONENTS.***

**CAUTION:** *Threaded pipe connections require application of a quality grade thread sealant to seal joint assembly. Sealant should be applied to male pipe threads. **WARNING: SOME PIPE JOINT COMPOUNDS OR PTFE PASTES MAY CONTAIN SUBSTANCES THAT COULD CAUSE STRESS CRACKING IN THERMOPLASTIC MATERIALS.***

*Spears® Manufacturing Company recommends the use of Spears® **BLUE 75™** thread sealant which has been tested for compatibility with Spears® products. Please follow the sealant manufacturers' application / installation instructions. Choice of an appropriate thread sealant other than those listed above is at the discretion of the installer.*

**CAUTION:** ***BEFORE THE VALVE IS CYCLED**, all dirt, sand, grit or other material shall be flushed from the system. This is to prevent scarring of internal components; e.g., ball, cup, wedge, seats, etc.*

**WARNING:** ***Some Lubricants, including vegetable oils, are known to cause stress cracking in thermoplastic materials.** All lubricants should be checked for compatibility with PVC, CPVC or other thermoplastic products. Formulation changes by lubricant manufacturers may alter compatibility of previously acceptable materials and are beyond our control. Choice of lubricant is at the discretion of the installer.*

**WARNING:** *DO NOT USE COMPRESSED AIR OR GAS TO TEST ANY PVC OR CPVC THERMOPLASTIC PIPING PRODUCT OR SYSTEM, AND DO NOT USE DEVICES PROPELLED BY COMPRESSED AIR OR GAS TO CLEAR SYSTEMS. THESE PRACTICES MAY RESULT IN EXPLOSIVE FRAGMENTATION OF SYSTEM PIPING AND COMPONENTS CAUSING SERIOUS OR FATAL BODILY INJURY. All air must be bled from the system during initial fluid fill. Pressure testing of the system should not be made until all solvent cement joints have properly cured. Initial pressure testing should be made at approximately 10% of the system hydrostatic pressure rating to identify potential problems, prior to testing at higher pressures.*

**WARNING:** *Systems should not be operated or flushed out at flow velocities greater than 5 feet per second.*



Spears® Manufacturing Company recommends following solvent cement manufacturer's recommendations and reading ASTM D 2855, "Standard Practice for Making Solvent-Cemented Joints with Poly Vinyl Chloride (PVC) Pipe and Fittings". This method of joining valves and piping system components is very simple and reliable if procedures are followed correctly. Since variables of temperature, humidity, pipe size, time, and other conditions have a significant effect on solvent cement joints, it is important to understand the principles of each step and make adjustments for actual conditions. Shortcuts or excessive deviations may result in joint failures and / or frozen valve movements.

## Safety Precautions

**WARNING:** Solvent cements and primers for pipe, fittings and valves are flammable. Extinguish all smoking materials, flames, or other ignition sources in working or storage areas. Be sure to work only in a well-ventilated space. Avoid eye and unnecessary skin contact with all cements, primers or solvents. Ingestion or intentional inhalation of solvent vapors can be harmful or fatal. Additional safety precautions may apply, consult solvent cement manufacturer.

## Selection of Solvent Cement

A wide variety of solvent cements and primers are commercially available. Selection of specific type, grade and consistency of solvent cement should take into account pipe type, size, installation conditions and chemical compatibility of cement and system fluids. Contact solvent cement manufacturer for additional information.

## Required Materials

- Saw & miter box or wheel-type cutter
- Pipe deburring & beveling tool or mill file
- Solvent Cement — PVC cement for PVC materials, CPVC cement for CPVC materials; heavy bodied, as manufactured by Spears® Manufacturing Company
- Primer — as manufactured by Spears® Manufacturing Company
- Brush or dauber type cement and primer applicators — select a size no less than 1/2 the pipe diameter (see chart below).
- Use containers — sealable metal or glass to hold cements and primers
- Cotton cleaning rags
- Cleanup solvents — such as tetrahydrofuran (THF) or methylethylketone (MEK)

## Recommended Applicator Size for Solvent Cement and Primer

Applicator Type & Size (in.)	Nominal Pipe Size (in.)									
	1/2	3/4	1	1-1/4	1-1/2	2	2-1/2	3	4	5
Brush*	1/2		1			1-1/2		2	3	5
Dauber	3/4		1-1/2			Not Recommended				
Roller	Not Recommended							3		

## General Procedure Outline

### General Preparation

For best results, installation should be made at temperatures between 40°F and 110°F.

All joint components should be inspected for any breaking, chipping, gouging or other visible damage before proceeding. All pipe and fittings should be removed from their packaging or containers and exposed to the installation environment for a minimum of one hour in order to thermally balance all components.

On True Union Ball, Check and Diaphragm valves, remove union nuts and end connectors before priming and cementing connections. With the threads facing the valve, slide the union nut over the pipe to which the end connector socket is to be cemented. Reinstall the valve body and union nuts only after the joint has fully cured.

On valves with fixed socket connections in the body, be sure the valve is in the open position to aid in evaporation of solvent vapors which can attack internal components. **TAKE EXTRA CARE THAT NO PRIMER OR SOLVENT CEMENT IS ALLOWED TO COME IN CONTACT WITH THE BALL OR OTHER INTERNAL VALVE COMPONENTS.**

### Step 1: Cut Pipe Square

Pipe ends must be cut square, using a wheel-type cutter or saw & miter box. A fine-toothed hand saw (16-18 teeth / inch) with little or no set is recommended. A power cutoff saw with carbide blade is recommended for high volume cutting.

### Step 2: Deburr & Bevel Pipe

Regardless of cutting method used in step 1, burrs are created which must be removed from both the pipe I.D. and O.D. before joining. All pipe ends should be beveled 10° to 15°. Commercially available deburring & beveling tool is recommended, or a mill file may be used.

### Step 3: Clean Joint Components

Wipe away all loose dirt and moisture from the pipe O.D. and fitting I.D. with a clean, dry cotton rag. **DO NOT ATTEMPT TO JOIN WET SURFACES.**

### Step 4: Check Joint Interference Fit

An interference between pipe and fitting socket is necessary for proper fusion of the joint. To check, lightly insert pipe into fitting socket. **DO NOT FORCE.** Interference between pipe and fitting should occur between 1/3 to 2/3 of the socket depth (full interference fit) and the socket bottom (net fit). Do not use components which improperly mate.



# SOLVENT CEMENT WELDED JOINTS

## Step 5: Apply Primer

Primer is necessary to penetrate and soften both pipe and fitting socket surfaces in order for the solvent cement to properly bond. **THE MOST FREQUENT CAUSE OF JOINT FAILURES IS INADEQUATE SOLVENT PENETRATION AND SOFTENING OF BONDING SURFACES DURING THE WELDING OPERATION.**

1. Using a brush or applicator size no less than 1/2 the pipe diameter, apply a liberal coat of primer with a scrubbing motion to the fitting socket until the surface is softened and semi-fluid. This may take 5 to 15 seconds depending on size and temperature (larger diameters and lower temperatures will increase required time).
2. Apply primer to pipe in the same manner, extending application area to slightly more than the insertion depth into the fitting socket.
3. Apply a second coat to both the fitting socket and the pipe.
4. Check penetration and softening by scraping the primed surfaces. A few thousandths of the semi-fluid surface should be easily removed. Repeat primer application if necessary.

## Step 6: Apply Solvent Cement

Solvent cement must be applied **IMMEDIATELY** to primed surfaces before the primer dries in an alternating 3-coat application. Using a brush or applicator size no less than 1/2 the pipe diameter, apply a liberal coat of solvent cement to the primed pipe surface, then apply a light to medium coat to the primed fitting socket. If a “net fit” was experienced during dry fit check (Step 4), apply an additional coat again to the pipe surface. **BE SURE TO USE A VERY LIBERAL AMOUNT OF SOLVENT CEMENT ON PIPE.**

**VALVE INSTALLATION CAUTION:** TAKE EXTRA CARE THAT NO PRIMER OR SOLVENT CEMENT IS ALLOWED TO CONTACT THE BALL OR OTHER INTERNAL VALVE COMPONENTS.

## Step 7: Join Components

**IMMEDIATELY** following application of cement and before it starts to set, insert the pipe into the fitting socket with a one-quarter turn, twisting motion to evenly distribute cement within the joint. A full bead of cement should form around the circumference of the joint. Hold joint together for approximately 30 seconds to make sure the pipe does not move or back out of the socket.

**CAUTION:** ABSENCE OF BEAD FORMATION, VOIDS, OR GAPS IN THE BEAD ARE A SIGN OF INSUFFICIENT CEMENT APPLICATION. IF SUCH IS OBSERVED, IMMEDIATELY PULL THE JOINT APART AND REAPPLY AN ADEQUATE AMOUNT OF CEMENT.

## Step 8: Remove Excess Cement

Using a cloth, wipe clean all excess cement from the exterior juncture of the pipe and fitting.

## Step 9: Initial Set Time

The joint must not be handled or moved for a minimum of 2 minutes, after which the joint must be handled carefully until the cement has gone through a set period. Recommended minimum set time:

- 30 minutes minimum at 60° to 100°F (15° to 40°C)
- 1 hour minimum at 40° to 60°F (5° to 15°C)
- 2 hours minimum at 20° to 40°F (-5° to 5°C)
- 4 hours minimum at 0° to 20°F (-20° to -5°C)

## Step 10: Joint Cure Time

The joint must adequately cure prior to use (see “Joint Cure Schedule” table below). Required cure time depends on temperature, pipe diameter, and pressure application. The following table is based on the guidelines of ASTM D 2855, “Standard Practice for Making Solvent-Cemented Joints with Poly Vinyl Chloride (PVC) Pipe and Fittings”. It is the user’s responsibility and risk in determining that the joint has properly cured for handling, testing, and use.

## Joint Cure Schedule

Temperature	60° - 100°F		40° - 60°F		20° - 40°F		10° - 20°F	
	Test Pressure (psi)		Test Pressure (psi)		Test Pressure (psi)		Test Pressure (psi)	
Nominal Pipe Size (in.)	0-180	181-315	0-180	181-315	0-180	181-315	0-180	181-315
1/2 to 1-1/4	1 hour	6 hours	2 hours	12 hours	6 hours	36 hours	8 hours	48 hours
1-1/2 to 3	2 hours	12 hours	4 hours	24 hours	12 hours	72 hours	16 hours	96 hours
3-1/2 to 5	6 hours	18 hours	12 hours	36 hours	36 hours	4 days	72 hours	8 days
6 to 8	8 hours	24 hours	16 hours	48 hours	3 days	9 days	4 days	12 days

**NOTE:** Extreme caution should be used when solvent cementing joints at temperatures below 10°F, and many variables exist at temperatures below 20°F. Relative humidity greater than 50% will increase required cure times specified. Consult solvent cement manufacturer for additional information.





Threaded joints are used where piping system dismantling for occasional cleaning or modification is anticipated. Since threading reduces the effective wall thickness of pipe, pressure ratings of the pipe are reduced to one-half that of unthreaded pipe using solvent cement welded joints. Valves, however, have individual pressure ratings substantially different from that of pipe. As a result, no reduction in the valve's specified pressure rating is necessary for threaded connections. Threaded systems should be made with Schedule 80 pipe only, threaded with an ANSI general purpose tapered pipe thread (NPT). Schedule 40 pipe should not be threaded.

## General Procedure Outline

### Step 1: Apply Joint Sealant

Threaded connections require application of a quality grade thread sealant to seal joint assembly.

**WARNING: SOME PIPE JOINT COMPOUNDS OR PTFE PASTES MAY CONTAIN SUBSTANCES THAT COULD CAUSE STRESS CRACKING IN THERMOPLASTIC MATERIALS.** *Spears® Manufacturing Company recommends the use of Spears® BLUE 75™* thread sealant which has been tested for compatibility with Spears® products. Please follow the sealant manufacturers' application / installation instructions. Choice of an appropriate thread sealant other than those listed above is at the discretion of the installer.

### Step 2: Assemble Joint by Hand

Threaded pipe and valves or fittings should be initially assembled "finger tight" (just enough to fully engage thread clearance).

### Step 3: Strap Wrench Make-Up

Threaded plastic pipe and fitting components should always be installed using commercially available strap wrenches. Do not use conventional pipe wrenches which can damage plastic piping materials.

**WARNING: THE SINGLE MOST COMMON CAUSE OF THREADED JOINT FAILURE IS OVER TIGHTENING.** *Tapered pipe threads produce radial stress in female fittings. Over tightening can exceed the stress limits of thermoplastic materials, resulting in split fittings.*

Apply strap wrench make-up of **no more than one to two turns** beyond finger tight thread engagement. Care should be taken in final positioning so as to avoid the need to "back-up" the wrenched assembly.



# FLANGED CONNECTIONS

Flanges are used extensively for connections where removable system components are desired. Such includes periodic system servicing, anticipated system modification or add-on, and temporary component hookups. Flanges are also the standard connection for industrial butterfly type valves.

## Pressure Ratings

Plastic pipe flanges are designed for system maximum internal pressures of 150 psi, water at 73°F, which must be taken into consideration when using flanges with higher pressure rated components, such as pipe or valves. As with all thermoplastic piping materials, pressure rating is a function of temperature. Refer to **“Temperature Pressure Rating for 150 psi Flanges”** chart below and that specified for individual products. Certain variations may exist according to product type and size.

## Bolt Holes & Pattern

Bolt patterns and number of bolt holes are the same as Class 150 metal flanges per ANSI B16.5.

## Gaskets

Full faced, 1/8” thick elastomer gaskets with a Shore “A” Durometer of approximately 70 is recommended.

## Bolt Torque

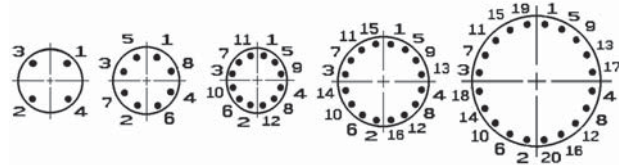
Recommended Bolt torque requirements are shown below. Threads should be clean and well lubricated. Actual field conditions may require variations in these recommendations.

**CAUTION: UNNECESSARY OVER TORQUING WILL DAMAGE THE FLANGE.**

Flange Size (in.)	Recommended Torque (ft. lbs.)
1/2 - 1-1/2	12
2 - 4	25
5	30
6 - 8	40
10	64
12	95
14 - 24	110

## Torque Sequence

Bolts should be tightened in a 180° opposing pattern. Recommended bolt torque sequence is shown in the following table.



## General Procedure Outline

Once a flange is attached to the pipe or valve, the method of joining two flanges is as follows:

- Step 1:** Piping runs joined to the flanges must be installed in a straight line position to the flange to avoid stress at the flange due to misalignment. Piping must also be secured and supported to prevent lateral movement which can create stress and damage the flange.
- Step 2:** With gasket in place, align the bolt holes of the mating flanges by rotating the ring into position. (Consideration should be given to alignment of One-Piece Flange prior to joining with pipe.)
- Step 3:** Insert all bolts, washers (two standard flat washers per bolt), and nuts.
- Step 4:** Make sure the faces of the mating surfaces are flush against gasket prior to bolting down the flanges.
- Step 5:** Tighten the nuts by hand until they are snug. Establish uniform pressure over the flange face by tightening the bolts in 5 ft.-lbs. increments according to the sequence shown in the above table following a 180° opposing sequence.
- Step 6:** Care must be taken to avoid “bending” the flange when joining a Spears® flange to a “raised face” flange, or a wafer-style valve. Do not use bolts to bring together improperly mated flanges.

## Temperature Pressure Rating

System Operating Temperature °F (°C)		100 (38)	110 (43)	120 (49)	130 (54)	140 (60)	150 (66)	160 (71)	170 (77)	180 (82)	190 (88)	200 (93)	210 (99)
Flange Pressure Rating psi (MPa)	PVC	150 (1.03)	135 (.93)	110 (.76)	75 (.52)	50 (.34)	-0- (-0-)	-0- (-0-)	-0- (-0-)	-0- (-0-)	-0- (-0-)	-0- (-0-)	-0- (-0-)
	CPVC	150 (1.03)	140 (.97)	130 (.90)	120 (.83)	110 (.76)	100 (.70)	90 (.62)	80 (.55)	70 (.48)	60 (.41)	50 (.34)	-0- (-0-)
	PP	150 (1.03)	105 (.72)	90 (.62)	80 (.55)	65 (.45)	50 (.34)	45 (.31)	30 (.21)	20 (.14)	-0- (-0-)	-0- (-0-)	-0- (-0-)

# VALVE SERVICE & REPLACEMENT KITS



For easy servicing and extended valve life, Spears® provides numerous maintenance repair kits and replaceable components for all repairable valves. Repair Kits generally include applicable seats, O-ring seals, diaphragms and other components typically subjected to normal operational wear.

Full Cartridge Replacement Kits are available for all True Union style ball valves and ball check valves. These include complete valve assembly, less union nuts and end connectors. Replacement Cartridges can be directly installed in place of existing valve unit using existing union nuts and end connectors.

Individual valve replacement parts may be ordered from the factory. Complete maintenance service instructions for each valve are available. Please contact Spears® Technical Services Department.

## True Union 2000 Industrial Ball Valve Seat & O-ring Repair Kit

All kits include PTFE Seats (2), End Connector O-rings (2), Seal Carrier O-ring (1), Stem Bushing (1) and Stem O-rings (2). Sizes 2-1/2" & larger includes Seat O-rings (2).

Size	Part Number	
	w/EPDM O-rings	w/FKM O-rings
1/2	TU2-ERK-005	TU2-VRK-005
3/4	TU2-ERK-007	TU2-VRK-007
1	TU2-ERK-010	TU2-VRK-010
1-1/4	TU2-ERK-012	TU2-VRK-012
1-1/2	TU2-ERK-015	TU2-VRK-015
2	TU2-ERK-020	TU2-VRK-020
2-1/2 & 3	TU2-ERK-030	TU2-VRK-030
4	TU2-ERK-040	TU2-VRK-040
6	TU2-ERK-060	TU2-VRK-060

## True Union 2000 Industrial Ball Valve Cartridge Replacement Kit

Includes valve assembly, less union nuts and end connectors.

Size	PVC Part Number <sup>1</sup>	
	w/EPDM O-rings	w/FKM O-rings
1/2	1820-005	1830-005
3/4	1820-007	1830-007
1	1820-010	1830-010
1-1/4	1820-012	1830-012
1-1/2	1820-015	1830-015
2	1820-020	1830-020
2-1/2 & 3	1820-030	1830-030
4	1820-040	1830-040
6	1820-060	1830-060

1: For CPVC Cartridge Kit, add the letter "C" to the part numbers listed (e.g. 1820-005C).

## True Union 2000 Standard Ball Valve Seat & O-ring Repair Kit

All kits include PTFE/HDPE Seats (2), End Connector O-rings (2), Seal Carrier O-ring (1), and Stem O-rings (2).

Size	Part Number	
	w/EPDM O-rings	w/FKM O-rings
1/2	TU1-ERK-005	TU1-VRK-005
3/4	TU1-ERK-007	TU1-VRK-007
1	TU1-ERK-010	TU1-VRK-010
1-1/4	TU1-ERK-012	TU1-VRK-012
1-1/2	TU1-ERK-015	TU1-VRK-015
2	TU1-ERK-020	TU1-VRK-020
2-1/2 & 3	TU1-ERK-030	TU1-VRK-030
4	TU1-ERK-040	TU1-VRK-040

## True Union 2000 Standard Ball Valve Cartridge Replacement Kit

Includes valve assembly, less union nuts and end connectors.

Size	PVC Part Number <sup>1</sup>	
	w/EPDM O-rings	w/FKM O-rings
1/2	3620-005	3630-005
3/4	3620-007	3630-007
1	3620-010	3630-010
1-1/4	3620-012	3630-012
1-1/2	3620-015	3630-015
2	3620-020	3630-020
2-1/2 & 3	3620-030	3630-030
4	3620-040	3630-040

1: For CPVC Cartridge Kit, add the letter "C" to the part numbers listed (e.g. 3620-005C).



# VALVE SERVICE & REPLACEMENT KITS

## True Union 2000 Industrial 3-Way Ball Valve

### Seat & O-ring Repair Kit (Horizontal or Vertical)

All kits include PTFE Seats (2-no branch seal), End Connector O-rings (3), Seal Carrier O-ring (1), Stem Bushing (1) and Stem O-rings (2). Sizes 2-1/2" & larger includes Seat O-rings (2).

Size	Part Number	
	w/EPDM O-rings	w/FKM O-rings
1/2	TU3-ERK-005	TU3-VRK-005
3/4	TU3-ERK-007	TU3-VRK-007
1	TU3-ERK-010	TU3-VRK-010
1-1/4	TU3-ERK-012	TU3-VRK-012
1-1/2	TU3-ERK-015	TU3-VRK-015
2	TU3-ERK-020	TU3-VRK-020
2-1/2 & 3	TU3-ERK-030	TU3-VRK-030
4	TU3-ERK-040	TU3-VRK-040

## True Union 2000 Industrial Ball Check Valve

### Seat & O-ring Repair Kit

All kits include End Connector O-rings (2), Seal Carrier O-ring (1), Stem Bushing (1) and Stem O-rings (2). Sizes 2-1/2" & larger includes Seat O-rings (2).

Size	Part Number	
	w/EPDM O-rings	w/FKM O-rings
1/2	CK2-ERK-005	CK2-VRK-005
3/4	CK2-ERK-007	CK2-VRK-007
1	CK2-ERK-010	CK2-VRK-010
1-1/4	CK2-ERK-012	CK2-VRK-012
1-1/2	CK2-ERK-015	CK2-VRK-015
2	CK2-ERK-020	CK2-VRK-020
2-1/2 & 3	CK2-ERK-030	CK2-VRK-030
4	CK2-ERK-040	CK2-VRK-040
6	CK2-ERK-060	CK2-VRK-060

## Regular True Union Ball Valve

### Seat & O-ring Repair Kit

All kits include End Connector O-rings (2), Seal Carrier O-ring (1), Stem Bushing (1) and Seat O-ring (1).

Size	Part Number	
	w/EPDM O-rings	w/FKM O-rings
1/2	TU-ERK-005	TU-VRK-005
3/4	TU-ERK-007	TU-VRK-007
1	TU-ERK-010	TU-VRK-010
1-1/4	TU-ERK-012	TU-VRK-012
1-1/2	TU-ERK-015	TU-VRK-015
2	TU-ERK-020	TU-VRK-020
2-1/2 & 3	TU-ERK-030	TU-VRK-030
4 & 6	TU-ERK-040	TU-VRK-040

## True Union 2000 Industrial 3-Way Ball Valve

### Cartridge Replacement Kit

Includes valve assembly, less union nuts and end connectors.

Size	Vertical PVC Part Number <sup>1,2,5</sup>		Horizontal PVC Part Number <sup>1,2,3,4</sup>	
	w/EPDM O-rings	w/FKM O-rings	w/EPDM O-rings	w/FKM O-rings
1/2	4720L1-005	4730L1-005	5020L1-005	5030L1-005
3/4	4720L1-007	4730L1-007	5020L1-007	5030L1-007
1	4720L1-010	4730L1-010	5020L1-010	5030L1-010
1-1/4	4720L1-012	4730L1-012	5020L1-012	5030L1-012
1-1/2	4720L1-015	4730L1-015	5020L1-015	5030L1-015
2	4720L1-020	4730L1-020	5020L1-020	5030L1-020
2-1/2 & 3	4720L1-030	4730L1-030	5020L1-030	5030L1-030
4	4720L1-040	4730L1-040	5020L1-040	5030L1-040

1: For CPVC Cartridge Kit, add the letter "C" to the part numbers listed (e.g. 4720L1-005C).

2: For Double L-Port, change "L1" portion of part number to L2 (e.g. 4720L2-005).

3: For Tripple L-Port, change "L1" portion of part number to L3 (e.g. 4720L3-005).

4: For T-Port, change "L1" portion of part number to "T" (e.g. 4720T-005).

## True Union 2000 Industrial Ball Check Valve

### Cartridge Replacement Kit

Includes valve assembly, less union nuts and end connectors.

Size	PVC Part Number <sup>1</sup>	
	w/EPDM O-rings	w/FKM O-rings
1/2	4520-005	4530-005
3/4	4520-007	4530-007
1	4520-010	4530-010
1-1/4	4520-012	4530-012
1-1/2	4520-015	4530-015
2	4520-020	4530-020
2-1/2 & 3	4520-030	4530-030
4	4520-040	4530-040
6	4520-060	4530-060

1: For CPVC Cartridge Kit, add the letter "C" to the part numbers listed (e.g. 4520-005C).

## Regular True Union Ball Check Valve O-ring Repair Kit

Includes ball seal O-ring (1), end-connector O-rings (2), and seal carrier O-ring (1).

Size	Part Number	
	w/EPDM O-rings	w/FKM O-rings
1/2	CK-ERK-005	CK-VRK-005
3/4	CK-ERK-007	CK-VRK-007
1	CK-ERK-010	CK-VRK-010
1-1/4	CK-ERK-012	CK-VRK-012
1-1/2	CK-ERK-015	CK-VRK-015
2	CK-ERK-020	CK-VRK-020
2-1/2 & 3	CK-ERK-030	CK-VRK-030
4	CK-ERK-040	CK-VRK-040



## Regular True Union Ball Valve Cartridge Replacement Kit

Includes valve assembly, less union nuts, and end connectors.

Size	PVC Part Number <sup>1</sup>	
	w/EPDM O-rings	w/FKM O-rings
1/2	2320-005	2330-005
3/4	2320-007	2330-007
1	2320-010	2330-010
1-1/4	2320-012	2330-012
1-1/2	2320-015	2330-015
2	2320-020	2330-020
2-1/2 & 3	2320-030	2330-030
4 & 6	2320-040	2330-040

<sup>1</sup> For CPVC Cartridge Kit, add the letter "C" to part numbers listed (e.g., 2320-005C).

## Regular True Union Ball Check Valve Cartridge Replacement Kit

Includes valve assembly, less union nuts, and end connectors.

Size	PVC Part Number <sup>1</sup>	
	w/EPDM O-rings	w/FKM O-rings
1/2	2220-005	2230-005
3/4	2220-007	2230-007
1	2220-010	2230-010
1-1/4	2220-012	2230-012
1-1/2	2220-015	2230-015
2	2220-020	2230-020
2-1/2 & 3	2220-030	2230-030
4	2220-040	2230-040

<sup>1</sup> For CPVC Cartridge Kit, add the letter "C" to part numbers listed (e.g., 2220-005C).

## Single Entry Ball Valve Seat & O-ring Replacement Kit

Includes PTFE seats (2), seat O-rings (2), and seal carrier O-ring (1).

Size	Part Number		
	w/Buna-N O-rings	w/EPDM O-rings	w/FKM O-rings
1/2	SE-BRK-005	SE-ERK-005	SE-VRK-005
3/4	SE-BRK-007	SE-ERK-007	SE-VRK-007
1	SE-BRK-010	SE-ERK-010	SE-VRK-010
1-1/4 & 1-1/2	SE-BRK-015	SE-ERK-015	SE-VRK-015
2	SE-BRK-020	SE-ERK-020	SE-VRK-020
3	SE-BRK-030	SE-ERK-030	SE-VRK-030
4	SE-BRK-040	SE-ERK-040	SE-VRK-040

## Gate Valve O-ring Repair Kit

1/2" through 2" Kit includes stem O-ring (1), body O-ring (1), wedge O-ring or gasket (1), stem bushing (1) and stem washer (1).

2" and 3" Kit includes seal carrier O-ring (1), stem O-ring (1), stem washer (1) and stem bushing (1).

4" Kit includes carrier O-ring (1), stem O-ring (1) and stem bushing.

Size	Part Number		
	w/Buna-N O-rings	w/EPDM O-rings	w/FKM O-rings
1/2	GT-BRK-005	GT-ERK-005	GT-VRK-005
3/4	GT-BRK-007	GT-ERK-007	GT-VRK-007
1	GT-BRK-010	GT-ERK-010	GT-VRK-010
1-1/4	GT-BRK-012	GT-ERK-012	GT-VRK-012
1-1/2	GT-BRK-015	GT-ERK-015	GT-VRK-015
2	GT-BRK-020	GT-ERK-020	GT-VRK-020
2-1/2 & 3	GT-BRK-030	GT-ERK-030	GT-VRK-030
4	GT-BRK-040	GT-ERK-040	GT-VRK-040

## Gate Valve Internal Replacement Cartridge

Includes complete internal assembly with bonnet and handle.

Size	Part Number <sup>1</sup>		
	w/Buna-N O-rings	w/EPDM O-rings	w/FKM O-rings
1/2	2010-005	2020-005	2030-005
3/4	2010-007	2020-007	2030-007
1	2010-010	2020-010	2030-010
1-1/4 & 1-1/2	2010-015	2020-015	2030-015
2	2010-020	2020-020	2030-020

<sup>1</sup> For CPVC Cartridge Kit, add the letter "C" to part numbers listed (e.g., 2010-005C).



# VALVE SERVICE & REPLACEMENT KITS

## Butterfly Valve Standard & True Lug Seat Repair Kit

Standard Valve and True Lug Kit through 12" includes Buna-N, EPDM or FKM seat (1) and PVC or CPVC seal carrier (1).

Sizes 14" and larger include EPDM or FKM seat only.

Size	PVC Part Number <sup>1,2</sup>		
	w/Buna-N	w/EPDM	w/FKM
1-1/2	BF-BRK-015	BF-ERK-015	BF-VRK-015
2	BF-BRK-020	BF-ERK-020	BF-VRK-020
2-1/2	BF-BRK-025	BF-ERK-025	BF-VRK-025
3	BF-BRK-030	BF-ERK-030	BF-VRK-030
4	BF-BRK-040	BF-ERK-040	BF-VRK-040
6	BF-BRK-060	BF-ERK-060	BF-VRK-060
8	BF-BRK-080	BF-ERK-080	BF-VRK-080
10	BF-BRK-100	BF-ERK-100	BF-VRK-100
12	BF-BRK-120	BF-ERK-120	BF-VRK-120
14	—	BF-ERK-140	BF-VRK-140
16	—	BF-ERK-160	BF-VRK-160
18	—	BF-ERK-180	BF-VRK-180
20	—	BF-ERK-200	BF-VRK-200
24	—	BF-ERK-240	BF-VRK-240

1: For CPVC Seat Replacement Kit, add a "C" to the end of the part number shown (e.g., BF-BRK-015C).

2: For PP, add a "P" to the end of the part number (e.g., BF-BRK-015P).

## Butterfly Valve Standard Valve Overhaul Kit

For standard sizes through 12" includes stem nut (1), stem bushing (1), bushing O-ring (2), stem O-ring (2), stem washer - hex (1), stem washer - round (1), timing stop (1), seat (1), seal carrier (1), disc O-ring (2) and stem bearing (1).

Sizes 14" and larger includes stem nut (1) 14" only, stem bearing (1), bearing O-ring (1), stem bushing (1), bushing O-ring (3), seal carrier (1), seat (1) and stem O-ring (2) 16" and larger only.

Size	PVC Part Number <sup>1,2</sup>		
	w/Buna-N	w/EPDM	w/FKM
1-1/2	BF-BOK-015	BF-EOK-015	BF-VOK-015
2	BF-BOK-020	BF-EOK-020	BF-VOK-020
2-1/2	BF-BOK-025	BF-EOK-025	BF-VOK-025
3	BF-BOK-030	BF-EOK-030	BF-VOK-030
4	BF-BOK-040	BF-EOK-040	BF-VOK-040
6	BF-BOK-060	BF-EOK-060	BF-VOK-060
8	BF-BOK-080	BF-EOK-080	BF-VOK-080
10	BF-BOK-100	BF-EOK-100	BF-VOK-100
12	BF-BOK-120	BF-EOK-120	BF-VOK-120
14	—	BF-EOK-140	BF-VOK-140
16	—	BF-EOK-160	BF-VOK-160
18	—	BF-EOK-180	BF-VOK-180
20	—	BF-EOK-200	BF-VOK-200
24	—	BF-EOK-240	BF-VOK-240

1: CPVC Standard Valve Overhaul Kit available through 12" only. Add a "C" to the end of the part number shown (e.g., BF-BOK-015C).

2: For PP, add a "P" to the end of the part number (e.g., BF-BOK-015P).

## Important Repair & Overhaul Kit Note

Ongoing Butterfly Valve design improvements have resulted in variations to repair kits. Standard cataloged kits are for current 72 part number series, dry-stem type valve revision. Kits for previous revisions are available and can be determined by valve serial number. When ordering kits, please specify valve size, material (PVC, CPVC, PP), Standard or True Lug type valve, Buna-N, EPDM or FKM elastomer material, and valve serial number stamped on the bottom of the valve body to insure proper kit selection. Stainless Steel Stems are normally not replaced, but can be ordered separately on request.

## Butterfly Valve True Lug Valve Overhaul Kit

Includes stem nut (1), stem bushing (1), bushing O-ring (1), stem O-ring (1), stem washer - hex (1), stem washer - round (1), timing stop (1), seat (1), seal carrier (1), seal carrier, flange O-ring (1), disc O-ring (2) and stem bearing (1).

Size	PVC Part Number <sup>1</sup>		
	w/Buna-N	w/EPDM	w/FKM
1-1/2	BFT-BOK-015	BFT-EOK-015	BFT-VOK-015
2	BFT-BOK-020	BFT-EOK-020	BFT-VOK-020
2-1/2	BFT-BOK-025	BFT-EOK-025	BFT-VOK-025
3	BFT-BOK-030	BFT-EOK-030	BFT-VOK-030
4	BFT-BOK-040	BFT-EOK-040	BFT-VOK-040
6	BFT-BOK-060	BFT-EOK-060	BFT-VOK-060
8	BFT-BOK-080	BFT-EOK-080	BFT-VOK-080
10	BFT-BOK-100	BFT-EOK-100	BFT-VOK-100
12	BFT-BOK-120	BFT-EOK-120	BFT-VOK-120

1: For CPVC True Lug Valve Overhaul Kit, add a "C" to the end of the part number shown (e.g., BFT-BOK-015C).



## Butterfly Valve Standard Valve Overhaul Kit with Disc

For standard sizes through 12" includes stem nut (1), stem bushing (1), bushing O-ring (2), stem O-ring (2), stem washer - hex (1), stem washer - round (1), timing stop (1), seat (1), seal carrier (1), disc (1), disc O-ring (2) and stem bearing (1).

Sizes 14" and larger includes stem nut (1) 14" only, stem bearing (1), bearing O-ring (1), stem bushing (1), bushing O-ring (3), disc (1), seal carrier (1), seat (1) and stem O-ring (2) 16" and larger only.

Size	Part Number <sup>1,2</sup>		
	w/Buna-N	w/EPDM	w/FKM
1-1/2	BF-BOKD-015	BF-EOKD-015	BF-VOKD-015
2	BF-BOKD-020	BF-EOKD-020	BF-VOKD-020
2-1/2	BF-BOKD-025	BF-EOKD-025	BF-VOKD-025
3	BF-BOKD-030	BF-EOKD-030	BF-VOKD-030
4	BF-BOKD-040	BF-EOKD-040	BF-VOKD-040
6	BF-BOKD-060	BF-EOKD-060	BF-VOKD-060
8	BF-BOKD-080	BF-EOKD-080	BF-VOKD-080
10	BF-BOKD-100	BF-EOKD-100	BF-VOKD-100
12	BF-BOKD-120	BF-EOKD-120	BF-VOKD-120
14	—	BF-EOKD-140	BF-VOKD-140
16	—	BF-EOKD-160	BF-VOKD-160
18	—	BF-EOKD-180	BF-VOKD-180
20	—	BF-EOKD-200	BF-VOKD-200
24	—	BF-EOKD-240	BF-VOKD-240

1: CPVC Standard Valve Overhaul Kit available through 12" only. Add a "C" to the end of the part number shown (e.g., BF-BOKD-015C).

2: For PP, add a "P" to the end of the part number (e.g., BF-BOKD-015P).

## Butterfly Valve True Lug Valve Overhaul Kit with Disc

Includes stem nut (1), stem bushing (1), bushing O-ring (1), stem O-ring (1), stem washer - hex (1), stem washer - round (1), timing stop (1), seat (1), seal carrier (1) seal carrier flange O-ring (1), disc (1), disc O-ring (2) and stem bearing (1).

Size	Part Number <sup>1</sup>		
	w/Buna-N	w/EPDM	w/FKM
1-1/2	BFT-BOKD-015	BFT-EOKD-015	BFT-VOKD-015
2	BFT-BOKD-020	BFT-EOKD-020	BFT-VOKD-020
2-1/2	BFT-BOKD-025	BFT-EOKD-025	BFT-VOKD-025
3	BFT-BOKD-030	BFT-EOKD-030	BFT-VOKD-030
4	BFT-BOKD-040	BFT-EOKD-040	BFT-VOKD-040
6	BFT-BOKD-060	BFT-EOKD-060	BFT-VOKD-060
8	BFT-BOKD-080	BFT-EOKD-080	BFT-VOKD-080
10	BFT-BOKD-100	BFT-EOKD-100	BFT-VOKD-100
12	BFT-BOKD-120	BFT-EOKD-120	BFT-VOKD-120

1: For CPVC True Lug Valve Overhaul Kit with Disc, add a "C" to the end of the part number shown (e.g., BFT-BOKD-015C).

## Wafer Butterfly Valve Overhaul Kit

All Kits include Seat (1), Flange Gaskets (2), Stem Bushing O-rings (2), Bushing Washers (2), Stem Bushings (2).

Size	Part Number		
	w/Buna-N	w/EPDM	w/FKM
2	BFW-BOK-020	BFW-EOK-020	BFW-VOK-020
2-1/2	BFW-BOK-025	BFW-EOK-025	BFW-VOK-025
3	BFW-BOK-030	BFW-EOK-030	BFW-VOK-030
4	BFW-BOK-040	BFW-EOK-040	BFW-VOK-040
6	BFW-BOK-060	BFW-EOK-060	BFW-VOK-060
8	BFW-BOK-080	BFW-EOK-080	BFW-VOK-080
10	BFW-BOK-100	BFW-EOK-100	BFW-VOK-100
12	BFW-BOK-120	BFW-EOK-120	BFW-VOK-120

## Wafer Butterfly Valve Overhaul Kit w/Disc

All Kits include Seat (1), Flange Gaskets (2), Stem Bushing O-rings (2), Stem Bushing Washers (2), Stem Bushings (2), Replacement Disc (1).

Size	Part Number <sup>1</sup>		
	w/Buna-N	w/EPDM	w/FKM
2	BFW-BOKD-020	BFW-EOKD-020	BFW-VOKD-020
2-1/2	BFW-BOKD-025	BFW-EOKD-025	BFW-VOKD-025
3	BFW-BOKD-030	BFW-EOKD-030	BFW-VOKD-030
4	BFW-BOKD-040	BFW-EOKD-040	BFW-VOKD-040
6	BFW-BOKD-060	BFW-EOKD-060	BFW-VOKD-060
8	BFW-BOKD-080	BFW-EOKD-080	BFW-VOKD-080
10	BFW-BOKD-100	BFW-EOKD-100	BFW-VOKD-100
12	BFW-BOKD-120	BFW-EOKD-120	BFW-VOKD-120

1: For CPVC Overhaul Kits with Disc available in EPDM or FKM only. Add a "C" to the end of the part number shown (e.g., BFW-EOKD-020C).

## Wafer Butterfly Valve Overhaul Kit

All Kits include Seat (1), Flange Gaskets (2).

Size	Part Number		
	w/Buna-N	w/EPDM	w/FKM
2	BFW-BRK-020	BFW-ERK-020	BFW-VRK-020
2-1/2	BFW-BRK-025	BFW-ERK-025	BFW-VRK-025
3	BFW-BRK-030	BFW-ERK-030	BFW-VRK-030
4	BFW-BRK-040	BFW-ERK-040	BFW-VRK-040
6	BFW-BRK-060	BFW-ERK-060	BFW-VRK-060
8	BFW-BRK-080	BFW-ERK-080	BFW-VRK-080
10	BFW-BRK-100	BFW-ERK-100	BFW-VRK-100
12	BFW-BRK-120	BFW-ERK-120	BFW-VRK-120



## VALVE SERVICE & REPLACEMENT KITS

### Industrial Swing Check Valve Seat & O-ring Repair Kit

All kits include Bonnet O-ring (1), Disc O-ring (1), Seat O-ring (1), Plug O-ring (1) and Arm Plug O-ring (1).

Size	Part Number	
	w/EPDM O-rings	w/FKM O-rings
3/4	SK-ERK-007	SK-VRK-007
1	SK-ERK-010	SK-VRK-010
1-1/4	SK-ERK-012	SK-VRK-012
1-1/2	SK-ERK-015	SK-VRK-015
2	SK-ERK-020	SK-VRK-020
2-1/2 & 3	SK-ERK-030	SK-VRK-030
4	SK-ERK-040	SK-VRK-040
6	SK-ERK-060	SK-VRK-060
8	SK-ERK-080	SK-VRK-080

### Butterfly Check Valve Repair Kit

Repair Kit Contains: 1-Flex Seal Gasket Seat, 1-Hinge Post, 2-Flapper Plates, 2-Flapper Covers, 1-Post Strip, 2-Seat Post O-rings & Plastic Assembly Screws.

**Use Existing Hinge post Bolts**

Size	Part Number <sup>1</sup>	
	w/EPDM O-rings	w/FKM O-rings
2	BFC-ERK-020	BFC-VRK-020
2-1/2	BFC-ERK-025	BFC-VRK-025
3	BFC-ERK-030	BFC-VRK-030
4	BFC-ERK-040	BFC-VRK-040
6	BFC-ERK-060	BFC-VRK-060
8	BFC-ERK-080	BFC-VRK-080
10	BFC-ERK-100	BFC-VRK-100
12	BFC-ERK-120	BFC-VRK-120

<sup>1</sup>: For CPVC Butterfly Check Valve Repair Kit, add a "C" to the end of the part number shown (e.g., BFC-ERK-020C).





## Y-Pattern Valve - Internal Repair Kit

Internal Repair Kit includes: Stem O-ring (1), Seal Carrier (1), along with a factory assembled (required) internal component replacement unit consisting of Stem assembled with Seat & Seal Carrier components. Install in valve using existing valve Bonnet, Bonnet Nut, and Handle/Nut. True Union style valve kits include an additional End Connector O-rings (2).

Size	Part Number							
	w/EPDM O-ring	CPVC w/ EPDM O-ring	w/FKM O-ring	CPVC w/FKM O-ring	Union w/ EPDM O-ring	CPVC Union w/ EPDM O-ring	Union w/ FKM O-ring	CPVC Union w/ FKM O-ring
1/2	YV-ERK-005	YV-ERK-005C	YV-VRK-005	YV-VRK-005C	YV-UERK-005	YV-UERK-005C	YV-UVRK-005	YV-UVRK-005C
3/4	YV-ERK-007	YV-ERK-007C	YV-VRK-007	YV-VRK-007C	YV-UERK-007	YV-UERK-007C	YV-UVRK-007	YV-UVRK-007C
1	YV-ERK-010	YV-ERK-010C	YV-VRK-010	YV-VRK-010C	YV-UERK-010	YV-UERK-010C	YV-UVRK-010	YV-UVRK-010C
1-1/4	YV-ERK-012	YV-ERK-012C	YV-VRK-012	YV-VRK-012C	YV-UERK-012	YV-UERK-012C	YV-UVRK-012	YV-UVRK-012C
1-1/2	YV-ERK-015	YV-ERK-015C	YV-VRK-015	YV-VRK-015C	YV-UERK-015	YV-UERK-015C	YV-UVRK-015	YV-UVRK-015C
2	YV-ERK-020	YV-ERK-020C	YV-VRK-020	YV-VRK-020C	YV-UERK-020	YV-UERK-020C	YV-UVRK-020	YV-UVRK-020C
3	YV-ERK-030	YV-ERK-030C	YV-VRK-030	YV-VRK-030C	YV-UERK-030	YV-UERK-030C	YV-UVRK-030	YV-UVRK-030C
4	YV-ERK-040	YV-ERK-040C	YV-VRK-040	YV-VRK-040C	YV-UERK-040	YV-UERK-040C	YV-UVRK-040	YV-UVRK-040C

## Y-Check Valve - Seat & O-ring Repair Kit

All Kits include Seat (1), Bonnet O-ring (1), and Plug O-ring (1).

All True Union Kits include Seat (1), Bonnet O-ring (1), Plug O-ring (1), and End Connector O-rings (2).

Size	Part Number			
	w/EPDM O-ring	w/FKM O-ring	Union w/EPDM O-ring	Union w/FKM O-ring
1/2	YC-ERK-005	YC-VRK-005	YC-UERK-005	YC-UVRK-005
3/4	YC-ERK-007	YC-VRK-007	YC-UERK-007	YC-UVRK-007
1	YC-ERK-010	YC-VRK-010	YC-UERK-010	YC-UVRK-010
1-1/4	YC-ERK-012	YC-VRK-012	YC-UERK-012	YC-UVRK-012
1-1/2	YC-ERK-015	YC-VRK-015	YC-UERK-015	YC-UVRK-015
2	YC-ERK-020	YC-VRK-020	YC-UERK-020	YC-UVRK-020
3	YC-ERK-030	YC-VRK-030	YC-UERK-030	YC-UVRK-030
4	YC-ERK-040	YC-VRK-040	YC-UERK-040	YC-UVRK-040

## Diaphragm Valve - Diaphragm & End Connector O-ring Replacement Kit

Includes diaphragm (1), and end connector O-rings (2).

Size	Part Number				
	EPDM O-ring & DIAPHRAGM KIT	EPDM O-ring & PTFE* DIAPHRAGM KIT	FKM O-ring & DIAPHRAGM KIT	FKM O-ring & PTFE* DIAPHRAGM KIT	FKM O-ring & FKM Backed Diaphragm Kit
1/2	DV-ERK-005	DV-TERK-005	DV-VRK-005	DV-TVRK-005	DV-VTVRK-005
3/4	DV-ERK-007	DV-TERK-007	DV-VRK-007	DV-TVRK-007	DV-VTVRK-007
1	DV-ERK-010	DV-TERK-010	DV-VRK-010	DV-TVRK-010	DV-VTVRK-010
1-1/4 or 1-1/2	DV-ERK-015	DV-TERK-015	DV-VRK-015	DV-TVRK-015	DV-VTVRK-015
2	DV-ERK-020	DV-TERK-020	DV-VRK-020	DV-TVRK-020	DV-VTVRK-020

\* Elastomer backed PTFE laminated diaphragm.

## Diaphragm Valve - Replacement Diaphragm

Size	Part Number			
	EPDM DIAPHRAGM	FKM DIAPHRAGM	PTFE* DIAPHRAGM	FKM backed PTFE* DIAPHRAGM
1/2	27-39-00541	27-39-00542	27-39-00565	27-39-00566A
3/4	27-39-00741	27-39-00742	27-39-00765	27-39-00766A
1	27-39-01041	27-39-01042	27-39-01065	27-39-01066A
1-1/4 or 1-1/2	27-39-01541	27-39-01542	27-39-01565	27-39-01566
2	27-39-02041	27-39-02042	27-39-02065	27-39-02066
2-1/2 or 3	27-39-03041	27-39-03042	27-39-03065	27-39-03066
4	27-39-04041	27-39-04042	27-39-04065	27-39-04066
6	27-39-06041	27-39-06042	27-39-06065	27-39-06066
8	27-39-08041	27-39-08042	27-39-08065	27-39-08066

\* Elastomer backed PTFE laminated diaphragm.



## BALL VALVE TROUBLESHOOTING GUIDE

Spears® True Union, Single Entry and Compact Ball Valves are designed and produced for trouble-free operation and use. However, certain aspects of installation and application can result in valve malfunctions.

This guide identifies some of the more common problems encountered and their necessary corrective actions. Such problems have been categorized as External Leaks, Internal Leaks, Frozen Movements and Structural Breakage.

<b>External Leaks</b>		
Location	Possible Cause	Corrective Action
At Thread/Socket Connections	<p>Improper solvent cementing.</p> <p>Improper threads.</p> <p>Insufficient or improperly applied thread sealant; incompatible sealant (paste).</p> <p>Over-tightened thread joint splitting connector.</p> <p>Insufficient valve support splitting connector.</p>	<p>Replace end connector(s) according to installation instructions.</p> <p>Check threads for proper size; replace or reinstall.</p> <p>Reinstall thread connection according to proper procedures; check paste compatibility.</p> <p>Replace cracked end connector(s).</p> <p>Replace cracked end connector(s). Add support on each side of valve.</p>
At Union Nuts	<p>End connector misaligned.</p> <p>Displaced or damaged O-ring; particles in O-ring groove.</p> <p>System contraction pulling end connectors; improper end connector spacing.</p> <p>Loose Union Nut.</p> <p>Displaced or pinched seal carrier O-ring.</p>	<p>Check system alignment - end connector(s) must be parallel. Check for adequate valve support.</p> <p>Remove valve and inspect O-ring for physical or chemical damage. Check O-ring compatibility, replace accordingly. Clean and re-seat O-ring.</p> <p>Check thermal variations; anchor pipe each side of valve; install expansion loop. Correct spacing.</p> <p>Re-tighten nut.</p> <p>Remove and disassemble seal carrier; re-seat or replace O-ring.</p>
At Stem	<p>Damaged stem O-ring.</p>	<p>Remove and disassemble valve stem; inspect for physical or chemical damage. Check O-ring compatibility, clean and replace accordingly.</p>

# BALL VALVE TROUBLESHOOTING GUIDE



## Internal Leaks — In-line Leakage Past Valve

Possible Cause	Corrective Action
Ball obstruction	Check that the valve is in its "full-closed" position. If not, remove valve and check for solids blocking the ball port. Clean and reinstall valve.
Broken Stem	Remove end connector and check for ball rotation while operating valve. Replace as necessary.
Seal Carrier Loose	True Union Valves - remove valve; CAREFULLY tighten seal carrier (located on inlet end of body). Single Entry Valves - CAREFULLY tighten single Union Nut. IMPORTANT: Generally only a slight adjustment is required (either valve). A properly adjusted valve should have significant resistance to operation without binding - AVOID OVER-TIGHTENING!
PTFE Seat Damage or Debris Laden	Remove and disassemble valve seats. Check for excessive debris and physical damage (nicks, cuts, scoring, etc.). Clean and replace as necessary.
Seat O-ring Displaced, Damaged or Debris Laden	Remove and disassemble valve seat O-rings; check for physical or chemical damage. Check O-ring chemical compatibility; clean and replace accordingly. Check for excessive system flow rate.
Ball Damaged	Remove and disassemble valve ball. Check for physical damage (excessive nicks, scoring, etc.) at seat sealing surface (perpendicular to ball port). Clean surface; replace ball if necessary. Check for chemical damage and valve material (PVC, CPVC) compatibility.
Solvent-Cement (glue) Contamination from Installation Spillage	Remove valve and check for glue deposits on ball or seat areas. Clean, if possible; excessive damage may require component replacement.
Thermal Damage (component distortion)	Check system operating temperatures, external heat sources (including direct sun), and heat generated from system design or valve placement.

## Frozen Movements — unable, or very difficult, to open/close; sometimes accompanied by stem break (shear)

Possible Cause	Corrective Action
Internal Obstructions; Sediment or Particle Buildup; Solvent Cement on Ball	Remove valve and check for solids, debris or solvent cement deposits blocking the ball or valve interior. Check for sediment particles lodged around ball-to-seat contact areas. Remove stem and check for the same. Clean and reinstall.
Over-tight Seal Carrier	True-Union Valves - remove valve; slightly loosen seal carrier (located on inlet end of body). Single Entry Valves - slightly loosen single Union Nut. IMPORTANT: Generally only a slight adjustment is required (either valve). A properly adjusted valve should have significant resistance to operation without binding.
Chemical Attack (generally appears as distortion, peeling, etching or bleaching of ball sealing surfaces or other internal components)	Check valve material (PVC, CPVC) chemical compatibility with system fluids. Be sure to consider operating temperatures with this determination.



## BALL VALVE TROUBLESHOOTING GUIDE

<b>Structural Breakage</b>		
Location	Possible Cause	Corrective Action
Handle broken	Frozen movements. External impact.	See "Frozen Movements" section. Replace. Identify and correct source.
Handle Stripped	Overextending open/close range. Excessive exposure to direct-sunlight has softened handle material.	Replace handle. Shield or screen valve from direct-sun exposure.
Stem Sheared / Broken	Frozen movements; external impact.	See "Frozen Movements" section.
Broken Union Nut	Nut has been over tightened to draw-up or align end-connectors; external impact.  Inadequate valve supports.  Excessive internal pressure / Hydraulic Shock	Adjust spacing between end-connectors for proper valve lay-lengths. Check system alignment - end connector(s) must be parallel.  Provide system support on each side of valve.  Check system pressures and surge pressures; check for entrapped air.
End Connector Break	System misalignment; external impact.  Over-tighten thread-joint connection.  Inadequate valve support.	Check system alignment - end connector(s) must be parallel.  Install new end connector according to installation instructions.  Provide system support on each side of valve.
Body Break	External impact.  Excessive internal pressure.  System misalignment.  Inadequate valve support.  Chemical attack.	Identify and correct source.  Check system pressures and surge pressures; check for entrapped air.  Check system alignment - end connector(s) must be parallel.  Provide system support on each side of valve.  Check chemical compatibility of system fluids.

**NOTES:** Certain corrective actions of this guide may not be feasible with the Compact Ball Valve (sealed unit).

Improper system operating temperatures and chemical incompatibility can cause a variety of functional and structural failures. Be sure to use proper valve material-types for both temperature and chemical resistance.

Most valve problems are traceable to improper system design or installation. Be sure to have all design performed by a qualified Engineer and installation made by properly trained personnel.

Spears® valve Installation Instructions and Maintenance/Service Procedures should be followed in conjunction with all corrective actions.



## Part II - Actuated Thermoplastic Valves

### Full Line of Valve Actuation

From basic on-off actuation to full feature, custom applications, Spears® offers a wide variety of both pneumatic and Electric actuated valve packages for Ball Valves, Butterfly Valves and Diaphragm Valves. Spears® maintains one of the broadest lines of valve options to select from in PVC, CPVC and Polypropylene materials.

### Pre-Matched Valve & Actuator Packages

Spears® makes actuation easy by matching each valve type and size with the appropriate actuator for proper operating torque and cycle time to assure optimum performance.

### Custom Actuation Configurations

Spears® Premium Actuation Packages can be fully customized to user specifications by addition of selected control accessories. Select from our wide variety of accessories and options or contact Spears® for virtually any special actuation need, even if not specified.

### Factory Assembled - Ready for Installation

Whether standard or custom configured, actuation packages include valve, actuator mounting, coupling and factory assembled precision actuator ready for installation. Spears® uses only the finest materials in interfacing each valve and actuator to provide reliable operation and long service life.

### How to Use This Manual

This manual provides technical information on Spears® actuated valve packages and accessories. Actuation Packages are listed in separate sections by valve type (ball, butterfly, diaphragm) and actuation type (Electric, Pneumatic).

Each section provides full package information including package description, standard valve specifications and options, package actuator specifications and options, a brief list of available accessories, plus a Sample Engineering Specification.

Specifications for actuator Options & Accessories for custom actuation are described in additional sections according to actuator type (Electric or Pneumatic). Each section includes an overview followed by a brief description of each option and accessory.

The appendices provide additional information on general actuation terminology and definitions, and on Spears® part numbering convention for custom actuation for use at the user's discretion. Part number formulation is not required to order valve packages from Spears®, but is provided for those who wish to select the appropriate part number in preparation of a custom valve package order.

*Contact Spears® for any desired accessories, options, functions  
or special controls not listed in this guide.*



The information in this manual is believed to be accurate at the time of publication, but is subject to change without notice.



## SPEARS® ACTUATED VALVE PACKAGES

Choose from economical Electro Ball Valve packages, or one of Spears® Premium Actuation packages which can be fully customized to user specifications with addition of custom feature and control accessories for Spears® True Union and Compact 2000 Ball Valves, Butterfly Valves or Diaphragm Valves. Retrofit actuation of existing Spears® valve installations is also available. Contact factory for additional information.

### Actuated Valve Packages Overview

Basic Valve Illustration	Valve Type	Basic Valve Options				Actuation Package Available		
		Basic Valve Material	Size Range (inch)	Seal Material Options	End Connector Options	Premium Electric Actuation	Premium Pneumatic Actuation	Electro Series Actuation
 <p style="color: blue; font-size: small;">Typical Illustration</p>	True Union Ball Valves	PVC	1/2 - 6	EPDM FKM PTFE	Socket Threaded Flanged	X	X	X 1/2" - 2"
		CPVC	1/2 - 6	EPDM FKM PTFE	Socket Threaded Flanged	X	X	X 1/2" - 2"
 <p style="color: blue; font-size: small;">Typical Illustration</p>	Compact 2000 Ball Valves	PVC	1/2 - 6	EPDM FKM	Socket Threaded Flanged	X	X	X 1/2" - 2"
		CPVC	1/2 - 6	EPDM FKM	Socket Threaded Flanged	X	X	X 1/2" - 2"
 <p style="color: blue; font-size: small;">Typical Illustration</p>	Butterfly Valves	PVC	1-1/2 - 12	Buna-N EPDM FKM PTFE	Flanged	X	X	
		CPVC	1-1/2 - 12	Buna-N EPDM FKM PTFE	Flanged	X	X	
		PP	1-1/2 - 24 <sup>1</sup>	EPDM FKM PTFE	Flanged	X	X	
 <p style="color: blue; font-size: small;">Typical Illustration</p>	Diaphragm Valves	PVC	1/2 - 8 <sup>2</sup>	EPDM FKM PTFE	Socket <sup>3</sup> Threaded <sup>3</sup> Spigot <sup>4</sup> Flanged	X	X	
		CPVC	1/2 - 8 <sup>2</sup>	EPDM FKM PTFE	Socket Threaded Spigot Flanged	X	X	
		PP	1/2 - 8 <sup>2</sup>	EPDM FKM PTFE	Threaded Flanged	X	X	

- Notes:**
- 1 - Butterfly Valves sizes 30" - 60" produced to order.
  - 2 - 2-1/2" to 8" Diaphragm Valves available in Flanged ends only.
  - 3 - 1/2" - 2" Socket and threaded Diaphragm Valves are True Union style.
  - 4 - Spigot Diaphragm Valves available in sizes 1/2" - 2" only.

Contact Spears® for Additional Custom Configurations to User Specifications

# ELECTRO SERIES ACTUATED BALL VALVES



The Electro Actuated Ball Valve provides high quality, basic on-off electrical actuation at an economical price, with voltage options and special “2-wire” control available. This prepackaged combination is constructed with an all plastic NEMA 4X enclosure directly mounted to a PVC or CPVC valve body for lighter weight and a low profile design for minimal space requirements. All Electro Series Ball Valves are pressure rated to 235 psi and suitable for vacuum service. Available in IPS sizes 1/2" - 2", with socket, threaded, or flanged ends and choice of EPDM or FKM O-ring seals.



Typical Illustration



Typical Illustration

## ELECTRO ACTUATED COMPACT 2000 BALL VALVE

Compact Electro Ball Valves are built around Spears® industrial grade Compact 2000 Ball Valve. This heavy bodied, sealed unit design is well suited for a multitude of general purpose, industrial, and OEM actuation needs.

## ELECTRO ACTUATED TRUE UNION BALL VALVE

The Electro True Union Ball Valve utilizes Spears® industrial grade True Union Ball Valve. This fully repairable, double union style allows easy in-line removal for servicing and is the valve of choice for many industrial and chemical processing applications.

### ELECTRO 50 & 100 ACTUATOR SPECIFICATIONS

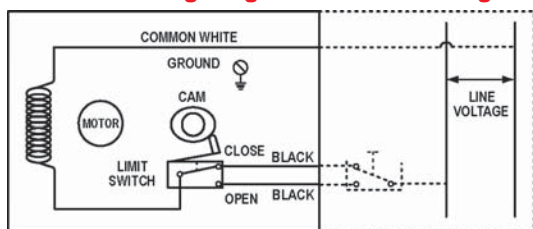
Motor: Brushless, Non-Reversing, Shaded Pole, Thermally Protected  
 Torque: ELECTRO-50 50 in./lbs. (1/2" - 1" Valves)  
 ELECTRO-100 100 in./lbs. (1-1/4" - 2" Valves)  
 Opening Time: 5 seconds  
 Closing Time: 5 seconds  
 Duty Cycle: 25% standard (optional 75% available)  
 Limit Switch: Cam Operated, Omni Directional, SPDT  
 Housing: NEMA 4X (Weatherproof, Corrosion Proof), High Impact Polypropylene, SS 316 Fasteners 1/2" NPT Connection  
 Indicator: Visual Open/Close - Standard  
 Voltage: 115V standard (see Voltage Options)

Optional “2-Wire” Control:  
 Control switch setup operates as a solenoid valve. Valve opens when control switch is open 5-seconds and closes when control switch is closed 5-seconds. Uses 4-wire connection with 2 wires to line voltage and 2 wires to SPST control switch.

#### Voltage Options:

Voltage	Load AMP Electro-50	Load AMP Electro-100
12 VAC	2.40	N/A
24 VAC	2.1	7.8
115 VAC	.6	1.9
230 VAC	.5	1.5
12 VDC	.3	.2
24 VDC	.2	.2

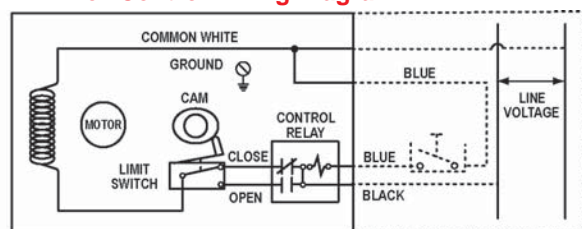
#### Standard Wiring Diagram 115 VAC Wiring



ELECTRO WIRING

EXTERNAL WIRING

#### “2-Wire” Control Wiring Diagram



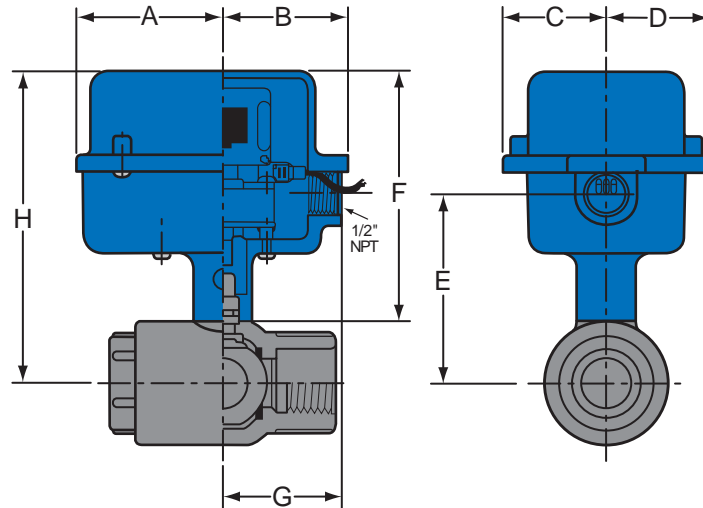
ELECTRO WIRING

EXTERNAL WIRING



# ELECTRO SERIES ACTUATED BALL VALVES

## Compact Ball Valve



**Actuated Compact Ball Valve Dimensions**

Valve Size	A	B	C	D	E	F	G	H
1/2	2-7/8	2-1/2	2	2	3-3/8	5-5/8	2-5/16	6-5/8
3/4	2-7/8	2-1/2	2	2	3-9/16	5-5/8	2-5/16	6-7/8
1	2-7/8	2-1/2	2	2	3-5/8	5-5/8	2-5/16	7-1/16
1-1/4	3-5/8	2-7/16	2	2	4-3/4	5-7/8	2-7/16	7-5/8
1-1/2	3-5/8	2-7/16	2	2	5	5-7/8	2-7/16	7-7/8
2	3-5/8	2-7/16	2	2	5-1/2	5-7/8	2-7/16	8-3/8

**Valve:** PVC or CPVC Industrial Grade Valve,  
 Non-Repairable Sealed Unit  
 PTFE Seats  
 EPDM or FKM O-rings  
 Socket, Threaded or Flanged End Connection  
 Vacuum Service Rated  
 Pressure rated to 235 psi water @ 73°F  
 (Flanged to 150 psi)

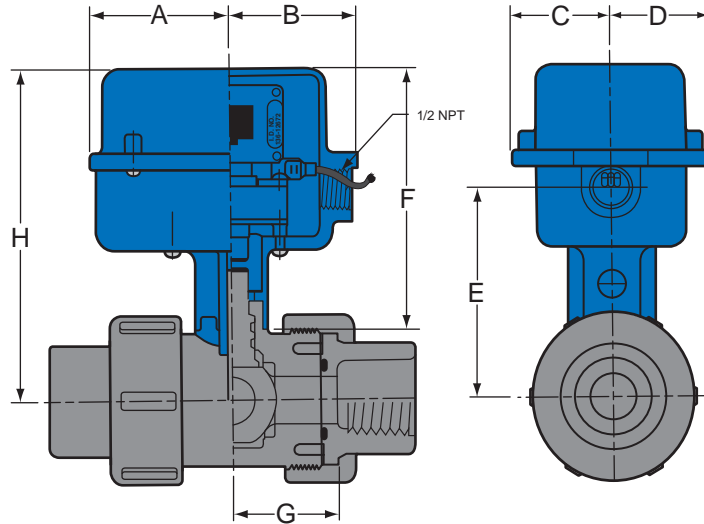
**Sample Engineering Specification**  
 All actuated ball valves shall be PVC or CPVC construction with direct mount electric actuator. Valve shall be compact sealed unit type, pressure rated to 235 psi @ 73°F (150 psi for flanged), with PTFE seats, Safe-T-Shear® Stem, EPDM or FKM O-rings, and socket, threaded or flanged end connections. Actuator shall be direct mount, with brushless non-reversing quarter turn motors and built in visual open/close position indicator. Actuator housing shall be weather proof and corrosion proof (NEMA 4X) with type 316 stainless steel fasteners, as manufactured by Spears® Manufacturing Company.



# ELECTRO SERIES ACTUATED BALL VALVES



## True Union Ball Valve



**Actuated True Union Ball Valve Dimensions**

Valve Size	A	B	C	D	E	F	G	H
1/2	2-7/8	2-1/2	2	2	3-3/8	5-5/8	2-5/16	6-5/8
3/4	2-7/8	2-1/2	2	2	3-9/16	5-5/8	2-5/16	6-7/8
1	2-7/8	2-1/2	2	2	3-5/8	5-5/8	2-5/16	7-1/16
1-1/4	3-5/8	2-7/16	2	2	4-13/16	5-7/8	2-7/16	7-5/8
1-1/2	3-5/8	2-7/16	2	2	5	5-7/8	2-7/16	7-7/8
2	3-5/8	2-7/16	2	2	5-1/2	5-7/8	2-7/16	8-3/8

**Valve:** PVC or CPVC Industrial Grade Valve  
 Double Union Style with Blocked Seal Carrier  
 Fully Repairable & Adjustable  
 PTFE Seats  
 EPDM or FKM O-rings  
 Socket, Threaded or Flanged End Connection  
 Vacuum Service Rated  
 Pressure rated to 235 psi water @ 73°F  
 (Flanged to 150 psi)

### Sample Engineering Specification

All actuated ball valves shall be PVC or CPVC construction with direct mount electric actuator. Valve shall be True Union type, pressure rated to 235 psi @ 73°F (150 psi for flanged), with buttress threaded union nuts, PTFE seats, Safe-T-Shear® Stem, EPDM or FKM O-rings, and socket, threaded or flanged end connections. Actuator shall be direct mount, with brushless non-reversing quarter turn motors and built in visual open/close position indicator. Actuator housing shall be weather proof and corrosion proof (NEMA 4X) with type 316 stainless steel fasteners, as manufactured by Spears® Manufacturing Company.



PREMIUM ACTUATED VALVE PACKAGES



Typical Illustration

Electric True Union Ball Valve



Typical Illustration

Pneumatic True Union Ball Valve



Typical Illustration

Electric Actuated Butterfly Valve



Typical Illustration

Pneumatic Actuated Butterfly Valve



Typical Illustration

Electric Actuated Diaphragm Valve



Typical Illustration

Pneumatic Actuated Diaphragm Valve



Typical Illustration





## Spears® True Union 2000 Ball Valve Premium Electric Actuation Package

The compact design of True Union 2000 Ball Valves provides maximum versatility with minimum space requirements. Fully serviceable valve cartridge also mates with Spears® Union 2000 Schedule 80 pipe unions. Both valves and unions utilize Buttress Thread union nuts for superior strength. All ball valves feature Spears® self adjusting Floating Seat design for extended service, and Spears® Safe-T-Shear® Stem with double O-ring stem seals for assurance of fluid containment in case of inadvertent valve damage. Available in chemical and corrosion resistant PVC or CPVC with socket, flanged or Spears® Patented Special Reinforced (SR) threaded.

Actuated package includes polypropylene valve mounting bracket for accurate valve/actuator alignment and support in any position. Premium electric actuator utilizes a reversing type motor with UL approved, built in thermal overload protection. Gear train is permanently lubricated. All hardware is stainless steel. Standard 115 VAC, 60 HZ, with voltage options available.



Declutchable Style Shown

Typical Illustration

### True Union 2000 Ball Valve Specifications

Style	Double union • 1/4 turn shut off
	• Double O-ring stem seals
	• Safe-T-Shear® Stem
	• Blocked seal carrier
Material	PVC or CPVC
Size Range	1/2" - 6" & 8" Venturied*
Pressure Rating	1/2" - 4" = 235 psi @ 73°F
	6" - 8" & all flanged
	valves = 150 psi @ 73°F
Vacuum Service	To 26 in-Hg
Seats	PTFE
O-rings	EPDM or FKM
End Connector	Socket, SR Threaded, or Flanged
Certifications	EPDM Valves NSF® Certified for potable water use.

\*8" Venturied is 6" valve fitted with 8 x 6 adapters

### Standard Actuator Specifications

Motor	Reversing
Thermal Overload Protection	
Voltage	115 VAC, 60 Hz
Lubrication	Permanent

### Custom Electric Actuation Options & Accessories

- Modulating (variable positioning)
- Heater & Thermostat
- Additional Limit Switch sets
- Position Indicator
- LED Indicator lights
- Torque Sensor
- Declutchable Manual Override
- Duty Cycle Upgrades (75% & 100%)
- NEMA 4x, 7, & 9 Enclosures
- Spring Return Operation (Fail Safe)
- Voltage Options: 24 VAC, 230 VAC, 12 VDC, 24 VDC

**Note:** Modulation requires special enclosure for 1/2" - 2" valves.

### Sample Engineering Specification

All ball valves shall be electrically actuated True Union 2000 type constructed from PVC Type I Cell Classification 12454 or CPVC Type IV Cell Classification 23447. All O-rings shall be EPDM or FKM. All valves shall have Safe-T-Shear® stem and double O-ring stem seals. All valve union nuts shall have Buttress threads. All seal carriers shall be Safe-T-Blocked®. All valve components shall be replaceable. All EPDM valves shall be certified by NSF® international for use in potable water service. All 1/2" through 4" valves shall be pressure rated at 235 psi and all 6" through 8" & all flanged valves shall be pressure rated at 150 psi for water at 73°F. Electric Actuators shall be factory installed, 115 VAC with thermally protected, reversing motor. All mounting fasteners shall be stainless steel. Actuator shall be equipped with [selected options list], as manufactured by Spears® Manufacturing Company.



# PNEUMATIC ACTUATED TRUE UNION BALL VALVES

## Spears® True Union 2000 Ball Valve Premium Pneumatic Actuation Package

The compact design of True Union 2000 Ball Valves provides maximum versatility with minimum space requirements. Fully serviceable valve cartridge also mates with Spears® Union 2000 Schedule 80 pipe unions. Both valves and unions utilize Buttress Thread union nuts for superior strength. All ball valves feature Spears® self adjusting Floating Seat design for extended service, and Spears® Safe-T-Shear® Stem with double O-ring stem seals for assurance of fluid containment in case of inadvertent valve damage. Available in chemical and corrosion resistant PVC or CPVC with socket, flanged or Spears® Patented Special Reinforced (SR) threaded.

Actuated package includes polypropylene valve mounting bracket for accurate valve/actuator alignment and support in any position. Premium pneumatic actuator is an Air-to-Air (Double Acting; optional Spring Return) featuring twin piston rack and pinion operation with adjustable stops, and permanent lubrication. Manual override is standard. Housing is hard anodized aluminum with epoxy coated aluminum end caps.



Typical Illustration

### True Union 2000 Ball Valve Specifications

Style	Double union • 1/4 turn shut off • Blocked seal carrier • Double O-ring stem seals • Safe-T-Shear® Stem
Material	PVC or CPVC
Size Range	1/2" - 6" & 8" Venturied*
Pressure Rating	1/2" - 4" = 235 psi @ 73°F 6" - 8" & all flanged valves = 150 psi @ 73°F
Vacuum Service	To 26 in-Hg
Seats	PTFE
O-rings	EPDM or FKM
End Connector	Socket, SR Threaded, or Flanged
Certifications	EPDM Valves NSF® Certified for potable water use.

\*8" Venturied is 6" valve fitted with 8 x 6 adapters

### Standard 2-Position Actuator Specifications

Type	Dual piston • rack & pinion • adjustable stop
Standard Operation	Air-to-Air (double acting)
Supply Pressure	80 psi
Air Connection	1/4" - 1/8"

### Custom Pneumatic Actuation Options & Accessories

- Spring Return Operation (Fail Safe)
- 60 psi or 40 psi Operating Pressure
- Declutchable Manual Override
- Pneumatic & Electro Pneumatic Positioners
- 3 & 4 Way Solenoid Valve  
12VDC, 24VDC, 24VAC, 115VAC, 230VAC  
NEMA 4/4x & 7/9 rating
- Dual Power Solenoids
- Output Signal Limit Switches
- Standard Limit Switches
- Dome Position Indicator
- Stainless Steel Gauge Sets
- Customized ID Tags

### Sample Engineering Specification

All ball valves shall be pneumatically actuated True Union 2000 type constructed from PVC Type I Cell Classification 12454 or CPVC Type IV Cell Classification 23447. All O-rings shall be EPDM or FKM. All valves shall have Safe-T-Shear® stem and double O-ring stem seals. All valve union nuts shall have Buttress threads. All seal carriers shall be Safe-T-Blocked®. All valve components shall be replaceable. All EPDM valves shall be Certified by NSF® International for use in potable water service. All 1/2" through 4" valves shall be pressure rated at 235 psi and all 6" through 8" and all flanged valves shall be pressure rated at 150 psi for water at 73°F. Pneumatic Actuators shall be factory installed, dual piston, rack & pinion design with adjustable stops. Operation shall be Air-to-Air (double acting) for 80 psi supply pressure. All mounting fasteners shall be stainless steel. Actuator shall be equipped with [selected options list], as manufactured by Spears® Manufacturing Company.

# ELECTRIC ACTUATED BUTTERFLY VALVES



## Spears® Butterfly Valve Premium Electric Actuation Package

Spears® innovative patented seat design departs from traditional liner-seat type valves to eliminate seat creep, reduce operating torque and provide positive seal off. Ideally suited for flow control or throttling, this high performance valve offers a full variety of options for greater application versatility. Fully isolated (Dry Stem), solid type 316 stainless steel with optional PTFE coated stems available for extra protection assurance. PVC and CPVC valves are available in Standard or True Lug style for sizes 1-1/2" through 14". Polypropylene valves are available in Standard valve style for sizes 1-1/2" through 24", plus sizes 30" through 60" produced to order. Premium electric actuator utilizes a reversing type motor with UL approved, built in thermal overload protection. Gear train is permanently lubricated 1/2" NPT conduit outlet. Standard 115 VAC connection.



Declutchable Style Shown

Typical Illustration

## Butterfly Valve Specifications

Style	Flanged
Material	PVC, CPVC, UV Stabilized PP
Size Range	PVC/CPVC = 1-1/2" - 12" PP = 1-1/2" - 24" (custom 30" - 60")
Pressure Rating	1-1/2" - 12" = 150 psi @ 73°F 14" = 100 psi @ 73°F 16" = 85 psi @ 73°F 18" = 70 psi @ 73°F 20" - 24" = 50 psi @ 73°F
Seats & Seals	Buna-N, EPDM or FKM on PVC/CPVC valves; EPDM or FKM on Polypropylene valves
Bolt Pattern	ANSI Class 125/150

## Standard 2-Position Actuator Specifications

Motor Reversing	
Thermal Overload Protection	
Voltage	115 VAC, 60 Hz
Lubrication	Permanent

**Note:** Contact Spears® for information on valve sizes 14" and larger.

## Special Valve Options & Accessories

- PVC & CPVC True-Lug valves w/ factory installed lugs
- PTFE coated stainless steel stem
- Titanium & Hastaloy Stems
- PTFE encased valve seat
- Field installable Lug Insert sets for PVC/CPVC valves through 12"
- Stem Extensions
- Seat & Seal Replacement Kits
- 30" - 60" Polypropylene valves (contact Spears® for details)

## Custom Electric Actuation Options & Accessories

- Modulating (variable positioning)
- Heater & Thermostat
- Additional limit switch sets
- Position indicator
- LED Indicator lights
- Torque sensor
- Declutchable Manual Override
- Duty Cycle Upgrades (75% & 100%)
- NEMA 4x, 7, & 9 Enclosures
- Voltage Options: 24 VAC, 230 VAC, 230 VAC 3-phase 60 Hz, 460 VAC 3-phase 60 Hz, 12 VDC, 24 VDC (see Accessories & Options section for limitations)
- Custom ID Tags

## Sample Engineering Specification

All electrically actuated Butterfly valves shall be constructed from PVC Type I Cell Classification 12454 or CPVC Type IV Cell Classification 23447 or UV stabilized Polypropylene. All valve seats and O-rings shall be Buna-N, EPDM or FKM. Seat shall be a non-liner type interlocked to valve body. Bolt hole pattern shall conform to ANSI/ASME B16.5 CL 125/150. Disc shall be offset design with Type 316 stainless steel stem. Valves shall be pressure rated at [select from specification] for water at 73°F. Electric Actuators shall be factory installed, 115 VAC with thermally protected, reversing motor. Actuator shall be equipped with [selected options list] as manufactured by Spears® Manufacturing Company.



# PNEUMATIC ACTUATED BUTTERFLY VALVES

## Spears® Butterfly Valve Premium Pneumatic Actuation Package

Spears® innovative patented seat design departs from traditional liner-seat type valves to eliminate seat creep, reduce operating torque and provide positive seal off. Ideally suited for flow control or throttling, this high performance valve offers a full variety of options for greater application versatility. Fully isolated (Dry Stem), solid type 316 stainless steel stems with optional PTFE coated stems available for extra assurance. PVC and CPVC valves are available in Standard or True Lug style for sizes 1-1/2" through 14". Polypropylene valves are available in Standard valve style for sizes 1-1/2" through 24", plus sizes 30" through 60" produced to order. Premium pneumatic actuator is an Air-to-Air (Double Acting; optional Spring Return) featuring twin piston rack and pinion operation with adjustable stops, and permanent lubrication. Manual override is standard. Housing is hard anodized aluminum with epoxy coated aluminum end caps.



Typical Illustration

## Butterfly Valve Specifications

Style	Flanged
Material	PVC, CPVC, PP
Size Range	PVC/CPVC = 1-1/2" - 12" PP = 1-1/2" - 24" (custom 30" - 60")
Pressure Rating	1-1/2" - 12" = 150 psi @ 73°F 14" = 100 psi @ 73°F 16" = 85 psi @ 73°F 18" = 70 psi @ 73°F 20" - 24" = 50 psi @ 73°F
Seats & Seals	Buna-N, EPDM or FKM on PVC/CPVC valves; EPDM or FKM on Polypropylene valves
Bolt Pattern	ANSI Class 125/150

## Standard 2-Position Actuator Specifications

Type	Dual piston • rack & pinion • adjustable stop
Standard Operation	Air-to-Air (double acting)
Supply Pressure	80 psi
Air Connection	1/4" - 1/8" Depends on Actuator

**Note:** Contact Spears® for information on valve sizes 14" and larger.

## Special Valve Options & Accessories

- "True-Lug" style factory installed lugs (PVC & CPVC valves only)
- PTFE coated stainless steel stem
- Titanium & Hastaloy Stems
- PTFE encased valve seat
- Field installable Lug Insert sets for PVC/CPVC valves through 12"
- Stem Extensions
- Seat & Seal Replacement Kits
- 30" - 60" Polypropylene valves (contact Spears® for details)

## Custom Pneumatic Actuation Options & Accessories

- Spring Return Operation (Fail Safe)
- 60 psi or 40 psi Operating Pressure
- Declutchable Manual Override
- Pneumatic & Electro Pneumatic Positioners
- 3 & 4 Way Solenoid Valves  
12VDC, 24 VDC, 24VAC, 115VAC, 230VAC  
NEMA 4/4x & 4.4x.7/9 rating
- Dual Power Solenoids
- Output Signal Limit Switches
- Standard Limit Switches
- Dome Position Indicator
- Stainless Steel Gauge Sets
- Customized ID Tags

## Sample Engineering Specification

All pneumatically actuated Butterfly valves shall be constructed from PVC Type I Cell Classification 12454 or CPVC Type IV Cell Classification 23447 or UV stabilized Polypropylene. All valve seats and O-rings shall be Buna-N, EPDM or FKM. Seat shall be a nonliner type interlocked to valve body. Bolt hole pattern shall conform to ANSI/ASME B16.5 CL 125/150. Disc shall be offset design with Type 316 stainless steel stem and hardware. Valves shall be pressure rated at [select from specifications] for water at 73°F. Pneumatic Actuators shall be factory installed, dual piston, rack & pinion design with adjustable stops. Operation shall be Air-to-Air (double acting) for 80 psi supply pressure. Actuator shall be equipped with [selected options list], as manufactured by Spears® Manufacturing Company.

# ELECTRIC ACTUATED DIAPHRAGM VALVES



## Spears® Diaphragm Valve Premium Electric Actuation Package

This full-featured industrial grade valve is engineered to provide accurate throttling and shut off for chemical processing, industrial, and water treatment applications. Weir type design eliminates entrapped fluids in valve. Excellent for handling of liquids with suspended solids, viscous materials and slurries. Premium electric actuator utilizes a multi-turn reversing motor with UL approved, built in thermal overload protection and permanently lubricated gear train. 1/2" NPT conduit outlet. Standard 115 VAC, 60 Hz.



Typical Illustration

## Diaphragm Valve Specifications

Style	Diaphragm • Weir type • fully repairable
Material	PVC, CPVC, UV Stabilized PP
Size Range	1/2" - 8"
Pressure Rating	PVC & CPVC 1/2" - 2" = 235 psi @ 73°F 1/2" - 4" Flanged = 150 psi @ 73°F 6" = 100 psi @ 73°F 8" = 75 psi @ 73°F PP: 1/2" - 4" = 150 psi @ 73°F 6" = 100 psi @ 73°F 8" = 75 psi @ 73°F With PTFE Diaphragm: 1/2" - 4" = 150 psi @ 73°F
Diaphragm	EPDM, FKM, or elastomer backed PTFE
End Connector	PVC & CPVC = True Union socket/threaded, or Spigot Body (1/2" - 2") Flanged Body (1/2" - 8") PP: True Union threaded (1/2" - 2"), Flanged Body (sizes 2-1/2" - 8")

## Standard 2-Position Actuator Specifications

Motor	Multi-turn reversing
Thermal Overload Protection	
Voltage	115 VAC, 60 Hz
Lubrication	Permanent

## Sample Engineering Specification

All electrically actuated diaphragm valves shall be True Union Socket/Thread or Flanged or Spigot type constructed from PVC Type I Cell Classification 12454 or CPVC Type IV Cell Classification 23447 or UV Stabilized PP. All valve diaphragms shall be EPDM or FKM or Hypalon® or elastomer backed PTFE. All True Union valve union nuts shall have Buttress threads. All valve components shall be replaceable. All 1/2" through 2" valves shall be pressure rated to 235 psi, all 2-1/2" through 4" valves, 1/2" - 4" flanged valves and 1/2" - 4" PTFE diaphragm valves to 150 psi, all 6" valves to 100 psi, and all 8" valves to 75 psi for water at 73°F. Electric Actuators shall be factory installed, 115 VAC with thermally protected, reversing motor. Actuator shall be equipped with [selected options list] as manufactured by Spears® Manufacturing Company.

## Special Valve Options & Accessories

- Diaphragm & O-ring Replacement Kits
- Hypalon® (CSM) Diaphragms
- EPDM backed PTFE Diaphragms
- FKM backed PTFE Diaphragms

## Custom Electric Actuation Options & Accessories

- Declutchable Manual Override
  - Auxiliary Limit Switches
  - NEMA 7, 9 & NEMA 4X Enclosures
  - Position Indicator Lights (red/green)
  - Voltage Options: 12 VDC, 24 VDC, 24 VAC, 230 VAC
- (see Accessories & Options section for limitations)
- Custom ID Tags



### Spears® Unitized Pneumatic Actuated Diaphragm Valve Package

Industrial grade Weir-type design, excellent for throttling and use with viscous fluids or slurries.

- Compact, Light Weight Design
- True Union Socket/Thread, SR Thread, or Spigot End Connections
  - sizes 1/2"-2" Pressure Rated to 235 psi @ 73°F (23°C)
- Flanged Ends (& PTFE diaphragms) - sizes 1/2" - 2" Pressure Rated to 150 psi @ 73°F (23°C)
- Corrosion Resistant Plastic Housing
- Stainless Steel Hardware
- 90 psi Operating Pressure
- Linear Action Operation with Preset Stops
- Air-Air, Air-Spring Closed, or Optional Air-Spring Open

**NOTE:** "Socket" valves include standard plastic thread end connectors.



Typical Illustration

### Diaphragm Valve Specifications

Style	Diaphragm • Weir type • fully repairable
Material	PVC, CPVC, PP
Size Range	1/2" - 2"
Pressure Rating	PVC & CPVC 1/2" - 2" = 235 psi @ 73°F Flanged and PTFE Diaphragm 1/2"- 2" = 150 psi @ 73°F PP: 1/2" - 2" = 150 psi @ 73°F
Diaphragm	EPDM, FKM, or elastomer backed PTFE
End Connector	PVC & CPVC = True Union socket/threaded/SR threaded, or Spigot Body (1/2" - 2") Flanged Body (1/2" - 2") PP: True Union SR threaded (1/2" - 2")

### Standard 2-Position Actuator Specifications

Valve Sizes	1/2" -2":
Type	Linear action
Standard Operation	Air-to-Air (double acting), Air-to-Spring Closed or Air-to-Spring Open
Supply Pressure	90 psi
Air Connection	1/8"
Body	Polypropylene
Visual Position Indicator	

### Special Valve Options & Accessories

- Diaphragm & O-ring Replacement Kits
- Hypalon® (CSM) Diaphragms
- EPDM backed PTFE Diaphragms
- FKM backed PTFE Diaphragms

### Custom Pneumatic Actuation Options & Accessories

- Pneumatic & Electro Pneumatic Positioners
- 3 & 4 Way Solenoid Valves
- Customized ID Tags

### Sample Engineering Specification

All pneumatically actuated diaphragm valves shall be True Union Socket/Thread or Flanged or Spigot type constructed from PVC Type I Cell Classification 12454 or CPVC Type IV Cell Classification 23447 or UV Stabilized PP. All valve diaphragms shall be EPDM, FKM or Hypalon® or elastomer backed PTFE. All True Union valve union nuts shall have Buttress threads. All valve components shall be replaceable. All 1/2" through 2" valves shall be pressure rated to 235 psi, 1/2" - 2" flanged valves and 1/2" - 2" PTFE diaphragm valves to 150 psi. Pneumatic Actuators shall be factory installed, linear type with preset stops. Operation shall be Air-to-Air (double acting), Air-to-Spring Closed or Air-to-Spring Open for 90 psi supply pressure range as selected. Actuator shall be equipped with [selected options list], as manufactured by Spears® Manufacturing Company.





## Spears® Diaphragm Valve Premium Pneumatic Actuation Package

This full-featured industrial grade valve is engineered to provide accurate throttling and shut off for chemical processing, industrial, and water treatment applications. Weir type design eliminates entrapped fluids in valve. Excellent for handling of liquids with suspended solids, viscous materials and slurries. Premium pneumatic actuators are Air-to-Air (double acting) or Air-to-Spring Closed (optional spring open) Actuator for 1/2" - 2" valves features a packless/glandless linear piston design and one-piece actuator/bonnet constructed from high integrity PES (Polyethersulphone), chemically resistant to virtually all acids, caustics, and solvents. Actuator for 2-1/2" - 4" valves features a linear diaphragm design and chemical resistant Polyester coated housing.



Typical Illustration

## Diaphragm Valve Specifications

Style	Diaphragm • Weir type • fully repairable
Material	PVC, CPVC, PP
Size Range	1/2" - 6"
Pressure Rating	PVC & CPVC 1/2" - 2" = 235 psi @ 73°F 1/2" - 4" Flanged = 150 psi @ 73°F 6" = 100 psi @ 73°F 8" = 75 psi @ 73°F PP: 1/2" - 4" = 150 psi @ 73°F 6" = 100 psi @ 73°F 8" = 75 psi @ 73°F With PTFE Diaphragm 1/2" - 4" = 150 psi @ 73°F
Diaphragm	EPDM, FKM, or elastomer backed PTFE
End Connector	PVC & CPVC = True Union socket/threaded, or Spigot Body (1/2" - 2") Flanged Body (1/2" - 6") PP: True Union threaded (1/2" - 2"), Flanged Body (2-1/2" - 6")

## Standard 2-Position Actuator Specifications

Valve Sizes	1/2" - 2":
Type	Linear action
Standard Operation	Air-to-Air (double acting) or Air-to-Spring Closed (optional spring open)
Supply Pressure	80 psi
Air Connection	1/8"
Body	PES (Polyethersulphone)
Valve Sizes	2-1/2" - 4":
Type	Linear action
Standard Operation	Air-to-Spring and Air to Air
Standard Operating Pressure	80 psi
Air Connection	1/4" (3" & 4" valves)
Body	Polyester coated

## Special Valve Options & Accessories

- Diaphragm & O-ring Replacement Kits
- Hypalon® (CSM) Diaphragms
- EPDM backed PTFE Diaphragms
- FKM backed PTFE Diaphragms

## Custom Pneumatic Actuation Options & Accessories

- Spring Return Operation (Fail Safe)
- Visual Position Indicator
- Pneumatic & Electro Pneumatic Positioners
- 3 & 4 Way Solenoid Valves
- Micro Limit Switches
- Custom ID Tags

## Sample Engineering Specification

All pneumatically actuated diaphragm valves shall be True Union Socket/Thread or Flanged or Spigot type constructed from PVC Type I Cell Classification 12454 or CPVC Type IV Cell Classification 23447 or UV Stabilized PP. All valve diaphragms shall be EPDM, FKM or Hypalon® or elastomer backed PTFE. All True Union valve union nuts shall have Buttress threads. All valve components shall be replaceable. All 1/2" through 2" valves shall be pressure rated to 235 psi, all 2-1/2" through 4" valves, 1/2" - 4" flanged valves and 1/2" - 4" PTFE diaphragm valves to 150 psi, all 6" valves to 100 psi. Pneumatic Actuators shall be factory installed, linear type with preset stops. Operation shall be Air-to-Air (double acting) or Air-to-Spring Closed (optional spring open) for 80 psi supply pressure range. Actuator shall be equipped with [selected options list], as manufactured by Spears® Manufacturing Company.



## ELECTRIC ACTUATOR OPTIONS & ACCESSORIES

The basic options and accessories listed in this section represent many of the most commonly used for electric actuation, factory configured to order on the actuation package. Contact Spears® for any desired accessories, options, functions, or special controls not listed.

### Overview of Basic Options & Accessories

Options & Accessories	Electro Series Ball Valves	Premium Electric TU Ball Valves	Premium Electric Butterfly Valves	Premium Electric Diaphragm Valves
24 VAC	✓	✓	✓	✓
230 VAC	✓	✓	✓	✓
230 VAC 3-phase, 60Hz	--	✓	✓	✓
230 VAC 3-phase, 50 Hz	--	✓	✓	✓
12 VDC	✓	✓	✓	✓
24 VDC	✓	✓	✓	✓
NEMA 4X, 7, 9 Rating	(4X Standard)	✓	✓	✓
Declutchable Manual Override	--	✓	✓	✓
Duty Cycle Upgrade	✓	✓	✓	✓
Spring Return (Fail Safe)	--	✓	✓	--
Positioner Board (modulating)	--	✓	✓	✓
Transmitter	--	✓	✓	✓
"2-Wire" Control Relay	✓	✓	✓	--
Position Indicator (Visual)	✓	✓	✓	--
LED Indicator Lights	--	✓	✓	✓
Heater & Thermostat	--	✓	✓	✓
Limit Switch Sets	--	✓	✓	✓
Torque Sensor	--	✓	✓	✓
Speed Controller	--	✓	✓	✓
Friction Brake	--	✓	✓	--
ID Tag - SS	✓	✓	✓	✓

*Contact Spears® for any desired accessories, options, functions, or special controls not listed in this guide.*



## Standard (2-position) Actuator Voltage Options

Voltage options are listed for each type with 2-position (open/close) actuation. See Modulating Service Option for variable position actuators and applicable voltages.

### Electro Series Ball Valves (All 1/2" - 2")

Voltage Options
12 VAC
24 VAC
230 VAC
12 VDC
24 VDC
115 VAC

### True Union 2000 Ball Valves

Voltage Options
24 VAC
230 VAC
12 VDC
24 VDC

### Diaphragm Valves

Voltage Options
24 VAC
230 VAC
12 VDC
24 VDC

### Butterfly Valves

Voltage Options
24 VAC
230 VAC
12 VDC
24 VDC

## Enclosure NEMA Rating Options

Standard enclosures are a minimum of NEMA 4. The following NEMA ratings are available for all True Union Ball Valves, Butterfly Valves and Diaphragm Valves (see NEMA Ratings in Terminology & Definitions for additional description detail).

Enclosure Rating	General Description
NEMA 4	Watertight & Dust Tight
NEMA 4X	Watertight & Dust Tight with corrosion resistance
NEMA 7	Explosion Proof (class I, division 1, groups A, B, C, D)
NEMA 9	Explosion Proof (class II, division 1, groups E, F, G)

## Declutchable Manual Override Option

Available for all Premium Electric actuated valves.

Valve Type
True Union 2000 Ball Valve
Butterfly Valve
Diaphragm Valve

Slightly different than straight manual override, *Declutchable* Manual Override disengages the actuator gear train for manual operation of the valve. Valves with this option have a hand wheel mounted on top of the actuator for manual valve operation.

## Duty Cycle Upgrade Option

Upgrades in duty cycles use heavier motors to handle heat build up from extended operation. Contact Spears® for specific Duty Cycle information.

## Spring Return (Fail Safe) Option

An internal spring in the actuator is configured to either open or close upon loss of power supply. Special gear clutch uncouples motor during spring return. Operation can be specified as either fail-open when spring return open is desired or fail-close when spring return close is desired.



# ELECTRIC ACTUATOR OPTIONS & ACCESSORIES



### “2-Wire” Control Relay

Special control switch setup operates the valve through internally mounted control relay. Valve opens when control switch is open and closes when control switch is closed. Uses 4-wire connection with 2 wires to line voltage and 2 wires to SPST control switch. Available either in normally closed or normally open configuration.



### LED Position Indicator Lights

LED (light emitting diode) red/green indicator lights mounted on actuator enclosure to designate open/closed position.



### Positioner Board (Modulating)

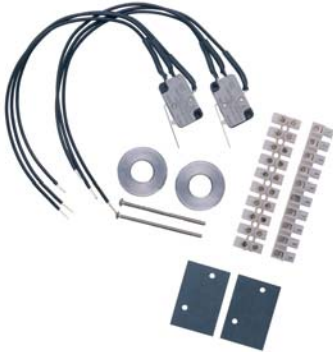
Modulation is used to control or throttle flow in response to an external control signal. An internally mounted, solid state positioner board accurately controls valve position from open to close. Available in the actuator voltages and input signals shown Note: Modulating Service option includes Duty Cycle Upgrade to a minimum of 75%.



### Heater and Thermostat

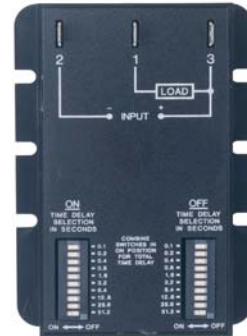
Mounted internally, heats the inside of the enclosure in low temperature environments to prevent condensation and keep internal lubricants fluid. The thermostat activates the heater when the enclosure internal temperature drops below the set point. There are a variety of thermostats available and a set point must be specified at the time of ordering.

Modulating Actuator Voltage	Input Signal
115 VAC	4-20mA, 0 - 5 VDC, 0 - 10 VDC
230 VAC	4-20mA, 0 - 5 VDC, 0 - 10 VDC
24 VAC	4-20mA, 0 - 5 VDC, 0 - 10 VDC
24 VDC	4-20mA, 0 - 5 VDC, 0 - 10 VDC



### Auxiliary Limit Switches (Provided in sets of 2)

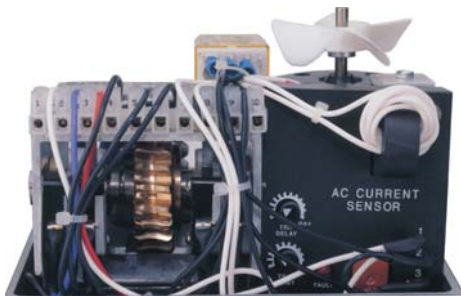
Additional internally mounted single pole double throw limit switch (SPDT) independent from the motor switches. Typically used for indicator lights, auxiliary equipment, etc. Actuation packages accept from 1 to 2 additional sets of auxiliary limit switches as indicated. When ordering replacement sets, specify hole size of cams (either 3/8" or 1/2").



### Speed Controller

Internally mounted relays (not shown) and solid state timer allow variable control of valve cycle time (speed) by selecting combinations of ON time and OFF time options. Rate may be slowed, but cannot exceed the standard cycle time specified for the actuator.

Valve Type	Auxiliary Limit Switch Sets
<b>True Union Ball Valve</b>	
1/2" - 2"	1
2-1/2" - 3"	1
4" - 6"	2
<b>Butterfly Valve</b>	
1-1/2"	1
2" - 10"	2
12"	2
<b>Diaphragm Valve - all Sizes</b>	



### Torque Sensor

Internally mounted sensor is adjustable to specific torque limits to avoid damage to valve in the event of blockage.



## ELECTRIC ACTUATOR OPTIONS & ACCESSORIES



### Transmitter

The Transmitter module is normally used with the 4-20mA Positioner Board and the board's power supply. It can also be used as a stand alone feedback transmitter when no position controller is used, but will require an external power supply for stand alone application. This internally mounted module provides a 4-20mA output signal directly proportional to the Positioner Board feedback potentiometer. This signal can be used by a remote instrument to monitor or display actuator position. Zero and span adjustments allow adjustment of the Transmitter's 4-20mA signal to correspond with the zero and span positions set by the Positioner Board.



### Custom ID Tag

Stainless steel valve/actuator ID Tag imprinted to user specified identification criteria. Each tag is 1/2" x 3" and accommodates up to 3 lines of text, maximum of 12 characters and spaces per line.



### Friction Brake

Internally mounted device which is used to eliminate mechanical "coast" of the actuator motor at the end of its cycle. Brakes are standard on all electrically actuated Butterfly Valves and not applicable to Diaphragm Valves.

# PNEUMATIC ACTUATOR OPTIONS & ACCESSORIES

## For Ball Valves & Butterfly Valves



The basic options and accessories listed in this section represent many of the most commonly used for Pneumatic actuation of Ball Valves and Butterfly Valves (see next section for Pneumatic Diaphragm Valves) factory configured to order on the actuation package. Contact Spears® for any desired accessories, options, functions, or special controls not listed.

### Overview of Basic Options & Accessories Available

Standard Pneumatic Actuator Features	Premium Pneumatic True Union Ball Valves	Premium Pneumatic Butterfly Valves
Spring Return (Fail Safe)	✓	✓
40 or 60 psi Operating Pressure	✓	✓
Declutchable Manual Override	✓	✓
Pneumatic Positioner	✓	✓
Electro-Pneumatic Positioner	✓	✓
Transmitter	✓	✓
Dome Position Indicator	✓	✓
Mechanical Limit Switches	✓	✓
Output Signal Mechanical Limit Switches	✓	✓
Output Signal Proximity Limit Switches	✓	✓
3 & 4-Way Solenoid Valve	✓	✓
Dual Power 3 & 4-Way Solenoid Valve	✓	✓
Stainless Steel 3-Gauge Set	✓	✓
ID Tag - SS	✓	✓

*Contact Spears® for any desired accessories, options, functions,  
or special controls not listed in this guide.*

#### Spring Return (Fail Safe) (Air-to-Open or Air-to-Close) Option

An internal spring in the actuator is configured to either open or close upon loss of air supply. Spring return can be specified as either Air-to-Open (fail-close) when spring return close is desired or Air-to-Close (fail-open) when spring return open is desired.

#### Operating Pressure Option

Standard ball and butterfly valve actuators require an 80 psi supply pressure. With this option, the actuator is configured for lower supply pressures of either 40 psi or 60 psi (must specify).



# PNEUMATIC ACTUATOR OPTIONS & ACCESSORIES

For Ball Valves & Butterfly Valves



### 3 to 15 psi Pneumatic Positioner (for Ball & Butterfly Valves)

Positioner is used to control or throttle flow by modulating the air to the actuator in response to an external 3-15 psi control signal input. Available with NEMA 4 or 4X rated enclosure mounted on top of actuator with flat top green/black indicator or optional high visibility Dome Indicator. Includes pressure gauge set of one (1) input gauge 0-30 psi and two (2) output gauges 0-160 psi. Optional Stainless Steel gauge set available.



### Electro-Pneumatic Positioner 4-20mA, 0-5 VDC, or 0-10 VDC

Positioner is used to control or throttle flow by modulating the air to the actuator in response to an external 4-20 milliamp (current), 0-5 VDC (resistive), or 0-10 VDC (resistive) control signal input which is converted to a proportional 3 - 15 psi pneumatic signal used by the positioner. Available with NEMA 4, 4X, 7 or Intrinsically Safe NEMA 7 rated enclosure mounted on top of actuator with flat top green/black indicator or dome indicator with green/red 180° high visibility. Includes pressure gauge set of one (1) input gauge 0-30 psi and two (2) output gauges 0-160 psi. Optional Stainless Steel gauge set available.



### Dome Indicator

Dome style beacon with high visibility green/red indicator for improved viewing of valve position. Indicator only. Note: Dome indicators may be included with certain selections of positioners or limit switches.



### 3 & 4-Way Solenoid Valves

This combination valve operates either as a 3-way or 4-way pilot valve mounted to the actuator. The 3-way valve is a normally closed poppet design to insure tight shut-off. These valves are designed for use with spring return actuators. The 4-way valve can be used as either a 4-way 2 position design or a 3-way normally closed design merely by rotating a gasket located in the sub-base prior to assembly to the actuator. The 3-way operation routes the exhaust pressure to the spring side of the actuator to prevent corrosion problems within the actuator. An optional speed control can be purchased. Air inlet connection is 1/4" NPT. Thermoplastic composite enclosure is NEMA 4, 4x (standard) or NEMA 4, 4x, 7, 9 combination with 1/2" male conduit connection. Standard 115 VAC with voltage options of 230 VAC, 24 VAC, 12 VDC, and 24 VDC.



# PNEUMATIC ACTUATOR OPTIONS & ACCESSORIES

For Ball Valves & Butterfly Valves



## Dual Power Solenoid Valves

This configuration of 3 & 4-way solenoid valves accepts two separate power sources, one to open and one to close the valve, for use on Air-to-Air (double acting) actuators only.



## Limit Switch with Indicator



## Output Signal Limit Switches

Mechanical SPDT (2) or DPDT (2)  
Proximity SPDT (2) or DPDT (2)

Set of two (2) auxiliary limit switches. Switches deliver a specified output current signal of 4-20mA or resistive signals of 0-5 or 0-10 VDC. Mechanical switches are SPDT or DPDT rated at 10 amp 125/250 VAC. Proximity (non-contact) switches are SPDT or DPDT rated at 1 amp 120 VAC. These limit switches are available with or without 180° visual indicator. Switch enclosure is NEMA 4/4x or NEMA 7/9 rated.



## Stainless Steel Gauge Set

Three (3) gauge set. Stainless steel gauge replacement for use on Pneumatic and Electro-Pneumatic Positioners. Includes one (1) input pressure gauge 0-30 psi, and two (2) output pressure gauges 0-160 psi.



## Custom ID Tag

Stainless steel valve/actuator ID Tag imprinted to user specified identification criteria. Each tag is 1/2" x 3" and accommodates up to 3 lines of text, maximum of 12 characters and spaces per line.



## Transmitter

The Transmitter is an internally mounted module for use in the Positioner. The module is designed to give a 4-20 milliamp linear output signal with a 0-90° Positioner shaft rotation. The unit is environmentally sealed and loop powered. Transmitter is designed for use in General Purpose Locations and is not approved for Hazardous Locations as classified by the NEC.



# PNEUMATIC ACTUATOR OPTIONS & ACCESSORIES For Diaphragm Valves

The basic options and accessories listed in this section represent many of the most commonly used for Pneumatic actuation of Pneumatic Diaphragm Valves (see previous section for Pneumatic Ball Valves and Butterfly Valves) factory configured to order on the actuation package. Contact Spears® for any desired accessories, options, functions, or special controls not listed.

## Overview of Basic Options & Accessories Available

Pneumatic Actuator Features	Premium Pneumatic Diaphragm Valves
Spring Return	✓
80 psi Operating Pressure	✓
Declutchable Manual Override	✓
Pneumatic Positioner	✓
Electro-Pneumatic Positioner	✓
Micro Limit Switch Module	✓
3 & 4-Way Solenoid Valve	✓
Stainless Steel 3-Gauge Set	✓
ID Tag - SS	✓

*Contact Spears® for any desired accessories, options, functions, or special controls not listed in this guide.*

### Spring Return (Fail Safe)

An internal spring in the actuator is configured to either open or close upon loss of air supply. Spring return can be specified as either Air-to-Open when spring return close is desired or Air-to-Close when spring return open is desired.

### Operating Pressure (for Diaphragm Valves)

Spears® Diaphragm Valves use a 80 to 90 psi standard operating pressure. Other optional pressures are available. Specify pressure requirements at time of order.

### 3 to 15 psi Pneumatic Positioner (for Diaphragm Valves)

Positioner is used to control or throttle flow by modulating the air to the actuator in response to an external 3-15 psi control signal input. Available with NEMA 4x enclosure mounted on top of actuator with 180° visual indicator. Positioner can be top or bottom loading, with or without gauges. Gauge set includes: 1 input pressure gauge 0-30 psi and 2 output pressure gauges 0-160 psi. Optional Stainless Steel gauge set available.



## PNEUMATIC ACTUATOR OPTIONS & ACCESSORIES For Diaphragm Valves



### Electro-Pneumatic Positioner (for Diaphragm Valves), not for air-to-air 4 to 20 mA

Positioner is used to control or throttle flow by modulating the air to the actuator in response to an external 4-20 milliamp control signal input which is converted to a proportional 3-15 psi pneumatic signal used by the positioner. Available with NEMA 4x, enclosure mounted on top of actuator with 180° visual indicator. Used with air-to-spring only



### 3-Way Solenoid Valves 4-Way Solenoid Valves (for Diaphragm Valves)

Universal operation design allows pressure to any port. 4-way solenoid valve is used for double acting (air-to-air) actuators. 3-way solenoid valve is used for spring return (fail open/fail close) actuators. Air inlet is 1/4" NPT. Enclosures are molded epoxy NEMA 4, 4x (standard) or NEMA 4/4x/7/9 combination with 1/2" conduit connection and brass body (stainless steel body available by special order). Standard 115 VAC with voltage options of 230 VAC, 24 VAC, 12 VDC, and 24 VDC.



### Micro Limit Switch Module (for Diaphragm Valves) SPDT (2) or DPDT (2)

Module of two (2) auxiliary mechanical limit switches. Switches are SPDT rated at 10 amp 125/250 VAC. Switch module includes 180° visual indicator. Switch enclosure is NEMA 4/4x/7/9 rated.



### Custom ID Tag

Stainless steel valve/actuator ID Tag imprinted to user specified identification criteria. Each tag is 1/2" x 3" and accommodates up to 3 lines of text, maximum of 12 characters and spaces per line.



## ADDITIONAL ACTUATED VALVE CONFIGURATION, OPTIONS & ACCESSORIES NOT SPECIFIED

Spears® can provide virtually any actuation need for Spears® valves. The following actuated valve configurations, options and accessories not currently specified in this manual are a few of those available on a special order basis. **See Appendix B: Premium Actuated Valve Part Number Selection** for configuration and accessory options. Please contact Spears® for additional technical information or other custom actuation needs. Certain special order options and custom Actuation Packages may require extended lead times. Please contact Spears® for details.

### Special Actuated Ball Valves

- Compact 2000 Ball Valves
- Single Entry Ball Valves
- True Union 2000 3-Way Vertical & Horizontal Ball Valves
- Vented Ball Valves

### Special Actuated Butterfly Valves

- Tandem 3-Way - two valves operated from one actuator, both closing or both opening at the same time.
- Tandem Diverting - two valves operated from one actuator, one opening while the other closes.
- “No Seat” actuated Butterfly Valves for duct (damper) applications.
- Polypropylene 30" to 60" Actuated Valves (custom produced)

### Actuated Gate Valves

- PVC & CPVC Construction
- Sizes 1/2" - 4"
- Socket, Threaded, Flanged End Connections

### Special Actuator Options

- Actuators Only
- Actuator Brackets Only
- Actuator Stem Extensions
- Double Powder Coated Electric Enclosures
- Stainless Steel Pneumatic Enclosures
- Electric Spring Return Open or Close with No Override
- Battery Back-up Electric Actuators

### Special Switch Sets & Solenoids

- Single Limit Switch & Bracket Only (no actuator) for manual valves
- Double Limit Switch & Bracket Only (no actuator) for manual valves
- Dual Coil 5-Way Solenoid Valves

### Replacement Parts

Many replacement parts are available for Spears® electric and pneumatic actuators and valves. Contact Spears® for specific parts needed.



The following valve actuation terminology is provided for better understanding and elimination of miscommunications. Terms and definitions are grouped by related topics and listed in alphabetical order.

### GENERAL SYSTEM TERMS

**Ambient Temperature** - The temperature of the air surrounding the actuator. Generally stated as a maximum and minimum for proper actuator operation. Note that ambient temperature range for an actuator may exceed that of a plastic valve and should not be considered to be the same as the service temperature.

**Maximum Line Pressure** - The media pressure against which the valve will have to close.

**Maximum Service Temperature** - Maximum temperature of the media. Service temperature should be considered in selection of the proper thermoplastic valve material for the application.

**Media** - The material flowing through a valve.

**Modulating** - Throttling or regulating the flow through a valve by varying the position between open and closed.

**On-Off Service** - Basic full open or full closed operation to start or stop flow.

**Operating Torque** - Force required to operate a valve, expressed in inch-pounds or foot-pounds.

**Supply Pressure** - Facility air pressure supply required to operate pneumatic actuator.

### ACTUATOR TERMS

**Double Acting** - A Pneumatic actuator which uses air to both open and close the valve. Also referred to as “Air-to-Air” operation.

**Electric Actuator** - An electromechanical device used to actuate (open, close or modulate) a valve. An electric motor and gear train is used to actuate the valve. Numerous application considerations must be made in using an electric actuator. These include, duty cycle, cycle time, supply voltage, operating temperature and enclosure rating (NEMA) for use of electric devices under various environmental conditions.

**Fail-Closed** - Spring return in a pneumatic actuator which closes the valve upon loss of air pressure. Also referred to as “Air-to-Spring Close” or “Spring-to-Close” operation.

**Fail-Open** - Spring return in a pneumatic actuator which opens the valve upon loss of air pressure. Also referred to as “Air-to-Spring Open” or “Spring-to-Open” operation.

**Pneumatic Actuator** - An air operated mechanical device used to actuate (open, close or modulate) a valve. The actuator converts air pressure into mechanical force most commonly using either a piston or diaphragm. The mechanical force output can be either rotational, as in actuation of a ball valve, or linear as commonly used in actuation of a diaphragm valve. Pneumatic actuators are not significantly limited by duty cycles and cycle time (virtually instantaneous) found with electric actuators. However, they may require additional accessories to further control speed of operation and a voltage supply for certain electric signal devices which may be desired.

**Spring Return** - An actuator using a spring to return the valve to either an open or closed position upon loss of power. Spring returns are most commonly used with pneumatic actuators, but can be used on electric actuators where it is necessary for the valve to open or close by design or by system failure (see also Fail-Close and Fail-Open terms).



## Appendix A - Actuation Terminology & Definitions

### ACTUATOR ACCESSORY & RATING TERMS

**Duty Cycle** - The capability of an Electric actuator motor to operate or “cycle” continuously - a 100% Duty Cycle. Ratings less than 100% mean that the actuator motor is capable of intermittent operation, as is the case with most actuation applications. For example, a 25% Duty Cycle means that for each 1-minute of operation, 3-minutes of non-operation is required. Duty cycles greater than 25% are generally needed only when additional work loads are encountered, such as valve modulation or in actuation of larger butterfly valves.

**Limit Switches** - Electrical switches which may be applied to either electric or Pneumatic actuators to supply a signal that the valve cycle has been completed. In Electric actuators, the primary limit switches are used to control the open and closed position of the valve. Auxiliary limit switches may be used to perform other functions such as starting or stopping a pump. Limit switches are most often mechanical and are activated by physical contact with either a lever or plunger. Proximity switches are electrically tripped without physical contact and may be used with certain computer or micro processor controls.

**NEMA Rating** - National Electric Manufacturers Association standard for rating electrical component enclosures. The most commonly used NEMA ratings for electric actuator and electrical accessory enclosures are NEMA 4 and NEMA 4X.

**NEMA 1:** General Purposes - for indoor use without unusual service conditions, primarily to protect components from contact.

**NEMA 2:** Drip proof - for indoor use with degree of protection against limited amounts of falling water or dirt.

**NEMA 3:** Rain tight - for outdoor use with protection from windblown dust, rain and sleet, and undamaged by ice formation.

**NEMA 4:** Watertight and Dust tight - for indoor/outdoor use with a protection from windblown dust, rain or hose directed wash down environments.

**NEMA 4X:** Watertight and Dust tight - same as NEMA 4 with addition of corrosion resistance.

**NEMA 7:** Explosion Proof (class I, division 1, groups A, B, C, D) - designed to contain an internal explosion without causing an external hazard when installed in a designated environment group. Group A= atmospheres containing acetylene; Group B = atmospheres containing hydrogen; Group C = atmospheres containing ethyl-ether vapors, ethylene, or cyclopropane; Group D = atmospheres containing gasoline, hexane, naphtha, benzene, butane, propane, alcohol, acetone, benzol, lacquer, solvent vapors or natural gas.

**NEMA 9:** Explosion Proof (class II, division 1, groups E, F, G) - Dust-ignition-proof enclosures designed to prevent both entrance of dust and external heating capable of igniting dust on the enclosure or in the surrounding atmosphere. Group E = atmospheres containing metal dust including aluminum, magnesium, their commercial alloys, and other metals of similar hazardous characteristics; Group F = atmospheres containing carbon black, coal or coke dust; Group G = atmospheres containing flour, starch, or grain dust.

**Positioner** - Attachment for either electric or Pneumatic actuators which provides automatic modulating control of the valve position from open to closed. Electric positioners work by comparison of 2-currents, one derived from the input signal and one from the actuator. Pneumatic positioners increase, decrease and balance the air supply according to an input signal from an external control source. Input signals are generated by either a 3 to 15 psi pneumatic signal, or a 4 to 20 milliamp electro-pneumatic signal.

**Solenoid Valve** - An electro-magnetically operated valve which enables electrical control of air supply to a pneumatic actuator. Solenoids are wired to a manual switch or any electric controller. Double Acting actuators require a 4-way solenoid, Spring-Return actuators require a 3-way solenoid for proper air control. As electrical devices, solenoid valves are available in various NEMA ratings.

**Transducer** - A device that converts one signal type to another. In actuation controls, the most common use of a transducer is in conversion between electrical signals and pneumatic signals.

# Appendix B - Premium Actuated Valve Part Number Selection



The section is provided for formulation of part numbers on custom actuated valve packages. A 3-step process is used to build custom actuated valve part numbers:

**Step 1** - Select the desired type, style, options and material of valve from appropriate Valve Selection Table. Specify nominal valve size from Size Code available.

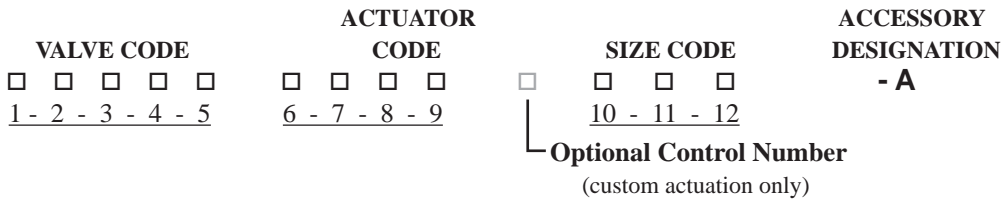
**Step 2** - Select the desired actuator style options from the Actuator Selection Tables

**Step 3** - Select desired actuator accessories (if any) from the Accessories Selection Tables.

**IMPORTANT:** Custom accessories are ordered under a separate part number from the actuated Valve Package. Accessory part numbers are ordered individually and factory assembled with selected Actuated Valve Package.

If any accessories are being ordered, add the suffix, “- A” to the end of the Actuated Valve Package part number. This suffix is added only if an Accessory(s) is being selected for add on to the initial Actuated Valve Package.

## ACTUATED VALVE PACKAGE PART NUMBER POSITIONS



### Step 1: Valve & Size Code Selection

Spears® actuated valve selection table include Ball Valves (Selection Table 1) Butterfly Valves (Selection Table 2), Diaphragm Valves (Selection Table 3) and Gate Valves (Selection Table 3A). Use the table information to complete the Valve Code in the package part number.

**Table 1: BALL VALVES**

(Valve Type - End Connector - O-ring - Special Options - Material – Size Selection)

VALVE CODE	RESERVED FOR ACTUATOR	SIZE CODE
□ □ □ □ □	□ □ □ □ -	□ □ □
1 - 2 - 3 - 4 - 5	6 - 7 - 8 - 9	10 - 11 - 12

<b>Valve Type</b> 0 = Compact Ball P = Compact 2000 1 = True Union Ball 2 = TU 2000 Ind. Ball Z = TU 2000 Std Ball 3 = Utility (Special) S = Single Entry (Special) T = TU 2000 Ind Tandem U = Hor 3-way L Tandem V = Hor 3-way T Tandem W = Ver 3-way L Tandem X = Ver 3-way 2L Tandem Y = Ver 3-way 3L Tandem R = Ver 3-way T Tandem A = Hor 3-way L-port B = Hor 3-Way T-port C = Ver 3-Way L-port D = Ver 3-Way 2L-port E = Ver 3-Way 3L-port F = Ver 3-Way T-port	<b>O-ring</b> 0 = Buna-N 1 = EPDM 2 = FKM 3 = PTFE Encapsulated 4 = Silicone 5 = FKM/ETP 6 = AFLAS® TFE/P (FEPM) 7 = PTFE/FKM	<b>Material</b> 1 = PVC 2 = CPVC 3 = PP (see note 1) 4 = LXT PVC	<b>Size</b> 005 = 1/2" 007 = 3/4" 010 = 1" 012 = 1-1/4" 015 = 1-1/2" 020 = 2" 025 = 2-1/2" 030 = 3" 040 = 4" 060 = 6"
	<b>Special Options</b> 0 = None 1 = Lubricant Free (see note 2) 2 = Vented Ball	<b>End Connector</b> (see note 1) 1 = Socket 2 = Thread 3 = SR Thread 4 = Flanged 5 = BSP Thread 6 = DIN Plain 7 = JIS Plain 8 = Flange CL300 Drilling	<b>Notes:</b> 1 – PP valves available in regular True Union style sizes 1/2" - 4" only, with threaded or SR threaded end connectors only. 1/2" - 2" PVC & CPVC True Union valves ordered as “socket” come with both socket and regular threaded end connectors. 2-1/2" - 6" valves come with socket only.  2 – All Ball Valves are assembled with <u>non-silicone</u> lubricant.  3 – Tandem (Diverging) part number includes two valves operated from one actuator with one opening while the other closes.



# Appendix B - Premium Actuated Valve Part Number Selection

**Table 2: BUTTERFLY VALVES**  
 (Valve Type - Stem - Seat & O-ring - Special Options - Material – Size Selection)

	VALVE CODE	Reserved for Actuator	-	SIZE CODE
	□ □ □ □ □	□ □ □ □		□ □ □
	1 - 2 - 3 - 4 - 5	6 - 7 - 8 - 9		10 - 11 - 12
<b>Valve Type</b>	4 = Std. Butterfly 5 = True Lug Butterfly 6 = Tandem 3-Way (see note 6) 7 = Tandem Diverting (see note 7) 8 = High Purity TFM J = Pool Butterfly - white (see note 8) K = Wafer Butterfly L = Shaved Std. Butterfly	<b>Material</b>  1 = PVC (see note 1) 2 = CPVC 3 = PP (see note 2)	<b>SIZE CODE</b>	<b>Size</b> (see note 5)  015 = 1-1/2" 020 = 2" 025 = 2-1/2" 030 = 3" 040 = 4" 060 = 6" 080 = 8" 100 = 10" 120 = 12" 140 = 14" 160 = 16" 180 = 18" 200 = 20" 240 = 24"
<b>Stem Material</b>	1 = SS 316 2 = PTFE Coated SS 316 3 = Titanium 4 = Hastaloy	<b>Special Options</b> (see note 3)  0 = None 1 = Zinc plated Lugs (for True Lug) 2 = SS 316 Lugs (for True Lug) 3 = Non lubricated 4 = Zinc lug/ non lubricated 5 = SS 316 lug/ non lubricated 6 = No Seat (duct application) 7 = Zinc plated Lug Inserts (for Std. Butterfly; see note 9) 8 = SS Lug Inserts (for Std. Butterfly; see note 9)		
		<b>Seat &amp; O-ring</b> (see note 4)  1 = Buna-N 2 = EPDM 3 = FKM 4 = PTFE Sleeved 5 = TFM 6 = PTFE Sleeved EPDM		

**Notes:**

- 1 – PVC and CPVC valves available through 14" only.
- 2 – All PP and 14" PVC/CPVC valves available in Standard Butterfly style only.
- 3 – Lugs specified with True Lug and Lug Insert styles only.
- 4 – PP valves are standard with EPDM or FKM.
- 5 – Actuated valve sizes 14" and larger are custom produced to order, contact Spears® Technical Services.
- 6 – Tandem 3-Way part number includes two valves operated from one actuator, both closing or both opening at the same time.
- 7 – Tandem Diverting part number includes two valves operated from one actuator with one opening while the other closes.
- 8 – Pool Butterfly Valves available in sizes 1-1/2" to 12" with SS316 Stem, EPDM Seats, PVC White only. No other options are available.
- 9 – Lug Inserts are used when Lug Style valve is ordered for Tandem Diverting valve type.



# Appendix B - Premium Actuated Valve Part Number Selection



**Table 3: DIAPHRAGM VALVES**  
 (Valve Type - End Connector - O-ring - Diaphragm - Material - Size Selection)

VALVE CODE					Reserved for Actuator	-	SIZE CODE
□	□	□	□	□	□	□	□
1	2	3	4	5	6	7	8
10	11	12					
<b>Valve Type</b>					<b>Material</b> (see note 1)		<b>Size</b> (see note 1)
9 = Diaphragm Valve H = Zero Dead Leg					1 = PVC 2 = CPVC 3 = PP 4 = LXT PVC 5 = PVC/Hastaloy-C Bolts 6 = CPVC/Hastaloy-C Bolts 7 = PVC/Titanium Bolts 8 = CPVC/Titanium Bolts		005 = 1/2" 007 = 3/4" 010 = 1" 012 = 1-1/4" 015 = 1-1/2" 020 = 2" 025 = 2-1/2" 030 = 3" 040 = 4" 060 = 6" 080 = 8"
<b>End Connector</b> (see note 1)					<b>Diaphragm</b>		
1 = Socket (True Union) 2 = Thread (True Union) 3 = SR Thread (True Union) 4 = Spigot 5 = Flanged 6 = DIN Plain 7 = JIS 8 = BSP Thread					1 = Buna-N 2 = EPDM 3 = FKM 4 = Hypalon® (CSM) 5 = PTFE w/EPDM 6 = PTFE w/FKM		
					<b>O-ring</b> (see note 2)		
					0 = None 1 = EPDM 2 = FKM 3 = PTFE Encapsulated 7 = PTFE Encapsulated/FKM		

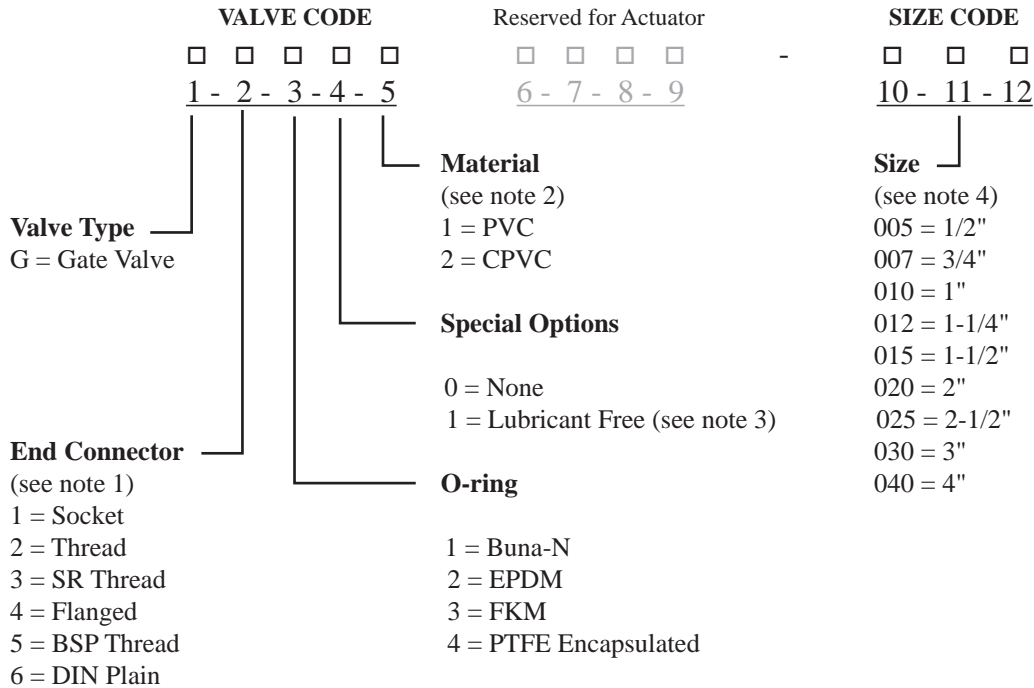
**Notes:**

- 1 – All valves with socket, thread, or SR thread end connectors are True Union style only.
  - Socket end connectors available on PVC and CPVC valve sizes 1/2" - 2" only.
  - Thread and SR thread end connectors available on PVC, CPVC, and PP valve sizes 1/2" - 2" only.
  - DIN, JIS, and BSP end connectors available on PVC and CPVC valve sizes 1/2" - 2" only.
  - Flanged end connectors available on all sizes of PVC and CPVC valves.
  - Flanged end connectors available on PP valve sizes 3" and larger only.
  - Zero Dead Leg valves are Socket Tee x selected End Connector code.
- 2 – O-rings are used on True Union style valves sizes 1/2" - 2" with socket, thread, or SR thread end connectors only. Enter "0" for all other end connectors.



# Appendix B - Premium Actuated Valve Part Number Selection

**Table 3A: GATE VALVES (Special Order Only - Contact Spears® for Availability)**  
**(Valve Type - End Connector - O-ring - Special Options - Material – Size Selection)**



- Notes:
- 1 – SR thread style available on 3" & 4" size only.  
     Din Plain metric available in 20 mm - 63 mm only.
  - 2 – PVC valves have polypropylene gate wedge, CPVC valves have CPVC gate wedge.
  - 3 – Standard valves are assembled with non-silicone lubricant.
  - 4 – Valve size 2-1/2" is 3" valve with 2-1/2" reducer bushing.

# Appendix B - Premium Actuated Valve Part Number Selection



## Step 2: Actuator Code Selection

Spears® actuated valves are available with either electric or pneumatic motors. Actuators are pre matched to each type and size of valve with proper operating torque and cycle time. Additional actuator accessories are selected and are factory installed on the Actuated Valve Package in Step 3 instructions.

Select the applicable options from either the Electric Actuators (Selection Table 4) or Pneumatic Actuators (Selection Table 5) and enter the designated **Actuator Code** portion of the package part number.

### Table 4: ELECTRIC ACTUATORS

(Voltage - Enclosure Rating - Manual Override - Duty Cycle)

<b>ACTUATOR CODE</b>		<b>Optional Control Number</b> (not used on basic packages)
□ □ □ □ □	□ □ □ □	□ - □ □ □
<u>1 - 2 - 3 - 4 - 5</u>	<u>6 - 7 - 8 - 9</u>	<u>10 - 11 - 12</u>
Reserved for Valve		Reserved for Size
<p><b>Voltage</b> (see note 1)</p> <p>A = 115 VAC 60 Hz                  B = 230 VAC 60 Hz                  C = 230 VAC 3-phase 50 Hz (EU)                  D = 230 VAC 3-phase 60 Hz                  E = 24 VAC                  F = 12 VDC                  G = 24 VDC                  L = 460 VAC 3-Phase 50 Hz (EU)                  M = 460 VAC 3-Phase 60 Hz                  R = 415 VAC 3-Phase 50 Hz (EU)                  S = 230 VAC 50 Hz (EU)                  T = 575 VAC 3-Phase 60Hz (EU)                  U = 115 VAC 50 Hz (EU)                  X = Single Indicator Switch Only (see note 2)                  Y = Double Indicator Switch Only (see note 2)                  Z = Actuator Bracket Only (see note 2)</p> <p>1 = 480 VAC 50 Hz                  2 = 480 VAC 60 Hz                  3 = 480 VAC 3-Phase 50 Hz                  4 = 480 VAC 3-Phase 60 Hz                  5 = 380 VAC 3-Phase 60 Hz</p> <p><b>Enclosure</b></p> <p>1 = NEMA 4    4 = NEMA 9                  2 = NEMA 4x    5 = NEMA 4 Double Powder Coated                  3 = NEMA 7    6 = NEMA 4x Double Powder Coated</p>	<p><b>Duty Cycle</b> (see note 3)</p> <p>1 = 25%                      7 = 40%                  2 = 75%                      8 = 60%                  3 = 100%                      9 = 20%                  4 = 50%                  5 = 70% (custom only)                  6 = 80% (custom only)</p> <p><b>Manual Override</b> (see note 4)</p> <p>0 = None                  1 = Basic Manual Override                  2 = Declutchable Manual Override                  3 = Spring Return Open with Declutchable Manual Override (see note 5)                  4 = Spring Return Close with Declutchable Manual Override (see note 5)                  5 = Spring Return Open no override (see note 5)                  6 = Spring Return Close no override (see note 5)                  7 = RCE Battery Backup Actuator                  8 = Spring Return Open with Basic Manual Override (see note 5)                  9 = Spring Return Close with Basic Manual Override (see note 5)</p>	
	<p>7 = NEMA 7 Double Powder Coated    9 = AWWA                  8 = NEMA 9 Double Powder Coated    B = NEMA 6                  A = NEMA 7 Modulation enclosure    C = NEMA 6P, prolonged                  (for 1/2"-2" modulated Ball Butterfly)    submersion at limited depth.                  D = NEMA 8</p>	

**Notes:**

- 1 – 460 VAC available on Butterfly Valves only.
- 2 – Bracket & Indicator Switch Only part numbers do not allow any other options (must be Z000, Y000, or X000)
- 3 – **Standard Duty Cycles** vary according to valve type and size as indicated in chart below. **Standard** Duty Cycles can be *upgraded* only. Note: 50% duty cycle available on non-standard, special order actuators only.

Valve Type	Size Range	25% Duty Cycle	75% Duty Cycle	100% Duty Cycle
Ball Valve	1/2" - 2"		X	
Ball Valve	2-1/2" - 4"	X		
Butterfly Valve	1-1/2" - 10"	X		
Butterfly Valve	12" - 24"			X
Diaphragm Valve	1/2" - 8"	X		

- 4 – Basic Manual Override is standard on Ball Valve sizes 1/2" – 3" with Declutchable Manual Override as an option. Declutchable Manual Override is standard on Ball Valve sizes 4" & larger and all Butterfly Valves. Standard Gate Valve and Diaphragm Valve packages have no override with Declutchable Manual Override as an option. Spring return not available on electric Diaphragm valves.
- 5 – Electric Spring Return Actuators come standard with no type of override. Need to verify if either Declutchable Manual Override or Basic Manual Overrides are available in all applications.



## Appendix B - Premium Actuated Valve Part Number Selection

### Actuator Only Part Numbers

Individual Premium Electric actuators can be ordered for specific Spears® valve types and sizes. Includes actuator and mounting hardware for specified valve type and size. To specify valve type for actuator only, enter the first digit valve type code followed by zeros (“0”) for remaining 4-digits of the valve code section of the part number plus the applicable 3-digit valve size code (see valve selection Tables 1, 2, or 3). Complete the actuator code selection as described in this section. See Step 3 for any desired actuator accessories.

**Example:** A 115 VAC electric actuator only with NEMA 4 enclosure, basic manual override and 75% duty cycle for 2" standard True Union Ball Valve would have the following part number: 10000A112-020

### Optional Control Numbers (custom use) – Electric Actuators

1 = AUMA SA07.5-19A/ AUMA-115 Actuator w/remote pilot station

2 = Rotork AQM105 Actuator

3 = RCE15-5-4-1-15 Remote Control Station w/24 VAC Battery Back-up

4 = RCE10-4-1-5-15 Remote Control Station w/24 VDC Battery Back-up

5 = Oversize Housing

6 = AUMA SG05.1 Actuator

7 = AUMA SG05.1-2 Actuator

B = AUMA SG05.1-3 460VAC 3-phase Actuator, indicator lights, 4-20mA positioner, NEMA 4x

8 = AUMA SA07.1-26B Actuator

H = AUMA SA07.5-38A 115 VAC Single Phase Actuator, (2) Gear Train Limit Switches, Open / Close Torque Switches, Space Heater, Plug & Socket type terminals, Side Mounted hand wheel, Nema 4x enclosure, Reversing starters, Power Supply board, Interface Board - 110 VAC, 3 Push buttons O/S/C, Selector Switch L/O/R, 3 Lights open / fault / close

9 = Actuator Upsize (one size to accommodate accessories)

A = EIM Controls P2N1-3 (460 VA 3-phase Actuator)

C = SURE 25-10, 115 VAC Actuator, Spring return close, w/ modulating 4-20 mA positioner board

D = AUMA SAR07.5-13B/GS63.3, 5000 in.-lb., 460 VAC 3-Phase 60HZ Actuator, indicator lights, 4-20mA positioner, NEMA4x.

E = AUMA SG07.1, 2640 in.-lb., 120VAC Actuator, NEMA 4x/6

F = RCE-40-410-4-115, 115 VAC actuator w/ battery backup

G = Valvcon # IW150HS2DNZN115A. 1-1/2", w/ heater/thermostat, 2 aux limit switches, Device Net card, declutchable manual override, 115VAC

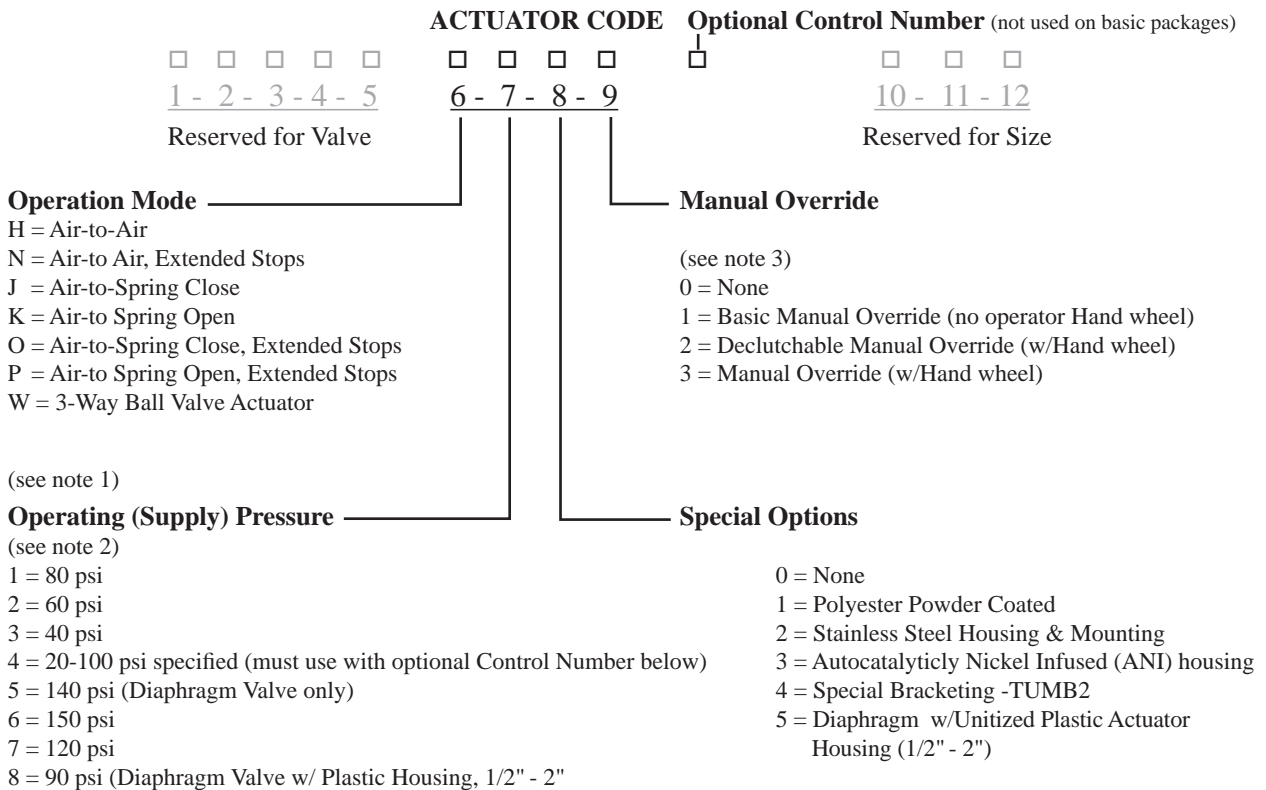
J = RCE 15-5-4-15, 150 in. lb., 115VAC, 5 sec. cycle, 100% duty rating, NEMA 4x/7/9 enclosure, w/battery backup

X = Actuator assembled with Double Containment Valve & Valve Box (for use in “actuator only” part number)

Note: When control number is used on a package with accessories, the dash ( - ) is dropped before the “A” due to part number limitations.



**Table 5: PNEUMATIC ACTUATOR**  
(Operation - Operating Pressure - Manual Override)



**Notes:**

- 1 – Bracket only part numbers do not allow any other options (must be Z000); available for Ball Valves only.
- 2 – Operating pressures (1-2-3) apply to Ball valve actuators.
- 3 – Basic Manual Override is standard on all Ball Valves and Butterfly Valves with Declutchable Manual Override as an option. Standard Diaphragm Valve package has no override. No manual override option sizes 1/2" - 2". Declutchable Manual Override are an option on valve sizes 2-1/2" & larger that are equipped with Air-to-Air and Air-to-Spring Closed or Open.

**Actuator Only Part Numbers**

Individual Premium Pneumatic actuators can be ordered for specific Spears® valve types and sizes. Includes actuator and mounting hardware for specified valve type and size. To specify valve type for actuator only, enter the first digit valve type code followed by zeros (“0”) for remaining 4-digits of the valve code section of the part number plus the applicable 3-digit valve size code (see valve selection Tables 1, 2, or 3). Complete the actuator code selection as described in this section. See Step 3 for any desired actuator accessories.

**Example:** An 80 psi, air-to-air pneumatic actuator only with declutchable manual override for 2" standard Butterfly Valve would have the following part number: 40000H102-020.

**Optional Control Numbers (custom use) – Pneumatic Actuators**

- 1 = Downsized actuator for vacuum application.
- 2 = Habonin brand pneumatic actuator
- 3 = Customer Requested Upsized Actuator (one size larger than standard)
- 4 = Saunders 602-1/2 actuator
- X = Actuator assembled with Double Containment Valve & Valve Box (for use in “actuator only” part number)

Control Numbers for user specified pressure. Must be used with Operating (Supply) Pressure code 7, #4:

- |            |            |             |
|------------|------------|-------------|
| A = 20 psi | D = 50 psi | G = 80 psi  |
| B = 30 psi | E = 60 psi | H = 90 psi  |
| C = 40 psi | F = 70 psi | J = 100 psi |

Note: When control number is used on a package with accessories, the dash (-) is dropped before the “A” due to part number limitations.



# Appendix B - Premium Actuated Valve Part Number Selection

### Step 3: Actuator Accessory Selection

Premium actuator accessories are available for both Electric actuators (Selection Table 7) and Pneumatic actuators (Selection Table 8 and 9). Actuator accessory options are selected and ordered separately as individual Accessory part numbers for the actuated valve. If accessory options are to be ordered, be sure the suffix, “-A”, was added to the end of the selected Actuated Valve Package part number configured in Step 1 & 2 to designate that the accessories are assembled with the valve package.

**A separate part number is used for *each* accessory ordered.** Select the desired Accessory Part Number from the selection tables for each accessory.

**Example:** An electric actuated valve is desired with a heater and thermostat, an SPDT limit switch set and a 0-5 VDC signal positioner board. From Table 7, the following Accessory part numbers should be ordered with the actuated valve package:

- Heater & Thermostat = **A-H1**
- Limit Switch Set = **A-LS1**
- Positioner Board = **A-PB2**

**Contact Spears® for any desired accessories or functions not specified in the Accessory Selection Tables**

**Selection Table 7: Premium Electric Actuator Accessories**

Accessory	Description	Accessory Part Number
Heater	Heater & Thermostat - On @ 41°F, Off @ 60.8°F	<b>A-H1</b>
	Heater & Thermostat - On @ 62.6°F, Off @ 80.6°F	<b>A-H2</b>
	Heater & Thermostat - On @ 69.8°F, Off @ 89.6°F	<b>A-H3</b>
	120/220 VAC - Self Regulating	<b>A-H4</b>
Auxiliary Limit Switches	2-SPDT Limit Switch Set (1/2" shaft cam)	<b>A-LS1</b>
	2-SPDT Limit Switch Set (3/8" shaft cam <sup>3</sup> )	<b>A-LS2</b>
	2-SPDT Limit Switch Set for Electric Spring Return	<b>A-LS3</b>
Position Indicators	LED Indicator Lights	<b>A-P2</b>
Modulating Positioner Boards	115 VAC 4-20mA	<b>A-PB1</b>
	115 VAC 0-5 VDC	<b>A-PB2</b>
	115 VAC 0-10 VDC	<b>A-PB3</b>
	230 VAC 4-20mA	<b>A-PB4</b>
	230 VAC 0-5 VDC	<b>A-PB5</b>
	230 VAC 0-10 VDC	<b>A-PB6</b>
	24 VAC 4-20mA	<b>A-PB7</b>
	24 VAC 0-5 VDC	<b>A-PB8</b>
	24 VAC 0-10 VDC	<b>A-PB9</b>
	24 VDC 4-20mA	<b>A-PB10</b>
	24 VDC 0-5 VDC	<b>A-PB11</b>
	24 VDC 0-10 VDC	<b>A-PB12</b>
		115 VAC 4-20mA For Electric Spring Return Actuator
Transmitter	4-20mA	<b>A-T1</b>
Torque Sensor	Adjustable Electronic Torque Sensor	<b>A-TS1</b>
Speed Controller	Variable Speed Controller	<b>A-SC1</b>
2"-Wire Control <sup>1</sup> (operates as solenoid valve)	Control Relay Switch Setup 115 VAC - Normally Closed	<b>A-CR1</b>
	Control Relay Switch Setup 115 VAC - Normally Open	<b>A-CR2</b>
	Control Relay Switch Setup 24 VAC - Normally Closed	<b>A-CR3</b>
	Control Relay Switch Setup 24 VAC - Normally Open	<b>A-CR4</b>
	Control Relay Switch Setup 230 VAC - Normally Closed	<b>A-CR5</b>
	Control Relay Switch Setup 230 VAC - Normally Open	<b>A-CR6</b>
	Control Relay Switch Setup 12 VDC - Normally Closed	<b>A-CR7</b>
	Control Relay Switch Setup 12 VDC - Normally Open	<b>A-CR8</b>
	Control Relay Switch Setup 12 VDC - Normally Closed	<b>A-CR9</b>
	Control Relay Switch Setup 12 VDC - Normally Open	<b>A-CR10</b>

**Notes:**  
 1 – “2-Wire” Control is not applicable to Diaphragm Valves  
 2 – Friction Brake is standard on Butterfly Valves and not applicable to Diaphragm Valves  
 3 – The A-LS2 is used on 1/2" - 2" basic Ball Valve packages; A-LS1 used on all others.

(CONTINUED NEXT PAGE)

# Appendix B - Premium Actuated Valve Part Number Selection



**(Selection Table 7: Premium Electric Actuator Accessories - Continued)**

Accessory	Description	Accessory Part Number
Friction Brake <sup>2</sup>	Mechanical Brake	A-FB1
Lockout Switch	Power disconnect switch activated when n manual override is in use	A-LK1
Remote/Off/Local Control Switch	Remote/off/local, open/close momentary contact push buttons, red (close) and green (open) position indicating lights	A-RS1
Special Hardware	Titanium Bolts	A-B1
ID Tag	Type 316 Stainless Steel ID Tag 1/2" x 3" (3-lines, 12-characters & spaces)	TAG3-015
Stem Extension	Ball Valve Stem Extension <sup>4</sup>	A-BVSE-XXX-000
	True Union 2000 Ball Valve Stem Extension	A-BVSE2-XXX-000
	Butterfly Valve Stem Extension	A-BFSE-XXX-000
	Diaphragm Valve Stem Extension	A-DESE-XXX-000

**Note:**

4 – Stem Extension Part Numbers: Enter size code for “xxx” in part number. Replace “000” with desired length code in part number; length is from top of valve to bottom of actuator.

**Selection Table 8: Ball Valve & Butterfly Valve Premium Pneumatic Actuator Accessories**

Accessory	Description	Accessory Part Number
PNEUMATIC POSITIONERS	3-15 psi NEMA 4 Flat-Top Indicator	A-PP1
	3-15 psi NEMA 4 Dome Indicator	A-PP2
	3-15 psi NEMA 4 Dome Indicator, Integrated 2-SPDT Mech. Switches	A-PP3
	3-15 psi NEMA 4x Dome Indicator, 2-SPDT Switches, 4-20 Transmitter	A-PP4
ELECTRO PNEUMATIC POSITIONERS WITH INDICATOR	4-20mA NEMA 4 Flat-Top Indicator	A-EP1
	4-20mA NEMA 4 Dome Indicator	A-EP2
	4-20mA NEMA 4 Dome Indicator, Integrated 2-SPDT Mech. Switches	A-EP3
	4-20mA NEMA 7 Flat-Top Indicator	A-EP4
	4-20mA Intrinsically Safe (CSA/UL) Flat-Top Indicator	A-EP5
	4-20mA NEMA 7 Dome Indicator	A-EP6
	4-20mA Intrinsically Safe w/2-SPST Proximity Switches	A-EP22
SOLENOID VALVES	3 & 4-way 115 VAC NEMA 4/4x	A-SV1
	3 & 4-way 230 VAC NEMA 4/4x	A-SV2
	3 & 4-way 24 VAC NEMA 4/4x	A-SV3
	3 & 4-way 12 VDC NEMA 4/4x	A-SV4
	3 & 4-way 24 VDC NEMA 4/4x	A-SV5
	3 & 4-way 115 VAC 7/9	A-SV6
	3 & 4-way 230 VAC 7/9	A-SV7
	3 & 4-way 24 VAC 7/9	A-SV8
	3 & 4-way 12 VDC 7/9	A-SV9
	3 & 4-way 24 VDC 7/9	A-SV10
	Dual Coil 3 & 4-way 115 VAC NEMA 4/4x	A-SV11
	Dual Coil 3 & 4-way 230 VAC NEMA 4/4x	A-SV12
	Dual Coil 3 & 4-way 24 VAC NEMA 4/4x	A-SV13
	Dual Coil 3 & 4-way 12 VDC NEMA 4/4x	A-SV14
	Dual Coil 3 & 4-way 24 VDC NEMA 4/4x	A-SV15
	Dual Coil 3 & 4-way 115 VAC NEMA 7/9	A-SV16
	Dual Coil 3 & 4-way 230 VAC NEMA 7/9	A-SV17
	Dual Coil 3 & 4-way 24 VAC NEMA 7/9	A-SV18
	Dual Coil 3 & 4-way 12 VDC NEMA 7/9	A-SV19
	Dual Coil 3 & 4-way 24 VDC NEMA 7/9	A-SV20
	Stainless Steel 3 & 4-way 115 VAC NEMA 4/4x	A-SV21
	3-Way 24 VDC Hi Temperature (Class H) NEMA 4x	A-SV22
3 & 4-way 230 VAC NEMA 4/4x 1/2" NPT Din Connector	A-SV23	

**Note:** Pneumatic and Electro-Pneumatic positioners include brass gauges: 1 input gauge @ 0-30 psi and 2 output gauges @ 0-160 psi. Stainless steel gauges may be ordered separately.

(CONTINUED NEXT PAGE)



## Appendix B - Premium Actuated Valve Part Number Selection

**(Table 8: Ball Valve & Butterfly Valve Premium Pneumatic Actuator Accessories - Continued)**

Accessory	Description	Accessory Part Number
LIMIT SWITCH & TRANSMITTER COMBINATION	4-20mA      2-SPDT      NEMA 4/4x/7/9	A-LS20
	4-20mA      2-SPDT      NEMA 4/4x/7/9 w/ Visual Indicator	A-LS21
	4-20mA      2-DPDT      NEMA 4/4x/7/9	A-LS22
	4-20mA      2-DPDT      NEMA 4/4x/7/9 w/ Visual Indicator	A-LS23
	4-20mA      2-Proximity      NEMA 4/4x/7/9	A-LS24
	4-20mA      2-Proximity      NEMA 4/4x/7/9 w/ Visual Indicator	A-LS25
LIMIT SWITCHES	2-SPDT      NEMA 4/4x Flat Top	A-LS40
	2-SPDT      NEMA 4/4x w/ Visual Indicator (requires user supplied intrinsic barrier)	A-LS41
	2-SPDT      NEMA 4/4x w/ Green/Red Dome Indicator	A-LS41D
	2-SPDT      NEMA 4/4x w/ Low Profile Indicator	A-LS41L
	2-DPDT      NEMA 4/4x	A-LS42
	2-DPDT      NEMA 4/4x w/ Visual Indicator	A-LS43
	2-Proximity      NEMA 4/4x Flat Top	A-LS44
	2-Proximity      NEMA 4/4x w/Low Profile Indicator (source power requires intrinsic safety barrier or amplifier)	A-LS44L
	2-Proximity      NEMA 4/4x w/ Visual Indicator	A-LS45
	2-Proximity      NEMA 7/9 Flat Top	A-LS46
	2-Proximity      NEMA 7/9 w/ Visual Indicator	A-LS47
	2-Proximity      NEMA 7/9 w/ Low Profile Indicator	A-LS47L
	2-SPDT      NEMA 4/4x/7/9 Flat Top	A-LS48
	2-SPDT      NEMA 4/4x/7/9 w/ Visual Indicator	A-LS49
	2-DPDT      NEMA 4/4x/7/9 Flat Top	A-LS50
2-DPDT      NEMA 4/4x/7/9 w/ Visual Indicator	A-LS51	
4-SPDT      NEMA 4/4x w/180°Indicator	A-LS52	
INDICATORS	Dome Indicator	A-V2
TRANSMITTER	4-20mA Output Transmitter	A-PT1
PRESSURE GAUGE SET	Stainless steel case, 3-gauge set for use with positioners: 1 - input pressure gauge 0-30 psi, 2 output gauges 0-160 psi	A-G1
	Plastic case, 3-gauge set for use with positioners: 1 - input pressure gauge 0-30 psi, 2 output gauges 0-160 psi	A-G2
AIR MUFFLERS	Standard Sintered Bronze, 40 Micron 1/8" NPT	A-M18
	Standard Sintered Bronze, 40 Micron 1/4" NPT	A-M14
	Speed Control Muffler (Adjustable Air Flow) 1/8" NPT	A-M2V18
	Speed Control Muffler (Adjustable Air Flow) 1/4" NPT	A-M2V14
ID TAG	Type 316 Stainless Steel ID Tag 1/2" x 3" (3-lines, 12-characters & spaces)	TAG3-015
Stem Extensions	Ball Valve Stem Extension <sup>1</sup>	A-BVSE-xxx-000
	True Union 2000 Ball Valve Stem Extension <sup>1</sup>	A-BVSE2-xxx-000
	Butterfly Valve Stem Extension <sup>1</sup>	A-BFSE-xxx-000

**Notes:**

1 – Stem Extension Part Numbers: Enter size code for “xxx” in part number. Replace “000” with the desired length code in part number; length is from top of valve to bottom of actuator.



# Appendix B - Premium Actuated Valve Part Number Selection



**Table 9: Diaphragm Valve Premium Pneumatic Actuator Accessories**

Accessory	Description				Accessory Part Number
PNEUMATIC POSITIONERS	3-15 psi	NEMA 4x	w/Visual Indicator	Top Loading (no gauge)	A-DPP1
	3-15 psi	NEMA 4 x	w/Visual Indicator	Top Loading w/gauges (3)	A-DPP2
	3-15 psi	NEMA 4 x	w/Visual Indicator	Bottom Loading (no gauge)	A-DPP3
	3-15 psi	NEMA 4 x	w/Visual Indicator	Bottom Loading w/gauges (3)	A-DPP4
ELECTRO PNEUMATIC POSITIONERS	4-20 mA	(3-15 psi) NEMA 4 x	w/Visual Indicator	(up to 2")	A-DEP1
	4-20 mA	(3-15 psi) NEMA 4 x	w/Visual Indicator w/SS Gauges	(up to 2")	A-DEP2
	4-20 mA	(3-15 psi) NEMA 4 x	w/Visual Indicator	(2-1/2" & up)	A-DEP3
	4-20 mA	(3-15 psi) NEMA 4 x	w/Visual Indicator w/SS Gauges	(2-1/2" & up)	A-DEP4
3-WAY SOLENOID VALVES	115 VAC	NEMA 4/4x			A-DSV1
	230 VAC	NEMA 4/4x			A-DSV2
	24 VAC	NEMA 4/4x			A-DSV3
	12 VDC	NEMA 4/4x			A-DSV4
	24 VDC	NEMA 4/4x			A-DSV5
	115 VAC	NEMA 7/9			A-DSV6
	230 VAC	NEMA 7/9			A-DSV7
	24 VAC	NEMA 7/9			A-DSV8
	12 VDC	NEMA 7/9			A-DSV9
	24 VDC	NEMA 7/9			A-DSV10
4-WAY SOLENOID VALVES	115 VAC	NEMA 4/4x			A-DSV11
	230 VAC	NEMA 4/4x			A-DSV12
	24 VAC	NEMA 4/4x			A-DSV13
	12 VDC	NEMA 4/4x			A-DSV14
	24 VDC	NEMA 4/4x			A-DSV15
	115 VAC	NEMA 7/9			A-DSV16
	230 VAC	NEMA 7/9			A-DSV17
	24 VAC	NEMA 7/9			A-DSV18
	12 VDC	NEMA 7/9			A-DSV19
	24 VDC	NEMA 7/9			A-DSV20
MICRO <sup>2</sup> LIMIT SWITCHES	2-SPDT	NEMA 4	w/180° Visual Indicator		A-DLS20
	2-SPDT	NEMA 7/9	w/180° Visual Indicator		A-DLS25
PROXIMITY LIMIT SWITCHES	2-SPDT	NEMA 4/4X			A-DLS23
LIMIT SWITCHES <sup>3</sup>	2-SPDT	NEMA 4			A-DLS24
SPEED CONTROLLER	Variable Speed Controller				A-DPSC1
ID TAG	Type 316 Stainless Steel ID Tag 1/2" x 3" (3-lines, 12-characters & spaces)				TAG3-015
Stem Extensions	Diaphragm Valve Stem Extension <sup>1</sup>				A-DPSE-xxx-000
HANDWHEEL OVERRIDE	Handwheel override for 2-1/2" to 6" Linear Diaphragm Actuators				A-DHW2

**Notes:** 1 – Stem Extension Part Numbers: Enter size code for “xxx” in part number. Replace “000” with the desired length code in part number; length is from top of valve to bottom of actuator.

2 – Micro Limit Switches used on valve sizes 1/2" through 2".

3 – Limit Switches are used on valve sizes 2-1/2" & Larger



# Appendix C - Ball Valve Actuation Questionnaire Checklist

Return Fax To Tech Services: (818) 364-6945

**Contact Name:** \_\_\_\_\_ **Date:** \_\_\_\_\_  
**Business Name:** \_\_\_\_\_  
**City:** \_\_\_\_\_ **State:** \_\_\_\_\_ **Country:** \_\_\_\_\_  
**Phone:** \_\_\_\_\_ **Fax:** \_\_\_\_\_ **E-mail:** \_\_\_\_\_  
**Project Name:** \_\_\_\_\_

<b>Ball Valves:</b> System Media Pressure (Required) psi _____ kPa _____ Bar _____ Nominal Size in _____ mm _____ cm _____ <b>Valve Quantity Each</b> _____	
<b>Ball Valve Type:</b> True Union <u>Industrial</u> <input type="checkbox"/> Three Way Horizontal <input type="checkbox"/> (See 3-way orientation box below) True Union <u>Standard</u> <input type="checkbox"/> Three Way Vertical <input type="checkbox"/> (See 3-way orientation box below) Compact <input type="checkbox"/> Tandem Three Way <input type="checkbox"/> True Union Tee Style <input type="checkbox"/> Tandem 3-Way Orientation Document Required Other Valve Type <input type="checkbox"/> _____	
<b>Body Material:</b> PVC <input type="checkbox"/> EPDM <input type="checkbox"/> CPVC <input type="checkbox"/> Viton® <input type="checkbox"/> Low-Extractable PVC <input type="checkbox"/> Other <input type="checkbox"/> (If Other Explain) _____	
<b>O-ring Seals:</b> EPDM <input type="checkbox"/> Viton® <input type="checkbox"/> Other <input type="checkbox"/> (If Other Explain) _____	
<b>End Connector:</b> Socket <input type="checkbox"/> Flange <input type="checkbox"/> Threaded <input type="checkbox"/> Spigot <input type="checkbox"/> SR Threaded <input type="checkbox"/> <div style="border: 1px solid black; padding: 2px; display: inline-block;">           Metric <input type="checkbox"/>            DIN <input type="checkbox"/>            JIS <input type="checkbox"/>            BSP (Thread) <input type="checkbox"/> </div>	
<div style="display: flex; justify-content: space-between;"> <div style="width: 45%;"> <b>Vertical 3-Way Orientation</b>  <input type="checkbox"/> Single L Port    <input type="checkbox"/> Triple L Port  <input type="checkbox"/> Double L Port    <input type="checkbox"/> T Port         </div> <div style="width: 45%;"> <b>Horizontal 3-Way Orientation</b>  <input type="checkbox"/> L Port    <input type="checkbox"/> T Port         </div> </div>	
<b>Pneumatic</b> <input type="checkbox"/> <b>Not all combinations may be available.</b> <b>FailSafe Type</b> - (Position to which valve cycles upon air loss) <input type="checkbox"/> Double Acting (No FailSafe. Stays in last activated position) <input type="checkbox"/> Spring Return - Close (FailSafe in closed position upon air loss) <input type="checkbox"/> Spring Return - Open (FailSafe in open position upon air loss) <input type="checkbox"/> Other: _____ <b>Operating Air Pressure (psi)</b> - (Compressed air supply required to operate actuator) <input type="checkbox"/> 80-150 <input type="checkbox"/> Other: _____ <b>Override Type</b> - (Override used to cycle valve upon air loss) <input type="checkbox"/> Basic <input type="checkbox"/> Declutchable <input type="checkbox"/> Other: _____ <b>Aux. Limit Switches</b> - (Additional mechanical switches to operate external lights, alarms etc. (set of 2)) <input type="checkbox"/> SPDT- Mechanical <input type="checkbox"/> SPDT- Proximity <input type="checkbox"/> DPDT - Mechanical Voltage Signal Type Specify Voltage: _____ <b>Visual Indicator</b> - (Provides local visual valve position indication) <input type="checkbox"/> Low Profile <input type="checkbox"/> Dome <input type="checkbox"/> No Indicator <b>Positioner Type</b> - (Positioner accepts an input signal from PLC to control valve cycle). <input type="checkbox"/> <b>Pneumatic Positioner</b> (Air supply required to operate valve) Signal Pressure - (Air pressure required to position the valve) <input type="checkbox"/> 3-15 psi <input type="checkbox"/> Other: _____ <input type="checkbox"/> <b>Electro-Pneumatic Positioner</b> (Air and voltage supply required to operate) Signal Voltage Input <input type="checkbox"/> 4-20mA <input type="checkbox"/> 0-10 VDC <input type="checkbox"/> Other: _____ <input type="checkbox"/> <b>With Transmitter</b> - (Sends output signal to PLC to provide valve position) Transmitter Output <input type="checkbox"/> 4-20mA <input type="checkbox"/> 0-10 VDC <input type="checkbox"/> Other: _____ <b>NEMA Rating</b> - (Enclosure rating indicates level of ingress protection from fluids, solids and gases) <input type="checkbox"/> 4 <input type="checkbox"/> 4x <input type="checkbox"/> Other: _____	
<b>Electric</b> <input type="checkbox"/> <b>Not all combinations may be available.</b> <input type="checkbox"/> Basic Two Position (90 Degree Travel Standard) <input type="checkbox"/> 3 Position 90 <input type="checkbox"/> 180 <input type="checkbox"/> <b>FailSafe Position</b> (if required) <input type="checkbox"/> Fail Open - FailSafe in open position upon power loss <input type="checkbox"/> Fail Close - FailSafe in closed position upon power loss <div style="border: 1px solid black; padding: 2px; display: inline-block;"> <b>Note:</b> On "Fail Safe" Options Two Positions ONLY Override Not Recommended.         </div> <b>Voltage Supply Power:</b> <input type="checkbox"/> 115 VAC <input type="checkbox"/> 230 VAC <input type="checkbox"/> Other: _____ <b>Frequency</b> <input type="checkbox"/> 50 Hertz <input type="checkbox"/> 60 Hertz <b>Phase</b> <input type="checkbox"/> Single <input type="checkbox"/> Three <b>Override Type</b> - (Override used to cycle valve upon power loss) <input type="checkbox"/> Basic <input type="checkbox"/> Declutchable <input type="checkbox"/> Other: _____ <b>Duty Cycle</b> (Amount of work valve can accomplish before requiring rest) <input type="checkbox"/> 25% <input type="checkbox"/> 75% <input type="checkbox"/> Other/Min. Requirement: _____ <b>NEMA Rating</b> - (Enclosure rating indicates level of ingress protection from fluids and solids) <input type="checkbox"/> 4 <input type="checkbox"/> 4x <input type="checkbox"/> Other: _____ <b>Positioner Type</b> - (Positioner accepts an input signal from PLC to control valve cycle) <input type="checkbox"/> <b>Positioner with Transmitter</b> Signal Input <input type="checkbox"/> 4-20mA <input type="checkbox"/> 0-10 VDC <input type="checkbox"/> Other: _____ <input type="checkbox"/> <b>Transmitter</b> - (Sends output signal to PLC to provide valve position) Signal Output <input type="checkbox"/> 4-20mA <input type="checkbox"/> 0-10 VDC <input type="checkbox"/> Other: _____ <input type="checkbox"/> <b>Positioner - NO Transmitter</b> Signal Input <input type="checkbox"/> 4-20mA <input type="checkbox"/> 0-10 VDC <input type="checkbox"/> Other: _____ <b>Auxiliary Limit Switches</b> (Additional mechanical switches to operate external lights, alarms etc.) <input type="checkbox"/> 2 <input type="checkbox"/> 4 (Set of 2 each) <b>Standard Accessories</b> - All options not available in all actuator combinations <input type="checkbox"/> Torque Sensor <input type="checkbox"/> Friction Brake <input type="checkbox"/> Battery Backup <input type="checkbox"/> LED Indicating Lights (red /green) <input type="checkbox"/> Speed Control <input type="checkbox"/> 2 Wire Control Relay <input type="checkbox"/> Heater & Thermostat <input type="checkbox"/> [On @ 41F] [Off @ 60.8F] <input type="checkbox"/> [On @ 69.8F] [Off @ 89.6F] <input type="checkbox"/> [On @ 62.6F] [Off @ 80.6F] <input type="checkbox"/> <b>Other Options:</b> _____	
<b>Solenoid Valve</b> - (Regulates actuator intake/exhaust air supply) <input type="checkbox"/> 3 & 4 Way <input type="checkbox"/> Dual Coil (Double Acting Actuators only) <input type="checkbox"/> Other: _____ <b>Solenoid Valve Voltage</b> <input type="checkbox"/> 115 VAC <input type="checkbox"/> 230 VAC <input type="checkbox"/> Other: _____ <b>NEMA Rating</b> - (Enclosure rating indicates level of ingress protection from fluids and solids) <input type="checkbox"/> 4 <input type="checkbox"/> 4x <input type="checkbox"/> Other: _____ <input type="checkbox"/> <b>Other Options:</b> _____	

# Appendix C - Butterfly Valve Actuation Questionnaire Checklist

Return Fax To Tech Services: (818) 364-6945



**Contact Name:** \_\_\_\_\_ **Date:** \_\_\_\_\_  
**Business Name:** \_\_\_\_\_  
**City:** \_\_\_\_\_ **State:** \_\_\_\_\_ **Country:** \_\_\_\_\_  
**Phone:** \_\_\_\_\_ **Fax:** \_\_\_\_\_ **E-mail:** \_\_\_\_\_  
**Project Name:** \_\_\_\_\_

<b>Butterfly Valves:</b>	<b>System Media Pressure (Required)</b> psi _____ kPa _____ Bar _____ <b>Nominal Size</b> in _____ mm _____ cm _____	<b>Valve Quantity Each</b>	
<b>Butterfly Valve Type :</b> Standard <input type="checkbox"/> True Lug <input type="checkbox"/> Pool Valve <input type="checkbox"/> Wafer <input type="checkbox"/> Other Valve Type <input type="checkbox"/> _____ Tandem Diverting <input type="checkbox"/> Tandem Three Way <input type="checkbox"/> _____ (Tandem 3-Way Orientation Document Required)			
<b>Body Material :</b> PVC <input type="checkbox"/> CPVC <input type="checkbox"/> Polypropylene <input type="checkbox"/>			
<b>O-ring Seals :</b> Buna-N <input type="checkbox"/> EPDM <input type="checkbox"/> Viton® <input type="checkbox"/> Other <input type="checkbox"/> _____ (If Other Explain)			
<b>Lug Materials :</b> SS316 <input type="checkbox"/> Zinc <input type="checkbox"/>			
<input type="checkbox"/> Other Information: _____			

**Pneumatic**  **Not all combinations may be available.**

**FailSafe Type** - (Position to which valve cycles upon air loss)  
 Double Acting (No FailSafe. Stays in last activated position)  
 Spring Return - Close (FailSafe in closed position upon air loss)  
 Spring Return - Open (FailSafe in open position upon air loss)  
 Other: \_\_\_\_\_

**Operating Air Pressure (psi)** - (Compressed air supply required to operate actuator)  
 80-150  Other: \_\_\_\_\_

**Override Type** - (Override used to cycle valve upon air loss)  
 Basic  Declutchable  Other: \_\_\_\_\_

**Aux. Limit Switches** - (Additional mechanical switches to operate external lights, alarms etc. (set of 2))  
 SPDT - Mechanical  SPDT - Proximity  DPDT - Mechanical  
 Voltage Signal Type Specify Voltage: \_\_\_\_\_

**Visual Indicator** - (Provides local visual valve position indication)  
 Low Profile  Dome

**Positioner Type** - (Positioner accepts an input signal from PLC to control valve cycle).  
 **Pneumatic Positioner** (Air supply required to operate valve)  
 Signal Pressure - (Air pressure required to position the valve)  
 3-15 psi  Other: \_\_\_\_\_  
 **Electro-Pneumatic Positioner** (Air and voltage supply required to operate)  
 Signal Voltage Input  4-20mA  0-10 VDC  Other: \_\_\_\_\_  
 With Transmitter - (Sends output signal to PLC to provide valve position)  
 Transmitter Output  4-20mA  0-10 VDC  Other: \_\_\_\_\_  
**NEMA Rating** - (Enclosure rating indicates level of ingress protection from fluids, solids and gases)  
 4  4x  Other: \_\_\_\_\_

**Solenoid Valve** - (Regulates actuator intake/exhaust air supply)  
 3 & 4 Way  Dual Coil (Double Acting Actuators only)  Other: \_\_\_\_\_

**Solenoid Valve Voltage**  
 115 VAC  230 VAC  Other: \_\_\_\_\_

**NEMA Rating** - (Enclosure rating indicates level of ingress protection from fluids and solids)  
 4  4x  Other: \_\_\_\_\_

**Other Options:** \_\_\_\_\_

**Electric**  **Not all combinations may be available.**

Basic Two Position (90 Degree Travel Standard)

**FailSafe Position** (if required)  
 Fail Open - Open (FailSafe in open position upon power loss)  
 Fail Close - Close (FailSafe in closed position upon power loss)

**Voltage Supply Power:**  
 115 VAC  230 VAC  Other: \_\_\_\_\_

**Frequency**  50 Hertz  60 Hertz

**Phase**  Single  Three

**Override Type** - (Override used to cycle valve upon power loss )  
 Basic  Declutchable  Other: \_\_\_\_\_

**Duty Cycle** (Amount of work valve can accomplish before requiring rest)  
 25%  75%  Other/Min. Requirement: \_\_\_\_\_

**NEMA Rating** - (Enclosure rating indicates level of ingress protection from fluids and solids)  
 4  4x  Other: \_\_\_\_\_

**Positioner Type** - (Positioner accepts an input signal from PLC to control valve cycle)  
 **Positioner with Transmitter**  
 Signal Input  4-20mA  0-10 VDC  Other: \_\_\_\_\_  
**Transmitter** - (Sends output signal to PLC to provide valve position)  
 Signal Output  4-20mA  0-10 VDC  Other: \_\_\_\_\_  
 **Positioner - NO Transmitter**  
 Signal Input  4-20mA  0-10 VDC  Other: \_\_\_\_\_

**Auxiliary Limit Switches** (Additional mechanical switches to operate external lights, alarms etc.)  
 2  4 (Set of 2 each)

**Standard Accessories - All options not available in all actuator combinations**  
 Torque Sensor  Torque Sensor  
 Battery Backup  LED Indicating Lights (red / green)  
 Speed Control  2 Wire Control Relay  
 Heater & Thermostat  [On @ 41F] [Off @ 60.8F]  [On @ 69.8F] [Off @ 89.6F]  
 [On @ 62.6F] [Off @ 80.6F]

**Other Options:** \_\_\_\_\_

Rev. A 2010



**Appendix C - Diaphragm Valve Actuation Questionnaire Checklist**  
Return Fax To Tech Services: (818) 364-6945

Contact Name: \_\_\_\_\_ Date: \_\_\_\_\_  
 Business Name: \_\_\_\_\_  
 City: \_\_\_\_\_ State: \_\_\_\_\_ Country: \_\_\_\_\_  
 Phone: \_\_\_\_\_ Fax: \_\_\_\_\_ E-mail: \_\_\_\_\_  
 Project Name: \_\_\_\_\_

<p><b>Diaphragm Valves: System Media Pressure (Required)</b>    psi _____    kPa _____    Bar _____</p> <p><b>Nominal Size</b>    in _____    mm _____    cm _____</p> <p><b>Diaphragm Valve Type:</b></p> <p>EPDM <input type="checkbox"/>        Viton® <input type="checkbox"/>        PTFE/Viton® <input type="checkbox"/>        PTFE/EPDM <input type="checkbox"/>        Other Valve Type <input type="checkbox"/> _____</p> <p><b>Body Material:</b></p> <p>PVC <input type="checkbox"/>        CPVC <input type="checkbox"/>        Low-Extractable PVC <input type="checkbox"/>        Polypropylene <input type="checkbox"/></p> <p><b>End Connector O-rings 1/2" - 2":</b></p> <p>EPDM <input type="checkbox"/>        Viton® <input type="checkbox"/>        PTFE/Viton® <input type="checkbox"/>        PTFE/EPDM <input type="checkbox"/>        Other <input type="checkbox"/> _____        (If Other Explain) _____</p> <p><input type="checkbox"/> Other information: _____</p>	<p style="text-align: right;"><b>Valve Quantity Each</b></p> <p>_____</p>
<p style="text-align: center;"><b>Not all combinations may be available.</b></p> <p><b>Unitized Pneumatic</b> <input type="checkbox"/>  <b>Pneumatic</b> <input type="checkbox"/></p> <p><b>FailSafe Type</b> - (Position to which valve cycles upon air loss)</p> <p><input type="checkbox"/> Double Acting (No FailSafe. Stays in last activated position)  <input type="checkbox"/> Spring Return - Close (FailSafe in <u>closed position</u> upon air loss)  <input type="checkbox"/> Spring Return - Open (FailSafe in <u>open position</u> upon air loss)  <input type="checkbox"/> Other: _____</p> <p><b>Operating Air Pressure (psi)</b> - (Compressed air supply required to operate actuator)  <input type="checkbox"/> 80-116    <input type="checkbox"/> Other: _____</p> <p><b>Override Type</b> - (Override used to cycle valve upon air loss. Not available in sizes 1/2" - 2")  <input type="checkbox"/> Basic    <input type="checkbox"/> Declutchable    <input type="checkbox"/> Other: _____</p> <p><b>Aux. Limit Switches</b> - (Additional mechanical switches to operate external lights, alarms etc. (set of 2))  <input type="checkbox"/> SPDT- Mechanical    <input type="checkbox"/> SPDT - Proximity    <input type="checkbox"/> DPDT - Mechanical</p> <p>Voltage Signal Type:    Specify Voltage: _____</p> <p><b>Visual Indicator</b> - (Provides local visual valve position indication)  <input type="checkbox"/> Low Profile    <input type="checkbox"/> Dome</p> <p><b>Positioner Type</b> - (Positioner accepts an input signal from PLC to control valve cycle).  <input type="checkbox"/> <b>Pneumatic Positioner</b> (Air supply required to operate valve)        Signal Pressure - (Air pressure required to position the valve)  <input type="checkbox"/> 3-15 psi    <input type="checkbox"/> Other: _____  <input type="checkbox"/> <b>Electro-Pneumatic Positioner</b> (Air and voltage supply required to operate)  <b>Input</b>    <input type="checkbox"/> 4-20mA    <input type="checkbox"/> 0-10 VDC    <input type="checkbox"/> Other: _____  <input type="checkbox"/> <b>With Transmitter</b> - (Sends output signal to PLC to provide valve position)        Transmitter Output    <input type="checkbox"/> 4-20mA    <input type="checkbox"/> 0-10 VDC    <input type="checkbox"/> Other: _____</p> <p><b>NEMA Rating</b> - (Enclosure rating indicates level of housing ingress protection from fluids and solids)  <input type="checkbox"/> 4    <input type="checkbox"/> 4x    <input type="checkbox"/> Other: _____</p> <p><b>Solenoid Valve</b> - (Regulates actuator intake/exhaust air supply)  <input type="checkbox"/> 3 way (Air-to-Spring)    <input type="checkbox"/> 4 way (Double Acting Actuators only)    <input type="checkbox"/> Other: _____</p> <p><b>Solenoid Valve Voltage</b>  <input type="checkbox"/> 115 VAC    <input type="checkbox"/> 230 VAC    <input type="checkbox"/> Other: _____</p> <p><b>NEMA Rating</b> - (Enclosure rating indicates level of ingress protection from fluids, solids and gases)  <input type="checkbox"/> 4    <input type="checkbox"/> 4x    <input type="checkbox"/> Other: _____</p> <p><input type="checkbox"/> <b>Other Options:</b></p> <p>_____</p>	<p style="text-align: center;"><b>Not all combinations may be available.</b></p> <p><b>Electric Multi Turn</b> <input type="checkbox"/></p> <p><b>Voltage Supply Power:</b>  <input type="checkbox"/> 115 VAC    <input type="checkbox"/> 230 VAC    <input type="checkbox"/> Other: _____</p> <p><b>Frequency</b>    <input type="checkbox"/> 50 Hertz    <input type="checkbox"/> 60 Hertz</p> <p><b>Phase</b>    <input type="checkbox"/> Single    <input type="checkbox"/> Three</p> <p><b>Override Type</b> - (Override used to cycle valve upon power loss)  <input type="checkbox"/> Basic    <input type="checkbox"/> Declutchable    <input type="checkbox"/> Other: _____</p> <p><b>Duty Cycle</b> (Amount of work valve can accomplish before requiring rest)  <input type="checkbox"/> 25%    <input type="checkbox"/> 75%    <input type="checkbox"/> Other: _____</p> <p><b>NEMA Rating</b> - (Enclosure rating indicates level of ingress protection from fluids and solids)  <input type="checkbox"/> 4    <input type="checkbox"/> 4x    <input type="checkbox"/> Other: _____</p> <p><b>Positioner Type</b> - (Positioner accepts an input signal from PLC to control valve cycle)  <input type="checkbox"/> <b>Positioner with Transmitter</b>        Signal Input    <input type="checkbox"/> 4-20mA    <input type="checkbox"/> 0-10 VDC    <input type="checkbox"/> Other: _____  <b>Transmitter</b> - (Sends output signal to PLC to provide valve position)        Signal Output    <input type="checkbox"/> 4-20mA    <input type="checkbox"/> 0-10 VDC    <input type="checkbox"/> Other: _____  <input type="checkbox"/> <b>Positioner - NO Transmitter</b>        Signal Input    <input type="checkbox"/> 4-20mA    <input type="checkbox"/> 0-10 VDC    <input type="checkbox"/> Other: _____</p> <p><b>Auxiliary Limit Switches</b> (Additional mechanical switches to operate external lights, alarms etc.)  <input type="checkbox"/> 2    <input type="checkbox"/> 4    (Set of 2 each)</p> <p><b>Standard Accessories</b> - All options not available in all actuator combinations</p> <p><input type="checkbox"/> Torque Sensor  <input type="checkbox"/> Battery Backup    <input type="checkbox"/> LED Indicating Lights (red /green)  <input type="checkbox"/> Speed Control    <input type="checkbox"/> 2 Wire Control Relay  <input type="checkbox"/> Heater &amp; Thermostat    <input type="checkbox"/> [On @ 41F] [Off @ 60.8F]    <input type="checkbox"/> [On @ 69.8F] [Off @ 89.6F]  <input type="checkbox"/> [On @ 62.6F] [Off @ 80.6F]</p> <p><input type="checkbox"/> <b>Other Options:</b></p> <p>_____</p>

# NOTES

# NOTES

# NOTES

# NOTES



# NOTES

# NOTES

## LIMITED LIFETIME WARRANTY



Except as otherwise mandated by law or herein provided, Spears® Manufacturing Company (“Company”) warrants Standard Catalog Products (“Products”) which have been directly manufactured by them to be free from defects in material and workmanship for as long as the original intended end user of the Products (“End User”) retains ownership and possession of the Products and complies with this Warranty (“Warranty Period”). Each other person or entity acquiring or employing the Products, including buyers, contractors and installers (“Buyer”) and End Users (“Buyer/End User”) agrees that this Warranty shall be effective only during the Warranty Period so long as the Products are used solely for the normal purposes for which they are intended and in conformance with industry established standards, engineering, installation, operating, and maintenance specifications, recommendations and instructions including explicit instructions by the Company; the Products are properly installed, operated and used, and have not been modified; and all the other terms of this Warranty are complied with. Any violation thereof shall void this Warranty and relieve Company from all obligations arising from this Warranty and the Products.

Upon receipt or discovery of any Products that appear questionable or defective each Buyer/End User shall promptly inspect and return any such Product to the Company at 15853 Olden Street, Sylmar, California 91342, accompanied by a letter stating the nature of any problems. If the Products are determined by Company to be defective in materials or workmanship directly provided by Company, Company, at its sole option, may either repair or replace the defective Products, or reimburse applicable Buyer/End User for the cost of such Products. The applicable Buyer/End User shall bear all applicable shipping costs. THIS SHALL BE BUYERS/END USERS’ SOLE REMEDY. EACH BUYER/END USER AGREES THAT COMPANY WILL NOT BE RESPONSIBLE FOR ANY OTHER OBLIGATIONS RELATING TO THE PRODUCTS, INCLUDING ANY OTHER MATERIALS OR LABOR COSTS, LOSS OF USE OR ANY OTHER ITEM OR FOR ANY DELAYS IN COMPLYING WITH THIS WARRANTY BEYOND COMPANY’S REASONABLE CONTROL.

COMPANY SHALL NOT BE LIABLE FOR, DOES NOT ASSUME, AND EXPRESSLY DISCLAIMS, ANY LIABILITY, RESPONSIBILITY AND DAMAGES: DUE TO ANY BUYER/END USER’S FAILURE TO COMPLY WITH THIS WARRANTY, INCLUDING IMPROPER INSTALLATION, USE OR OPERATION; USE WITH PRODUCTS FROM OTHER MANUFACTURERS THAT DO NOT MEET ASTM OR OTHER APPLICABLE PRODUCT STANDARDS; IMPROPER CONTROL OF SYSTEM HYDRAULICS, IMPROPER WINTERIZATION PROCEDURES, IMPROPER VOLTAGE SUPPLY, CONTACT WITH INCOMPATIBLE MATERIALS OR CHEMICALS, EXCAVATION/DIGGING, EXCESSIVE WEIGHT, AND VANDALISM; DUE TO REASONABLE WEAR AND TEAR AND DUE TO ANY ACTS OF NATURE, INCLUDING LIGHTNING, EARTHQUAKES, GROUND MOVEMENT, FROST HEAVE, OR FLOODS.

COMPANY EXTENDS ONLY THIS WARRANTY AND EXPLICITLY DISCLAIMS ALL OTHER WARRANTIES, WHETHER IMPLIED OR OTHERWISE EXPRESSED, WHETHER ORAL, STATUTORY OR OTHERWISE, INCLUDING ANY IMPLIED WARRANTIES OR AFFIRMATIONS FOR SUITABILITY, MERCHANTABILITY OR FITNESS FOR A PARTICULAR PURPOSE. NO AFFIRMATION BY COMPANY OR ANY OF ITS REPRESENTATIVES, BY WORDS, CONDUCT OR OTHERWISE, SHALL CONSTITUTE A WARRANTY. THIS WARRANTY MAY NOT BE TRANSFERRED, EXTENDED, ALTERED OR OTHERWISE MODIFIED IN ANY MANNER, EXCEPT BY WRITTEN AGREEMENT SIGNED BY COMPANY.

BY ITS ACCEPTANCE OF THE PRODUCTS, EACH BUYER/END USER EXPRESSLY WAIVES ALL OTHER LIABILITY OR OBLIGATION OF ANY KIND OR CHARACTER OF COMPANY, INCLUDING LIABILITY PREDICATED UPON CONTRACT, TORT, STRICT LIABILITY OR OTHER LEGAL OR EQUITABLE GROUNDS, AND ALL, IF ANY, DAMAGES AND LOSSES AS A RESULT THEREOF, INCLUDING ALL, IF ANY, COMPENSATORY, GENERAL, SPECIAL, CONSEQUENTIAL, INCIDENTAL, OR PUNITIVE DAMAGES. WITH RESPECT TO SUCH WAIVERS, EACH BUYER/END USER EXPLICITLY WAIVES CALIFORNIA CIVIL CODE §1542 WHICH STATES “A GENERAL RELEASE DOES NOT EXTEND TO CLAIMS WHICH THE CREDITOR DOES NOT KNOW OR SUSPECT TO EXIST IN HIS FAVOR AT THE TIME OF EXECUTING THIS RELEASE, WHICH IF KNOWN BY HIM MUST HAVE MATERIALLY ADVERSELY AFFECTED HIS SETTLEMENT WITH DEBTOR” AND ALL OTHER SIMILAR STATUTORY, COMMON AND CASE LAW RIGHTS, DEFENSES AND LIMITATIONS.

Having previously independently inspected the Products, or a sample, as fully as desired, or having the opportunity to and having not done so, upon acceptance of delivery of the Products, and except as otherwise herein explicitly provided, each Buyer/End User by acceptance or use of the Products accepts them in their “AS IS” and “WITH ALL FAULTS” condition without any other warranty, expressed, implied or otherwise, and accepts and assumes the entire risk and cost of all servicing, remediation and consequences thereof. This Warranty shall be governed by California law and any unenforceable provisions severed without affecting the remaining provisions. As used herein, “including” includes “without limitation.”

# Watch for NEW PRODUCT SUPPLEMENTS from Spears® Innovation and Technology



## SPEARS® MANUFACTURING COMPANY • CORPORATE OFFICE

15853 Olden St., Sylmar, CA 91342 • PO Box 9203, Sylmar, CA 91392  
(818) 364-1611 • www.spearsmfg.com



### PACIFIC SOUTHWEST

15860 Olden St.  
Sylmar (Los Angeles), CA 91342  
(818) 364-1611 • (800) 862-1499  
Fax (818) 367-3014

### ROCKY MOUNTAIN

4880 Florence St.  
Denver, CO 80238  
(303) 371-9430 • (800) 777-4154  
Fax (303) 375-9546

### UTAH

5395 West 1520 South  
Salt Lake City, UT 84104  
(303) 371-9430 • (800) 777-4154  
Fax (303) 375-9546

### SOUTHEAST

4205 Newpoint Pl., Suite 100  
Lawrenceville (Atlanta), GA 30043  
(678) 985-1263 • (800) 662-6326  
Fax (678) 985-5642

### MIDWEST

1 Gateway Ct., Suite A  
Bolingbrook (Chicago), IL 60440  
(630) 759-7529 • (800) 662-6330  
Fax (630) 759-7515

### NORTHWEST

4103 C St. NE Suite 200  
Auburn (Seattle), WA 98002  
(253) 939-4433 • (800) 347-7327  
Fax (253) 939-7557

### SOUTH CENTRAL

1000 Lakeside Parkway  
Flower Mound, TX 75028  
(469) 528-3000 • (800) 441-1437  
Fax (469) 528-3001

### NORTHEAST

590 Industrial Dr., Suite 100  
Lewisberry (Harrisburg), PA 17339-9532  
(717) 938-8844 • (800) 233-0275  
Fax (717) 938-6547

### FLORIDA

9563 Parksouth Court  
Orlando, FL 32837  
(407) 843-1960 • (800) 327-6390  
Fax (407) 425-3563

### INTERNATIONAL SALES

15853 Olden St.  
Sylmar (Los Angeles), CA 91342  
(818) 364-1611 • Fax (818) 898-3774

Authorized Distributor