

## Icon™ Shower Head

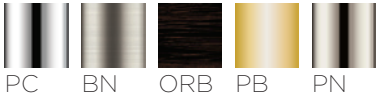
### MODELS:

- S-2251: 2.5 GPM (9.5 L/min) flow rate
- S-2251-E2: 2.0 (7.6 L/min) flow rate
- S-2251-E175: 1.75 GPM (6.6 L/min) flow rate

### FEATURES:

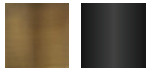
- 8 plungers, 64 sprays, 3 spray patterns
- Patented Anystream® plungers resist scale build-up
- Spray adjusting handle
- Solid brass construction
- 1/2" -14 NPTF female inlet
- Corrosion resistant finishes

### STOCK FINISHES:



PC BN ORB PB PN

### SPECIALTY FINISHES:



BBZ MB

### OPTIONS/ADD-ONS:

- -BPT : 1/2" British pipe thread inlet

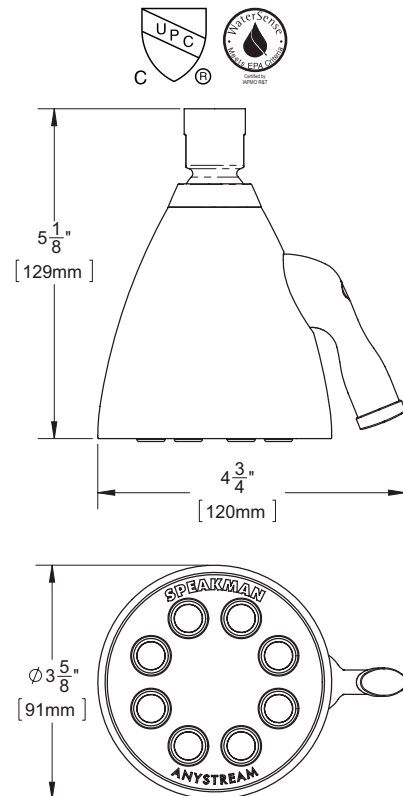
### STANDARDS:

- ASME A112.18.1/CSA B125.1 certified
- CEC (CA Energy Commission) certified, 1.75 GPM only
- WaterSense certified, 2.0 & 1.75 GPM only

### WARRANTY:

Visit [www.speakman.com](http://www.speakman.com) for full product warranty information

- Limited Lifetime Warranty (consumer)
- 1 Year Limited Warranty (commercial)



All dimensions are in inches (millimeters) unless otherwise specified and are subject to change without notice.

Architect/Engineer Approval Space:

SPEAKMAN  
400 ANCHOR MILL ROAD  
NEW CASTLE, DE 19720

P: 800-537-2107  
F: 800-977-2747  
W: WWW.SPEAKMAN.COM  
R: 01-APRIL 2018