

### ► Code Number

1001020

### ► Description

Complete Vitreous China Hybrid Urinal with automatic drain rinse.

### ► Flush Cycle

Waterfree operation

### ► Specifications

- Urinal Assembly
- Complete mounting kit included
- Jetrinse™ Assembly

Patented housing and drain line rinsing

Automatic activation injects 1 gallon of water through housing and drain line every 72 hours to prevent struvite build-up and clogs

IR switch for manual rinse activation

Long life lithium battery provides at least 8 years of service

- Cartridge Assembly\*

Enhance patented design maximizes operational life, prevents accidental sealant loss and virtually eliminates odor

Biodegradable sealant liquid

Vandal resistant locking design

20% less plastic than previous designs

Provides average of 7,000 uses that saves up to 40,000 gallons of water each year

\* Replacement cartridges sold separately

### ► Features

- Patented drain rinsing assembly

Minimizes cleaning effort

Virtually eliminates odor

- Touch-free hygienic operation
- Earns maximum LEED credits
- Up to 5 times cleaner than conventional flush urinals
- Best in class odor control



**IMPORTANT-Do not install on copper DWV due to copper's susceptibility to corrosion.**

### ► Compliance & Certifications

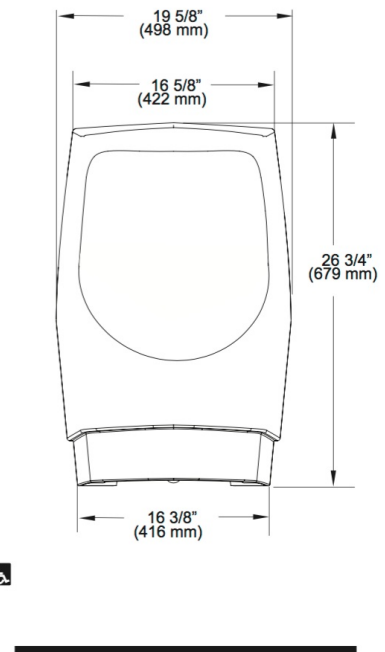
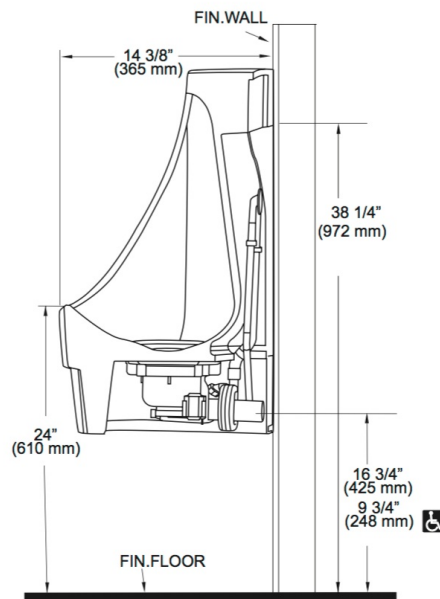
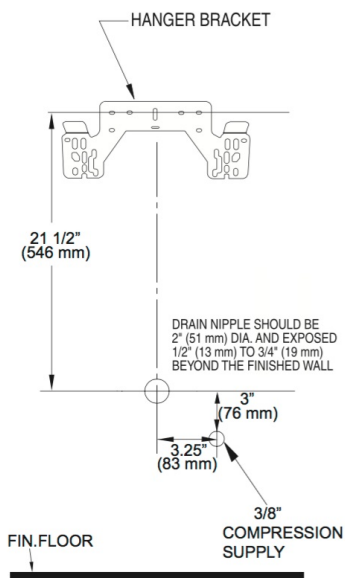
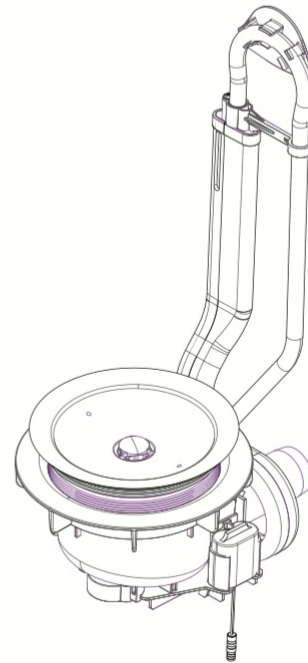


This space for Architect/Engineer Approval

Featuring



### Housing and Jetrinse™ Assembly



SIDE VIEW

FRONT VIEW

#### ROUGH-IN AND BRACKET LOCATION

NOTE: All vitreous china dimensions shown in these drawings are nominal. Dimensions can vary within the tolerances established in the governing ASME A112.19.2/CSA B45.1 standard. Please take this into consideration when planning rough-in and plumbing layouts.