

GENERAL INFORMATION:

SHAFT RUNOUT: .001[.03] T.I.R. PER INCH LENGTH OF EXTENSION

BEARINGS: BALL

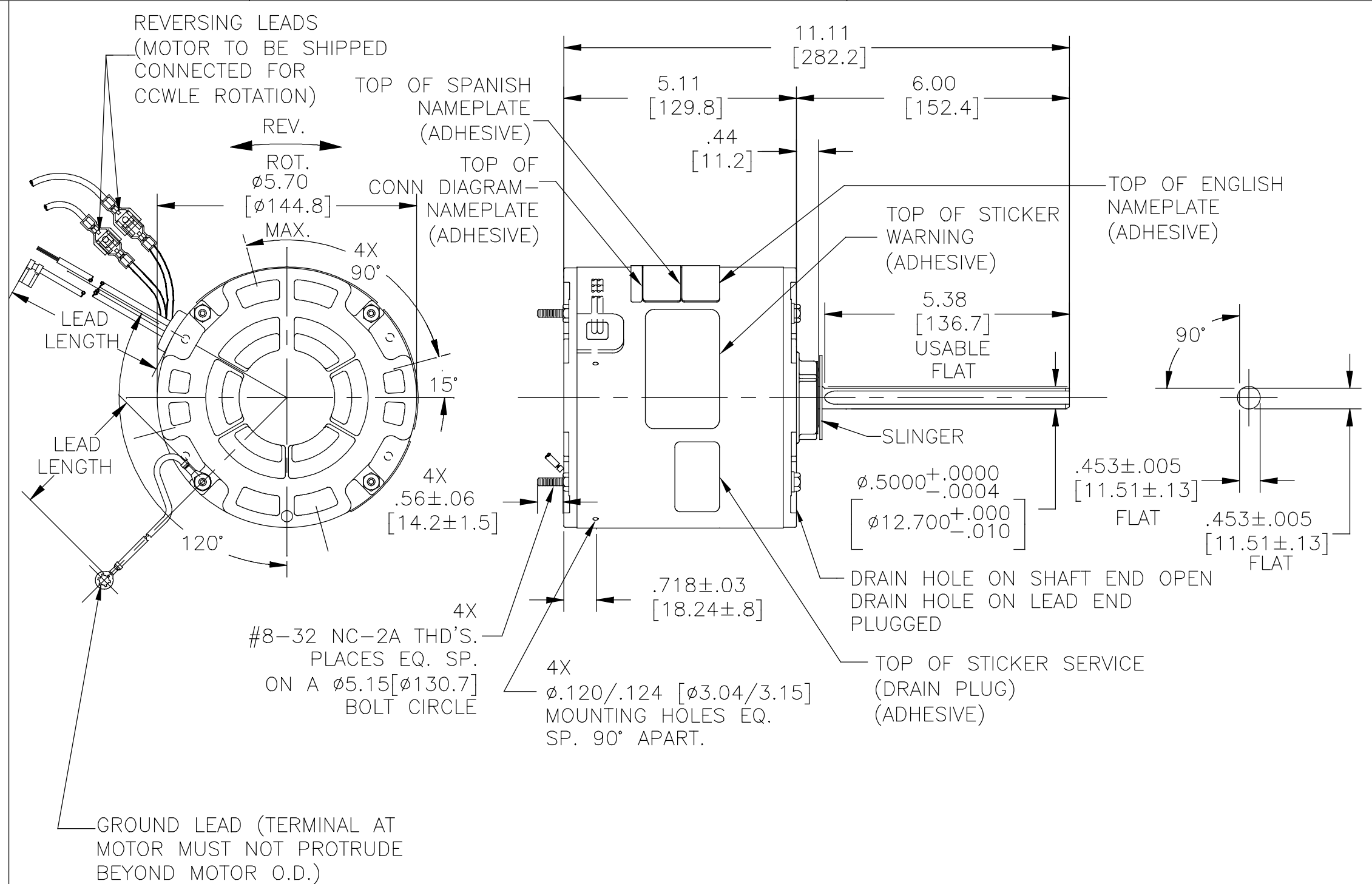
MOUNTING POSITION: ALL ANGLE

ELECTRICAL DATA:

OVERLOAD PROTECTOR: AUTOMATIC RESET (SENSATA 7AM 036)

LEADS: NO. 18 GA., .03[.8] THK., XLP 125°C INSUL.

GROUND LEAD: NO. 18 GA., .03[.8] THK. (GREEN) INSUL.



NOTES:

- 4X SCREWS 615982-001 & 4X HEX NUTS 7555A19H01 TO BE PUT IN A POLYBAG.
- THE SYMBOL OF CTQ: ▲ (NO CTQ ON THIS DRAWING).
- MEET THE REQUIREMENT OF RoHS & REACH, SEE EP000014_5.1.

REGAL-BELOIT CORPORATION (RBC) PROVIDES TECHNICAL ASSISTANCE TO OUR CUSTOMERS IN SEVERAL AREAS. SINCE RBC DOES NOT RECEIVE ALL DATA CONCERNING THE USE AND APPLICATION OF THE MOTOR, THE SUITABILITY OF THE MOTOR FOR THE APPLICATION MUST BE DETERMINED BY THE CUSTOMER.

DIMENSIONS WITHOUT TOLERANCES ARE FOR REFERENCE ONLY.

MAIN FRAME - OLE	ENCLOSED
END FRAME - OLE	ENCLOSED
MAIN FRAME - LE	ENCLOSED
END FRAME - LE	ENCLOSED

CUSTOMER EconoMaster

NAMEPLATE DATA:	EXTERNAL CONNECTION DIAGRAM
MODEL NO.: F48AF36A01 CUST. P/N: EM3405F HP: 1/3 ROT.: REVERSIBLE RPM: 825 TYPE: UF FRAME: 48Y VOLTS: 208-230 PH: 1 AMPS: 1.6-1.8 HZ: 60 INS.: F AMB.: 70°C DUTY: AIR OVER CAP.: 7.5MFD/370V ENCL: ENCLOSED UL LOGO & FILE NO. CSA LOGO & FILE NO. THERMALLY PROTECTED TYPE T	<p>614131-292</p>

COLOR	LENGTH	TERMINAL OR STRIP LENGTH
GREEN (GROUND)	12.0/13.0 [305/330]	#10 EYELET
PURPLE(REV)	4.0/6.0 [102/152]	.25[6.4] PER-INSUL. MALE TAB
PURPLE(REV)	4.0/6.0 [102/152]	.25[6.4] PER-INSUL. FEMALE SPADE
YELLOW (REV)	4.0/6.0 [102/152]	.25[6.4] PER-INSUL. MALE TAB
YELLOW (REV)	4.0/6.0 [102/152]	.25[6.4] PER-INSUL. FEMALE SPADE
BROWN/WHITE	35.0/37.0 [889/940]	.25[6.4] FLAG
BROWN	35.0/37.0 [889/940]	.25[6.4] FLAG
WHITE	35.0/37.0 [889/940]	.50[12.7] SKIN
BLACK	35.0/37.0 [889/940]	.50[12.7] SKIN

PERFORMANCE CURVE NO.	TORQUE @825 RPM (25°C)	APPROVED SAMPLE	UL COMPONENT FILE #	CCN #	CSA FILE #	CLASS #
C30806	36.6 OZ. FT.		E46412	PRGY2	LR43341	4211-01

DRAWING REVISION	REVISION BY	DATE
J	NANCY LIU	06-18-2020
ECO	KEYUN.GONG	06-18-2020

ECO-0187955
ECO DESCRIPTION SEE ECO

COPYRIGHT REGAL-BELOIT AMERICA, INC. ALL RIGHTS RESERVED. PROPRIETARY AND CONFIDENTIAL INFORMATION - THIS DOCUMENT IS THE PROPERTY OF REGAL-BELOIT AMERICA, INC. (OWNER) AND CONTAINS OWNER'S PROPRIETARY INFORMATION. ANY PERSON, CORPORATION OR OTHER FIRM RECEIVING IT IS DEEMED, BY RECEIVING IT, TO AGREE THAT IT, AND/OR ANY PART OF IT, SHALL NOT BE DISCLOSED TO ANY PERSON, CORPORATION OR OTHER ENTITY, DUPLICATED, AND/OR USED, EXCEPT AS EXPRESSLY APPROVED IN WRITING IN ADVANCE BY OWNER. THIS DOCUMENT SHALL BE RETURNED TO OWNER UPON REQUEST. IT MAY BE SUBJECT TO CERTAIN RESTRICTIONS UNDER APPLICABLE EXPORT CONTROL LAWS AND REGULATIONS.

DRAWN BY:	REGAL™	Regal Beloit America, Inc.
CZ		
DATE:	12-24-2012	
APPROVED BY:	TZ	
DATE:	12-24-2012	
PROCESS/FINISH		
THIRD ANGLE PROJECTION	SIZE DWG NO	C
	DESCRIPTION	MODEL-RFHP-48FR OUTLINE
	MATERIAL	
		EM3405F
		SHEET 1