



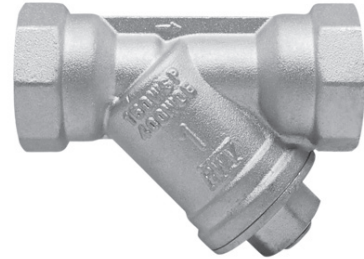
ECO-VALVE

Figure # 380AB

Low Lead Brass Threaded Y-strainer

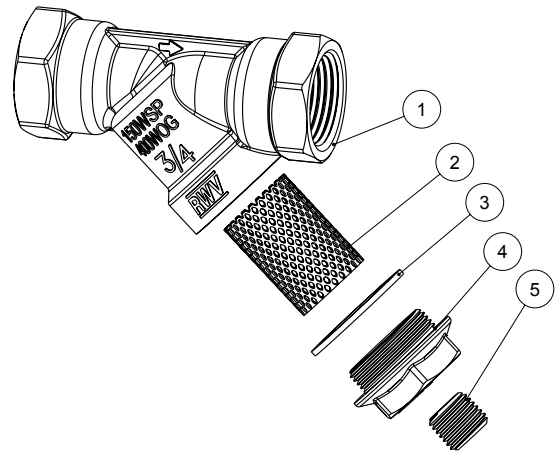
Product Features

- 125# WSP / 200# WOG
- Low Lead Brass Body
- Threaded Ends
- Stainless Steel Mesh Screen
- Threaded Cap with Clean Out Plug
- * NSF 61-G & NSF 372 Certified



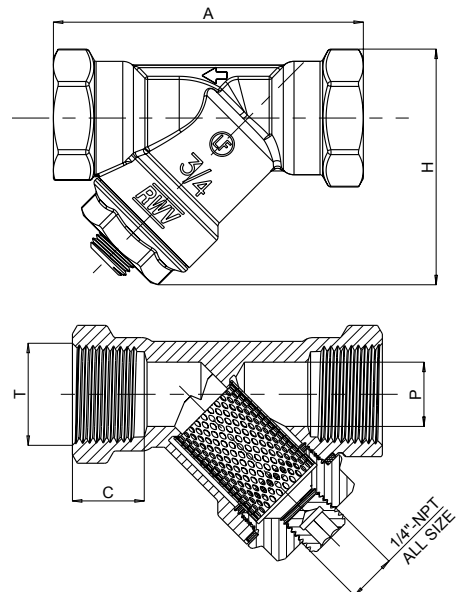
Materials & Specifications

| Item | Description | Material | Specification |
|------|-------------|-----------------|---------------|
| 1 | Body | Low Lead Brass | UNS C28500 |
| 2 | Strainer | Stainless Steel | SS 304 |
| 3 | Gasket | PTFE | PTFE |
| 4 | Cap | Low Lead Brass | UNS C28500 |
| 5 | Plug | Low Lead Brass | UNS C28500 |



Dimensions, Weights (inches-lbs.) & Valve Data

| Size | 1/2 | 3/4 | 1 | 1-1/4 | 1-1/2 | 2 |
|------|------|------|------|-------|-------|------|
| A | 2.76 | 3.23 | 3.64 | 4.11 | 4.69 | 5.28 |
| H | 2.13 | 2.36 | 2.64 | 3.50 | 4.13 | 4.74 |
| P | 0.59 | 0.67 | 0.79 | 1.26 | 1.57 | 1.97 |
| C | 0.61 | 0.75 | 0.75 | 0.77 | 0.77 | 0.83 |
| Wt | 0.46 | 0.65 | 0.95 | 1.30 | 1.98 | 2.69 |



RED-WHITE VALVE CORP.

20600 Regency Lane, Lake Forest, CA 92630

TEL: 949.859.1010 • FAX: 949.859.7200 • www.redwhitevalvecorp.com

(150529)