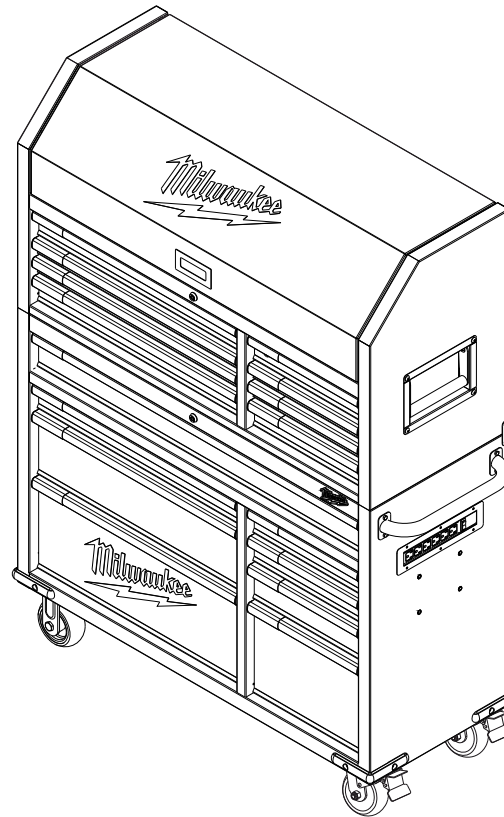




**OPERATOR'S MANUAL
MANUEL de L'UTILISATEUR
MANUAL del OPERADOR**

**Cat. No.
No de cat.
48-22-8510**

**Cat. No.
No de cat.
48-22-8520**



**46" 16 DRAWER STEEL STORAGE CABINET & CHEST COMBO
ENSEMBLE PLACARD ET COFFRE DE RANGEMENT AVEC 16
TIROIRS EN ACIER 1168 mm (46")
COMBINACIÓN DE GABINETE Y CAJA DE ALMACENAMIENTO CON
16 CAJONES DE ACERO DE 1168 mm (46")**

TO REDUCE THE RISK OF INJURY, USER MUST READ AND UNDERSTAND OPERATOR'S MANUAL.

AFIN DE RÉDUIRE LE RISQUE DE BLESSURES, L'UTILISATEUR DOIT LIRE ET BIEN COMPRENDRE LE MANUEL DE L'UTILISATEUR.











PARA REDUCIR EL RIESGO DE LESIONES, EL USUARIO DEBE LEER Y ENTENDER EL MANUAL DEL OPERADOR.

IMPORTANT SAFETY INSTRUCTIONS

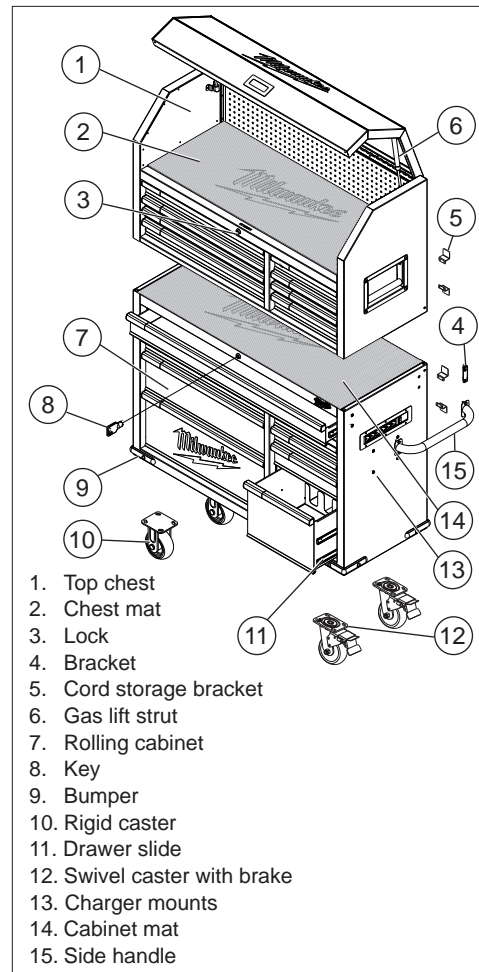
WARNING READ ALL SAFETY WARNINGS AND ALL INSTRUCTIONS. Failure to follow the warnings and instructions may result in serious injury. **Save all warnings and instructions for future reference.**

- **Use the chest/cabinet and accessories in accordance with these instructions and in the manner intended,** taking into account the working conditions. Use of the chest/cabinet for operations different from those intended could result in a hazardous situation.
- **Keep work area clean and well lit.** Cluttered or dark areas invite accidents.
- **Fully assemble the chest/cabinet according to the assembly instructions.** Do not leave off any pieces.
- **Chest must be fastened by screws through connectors after it has been placed on top of cabinet.**
- **Do not modify the chest/cabinet** in any way. Use only specifically recommended accessories. Drilling holes or modifying the chest/cabinet will lower the load capacity, which can cause the chest/cabinet to collapse, resulting in injury.
- **Lock wheels when chest/cabinet is not being moved.** Unlocked wheels can allow the chest/cabinet to move unexpectedly.
- **Keep the chest/cabinet on a level surface. Do not load, unload, or park chest/cabinet on an incline.** The chest/cabinet may become unbalanced and tip, resulting in injury.
- **Always balance the chest/cabinet load to avoid tipping.** Unbalanced chests/cabinets are more likely to tip when being moved or when using the chest/cabinet work surfaces. Evenly distribute the weight front to back and side to side. Place more than half the total load weight on the bottom cabinet when possible. To help prevent the chest/cabinet from tipping, load the product starting with the bottom drawers.
- **Do not exceed the maximum product weight, including contents. Do not exceed the maximum weight for each drawer.** Overloaded chests/cabinets can tip, collapse, or damage drawer slides.
- **Do not open more than one drawer at a time.** Chest/cabinet may tip, causing injury.
- **Keep children and bystanders away while loading, unloading, and moving chest/cabinet.** Distractions can cause you to lose control.
- **Only lift the chest/cabinet according to the instructions** in this manual. Other methods may be dangerous, resulting in injury.
- **Only transport the chest/cabinet when empty. Properly secure when transporting.**
- **Do not mount the chest/cabinet on a truck bed or any other moving object.**
- **Lock both the lid and all drawers before rolling the chest/cabinet.** The drawers could come open and make the chest/cabinet unstable and tip.
- **Only roll the chest/cabinet short distances by using the handle provided.**
- **Secure all items before rolling the chest/cabinet.** Loose items could shift, causing the chest/cabinet to become unstable.
- **Do not use drawers as steps. Do not stand on the chest/cabinet.** Chest/cabinet will tip, causing injury.
- **Be careful when closing the chest top cover.** Remove hands before closing the top cover.
- **Do not use chest/cabinet in explosive atmospheres,** such as in the presence of flammable liquids, gases or dust. This equipment has internal arcing or sparking parts. Chest/cabinet should not be located in a recessed area or below floor level.
- **Chest/cabinet plugs must match the outlet. Never modify the plug in any way. Do not use any adapter plugs with earth (grounded) chest/cabinet power strips.** Unmodified plugs and matching outlets will reduce risk of electric shock.
- **Avoid body contact with earthed or grounded surfaces such as pipes, radiators, ranges and refrigerators.** There is an increased risk of electric shock if your body is earthed or grounded.
- **Maintain chest/cabinet.** Check for misalignment or binding wheels, breakage or bending of drawer slides or other parts and any other condition that may affect the chest/cabinet's operation. Do not use damaged chest/cabinet.
- **Maintain labels and nameplates.** These carry important information. If unreadable or missing, contact a **MILWAUKEE** service facility for a free replacement.
- **Have your chest/cabinet serviced by a qualified repair person using only identical replacement parts.** This will ensure that the safety of the chest/cabinet is maintained.

SYMBOLOLOGY

	Warning
	Read Operator's Manual
	Electrical Shock Hazard
	Do not open more than one drawer at a time. Chest/cabinet may tip, causing injury
	
	Chest must be fastened by screws through connectors after it has been placed on top of cabinet
	Lock wheels when chest/cabinet is not being moved. Unlocked wheels can allow the chest/cabinet to move unexpectedly
	Do not use drawers as steps. Chest/cabinet will tip, causing injury
	Lock both the lid and all drawers before moving the chest/cabinet
	

FUNCTIONAL DESCRIPTION



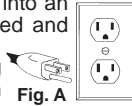
SPECIFICATIONS

Cat. No.	Two-Slide Drawer Capacity	Four-Slide Drawer Capacity	Total Capacity
48-22-8510	100 lbs. (45.4 kg)	200 lbs. (90.7 kg)	1800 lbs. (816.5 kg)
48-22-8520			

GROUNDING

⚠ WARNING Improperly connecting the grounding wire can result in the risk of electric shock. Check with a qualified electrician if you are in doubt as to whether the outlet is properly grounded. Do not modify the plug provided with the chest/cabinet. Never remove the grounding prong from the plug. Do not use the chest/cabinet if the cord or plug is damaged. If damaged, have it repaired before use. If the plug will not fit the outlet, have a proper outlet installed by a qualified electrician.

Chests/Cabinets with Three Prong Plugs
Chests/cabinets marked "Grounding Required" have a power strip with a three wire cord and three prong grounding plug. The plug must be connected to a properly grounded outlet (See Figure A). If the power strip should electrically malfunction or break down, grounding provides a low resistance path to carry electricity away from the user, reducing the risk of electric shock. The grounding prong in the plug is connected through the green wire inside the cord to the grounding system in the power strip. The green wire in the cord must be the only wire connected to the power strip's grounding system and must never be attached to an electrically "live" terminal. Your power strip must be plugged into an appropriate outlet, properly installed and grounded in accordance with all codes and ordinances. The plug and outlet should look like those in Figure A.



ASSEMBLY

⚠ CAUTION Be sure to follow the assembly instructions for the appropriate chest/cabinet. Do not use power tools to assemble chest/cabinet. Tighten bolts with hand wrenches.

Tools Required



Hardware Included

NOTE: Items not shown to actual size.

Hardware	Item	Description	Quantity
AA		Bolt M6 x 15L	4
BB		Washer M8	16
CC		Bolt M8 x 20L	16
DD		Screw M4 x 8L	20
EE		Screw M6 x 12L	8

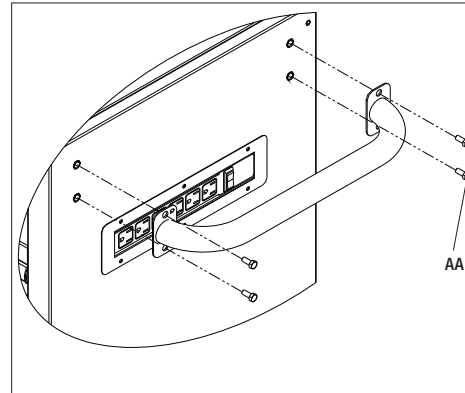
Item	Description	Quantity
	Side handle	1
	Swivel caster with brake	2
	Rigid caster	2
	Bracket	2
	Bumper	4
	Cord Storage Brackets	4

NOTE: Begin product assembly close to the final intended location of your chest/cabinet. This product is heavy and may be difficult to move after assembly.

Attaching the Side Handle

Attach the side handle to the rolling cabinet using four bolts (AA).

NOTE: The holes in the cabinet are tapped and do not require nuts.

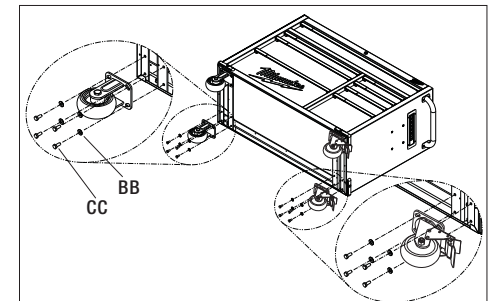


Installing the Casters

⚠ CAUTION Two people may be required to complete installation.

⚠ CAUTION Do not overtighten the screws.

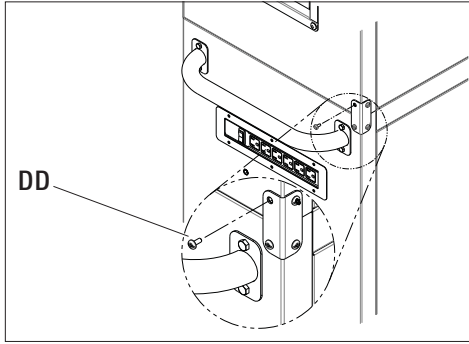
1. Ensure all cabinet drawers are securely locked into place using the key lock on the rolling cabinet.
2. Lay the rolling cabinet on its back. Use the packaging material to protect the finish.
3. Mount the two swivel casters with brake to the rolling cabinet using four bolts (CC) and washers (BB) per caster. The swivel casters with brake should be installed on the end of the cabinet with the side handle.
4. Mount the two rigid casters to the opposite end of the rolling cabinet using four bolts (CC) and washers (BB) per caster.
5. Tighten all bolts securely with a wrench.
6. Return the rolling cabinet to its upright position.



Installing the Chest onto the Cabinet

CAUTION Two people may be required to complete installation.

1. Remove the cabinet mat from the rolling cabinet. The top chest will not line up with the brackets if the mat is in place.
2. Place the top chest on top of the rolling cabinet. **NOTE:** The holes in the cabinet are tapped and do not require nuts.
3. Attach the two brackets to the back of the product to secure the top chest to the rolling cabinet. Place the brackets over the holes and secure with four screws (DD) per bracket.
4. Tighten all screws securely with a Phillips screwdriver.

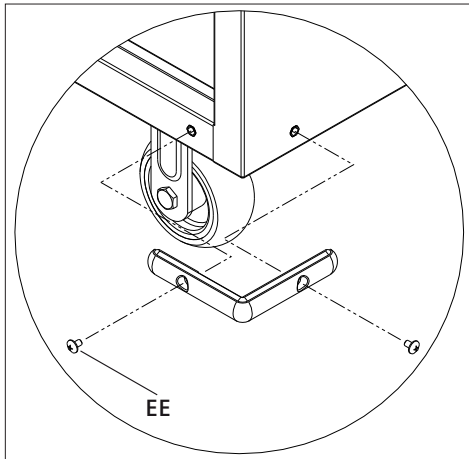


Installing the Drawer Liners and Mat

Place the drawer liners in appropriately sized drawers and the mat in the chest lid area to protect the surface.

Installing the Bumpers

Attach the four bumpers to the rolling cabinet using two screws (EE) per bumper.



Installing the Cord Storage Brackets

Attach the brackets to the back of the chest and cabinet with two screws (DD) per bracket. Orient the brackets with one pointed up and one pointed down so that the power outlet cord can be wrapped around the brackets for storage.

OPERATION

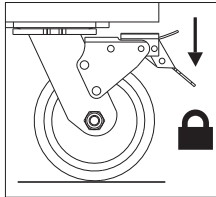
WARNING To avoid injury or property damage, do not exceed maximum shelf capacity. Use care when moving chest/cabinet on incline or rough surface. Chest/cabinet may tip if weight is not evenly distributed front to back and side to side. Place more than half the total load weight on the bottom cabinet when possible.

Locking and Unlocking the Chest/Cabinet

NOTE: The drawers must be fully closed before locking/unlocking the unit. Insert the key. Turn it fully left to lock, or fully right to unlock. Always remove the key after locking and unlocking.

Moving the Chest/Cabinet on an Incline or Rough Surface

Take care that the chest/cabinet does not tip or become unbalanced when moving it on an incline or rough surface. Do not exceed an incline of 10 degrees. Lock the chest/cabinet and secure all items before moving.



Using the Caster Brakes

To lock the swivel casters, step down on the levers marked Lock. Be sure to lock both casters to prevent chest/cabinet from rolling or swiveling. To unlock casters, push down on the levers marked Unlock.

Rolling the Chest/Cabinet

The chest/cabinet is only intended for rolling short distances. Only roll the chest/cabinet using the handle. Do not push or pull chest/cabinet by the frame or product may tip. Do not modify the chest/cabinet in any way. Drilling holes or modifying the chest/cabinet will lower the load capacity, which can cause the chest/cabinet to collapse, resulting in injury. Lock the chest/cabinet and secure all items before rolling.

Lifting the Chest/Cabinet

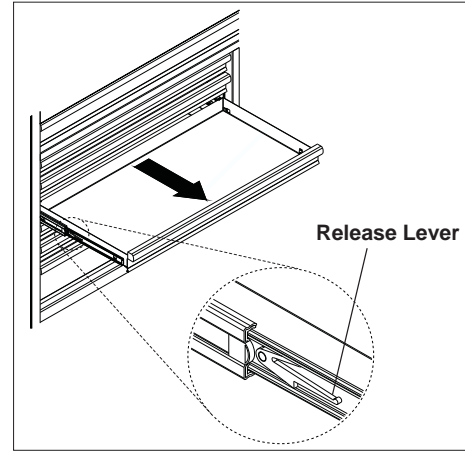
The cabinet and chest/cabinet combo are not intended to be lifted. However, if you need to lift, empty the chest/cabinet and then place straps or forks inside and next to casters. Do not lift loaded chests/cabinets. Be sure all bystanders are moved away before lifting chest/cabinet.

Mounting Chargers

The rolling cabinet comes equipped with four pre-installed charger mounting bosses, located below the power strip. The charger mounts are suitable for holding MILWAUKEE M18™ & M12™ Multi Voltage chargers as well as M18™ chargers. To mount a charger, install a screw (DD) into each boss, then slide the charger's key-hole slots over the screws. Slide the charger toward the floor to lock it onto the screws.

Removing the Drawers

1. Fully extend and empty the drawer.
2. Depending on the side, either lift or lower the release lever on both sides so the slides can ride over the stops. Pull out to remove.



Installing the Drawers

1. Pull the slides and slide carrier out until fully extended.
2. Hold the slide on the cabinet while aligning it with the slide on the drawer.
3. Slightly insert one side and repeat for the other side.
4. Slowly push the drawer until it is fully closed to engage the slide.
5. Open and close the drawer to verify proper operation.

MAINTENANCE

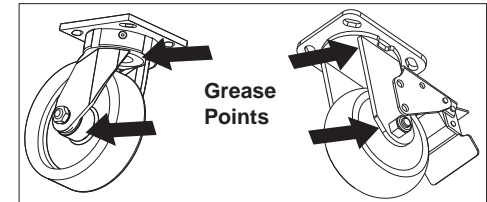
WARNING To reduce the risk of injury, contact MILWAUKEE Corporate After Sales Service Technical Support for ALL repairs and replacement parts.

Maintaining the Chest/Cabinet

Keep your chest/cabinet in good repair by adopting a regular maintenance program. Before use, examine the general condition of your chest/cabinet. Check for loose screws, misalignment, binding of wheels, broken parts and any other condition that may affect its safe operation. Do not use a damaged chest/cabinet.

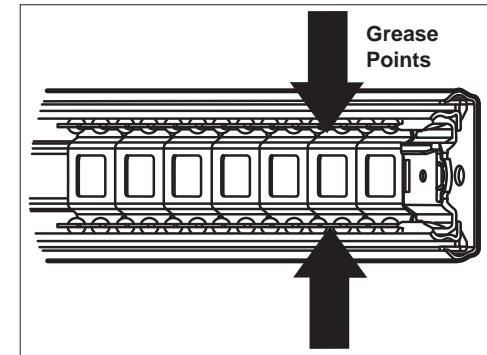
Maintaining the Casters

Grease the casters annually using high quality bearing grease.



Maintaining the Drawers

1. Periodically clean the drawer trim, and inside the drawers with a mild detergent and water.
2. Remove grease and oil in drawer with a standard, nonflammable cleaning fluid.
3. The use of drawer liners is recommended to protect the finish inside the drawers and make the drawers easier to clean. Drawer liners can be cleaned with soap and water.
4. Lubricate the slides semi-annually with general purpose grease or equivalent.




Cleaning

This steel product has been coated with industrial powder coating for a durable finish. To help protect the powder coated finish, do not allow harsh chemicals (oil, grease or other chemical) to remain on the powder coating surface. Use a glass cleaner to clean and maintain all surfaces of powder coating. Keep the chest/cabinet handles and wheels clean, dry and free of oil or grease. Use only mild soap and a damp cloth to clean your chest/cabinet since certain cleaning agents and solvents are harmful to plastics. Some of these include: gasoline, turpentine, lacquer thinner, chlorinated cleaning solvents, ammonia and household detergents containing ammonia. Never use flammable or combustible solvents around chests/cabinets.

Service

For service and repair information, including the ordering of service parts, call our Corporate After Sales Service Technical Support line at 1-800-SAWDUST, or visit our website at www.milwaukeetool.com.

ACCESSORIES

 **WARNING** Modifying the chest/cabinet to accept other accessories may be hazardous, resulting in injury or property damage. Use only specifically recommended accessories according to the manufacturer's instructions.

For a complete listing of accessories refer to your *MILWAUKEE* catalog or go online to www.milwaukeetool.com. To obtain a catalog, contact your local distributor or service center.

LIMITED LIFETIME WARRANTY - USA AND CANADA

Every *MILWAUKEE* steel storage chest and cabinet are warranted to the original purchaser only to be free from defects in material and workmanship. Subject to certain exceptions, *MILWAUKEE* will repair or replace any part on a chest or cabinet which, after examination, is determined by *MILWAUKEE* to be defective in material or workmanship for a period of three (3) years after the date of purchase. Return of the chest or cabinet to the place of purchase is required. A copy of the proof of purchase should be included with the return product. This warranty does not apply to damage that *MILWAUKEE* determines to be from repairs made or attempted by anyone other than *MILWAUKEE* authorized personnel, misuse, alterations, abuse, normal wear and tear, lack of maintenance, or accidents.

Warranty Registration is not necessary to obtain the applicable warranty on a *MILWAUKEE* steel storage chest or cabinet. The manufacturing date of the product will be used to determine the warranty period if no proof of purchase is provided at the time warranty service is requested.

If you feel your product has a warranty defect, or if you need information on a service/replacement part, please contact *MILWAUKEE* at **1.800.SAWDUST (1.800.729.3878)** for instructions.

ACCEPTANCE OF THE EXCLUSIVE REPAIR AND REPLACEMENT REMEDIES DESCRIBED HEREIN IS A CONDITION OF THE CONTRACT FOR THE PURCHASE OF EVERY *MILWAUKEE* PRODUCT. IF YOU DO NOT AGREE TO THIS CONDITION, YOU SHOULD NOT PURCHASE THE PRODUCT. IN NO EVENT SHALL *MILWAUKEE* BE LIABLE FOR ANY INCIDENTAL, SPECIAL, CONSEQUENTIAL OR PUNITIVE DAMAGES, OR FOR ANY COSTS, ATTORNEY FEES, EXPENSES, LOSSES OR DELAYS ALLEGED TO BE AS A CONSEQUENCE OF ANY DAMAGE TO, FAILURE OF, OR DEFECT IN ANY PRODUCT INCLUDING, BUT NOT LIMITED TO, ANY CLAIMS FOR LOSS OF PROFITS. SOME STATES DO NOT ALLOW THE EXCLUSION OR LIMITATION OF INCIDENTAL OR CONSEQUENTIAL DAMAGES, SO THE ABOVE LIMITATION OR EXCLUSION MAY NOT APPLY TO YOU. THIS WARRANTY IS EXCLUSIVE AND IN LIEU OF ALL OTHER EXPRESS WARRANTIES, WRITTEN OR ORAL. TO THE EXTENT PERMITTED BY LAW, *MILWAUKEE* DISCLAIMS ANY IMPLIED WARRANTIES, INCLUDING WITHOUT LIMITATION ANY IMPLIED WARRANTY OF MERCHANTABILITY OR FITNESS FOR A PARTICULAR USE OR PURPOSE; TO THE EXTENT SUCH DISCLAIMER IS NOT PERMITTED BY LAW, SUCH IMPLIED WARRANTIES ARE LIMITED TO THE DURATION OF THE APPLICABLE EXPRESS WARRANTY AS DESCRIBED ABOVE. SOME STATES DO NOT ALLOW LIMITATIONS ON HOW LONG AN IMPLIED WARRANTY LASTS, SO THE ABOVE LIMITATION MAY NOT APPLY TO YOU, THIS WARRANTY GIVES YOU SPECIFIC LEGAL RIGHTS, AND YOU MAY ALSO HAVE OTHER RIGHTS WHICH VARY FROM STATE TO STATE. This warranty applies to product sold in the U.S.A. and Canada only.

Please consult the 'Find a Service Center Search' in the Parts & Service section of *MILWAUKEE*'s website www.milwaukeetool.com or call **1.800.SAWDUST (1.800.729.3878)** to locate your nearest *MILWAUKEE* factory Service Center location.

INSTRUCTIONS IMPORTANTES CONCERNANT LA SÉCURITÉ

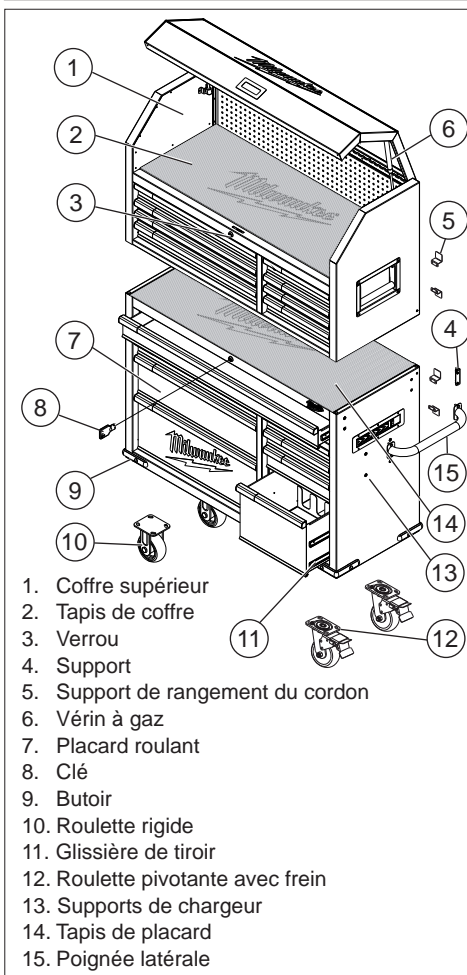
 **AVERTISSEMENT LIRE TOUTES LES RÈGLES ET INSTRUCTIONS DE SÉCURITÉ.** Ne pas suivre l'ensemble des règles et instructions peut entraîner une électrocution, un incendie ou des blessures graves. Conserver les règles et les instructions à des fins de référence ultérieure.

- Utiliser le coffre/placard et les accessoires conformément à ces instructions et de la manière prévue, en prenant en compte les conditions de travail. L'utilisation d'un coffre/placard pour des applications pour lesquelles il n'est pas conçu peut être dangereuse.
- Conserver la zone de travail propre et bien éclairée. Le désordre et le manque de lumière favorisent les accidents.
- Monter entièrement le coffre/placard conformément aux instructions d'assemblage. Remettez toutes les pièces en place.
- Le coffre doit être fixé avec des vis à travers les connecteurs après avoir été placé sur le dessus du placard.
- Ne pas modifier le coffre/placard d'une quelconque façon. N'utiliser que les accessoires spécifiquement recommandés. Percer des trous ou modifier le coffre/placard réduira la capacité de charge, ce qui peut entraîner l'effondrement du coffre/placard et des blessures.
- Verrouiller les roues lorsque le coffre/le placard n'est pas déplacé. Le déverrouillage des roues peut provoquer un mouvement inattendu du coffre/placard.
- Installer le coffre/placard sur une surface plane. Ne pas charger, décharger ou placer le coffre/placard sur une surface inclinée. Le coffre/placard peut être déséquilibré et basculer, entraînant des blessures.
- Toujours équilibrer la charge du coffre/placard pour éviter tout basculement. Des coffres/placards déséquilibrés ont plus de risques de basculer lorsqu'ils sont déplacés ou lorsque vous utilisez leur surface de travail. Répartir le poids uniformément entre l'avant/l'arrière et les côtés. Lorsque cela est possible, placer plus de la moitié du poids de charge total sur le placard du bas. Pour éviter le basculement du coffre/placard, charger le produit en commençant par les tiroirs du bas.
- Ne pas dépasser le poids maximum du produit, une fois rempli. Ne pas dépasser le poids maximum pour chaque tiroir. Des coffres/placards trop chargés risquent de basculer, de s'effondrer ou d'endommager les glissières des tiroirs.
- Ne pas ouvrir plusieurs tiroirs à la fois. Le coffre/placard peut basculer, entraînant des blessures.
- Tenir les enfants et les curieux à bonne distance pendant le chargement, le déchargement et le déplacement du coffre/placard. Les distractions peuvent causer une perte de contrôle.
- Soulever uniquement le coffre/placard conformément aux instructions de ce manuel. Les autres méthodes peuvent être dangereuses, entraînant des blessures.
- Transporter uniquement le coffre/placard lorsqu'il est vide. Bien le maintenir pendant le transport.
- Ne pas monter le coffre/placard sur une plateforme ou tout autre objet mobile.
- Verrouiller le couvercle et tous les tiroirs avant de faire rouler le coffre/placard. Les tiroirs pourraient s'ouvrir, rendre le coffre/placard instable et le faire basculer.
- Ne faire rouler le coffre/placard que sur de courtes distances en utilisant la poignée fournie.
- Bien sécuriser tous les objets avant de faire rouler le coffre/placard. Les objets desserrés pourraient se déplacer, rendant le coffre/placard instable.
- Ne pas utiliser les tiroirs comme escabeau. Ne pas monter sur le coffre/placard. Le coffre/placard basculera, entraînant des blessures.
- Faire attention en fermant le couvercle supérieur du coffre. Enlever les mains avant de le fermer.
- Ne pas utiliser le coffre/placard dans un environnement explosif, par exemple en présence de liquides, de gaz ou de poussières inflammables. Cet équipement possède des pièces pouvant produire des arcs ou des étincelles. Le coffre/placard ne doit pas être placé dans une zone encastrée ou sous le niveau du plancher.
- Les fiches du coffre/placard doivent correspondre à la prise. Ne jamais modifier la fiche, de quelque façon que ce soit. Ne jamais utiliser d'adaptateurs de fiche avec des bandes d'alimentation mises à la terre pour le coffre/placard. Les fiches et prises non modifiées réduisent le risque de choc électrique.
- Éviter tout contact avec des surfaces mises à la terre comme des tuyaux, des radiateurs, des cuisinières et des réfrigérateurs. Le risque de choc électrique est accru lorsque le corps est mis à la terre.
- Maintenir le coffre/placard. Vérifier qu'aucune roue n'est mal alignée ou bloquée, qu'aucune glissière de tiroir ou autre pièce n'est brisée ou bloquée, et s'assurer qu'aucun autre problème ne puisse affecter le bon fonctionnement du coffre/placard. Ne pas utiliser un coffre/placard endommagé.
- Maintenir en état les étiquettes et les plaques signalétiques. Des informations importantes y figurent. Si elles deviennent illisibles ou manquantes, contacter un centre de services et d'entretien *MILWAUKEE* pour un remplacement gratuit.
- Les réparations de votre coffre/placard doivent être confiées à un technicien qualifié, utilisant exclusivement des pièces identiques à celles d'origine. Le maintien de la sûreté du coffre/placard sera ainsi assuré.

PICTOGRAPHIE

	Avertissement
	Lire le manuel d'utilisation
	Danger de décharge électrique
	Ne pas ouvrir plusieurs tiroirs à la fois. Le coffre/placard peut basculer, entraînant des blessures
	Ne pas utiliser les tiroirs comme escabeau. Ne pas monter sur le coffre/placard. Le coffre/placard basculera, entraînant des blessures
	Le coffre doit être fixé avec des vis à travers les connecteurs après avoir été placé sur le dessus du placard
	Verrouiller les roues lorsque le coffre/le placard n'est pas déplacé. Le déverrouillage des roues peut provoquer un mouvement inattendu du coffre/placard
	Ne pas utiliser les tiroirs comme escabeau. Ne pas monter sur le coffre/placard. Le coffre/placard basculera, entraînant des blessures
	Verrouiller le couvercle et tous les tiroirs avant de déplacer le coffre/placard

DESCRIPTION FONCTIONNELLE



SPÉCIFICATIONS

No de Cat.	Capacité du tiroir à deux glissières	Capacité du tiroir à quatre glissières	Capacité totale
48-22-8510 48-22-8520	45,4 kg (100 lbs.)	90,7 kg (200 lbs.)	816,5 kg (1800 lbs.)

MISE A LA TERRE

⚠ AVERTISSEMENT Le raccord incorrect du fil de mise à la terre peut entraîner un risque de choc électrique. En cas de doute au sujet de la mise à la terre, consulter un électricien qualifié. Ne pas modifier la fiche fournie avec le coffre/placard. Ne jamais retirer la broche de mise à la terre de la fiche. Ne pas utiliser le coffre/placard si le cordon ou la fiche sont endommagés. En cas de dommages, faire réparer avant l'utilisation. Si la fiche ne peut pas être insérée dans la prise secteur, faire installer une prise adéquate par un électricien qualifié.

Coffres/placards munis de fiches à trois broches
Les coffres/placards portant la marque « Mise à la terre requise » possèdent une bande d'alimentation avec un cordon à trois fils et une fiche de mise à la

terre à trois broches. La fiche doit être branchée à une prise correctement mise à la terre (voir Figure A). En cas de dysfonctionnement électrique ou de défaillance de la bande d'alimentation, la mise à la terre constitue un chemin à faible résistance pour détourner l'électricité de l'utilisateur, réduisant ainsi le risque de choc électrique.

La broche de mise à la terre dans la fiche est reliée grâce au fil vert qui se trouve à l'intérieur du cordon au système de mise à terre de la bande d'alimentation. Le fil vert du cordon doit être le seul fil relié au système de mise à la terre de la bande d'alimentation et ne doit jamais être connecté à une borne électrique « sous tension ». Votre bande d'alimentation doit être branchée sur une prise correctement installée et mise à la terre conformément à tous les codes et règlements en vigueur. La fiche et la prise doivent être identiques à celles de la Figure A.

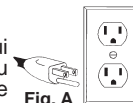


Fig. A

MONTAGE DE L'OUTIL

⚠ ATTENTION Veillez à bien respecter les instructions d'assemblage pour le coffre/placard approprié. N'utilisez pas d'outils électriques pour assembler le coffre/placard. Serrez les boulons avec des clés à main.

Outils requis



⊕
Tournevis à pointe cruciforme



Lunettes de sécurité



Clé de 10 mm




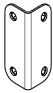
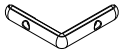



Clé de 13 mm

Matériel inclus

REMARQUE: Les pièces ne sont pas à taille réelle.

Matériel	Pièce	Description	Quantité
AA		Boulon M6 x 15L	4
BB		Rondelle M8	16
CC		Boulon M8 x 20L	16
DD		Vis M4 x 8L	20
EE		Vis M6 x 12L	8

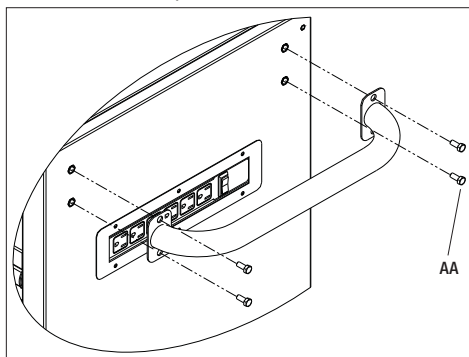
Pièce	Description	Quantité
	Poignée latérale	1
	Roulette pivotante avec frein	2
	Roulette rigide	2
	Support	2
	Butoir	4
	Supports de rangement du cordon	4

REMARQUE: Commencez à assembler le produit à proximité de l'emplacement final souhaité du coffre/placard. Ce produit est lourd et pourrait être difficile à déplacer après l'assemblage.

Fixation de la poignée latérale

Fixer la poignée latérale sur le placard roulant à l'aide des quatre boulons (AA).

REMARQUE: Les orifices du placard sont taraudés et ne nécessitent pas d'écrous.

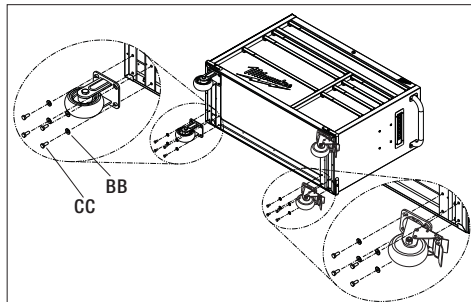


Installation des roulettes

ATTENTION Deux personnes peuvent être requises afin de réaliser l'installation.

ATTENTION Ne pas trop serrer les vis.

1. Veiller à ce que tous les tiroirs du placard soient bien verrouillés en place à l'aide du verrou à clé sur le placard roulant.
2. Placer le placard roulant sur le dos. Utiliser les matériaux d'emballage pour protéger la finition.
3. Monter les deux roulettes pivotantes avec frein sur le placard roulant en utilisant quatre boulons (CC) et rondelles (BB) par roulette. Les roulettes pivotantes avec frein doivent être installées sur l'extrémité du placard avec la poignée latérale.
4. Monter les deux roulettes rigides sur l'autre extrémité du placard roulant en utilisant quatre boulons (CC) et rondelles (BB) par roulette.
5. Serrer fermement tous les boulons avec une clé.
6. Remettre le placard roulant en position verticale.



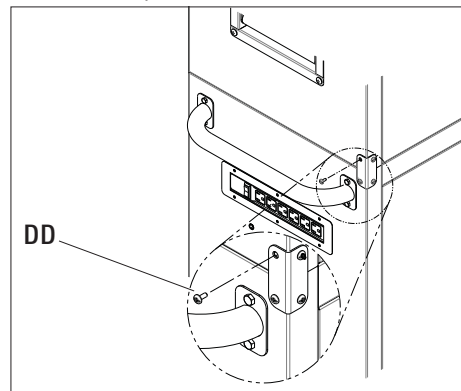
Installation du coffre sur le placard

ATTENTION Deux personnes peuvent être requises afin de réaliser l'installation.

1. Retirer le tapis du placard roulant. Le coffre supérieur ne s'alignera pas bien aux supports si le tapis est en place.
2. Placer le coffre supérieur au-dessus du placard roulant.

REMARQUE: Les orifices du placard sont taraudés et ne nécessitent pas d'écrous.

3. Fixer les deux supports à l'arrière du produit pour sécuriser le coffre supérieur sur le placard roulant. Placer les supports sur les orifices et fixer en utilisant quatre vis (DD) par support.
4. Serrer fermement toutes les vis à l'aide d'un tournevis à pointe cruciforme.

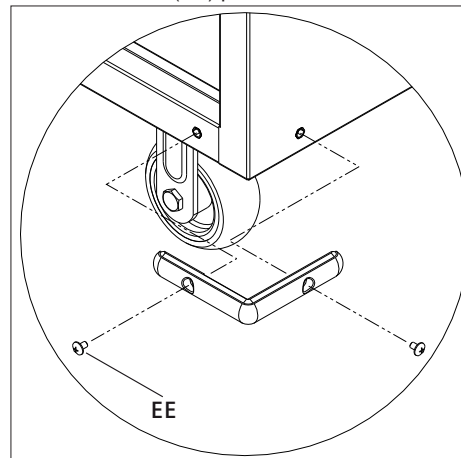


Installation des revêtements de tiroir et du tapis

Placer les revêtements de tiroir dans les tiroirs de taille adaptée et le tapis dans la zone du couvercle de coffre pour protéger la surface.

Installation des butoirs

Fixer les quatre butoirs sur le placard roulant en utilisant deux vis (EE) par butoir.



Installation des supports de rangement du cordon

Fixer les supports à l'arrière du coffre et du placard en utilisant deux vis (DD) par support. Orienter les supports avec l'un dirigé vers le haut et l'un vers le bas pour que le cordon d'alimentation électrique puisse s'enrouler autour des supports de rangement.

MANIEMENT

AVERTISSEMENT Pour éviter des blessures ou des dommages matériels, ne dépassez pas la capacité de charge maximum. Soyez vigilant lorsque vous déplacez le coffre/placard sur une surface inclinée ou rugueuse. Le coffre/placard peut basculer si le poids n'est pas réparti uniformément entre l'avant/l'arrière et les côtés. Lorsque cela est possible, placer plus de la moitié du poids de charge total sur le placard du bas.

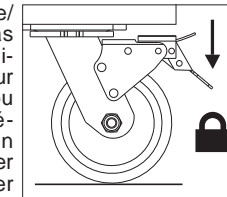
Verrouillage et déverrouillage du coffre/placard

REMARQUE: Les tiroirs doivent être bien fermés avant de verrouiller/déverrouiller l'unité.

Insérer la clé. La tourner entièrement vers la gauche pour verrouiller, ou entièrement vers la droite pour déverrouiller. Toujours enlever la clé après le verrouillage et le déverrouillage.

Déplacement du coffre/placard sur une surface inclinée ou rugueuse

S'assurer que le coffre/placard ne bascule pas ou ne soit pas déséquilibré lorsqu'il est placé sur une surface inclinée ou rugueuse. Ne pas dépasser une inclinaison de 10 degrés. Verrouiller le coffre/placard et fixer toutes ses pièces avant de le déplacer.



Utilisation des freins des roulettes

Pour verrouiller les roulettes pivotantes, appuyer sur les deux roulettes pour éviter que le coffre/placard ne roule ou ne pivote. Pour déverrouiller les roulettes, appuyer sur les leviers de déverrouillage.

Déplacement du coffre/placard

Le coffre/placard est uniquement conçu pour rouler sur de courtes distances. Ne faire rouler le coffre/placard qu'en utilisant la poignée. Ne pas pousser ou tirer le coffre/placard par le cadre, car le produit pourrait basculer. Ne pas modifier le coffre/placard d'une quelconque façon. Percer des trous ou modifier le coffre/placard réduira la capacité de charge, ce qui peut entraîner l'effondrement du coffre/placard et des blessures. Verrouiller le coffre/placard et fixer toutes ses pièces avant de le faire rouler.

Soulèvement du coffre/placard

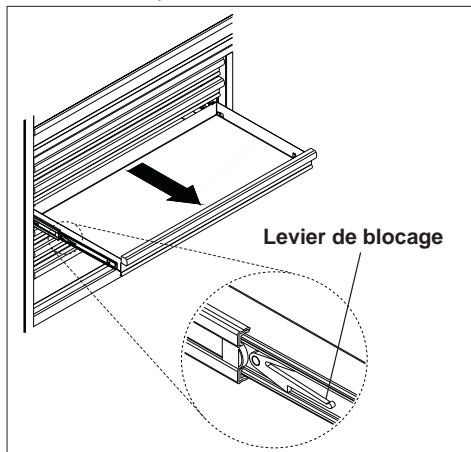
Le placard et l'ensemble coffre/placard ne sont pas conçus pour être soulevés. Toutefois, s'ils doivent être soulevés, vider le coffre/placard, puis placer des bandes ou des fourches à l'intérieur et à côté des roulettes. Ne pas soulever des coffres/placards chargés. S'assurer que tous les curieux sont éloignés avant de soulever le coffre/placard.

Montage des chargeurs

Le placard roulant est équipé de quatre bossages de montage de chargeur préinstallés, situés en dessous de la bande d'alimentation. Les supports de chargeur sont adaptés aux chargeurs à variation de tension MILWAUKEE M18™ et M12™, ainsi qu'aux chargeurs M18™. Pour monter un chargeur, installer une vis (DD) dans chaque bossage, ensuite glisser les fentes du chargeur en forme de trou de serrure sur la vis. Glisser le chargeur vers le plancher pour le verrouiller sur la vis.

Retrait des tiroirs

1. Ouvrir entièrement le tiroir et le vider.
2. Selon le côté, relever ou abaisser le levier de blocage sur les deux côtés, pour que les glissières puissent passer par dessus les butées. Sortir le tiroir pour le retirer.



Installation des tiroirs

1. Tirer les glissières et le portoir jusqu'à ce que le tiroir soit entièrement sorti.
2. Maintenir la glissière du placard pendant son alignement avec la glissière du tiroir.
3. Insérer délicatement un côté et répéter l'opération pour l'autre côté.
4. Pousser doucement le tiroir jusqu'à ce qu'il soit entièrement fermé pour enclencher la glissière.
5. Ouvrir et fermer le tiroir pour vérifier que le produit fonctionne correctement.

MAINTENANCE

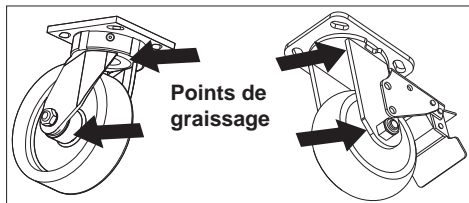
AVERTISSEMENT Pour réduire le risque de blessure, communiquez avec le support technique du service après-vente de la société MILWAUKEE pour TOUTES les réparations et pièces de rechange.

Entretien du coffre/placard

Garder le coffre/placard en bon état en le soumettant à un programme d'entretien régulier. Avant l'utilisation, examiner l'état général de votre coffre/placard. Rechercher les vis desserrées, les alignements incorrects, les roues bloquées, les pièces cassées et tout autre problème qui pourrait affecter le bon fonctionnement du produit. Ne pas utiliser un coffre/placard endommagé.

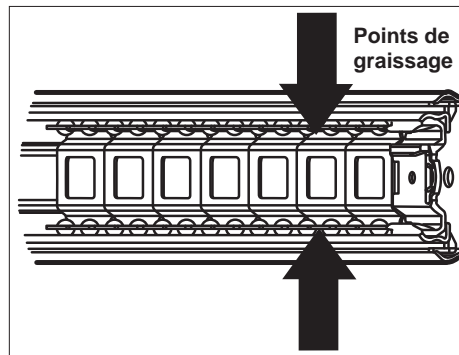
Entretien des roulettes

Graisser les roulettes tous les ans à l'aide d'une graisse pour roulements de haute qualité.



Entretien des tiroirs

1. Nettoyer régulièrement la garniture des tiroirs et l'intérieur avec un détergent doux et de l'eau.
2. Retirer la graisse et l'huile dans le tiroir avec un liquide de nettoyage ininflammable standard.
3. L'utilisation de revêtements de tiroir est recommandée pour protéger la finition à l'intérieur des tiroirs et faciliter leur nettoyage. Les revêtements de tiroir peuvent être nettoyés avec de l'eau et du savon.
4. Lubrifier les glissières tous les six mois avec une graisse à usages multiples ou équivalent.



Nettoyage

Ce produit en acier est muni revêtu d'une poudre industrielle pour offrir une finition durable. Pour protéger la finition en poudre, ne pas laisser les produits chimiques agressifs (huile, graisse ou autre produit chimique) agir sur la surface du revêtement en poudre. Utiliser un nettoyant à vitres pour nettoyer et entretenir toutes les surfaces du revêtement en poudre. S'assurer que les poignées et les roues du coffre/placard restent propres, sèches et exemptes d'huile ou de graisse. Utiliser uniquement un savon doux et un chiffon humide pour nettoyer votre coffre/placard, car certains agents de nettoyage et solvants peuvent détériorer le plastique. En voici des exemples : l'essence, la térébenthine, les diluants à laque, les solvants chlorés, l'ammoniaque et les détergents à usage domestique qui en contiennent. Ne jamais utiliser de solvants inflammables ou combustibles autour des coffres/placards.

Entretien

Pour obtenir des informations sur l'entretien et les réparations, y compris la commande de pièces de rechange, appelez le support technique du service après-vente de notre société au 1-800-729-3878, ou consultez notre site Web à l'adresse www.milwaukeetool.com.

ACCESOIRES

AVERTISSEMENT Modifier le coffre/placard pour accueillir d'autres accessoires peut être dangereux et entraîner des blessures ou des dommages matériels. Utiliser uniquement les accessoires spécifiquement recommandés, conformément aux instructions du fabricant.

Pour obtenir la liste complète des accessoires, reportez-vous à votre catalogue Milwaukee ou rendez-vous en ligne sur le site www.milwaukeetool.com. Pour obtenir un catalogue, communiquez avec votre distributeur ou centre de réparations local.

GARANTIE LIMITÉE À VIE - AUX ÉTATS-UNIS ET AU CANADA

Chaque coffret et armoire de rangement en acier de *MILWAUKEE* est garanti à l'acheteur d'origine seulement pour être exempt de défauts de matériaux et de fabrication. Sous réserve de certaines exceptions, *MILWAUKEE* entreprendra la réparation ou le remplacement de toute pièce du coffret ou de l'armoire qui, après examen, est avérée par *MILWAUKEE* renfermer un défaut de matériau ou de fabrication et ce pendant une période de trois (3) ans après la date d'achat. Il est nécessaire de retourner le coffret ou l'armoire au point d'achat. Une copie de la preuve d'achat doit accompagner le produit retourné. La présente garantie ne s'applique pas aux dommages que *MILWAUKEE* détermine être dus à des réparations effectuées ou tentées par toute personne autre que le personnel agréé par *MILWAUKEE*, à une mauvaise utilisation, à des modifications, à des abus, à une usure normale, à un manque d'entretien ou à un accident.

L'enregistrement de la garantie n'est pas requis pour pouvoir bénéficier de la garantie applicable à un coffret ou une armoire de rangement en acier de *MILWAUKEE*. La date de fabrication du produit sera utilisée pour déterminer la période de garantie si aucune preuve d'achat n'est fournie avec la réclamation de garantie.

Si vous pensez que votre produit présente un défaut de garantie, ou si vous avez besoin d'informations sur une pièce de service/remplacement, veuillez communiquer avec *MILWAUKEE* au **1.800.SAWDUST (1.800.729.3878)** pour les instructions.

L'ACCEPTATION DU SEUL ET EXCLUSIF RECOURS À LA RÉPARATION ET AU REMPLACEMENT DÉCRITS DES LES PRÉSENTES EST UNE CONDITION DU CONTRAT D'ACHAT D'UN QUELCONQUE PRODUIT DE *MILWAUKEE*. SI VOUS N'ACCEPTÉZ PAS CETTE CONDITION, VOUS NE DEVEZ PAS ACHETER LE PRODUIT. EN AUCUN CAS, *MILWAUKEE* NE SERA TENUE RESPONSABLE DES DOMMAGES ACCESSOIRES, SPÉCIAUX, INDIRECTS OU PUNITIFS, OU DES COÛTS, HONORAIRES D'AVOCAT, FRAIS, PERTES OU RETARDS ALLÉGUÉS ÊTRE AUSSI UNE CONSÉQUENCE DE TOUT DOMMAGE, DÉFAILLANCE OU DÉFAUT RELATIFS AU PRODUIT Y COMPRIS, MAIS SANS S'Y LIMITER, TOUTE RÉCLAMATION POUR PERTE DE PROFITS. CERTAINS ÉTATS N'AUTORISENT PAS L'EXCLUSION OU LA LIMITATION DES DOMMAGES INDIRECTS OU CONSÉCUTIFS; LA LIMITATION OU L'EXCLUSION CI-DESSUS PEUT DONC NE PAS S'APPLIQUER À VOUS. LA PRÉSENTE GARANTIE EST EXCLUSIVE ET EN LIEU ET PLACE DE TOUTE AUTRE GARANTIE EXPRESSE, ÉCRITE OU ORALE. DANS LA MESURE PERMISE PAR LA LOI, *MILWAUKEE* EXCLUT TOUTE GARANTIE IMPLICITE, Y COMPRIS, MAIS SANS S'Y LIMITER, TOUTE GARANTIE IMPLICITE DE QUALITÉ MARCHANDE OU D'ADÉQUATION À UN USAGE PARTICULIER; DANS LA MESURE OÙ CETTE RENONCIATION N'EST PAS AUTORISÉE PAR LA LOI, CES GARANTIES IMPLICITES SONT LIMITÉES À LA DURÉE DE LA GARANTIE EXPLICITE APPLICABLE TEL QUE DÉCRITE CI-DESSUS. CERTAINS ÉTATS N'AUTORISENT LES LIMITATIONS SUR LA DURÉE D'UNE GARANTIE IMPLICITE; LA LIMITATION CI-DESSUS PEUT DONC NE PAS S'APPLIQUER À VOUS. LA PRÉSENTE GARANTIE VOUS DONNE DES DROITS JURIDIQUES SPÉCIFIQUES, ET VOUS POUVEZ ÉGALEMENT AVOIR D'AUTRES DROITS QUI VARIENT D'UN ÉTAT À UN AUTRE. La présente garantie est uniquement applicable aux produits vendus aux États-Unis et au Canada.

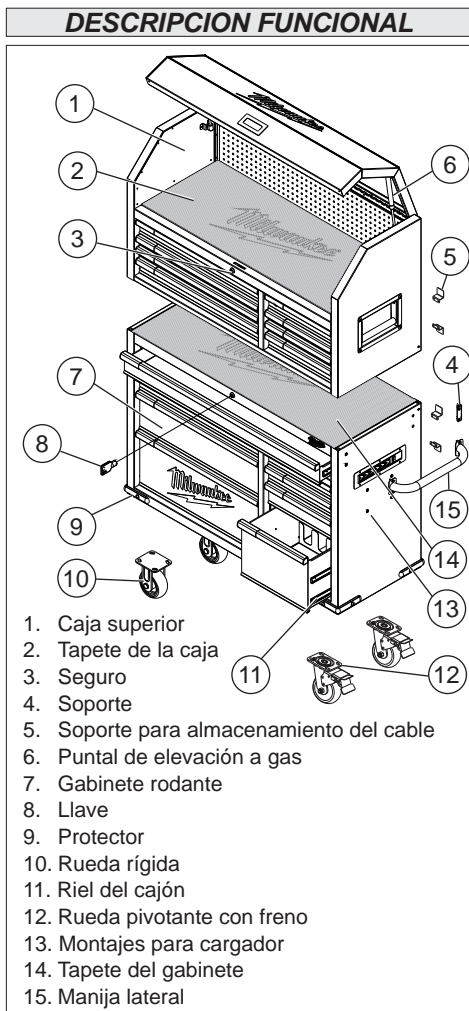
Veuillez consulter le centre de service « Trouver un service » dans la section Service et Pièces du site Web de *MILWAUKEE* (www.milwaukeetool.com) ou appelez le **1.800.SAWDUST (1.800.729.3878)** pour trouver le centre de service usine *MILWAUKEE* le plus proche de vous.

INSTRUCCIONES DE SEGURIDAD IMPORTANTES

⚠️ ADVERTENCIA LEA TODAS LAS ADVERTENCIAS E INSTRUCCIONES DE SEGURIDAD. Si no sigue todas las advertencias e instrucciones, se pueden provocar una descarga eléctrica, un incendio o lesiones graves. **Guarde todas las advertencias e instrucciones para consultarlas en el futuro.**

- **Use la caja/gabinete y los accesorios de conformidad con estas instrucciones y en la manera prevista,** tomando en cuenta las condiciones de trabajo. El uso de la caja/gabinete para operaciones diferentes a las previstas podría generar una situación peligrosa.
- **Mantenga el área de trabajo limpia y bien iluminada.** Las áreas desordenadas u oscuras son propicias para los accidentes.
- **Ensamble por completo la caja/gabinete de conformidad con las instrucciones de ensamblado.** No deben sobrar piezas.
- **La caja debe sujetarse mediante tornillos que pasan por los conectores después de que se haya colocado en la parte superior del gabinete.**
- **No modifique la caja/gabinete** de ninguna manera. Utilice únicamente los accesorios específicamente recomendados. Hacer orificios o modificar la caja/gabinete disminuirá la capacidad de carga, lo que puede ocasionar que la caja/gabinete colapse, provocando una lesión.
- **Bloquee las ruedas cuando la caja/gabinete no se vaya a mover.** Las ruedas desbloqueadas pueden permitir que la caja/gabinete se mueva inesperadamente.
- **Mantenga la caja/gabinete sobre una superficie nivelada. No cargue, descargue ni estacione la caja/gabinete en una pendiente.** La caja/gabinete puede desbalancearse y volcarse provocando lesiones.
- **Siempre equilibre la carga de la caja/gabinete para evitar volcaduras.** Las cajas/gabinetes desbalanceados son más propensos a volcarse cuando se mueven o cuando se usan sus superficies de trabajo. Distribuya uniformemente el peso del frente hacia atrás y de lado a lado. Coloque más de la mitad del peso de carga total en el gabinete inferior cuando sea posible. Para ayudar a evitar la volcadura de la caja/gabinete, cargue el producto empezando con los cajones inferiores.
- **No exceda el peso máximo del producto, incluyendo el contenido. No exceda el peso máximo para cada cajón.** Las cajas/gabinetes sobrecargados pueden volcarse, colapsarse o dañar los rieles de los cajones.
- **No abra más de un cajón a la vez.** La caja/gabinete puede volcarse provocando una lesión.
- **Mantenga alejados a los niños y transeúntes mientras carga, descarga y mueve la caja/gabinete.** Las distracciones pueden ocasionar la pérdida de control.
- **Levante la caja/gabinete únicamente de acuerdo con las instrucciones** de este manual. Otros métodos pueden ser peligrosos y resultar en lesiones.
- **Solo transporte la caja/gabinete cuando esté vacía. Asegúrela correctamente cuando la transporte.**
- **No monte la caja/gabinete en la caja de un camión ni en ningún otro objeto en movimiento.**
- **Bloquee la tapa y todos los cajones antes de rodar la caja/gabinete.** Los cajones podrían abrirse y hacer que la caja/gabinete se vuelva inestable y se vuelque.
- **Ruede la caja/gabinete únicamente en distancias cortas usando la manija que se proporciona.**
- **Asegure todos los objetos antes de rodar la caja/gabinete.** Los objetos sueltos podrían moverse, ocasionando que la caja/gabinete se vuelva inestable.
- **No use los cajones como escalones. No se pare sobre la caja/gabinete.** La caja/gabinete se volcará, provocando una lesión.
- **Tenga cuidado al cerrar la tapa superior de la caja.** Retire las manos antes de cerrar la tapa superior.
- **No utilice la caja/gabinete en atmósferas explosivas,** tales como en presencia de líquidos, gases o polvos inflamables. Este equipo tiene partes internas que producen arcos eléctricos o chispas. La caja/gabinete no debe ubicarse en un área empotrada o que esté debajo del nivel del suelo.
- **Los enchufes de la caja/gabinete deben corresponder al tomacorriente. Nunca modifique el enchufe de ninguna manera. No utilice adaptadores de enchufe con conectores múltiples aterrizados de la caja/gabinete.** Los enchufes y tomacorrientes correspondientes sin modificar reducirán el riesgo de descarga eléctrica.
- **Evite el contacto corporal con superficies aterrizadas, tales como tuberías, radiadores, estufas y refrigeradores.** Existe un riesgo mayor de descarga eléctrica si su cuerpo está aterrizado.
- **Dé mantenimiento a la caja/gabinete.** Verifique que no haya desalineación o amarre de las ruedas, rieles de cajones u otras partes rotas o dobladas y alguna otra condición que pudiera afectar el funcionamiento de la caja/gabinete. No use una caja/gabinete dañada.
- **Conserve las etiquetas y placas nominales.** Incluyen información importante. Si son ilegibles o no están presentes, comuníquese con un centro de servicio *MILWAUKEE* para obtener un reemplazo gratuito.
- **Lleve su caja/gabinete a servicio con un técnico calificado que use únicamente piezas de reemplazo idénticas.** Esto asegurará que se mantenga la seguridad de la caja/gabinete.

SIMBOLOGÍA	
	Advertencia
	Lea el manual del operador
	Riesgo de descarga eléctrica
	No abra más de un cajón a la vez. La caja/gabinete puede volcarse provocando una lesión
	Tenga cuidado al cerrar la tapa superior de la caja. Retire las manos antes de cerrar la tapa superior
	La caja debe sujetarse mediante tornillos que pasan por los conectores después de que se haya colocado en la parte superior del gabinete
	Bloquee las ruedas cuando la caja/gabinete no se vaya a mover. Las ruedas desbloqueadas pueden permitir que la caja/gabinete se mueva inesperadamente
	No use los cajones como escalones. No se pare sobre la caja/gabinete. La caja/gabinete se volcará, provocando una lesión
	Bloquee la tapa y todos los cajones antes de mover la caja/gabinete



ESPECIFICACIONES			
Cat. No.	Capacidad del cajón de dos rieles	Capacidad del cajón de cuatro rieles	Capacidad total
48-22-8510	45,4 kg (100 lbs.)	90,7 kg (200 lbs.)	816,5 kg (1800 lbs.)
48-22-8520			

TIERRA

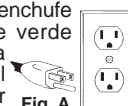
⚠ ADVERTENCIA La conexión incorrecta del cable de aterrizado puede provocar un riesgo de descarga eléctrica. Verifique con un electricista calificado si tiene alguna duda sobre si el tomacorriente está correctamente aterrizado. No modifique el enchufe que se proporciona con la caja/gabinete. Nunca elimine del enchufe la clavija que ofrece conexión a tierra. No use la caja/gabinete si el cable o el enchufe están dañados. Repare los daños antes del uso. Si el enchufe no se puede conectar al tomacorriente, pida a un electricista calificado que instale un tomacorriente adecuado.

Cajas/gabinetes con enchufes de tres clavijas
Las cajas/gabinetes marcadas con "requiere conexión a tierra" tienen un múltiple con un cable

de tres alambres y un enchufe de tres clavijas de conexión a tierra. El enchufe debe conectarse a un tomacorriente correctamente conectado a tierra (vea la Figura A). Si el múltiple tiene una falla eléctrica o se avería, la conexión a tierra proporciona una ruta de baja resistencia para alejar la electricidad del usuario y reducir el riesgo de una descarga eléctrica.

La clavija de conexión a tierra en el enchufe se conecta mediante el alambre verde dentro del cable hacia el sistema de conexión a tierra del múltiple. El alambre verde en el cable debe ser el único cable conectado al sistema de conexión a tierra del múltiple y nunca debe conectarse a una terminal alimentada.

Su múltiple debe conectarse a un tomacorriente adecuado que esté correctamente instalado y conectado a tierra en cumplimiento con todos los códigos y ordenanzas. El enchufe y el tomacorriente deben ser como los que aparecen en la Figura A.



ENSAMBLAJE

⚠ PRECAUCIÓN Asegúrese de seguir las instrucciones de ensamblado para la caja/gabinete correspondiente. No use herramientas eléctricas para ensamblar la caja/gabinete. Apriete los pernos con llaves manuales.

Herramientas requeridas



Destornillador Phillips



Lentes de seguridad



Llave de 10 mm





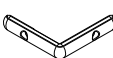



Llave de 13 mm

Tornillería incluida

NOTA: Los objetos no se muestran en su tamaño real.

Tornillería	Artículo	Descripción	Cantidad
AA		Perno M6 x 15L	4
BB		Arandela M8	16
CC		Perno M8 x 20L	16
DD		Tornillo M4 x 8L	20
EE		Tornillo M6 x 12L	8

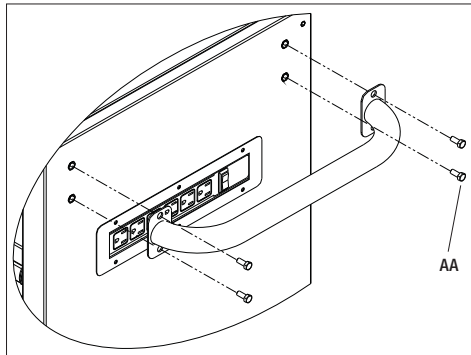
Artículo	Descripción	Cantidad
	Manija lateral	1
	Rueda pivotante con freno	2
	Rueda rígida	2
	Soporte	2
	Protector	4
	Soportes del almacenamiento del cable	4

NOTA: Empiece el ensamble del producto cerca de la ubicación final prevista de su caja/gabinete. Este producto es pesado y puede ser difícil de mover después de ensamblarlo.

Instalación de la manija lateral

Instale la manija lateral en el gabinete rodante usando cuatro pernos (AA).

NOTA: Los orificios del gabinete están roscados y no requieren tuercas.

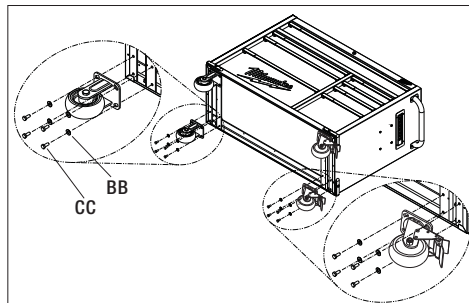


Instalación de las ruedas

PRECAUCIÓN Pueden requerirse dos personas para realizar la instalación.

PRECAUCIÓN No apriete demasiado los tornillos.

- Asegúrese de que todos los cajones del gabinete estén bloqueados firmemente en su lugar usando la chapa con llave del gabinete rodante.
- Coloque el gabinete rodante sobre su parte trasera. Use el material de embalaje para proteger el acabado.
- Monte las dos ruedas pivotantes con freno al gabinete rodante usando cuatro pernos (CC) y arandelas (BB) por rueda. Las ruedas pivotantes con freno deben instalarse en el extremo del gabinete con la manija lateral.
- Monte las dos ruedas rígidas en el extremo opuesto del gabinete rodante usando cuatro pernos (CC) y arandelas (BB) por rueda.
- Apriete todos los pernos firmemente con una llave.
- Regrese el gabinete rodante a su posición vertical.



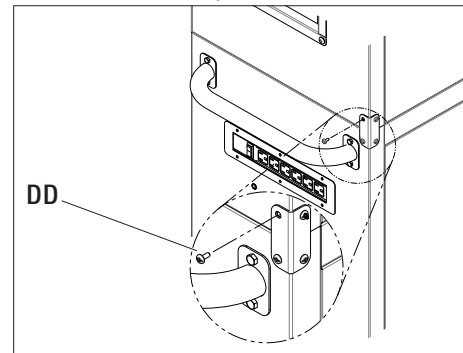
Instalación de la caja sobre el gabinete

PRECAUCIÓN Pueden requerirse dos personas para realizar la instalación.

- Retire el tapete del gabinete rodante. La caja superior no se alineará con los soportes si está colocado el tapete.
- Coloque la caja superior sobre el gabinete rodante.

NOTA: Los orificios del gabinete están roscados y no requieren tuercas.

- Coloque los dos soportes en la parte posterior del producto para asegurar la caja superior al gabinete rodante. Coloque los soportes sobre los orificios y asegúrelos con cuatro tornillos (DD) por soporte.
- Apriete todos los tornillos firmemente con un destornillador Phillips.

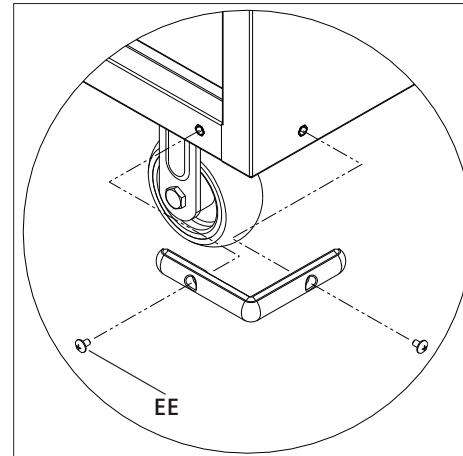


Instalación de los revestimientos de los cajones y el tapete

Coloque los revestimientos en los cajones del tamaño correspondiente y el tapete en el área de la tapa de la caja para proteger la superficie.

Instalación de los protectores

Coloque los cuatro protectores en el gabinete rodante usando dos tornillos (EE) por protector.



Instalación de los soportes del almacenamiento del cable

Instale los soportes en la parte posterior de la caja y gabinete con dos tornillos (DD) por soporte. Coloque los soportes de manera que uno esté orientado hacia arriba y el otro hacia abajo a fin de que el cable de corriente eléctrica pueda enrollarse alrededor de los soportes para su almacenamiento.

OPERACION

ADVERTENCIA Para evitar lesiones o daños a la propiedad, no supere la capacidad máxima de los anaqueles. Tenga cuidado al mover la caja/gabinete en una pendiente o superficie áspera. La caja/gabinete puede volcarse si el peso no está distribuido uniformemente del frente hacia atrás y de lado a lado. Coloque más de la mitad del peso de carga total en el gabinete inferior cuando sea posible.

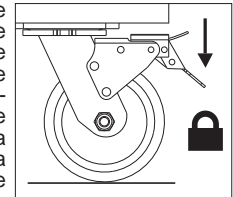
Bloqueo y desbloqueo de la caja/gabinete

NOTA: Los cajones deben cerrarse por completo antes de bloquear/desbloquear la unidad.

Inserte la llave. Gírela por completo hacia la izquierda para bloquear y completamente hacia la derecha para desbloquear. Siempre retire la llave después de bloquear y desbloquear.

Para mover la caja/gabinete sobre una pendiente o superficie áspera

Tenga cuidado de que la caja/gabinete no se vuelque o desbalancee cuando la mueva sobre una pendiente o superficie áspera. La pendiente no debe ser superior a 10 grados. Bloquee la caja/gabinete y asegure todos los objetos antes de moverla.



Uso de los frenos de las ruedas

Para bloquear las ruedas pivotantes, pise las palancas marcadas con la palabra Lock (Bloquear). Asegúrese de bloquear ambas ruedas para evitar que la caja/gabinete ruede o gire. Para desbloquear las ruedas, empuje hacia abajo las palancas marcadas con la palabra Unlock (Desbloquear).

Para rodar la caja/gabinete

La caja/gabinete está diseñada para rodar únicamente distancias cortas. Solo ruede la caja/gabinete usando la manija. No empuje ni jale el armazón de la caja/gabinete para moverla pues el producto puede volcarse. No modifique la caja/gabinete de ninguna manera. Hacer orificios o modificar la caja/gabinete disminuirá la capacidad de carga, lo que puede ocasionar que la caja/gabinete colapse, provocando una lesión. Bloquee la caja/gabinete y asegure todos los objetos antes de rodarla.

Levantamiento de la caja/gabinete

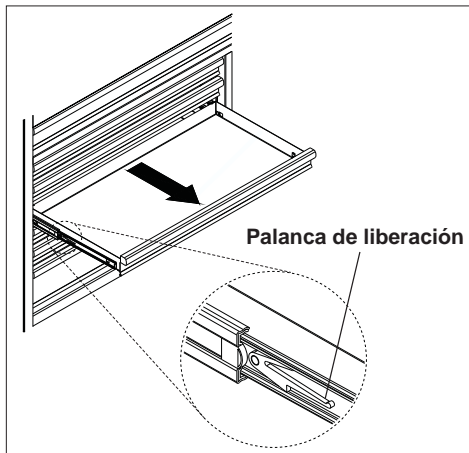
El gabinete y la combinación de caja/gabinete no están diseñados para levantarse. Sin embargo, si necesita levantarlos, vacíe la caja/gabinete y luego coloque correas o una horquilla dentro y junto a las ruedas. No levante cajas/gabinetes cargadas. Asegúrese de que todos los transeúntes estén alejados antes de levantar la caja/gabinete.

Montaje de cargadores

El gabinete rodante viene equipado con cuatro barras de montaje para cargador preinstaladas, ubicadas abajo del tomacorriente múltiple. Los montajes para cargador son adecuados para sostener cargadores de voltajes múltiples MILWAUKEE M18™ y M12™, así como cargadores M18™. Para montar un cargador, instale un tornillo (DD) en cada barra, luego deslice las ranuras en forma de ojo de cerradura del cargador sobre los tornillos. Deslice el cargador hacia el piso para trabajarlo sobre los tornillos.

Cómo retirar los cajones

1. Extienda por completo y vacíe el cajón.
2. Dependiendo del lado, levante o baje la palanca de liberación en ambos lados para que los rieles puedan brincar los topes. Tire para retirar.



Instalación de los cajones

1. Jale los rieles y el portarriel hacia afuera hasta que estén completamente extendidos.
2. Sostenga el riel del gabinete mientras lo alinea con el riel del cajón.
3. Inserte ligeramente un lado y repita con el otro lado.
4. Empuje lentamente el cajón hasta que esté completamente cerrado y enganchado con el riel.
5. Abra y cierre el cajón para comprobar una operación correcta.

MANTENIMIENTO

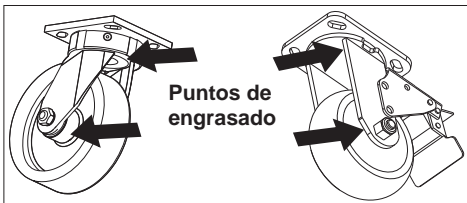
⚠️ ADVERTENCIA Para reducir el riesgo de lesiones, comuníquese con Soporte Técnico Corporativo Post Venta de MILWAUKEE para TODAS las solicitudes de reparación y piezas de reemplazo.

Mantenimiento de la caja/gabinete

Mantenga su caja/gabinete en buenas condiciones adoptando un programa periódico de mantenimiento. Antes de usarla, examine la condición general de su caja/gabinete. Verifique que no haya tornillos sueltos, desalineación, amarre de las ruedas, piezas rotas y cualquier otra condición que pudiera afectar su operación segura. No use una caja/gabinete dañada.

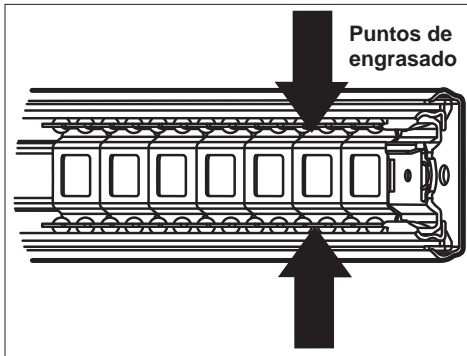
Mantenimiento de las ruedas

Engrase las ruedas anualmente usando una grasa para rodamientos de alta calidad.



Mantenimiento de los cajones

1. Limpie periódicamente los acabados de los cajones y el interior de los mismos con un detergente suave y agua.
2. Retire la grasa y el aceite del cajón con un líquido de limpieza estándar no inflamable.
3. Se recomienda usar los revestimientos de los cajones para proteger el acabado del interior de los cajones y facilitar la limpieza de los mismos. Los revestimientos de los cajones pueden limpiarse con jabón y agua.
4. Lubrique los rieles dos veces al año con grasa de uso general o su equivalente.



Limpieza

Este producto de acero se ha recubierto con una pintura electrostática industrial para un acabado duradero. Para ayudar a proteger el acabado de la pintura electrostática, no permita que permanezcan químicos agresivos (aceite, grasa u otros químicos) en la superficie de la pintura. Use un limpiador de vidrio para limpiar y mantener todas las superficies de la pintura electrostática. Mantenga las manijas de la caja/gabinete y las ruedas limpias, secas y libres de aceite o grasa. Use solamente jabón suave y un paño húmedo para limpiar la caja/gabinete, puesto que ciertos agentes de limpieza y solventes son dañinos para los plásticos. Algunos de estos incluyen la gasolina, trementina, adelgazador de barniz, solventes de limpieza con cloro, amoníaco y detergentes caseros que contienen amoníaco. Nunca use solventes inflamables o combustibles alrededor de las cajas/gabinetes.

Servicio

Para información sobre el servicio y reparación, incluyendo los pedidos para partes de reemplazo, llame a nuestra línea de Soporte Técnico Corporativo Post Venta al 1-800-729-3878, o visite nuestro sitio web www.milwaukeetool.com.

ACCESORIOS

⚠️ ADVERTENCIA Modificar la caja/gabinete para adaptar otros accesorios puede ser peligroso, pues puede resultar en lesiones o daños a la propiedad. Use únicamente los accesorios específicamente recomendados de acuerdo con las instrucciones del fabricante.

Para una lista completa de los accesorios consulte su catálogo de MILWAUKEE o visítenos en línea www.milwaukeetool.com. Para obtener un catálogo, comuníquese con su distribuidor local o centro de servicio.

GARANTÍA LIMITADA DE POR VIDA - E.U.A. Y CANADÁ

Las garantías de todas las cajas y gabinetes de almacenamiento de acero MILWAUKEE son para el comprador original y únicamente por defectos en materiales y mano de obra. Sujeto a ciertas excepciones, MILWAUKEE reparará o reemplazará cualquier parte de una caja o gabinete que tenga defectos de material o mano de obra según lo determine MILWAUKEE mediante una revisión, por un periodo de tres (3) años después de la fecha de compra. Se requiere devolver la caja o gabinete al lugar de compra. Se debe incluir una copia del comprobante de compra con el producto devuelto. Esta garantía no aplica a daños que MILWAUKEE determine que son ocasionados por reparaciones o intentos de reparaciones realizados por una persona que no sea personal autorizado de MILWAUKEE, uso indebido, alteraciones, maltrato, desgaste normal, falta de mantenimiento o accidentes.

No se requiere el registro de la garantía para obtener la garantía correspondiente de una caja o gabinete de almacenamiento MILWAUKEE. La fecha de manufactura del producto se utilizará para determinar el periodo de garantía si no se proporciona comprobante de compra al solicitar el servicio en garantía.

Si considera que su producto tiene un defecto cubierto por la garantía o si necesita información sobre una pieza de servicio/reemplazo, comuníquese con MILWAUKEE al **1.800.SAWDUST (1.800.729.3878)** para recibir instrucciones.

LA ACEPTACIÓN DE LOS REMEDIOS EXCLUSIVOS DE REPARACIÓN Y REEMPLAZO AQUÍ DESCRITOS ES UNA CONDICIÓN DEL CONTRATO PARA LA COMPRA DE TODO PRODUCTO DE MILWAUKEE. SI USTED NO ACEPTA ESTA CONDICIÓN, NO DEBE COMPRAR EL PRODUCTO. MILWAUKEE NO SERÁ RESPONSABLE EN NINGÚN CASO DE DAÑOS INCIDENTALES, ESPECIALES, EMERGENTES O PUNITIVOS NI DE NINGÚN COSTO, HONORARIOS LEGALES, GASTOS, PÉRDIDAS O DEMORAS ALEGADOS COMO CONSECUENCIA DE ALGÚN DAÑO, FALLA O DEFECTO EN NINGÚN PRODUCTO, INCLUYENDO, ENTRE OTROS, RECLAMACIONES POR PÉRDIDA DE UTILIDADES, ALGUNOS ESTADOS NO PERMITEN LA EXCLUSIÓN O LIMITACIÓN DE RESPONSABILIDAD POR DAÑOS INCIDENTALES O EMERGENTES, POR LO QUE LA ANTERIOR LIMITACIÓN O EXCLUSIÓN PODRÍA NO APLICARSE EN SU CASO. ESTA GARANTÍA ES EXCLUSIVA Y REEMPLAZA TODAS LAS DEMÁS GARANTÍAS EXPRESAS, ESCRITAS U ORALES. EN LA MEDIDA EN QUE LO PERMITA LA LEY, MILWAUKEE DESCONOCE CUALQUIER GARANTÍA IMPLÍCITA, INCLUYENDO SIN LIMITACIÓN CUALQUIER GARANTÍA IMPLÍCITA DE COMERCIABILIDAD O IDONEIDAD PARA UN FIN O USO ESPECÍFICO; EN LA MEDIDA EN QUE DICHO DESCONOCIMIENTO NO SEA PERMITIDO POR LA LEY, DICHAS GARANTÍAS IMPLÍCITAS SE LIMITAN A LA DURACIÓN DE LA GARANTÍA EXPRESA CORRESPONDIENTE SEGÚN SE DESCRIBIÓ ANTERIORMENTE. ALGUNOS ESTADOS NO PERMITEN LIMITACIONES SOBRE LA DURACIÓN DE UNA GARANTÍA IMPLÍCITA, POR LO QUE LA ANTERIOR LIMITACIÓN PODRÍA NO APLICARSE A USTED. ESTA GARANTÍA LE DA DERECHOS LEGALES ESPECÍFICOS Y USTED PODRÍA ADEMÁS TENER OTROS DERECHOS QUE VARIAN DE UN ESTADO A OTRO.

Esta garantía aplica a productos vendidos en los Estados Unidos y en Canadá únicamente. Consulte la Búsqueda de Centros de Servicio en la sección de Refacciones y Servicio del sitio web de MILWAUKEE www.milwaukeetool.com o llame al **1.800.SAWDUST (1.800.729.3878)** para localizar el Centro de Servicio de fábrica MILWAUKEE más cercano a usted.

UNITED STATES MILWAUKEE Service

MILWAUKEE prides itself in producing a premium quality product that is NOTHING BUT HEAVY DUTY®. Your satisfaction with our products is very important to us! If you encounter any problems with the operation of this tool, or you would like to locate the *factory* Service/Sales Support Branch or *authorized service station* nearest you, please call...

Additionally, we have a nationwide network of *authorized* Distributors ready to assist you with your tool and accessory needs. Check your "Yellow Pages" phone directory under "Tools-Electric" for the names & addresses of those nearest you or see the 'Where To Buy' section of our website.

1-800-SAWDUST

(1.800.729.3878)

Monday-Friday
7:00 AM - 6:30 PM

Central Time
or visit our website at

www.milwaukeetool.com

For service information, use the 'Service Center Search' icon found in the 'Parts & Service' section.

Contact our Corporate After Sales Service Technical Support about ...

- Technical Questions
- Service/Repair Questions
- Warranty

call: 1-800-SAWDUST

fax: 1.800.638.9582

email: metproductsupport@milwaukeetool.com

Register your tool online at www.milwaukeetool.com and...

- receive important notifications regarding your purchase
- ensure that your tool is protected under the warranty
- become a HEAVY DUTY club member

CANADA - Service MILWAUKEE

MILWAUKEE prides itself in producing a premium quality product that is NOTHING BUT HEAVY DUTY®. Your satisfaction with our products is very important to us!

If you encounter any problems with the operation of this tool, or you would like to locate the *factory* Service/Sales Support Branch or *authorized service station* nearest you, please call...

1.800.268.4015

Monday – Friday 7:00 – 4:30 CST

fax: 866.285.9049

Milwaukee Electric Tool (Canada) Ltd

140 Fernstaff Court, Unit 4 18129 111 Avenue NW
Vaughan, ON L4K 3L8 Edmonton, AB T5S 2P2

Additionally, we have a nationwide network of *authorized* Distributors ready to assist you with your tool and accessory needs. Call 1.800.268.4015 to find the names and addresses of the closest retailers or consult "Where to buy" on our Web site www.milwaukeetool.com

MILWAUKEE est fier de proposer un produit de première qualité NOTHING BUT HEAVY DUTY®. Votre satisfaction est ce qui compte le plus!

En cas de problèmes d'utilisation de l'outil ou pour localiser le centre de service/ventes ou le *centre d'entretien* le plus proche, appelez le...

1.800.268.4015

Lundi – Vendredi 7:00 – 4:30 CST

fax: 866.285.9049

Milwaukee Electric Tool (Canada) Ltd

140 Fernstaff Court, Unit 4 18129 111 Avenue NW
Vaughan, ON L4K 3L8 Edmonton, AB T5S 2P2

Notre réseau national de distributeurs *agréés* se tient à votre disposition pour fournir l'aide technique, l'outillage et les accessoires nécessaires. Composez le 1.800.268.4015 pour obtenir les noms et adresses des revendeurs les plus proches ou bien consultez la section «Où acheter» sur notre site web à l'adresse www.milwaukeetool.com

MILWAUKEE ELECTRIC TOOL CORPORATION
13135 West Lisbon Road • Brookfield, Wisconsin, U.S.A. 53005