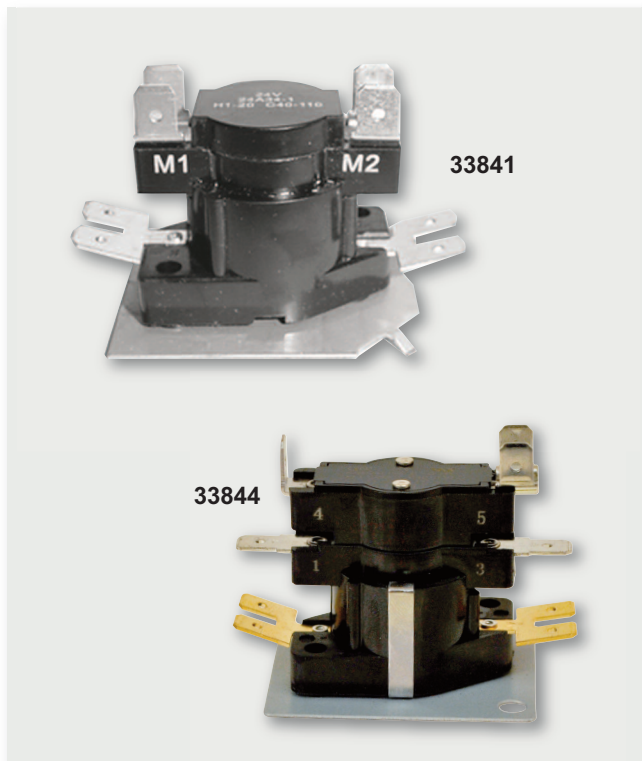


# Sequencers

MARS SERIES **338**



## Electric Heat Sequencers

The MARS heat sequencers are used in a variety of applications, including electric furnaces, baseboard heaters, heat pump blower control and heating element control. The sequencers stage electric heat to prevent circuit overload. These units operate by means of a PTC (positive temperature coefficient). The PTC is self current limiting, ensuring stable switching action over a wide range of voltages.

### Features:

- Solid state dependability
- Replaces Honeywell, White Rodgers, and Klixon
- 12.5A to 25A contact ratings
- Quick connect terminals
- Various mounting positions
- Shock & vibration resistant
- Ambient rated from -50°F to 165°F
- Full-load rated auxiliary contacts

## Single Load Contact Ratings

RESISTIVE (non-inductive)			MOTOR RATINGS (inductive)		
VAC	WATTS	AMPS	FULL LOAD	LOCKED ROTOR	PILOT DUTY
120	3000	25	10A	60A	125VA
240	6000	25	5A	30A	125VA
480	6000	12.5	3A	18A	480VA

Combined Load Ratings:

30A @ 240VAC - Total: 23A non-inductive + 7FLA / 42LRA inductive

Life at rated current: 10,000 cycles

MARS NO.	TIMINGS	SWITCHES	TIMINGS-ON					TIMINGS-OFF				
			M1-M2	M3-M4	M5-M6	M7-M8	M9-M10	M1-M2	M3-M4	M5-M6	M7-M8	M9-M10
33841	1	1	1-20	-	-	-	-	40-110	-	-	-	-
33842	1	1	-	-	30-90	-	-	-	■	-	1-30	-
33844 <sup>(1)</sup>	1	2	1-20	■ 1-20	-	-	-	40-110	■ 40-110	-	■	-
33845	1	2	-	-	30-90	■ 30-90	-	-	■	-	1-30	■ 1-30
33832 <sup>(1)</sup>	2	3	1-110	■ 1-110	1-110	■	-	1-110	■	1-110	■	-
33833 <sup>(1)</sup>	2	4	1-110	■ 1-110	1-110	■ 1-110	-	1-110	■	1-110	1-110	■ 1-110
33848 <sup>(1)(2)</sup>	4	5	1-160	■ 1-160	1-160	1-110	1-160	1-160	■	1-160	1-160	■ 1-160

(1) M1-M2 and M3-M4 are always first switches to turn ON and to turn OFF. All other switches are random ON and random OFF

(2) #33848 - switch contacts designated F1-F2 instead of M1-M2

■ These contacts switch simultaneously

ON TIME – Elapsed time to make contacts after heater is energized (Min. to Max.)

OFF TIME – Elapsed time to make contacts after heater is de-energized (Min. to Max.)

OFF Timings determined after PTC heater has been electrified for a total of 5 minutes.