

Liberty Pumps®

NEW!

Pro380-SD Series

**Side
Discharge**

**Simplex
Sewage
Package**

Features:

- Large 41 gallon capacity for longer pump cycles
- Shallow 24" basin for easier burial in difficult soil conditions
- Durable polyethylene basin
 - Anti-flotation collar
- Molded torque stops securely retain pump
 - Integrally molded handles
- Heavy-duty polyethylene cover
- Completely assembled from factory
 - Available with LE40 and LE50-Series pumps
- Union disconnect for easy serviceability
- Heavy schedule 80 PVC discharge pipe (schedule 40 tee, union and elbow)
 - 2" Electrical conduit hub
 - 4" No-hub type inlet
- Stainless steel cover bolts



innovate. evolve.

Pro380-SD Series

Residential Simplex Sewage Package

Side Discharge

The Pro380 side discharge series provides a professional sewage system for use in outdoor installations where the burial of electrical lines and piping is preferred. The shallow designed tank allows for easier installation without compromising overall tank capacity – a total of 41 gallons. This

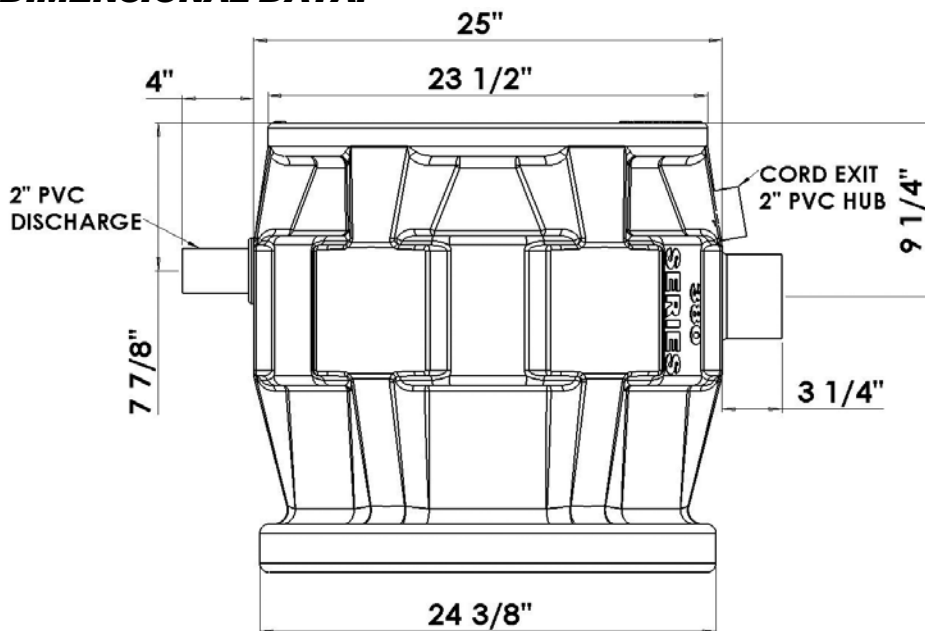
provides longer pump cycles that extend the life of the system. Other professional features include molded torque stops for pump security, schedule 80 PVC discharge piping and a pre-installed union for easy pump removal.

MODELS	HP	VOLTS	PHASE	DISCHARGE Size	CORD LENGTH	ALARM	WEIGHT LBS.
P382LE41SD-2	4/10	115	1	2"	25'	NO	67
P382LE41SD-2/A2W	4/10	115	1	2"	25'	YES	71
P382LE51SD-2	1/2	115	1	2"	25'	NO	70
P382LE51SD-2/A2W	1/2	115	1	2"	25'	YES	74

Order any of the above models with the ALM-2W outdoor alarm. Alarm float comes pre-mounted at the proper level. Alarm panel is packaged with unit. Order "/A2W". See specific LE-Series literature for complete pump performance and specifications. See ALM-2W literature for alarm specifications. Consult factory for proper pump sizing.



DIMENSIONAL DATA:



US Certified Pump

Specifications are subject to change without notice.