



325 COMMERCE DRIVE
 MT VERNON, OH 43050
 800-253-8236

SPECIFICATION DATA SHEET

DATE: 7-22-13 PAGE: 1
 PREPARED BY: RL

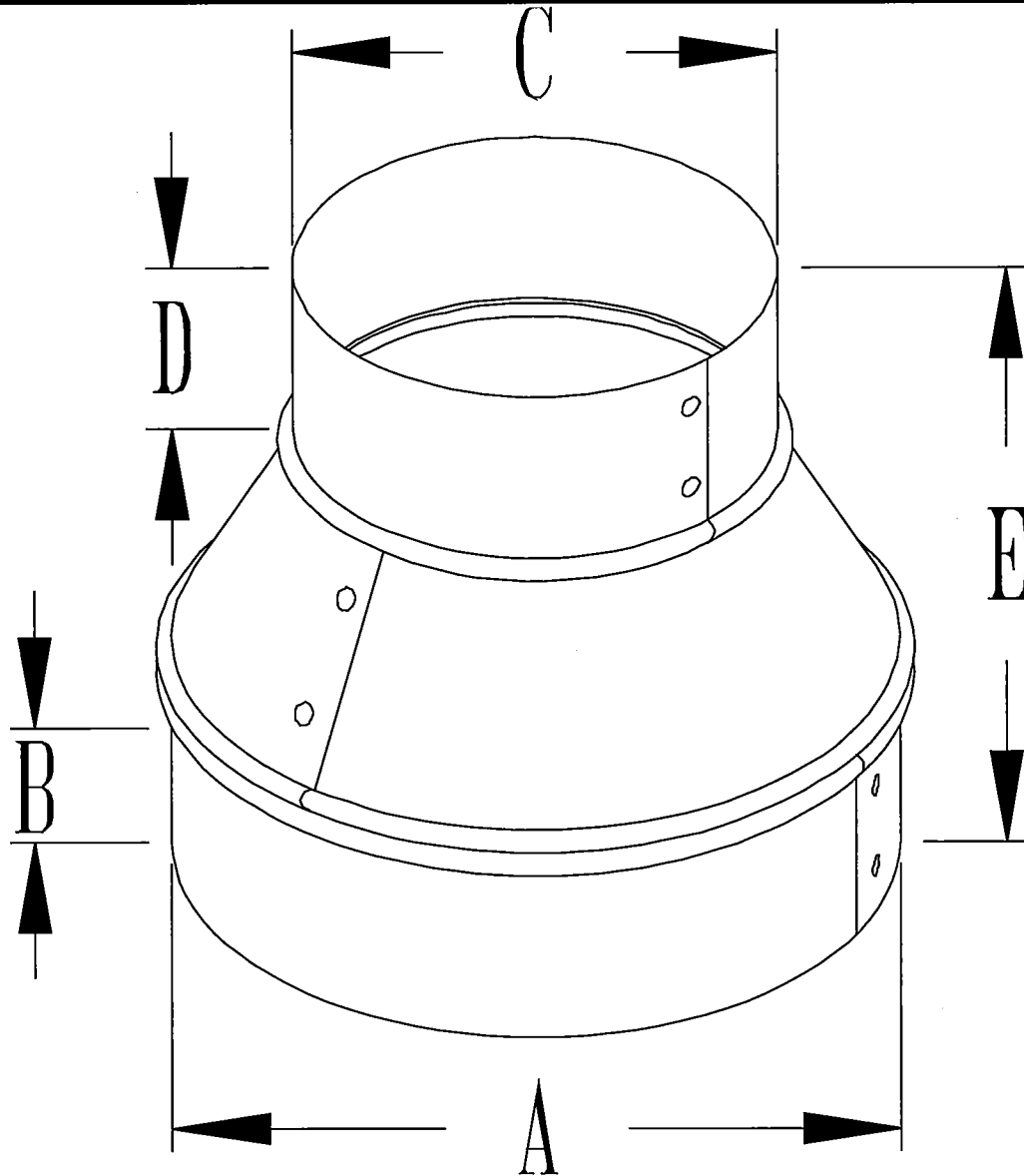
MODEL NO. 9431

PVC SPIRAL TAPERED REDUCER W/O CRIMP

STANDARD MODEL

DIMENSIONS

SIZE	A	B	C	D	E	Gauges Avail.
6X4	6"	2 1/4"	4"	2 1/4"	6 1/2"	24,26
6X5	6"	2 1/4"	5"	2 1/4"	6 1/2"	24,26
7X6	7"	2 1/4"	6"	2 1/4"	6"	24,26
8X6	8"	2 1/4"	6"	2 1/4"	6 1/2"	24,26
8X7	8"	2 1/4"	7"	2 1/4"	6 1/2"	24,26
9X8	9"	2 1/4"	8"	2 1/4"	6 1/4"	24
10X6	10"	2 1/4"	6"	2 1/4"	8"	24
10X7	10"	2 1/4"	7"	2 1/4"	8"	24
10X8	10"	2 1/4"	8"	2 1/4"	7"	24
10X9	10"	2 1/4"	9"	2 1/4"	6 1/4"	24
12X6	12"	2 1/4"	6"	2 1/4"	9"	24
12X7	12"	2 1/4"	7"	2 1/4"	8 1/8"	24
12X8	12"	2 1/4"	8"	2 1/4"	8"	24
12X9	12"	2 1/4"	9"	2 1/4"	8"	24
12X10	12"	2 1/4"	10"	2 1/4"	7"	24
14X8	14"	2 1/4"	8"	2 1/4"	9"	24
14X10	14"	2 1/4"	10"	2 1/4"	8"	24



MATERIAL SPECIFICATIONS

HOT DIPPED GALVANIZED STEEL.
 WITH A 4 MIL. POLYVINYL COATING
 HEAVY GAUGE CONSTRUCTION
 ASSEMBLED WITH 1/8" STAINLESS STEEL RIVETS.

OPTIONS

JOB: _____
 LOCATION: _____
 CONTRACTOR: _____
 ENGINEER: _____
 NOTES: _____



325 COMMERCE DRIVE
 MT VERNON, OH 43050
 800-253-8236

SPECIFICATION DATA SHEET

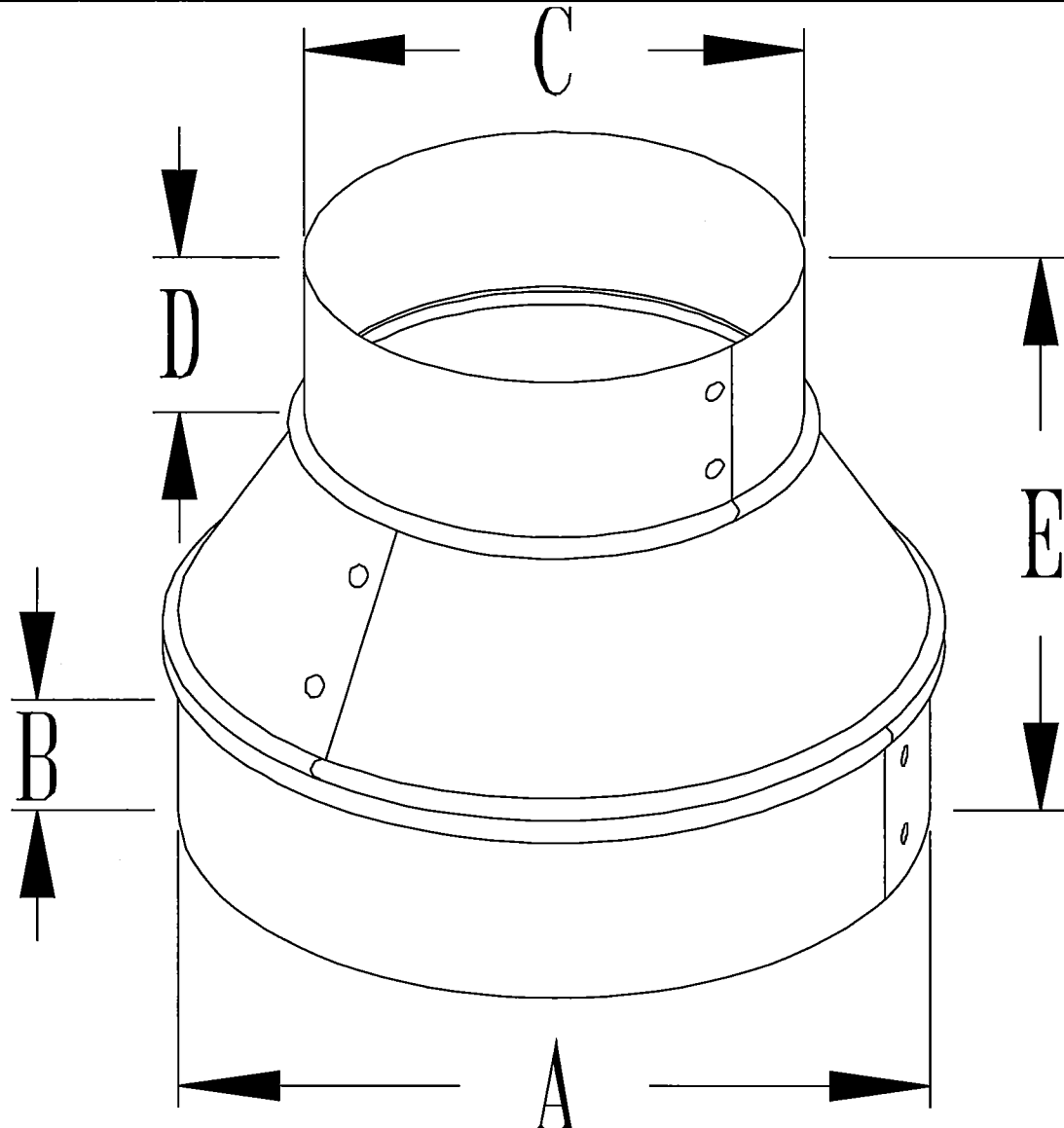
DATE: 7-22-13 PAGE: 2
 PREPARED BY: RL

MODEL NO. 9431

PVC SPIRAL TAPERED REDUCER W/O CRIMP
 STANDARD MODEL

DIMENSIONS

SIZE	A	B	C	D	E	Gauges Avail.
14X12	14"	2 1/4"	12"	2 1/4"	7"	24
16X10	16"	2 1/4"	10"	2 1/4"	9"	24
16X12	16"	2 1/4"	12"	2 1/4"	8"	24
16X14	16"	2 1/4"	14"	2 1/4"	7"	24
18X12	18"	2 1/4"	12"	2 1/4"	9"	22
18X14	18"	2 1/4"	14"	2 1/4"	8"	22
18X16	18"	2 1/4"	16"	2 1/4"	7"	22
20X14	20"	2 1/4"	14"	2 1/4"	9"	22
20X16	20"	2 1/4"	16"	2 1/4"	8"	22
20X18	20"	2 1/4"	18"	2 1/4"	7"	22
22X16	22"	2 1/4"	16"	2 1/4"	9"	22
22X18	22"	2 1/4"	18"	2 1/4"	7 3/4"	22
22X20	22"	2 1/4"	20"	2 1/4"	7"	22
24X18	24"	2 1/4"	18"	2 1/4"	9"	22
24X20	24"	2 1/4"	18"	2 1/4"	9"	22
24X22	24"	2 1/4"	20"	2 1/4"	4"	22
26X22	26"	2 1/4"	22"	2 1/4"	8 1/4"	22



MATERIAL SPECIFICATIONS

HOT DIPPED GALVANIZED STEEL.
 WITH A 4 MIL. POLYVINYL COATING
 HEAVY GAUGE CONSTRUCTION
 ASSEMBLED WITH 1/8" STAINLESS STEEL RIVETS.

OPTIONS

JOB: _____
 LOCATION: _____
 CONTRACTOR: _____
 ENGINEER: _____
 NOTES: _____