



325 COMMERCE DRIVE  
 MT VERNON, OH 43050  
 800-253-8236

**SPECIFICATION DATA SHEET**

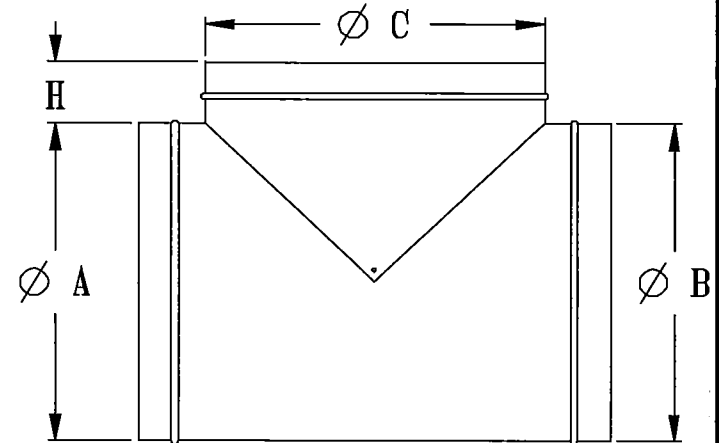
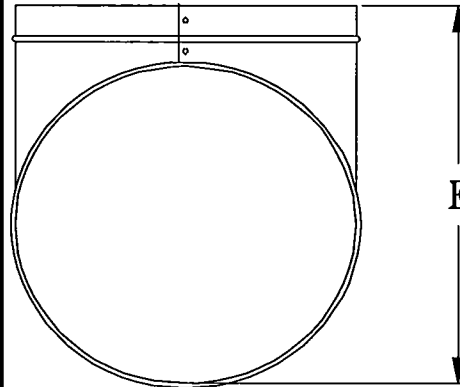
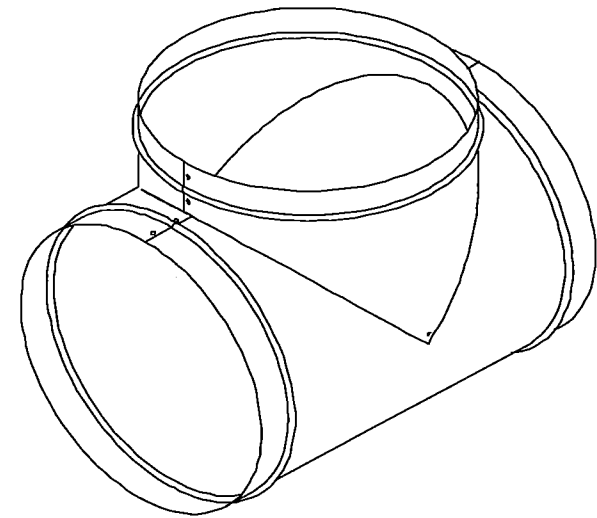
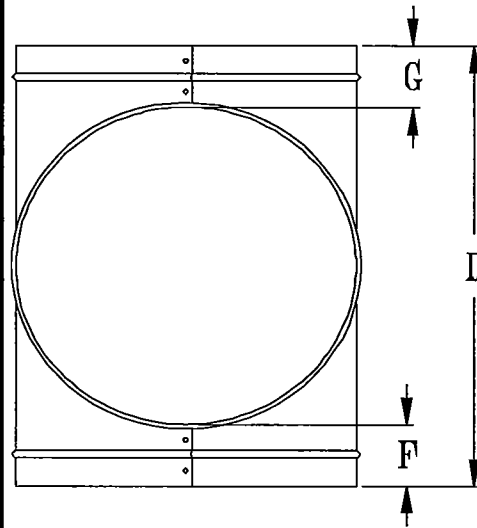
DATE: 7-22-13  
 PREPARED BY: RL

**MODEL NO. 9424  
 PVC SPIRAL ROUND TEE**

STANDARD MODEL

**DIMENSIONS**

SIZE	A	B	C	D	E	F	G	H
4"	4"	4"	4"	11"	7 1/2"	3 1/2"	3 1/2"	3 1/2"
6"	6"	6"	6"	13"	9 1/2"	3 1/2"	3 1/2"	3 1/2"
7"	7"	7"	7"	14"	10 1/2"	3 1/2"	3 1/2"	3 1/2"
8X8X6	8"	8"	6"	13"	9 1/2"	3 1/2"	3 1/2"	3 1/2"
8X8X7	8"	8"	7"	13"	10"	3"	3"	3"
8"	8"	8"	8"	15"	11 1/2"	3 1/2"	3 1/2"	3 1/2"
9X9X6	9"	9"	6"	11"	8 1/2"	2 1/2"	2 1/2"	2 1/2"
10X10X6	10"	10"	6"	13"	9 1/2"	3 1/2"	3 1/2"	3 1/2"
10X10X7	10"	10"	7"	12"	9 1/2"	2 1/2"	2 1/2"	2 1/2"
10"	10"	10"	10"	17"	13 1/2"	3 1/2"	3 1/2"	3 1/2"
12X12X6	12"	12"	6"	13"	9 1/2"	3 1/2"	3 1/2"	3 1/2"
12X12X7	12"	12"	7"	12"	9 1/2"	2 1/2"	2 1/2"	2 1/2"
12X12X8	12"	12"	8"	15"	11 1/2"	3 1/2"	3 1/2"	3 1/2"
12"	12"	12"	12"	19"	15 1/2"	3 1/2"	3 1/2"	3 1/2"
14X14X6	14"	14"	6"	13"	9 1/2"	3 1/2"	3 1/2"	3 1/2"
14X14X7	14"	14"	7"	12"	9 1/2"	2 1/2"	2 1/2"	2 1/2"
14X14X10	14"	14"	10"	17"	13 1/2"	3 1/2"	3 1/2"	3 1/2"
14X14X12	14"	14"	12"	19"	15 1/2"	3 1/2"	3 1/2"	3 1/2"
14"	14"	14"	14"	21"	17 1/2"	3 1/2"	3 1/2"	3 1/2"
16X16X6	16"	16"	6"	11"	8 1/2"	2 1/2"	2 1/2"	2 1/2"
16X16X7	16"	16"	7"	12"	9 1/2"	2 1/2"	2 1/2"	2 1/2"
16"	16"	16"	16"	23"	19 1/2"	3 1/2"	3 1/2"	3 1/2"
18"	18"	18"	18"	25"	21 1/2"	3 1/2"	3 1/2"	3 1/2"
20"	20"	20"	20"	27"	23 1/2"	3 1/2"	3 1/2"	3 1/2"
22"	22"	22"	22"	29"	25 1/2"	3 1/2"	3 1/2"	3 1/2"
24"	24"	24"	24"	31"	27 1/2"	3 1/2"	3 1/2"	3 1/2"



**MATERIAL SPECIFICATIONS**

HOT DIPPED GALVANIZED STEEL.  
 WITH A 4 MIL. POLYVINYL COATING

4" - 8" = 26 GAUGE  
 9" - 16" = 24 GAUGE  
 18" & UP = 22 GAUGE

CONSULT SMACNA DUCT CONSTRUCTION  
 MANUAL FOR CORRECT GAUGE FOR YOUR  
 APPLICATION.

ASSEMBLED WITH 1/8" STAINLESS STEEL RIVETS.

**OPTIONS**

JOB: \_\_\_\_\_  
 LOCATION: \_\_\_\_\_  
 CONTRACTOR: \_\_\_\_\_  
 ENGINEER: \_\_\_\_\_  
 NOTES: \_\_\_\_\_