



325 COMMERCE DRIVE
 MT VERNON, OH 43050
 800-253-8236

SPECIFICATION DATA SHEET

DATE: 7-18-13
 PREPARED BY: RL

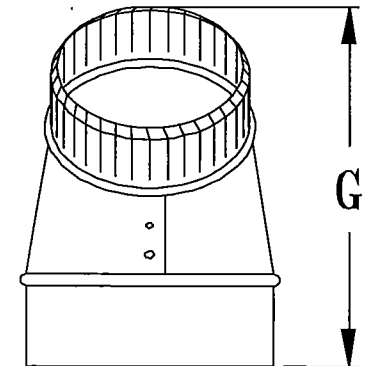
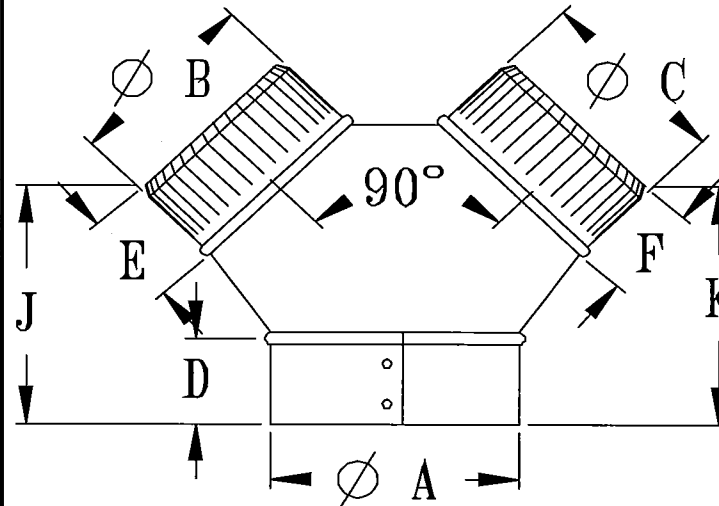
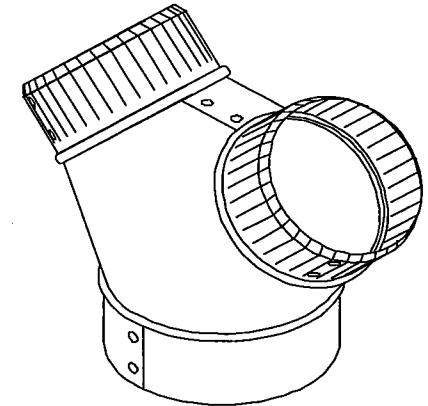
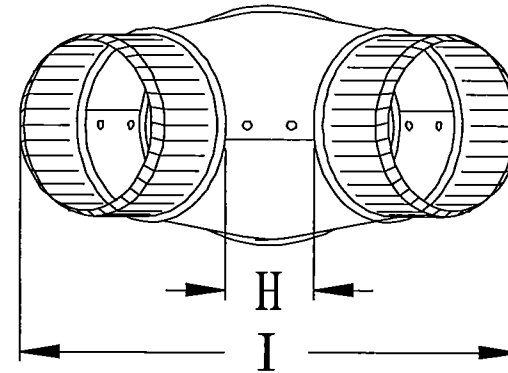
MODEL NO. 643

WYE

STANDARD MODEL

DIMENSIONS

SIZE										
A	B	C	D	E	F	G	H	I	J	K
12" x 6" x 6"	2 1/4"	2 1/4"	2 1/4"	11 11/16"	11 9/16"	22 15/16"	7 7/16"	7 7/16"		
12" x 7" x 7"	2 1/4"	2 1/4"	2 1/4"	13 9/16"	7 1/2"	20 1/4"	8 5/8"	8 5/8"		
12" x 8" x 8"	2 1/4"	2 1/4"	2 1/4"	11 1/4"	3"	17 3/16"	5 9/16"	5 9/16"		
12" x 9" x 9"	2 1/4"	2 1/4"	2 1/4"	13 3/16"	2 11/16"	18 1/4"	6 7/16"	6 7/16"		
12" x 10" x 7"	2 1/4"	2 1/4"	2 1/4"	13 9/16"	4 1/4"	19 1/8"	6 1/2"	8 5/8"		
12" x 10" x 8"	2 1/4"	2 1/4"	2 1/4"	13 9/16"	4 1/4"	19 13/16"	6 1/2"	7 15/16"		
12" x 10" x 10"	2 1/4"	2 1/4"	2 1/4"	13 9/16"	2"	19"	6 1/2"	6 1/2"		
12" x 12" x 6"	2 1/4"	2 1/4"	2 1/4"	16 3/8"	6 1/2"	22 1/16"	7 15/16"	12 1/8"		
12" x 12" x 7"	2 1/4"	2 1/4"	2 1/4"	16 3/8"	5 1/2"	21 3/4"	8"	11 7/16"		
12" x 12" x 8"	2 1/4"	2 1/4"	2 1/4"	16 3/8"	4 1/2"	21 1/2"	7 15/16"	10 3/4"		
12" x 12" x 10"	2 1/4"	2 1/4"	2 1/4"	16 3/8"	5 9/16"	23 15/16"	7 15/16"	9 5/16"		
12" x 12" x 12"	2 1/4"	2 1/4"	2 1/4"	16 3/8"	2"	21 13/16"	7 151/16"	7 15/16"		
14" x 8" x 8"	2 1/4"	2 1/4"	2 1/4"	12 5/8"	9 3/4"	23 7/8"	6 15/16"	6 15/16"		
14" x 10" x 10"	2 1/4"	2 1/4"	2 1/4"	13 5/16"	3"	20"	6 1/4"	6 1/4"		
14" x 12" x 8"	2 1/4"	2 1/4"	2 1/4"	15 3/8"	6 1/4"	23 1/4"	6 7/8"	9 3/4"		
14" x 12" x 10"	2 1/4"	2 1/4"	2 1/4"	15 3/8"	4 1/4"	22 5/8"	6 7/8"	8 5/16"		
14" x 12" x 12"	2 1/4"	2 1/4"	2 1/4"	15 3/8"	2"	21 13/16"	6 7/8"	6 7/8"		
14" x 14" x 14"	2 1/4"	2 1/4"	2 1/4"	17 3/4"	2"	24 5/8"	7 13/16"	7 13/16"		
16" x 10" x 10"	2 1/4"	2 1/4"	2 1/4"	12 7/8"	4"	21"	5 13/16"	5 13/16"		
16" x 12" x 12"	2 1/4"	2 1/4"	2 1/4"	15 3/8"	2"	21 13/16"	6 7/8"	6 7/8"		
16" x 14" x 14"	2 1/4"	2 1/4"	2 1/4"	17 3/4"	2"	24 5/8"	7 13/16"	7 13/16"		



MATERIAL SPECIFICATIONS

HOT DIPPED GALVANIZED STEEL.
 PER ASTM A 653 CSB.

ASSEMBLED WITH 1/8" ZINC COATED RIVETS.

BODIES: COLLAR ON "A" DIMENSION 12" = 28 GAUGE MINIMUM
 COLLAR ON "A" DIMENSION 14" & UP = 26 GAUGE MINIMUM

12" COLLAR ON "A" DIMENSION = 28 GAUGE MINIMUM
 14" & UP COLLAR ON "A" DIMENSION = 26 GAUGE MINIMUM

OPTIONS

HEAVIER GAUGES AVAILABLE

AVAILABLE WITHOUT CRIMP
 AVAILABLE ALL CRIMP

JOB: _____
 LOCATION: _____
 CONTRACTOR: _____
 ENGINEER: _____
 NOTES: _____