



325 COMMERCE DRIVE
 MT VERNON, OH 43050
 800-253-8236

SPECIFICATION DATA SHEET

DATE: 7-18-13
 PREPARED BY: RL

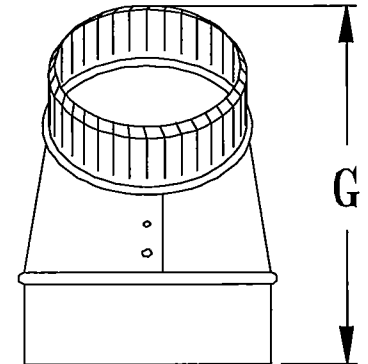
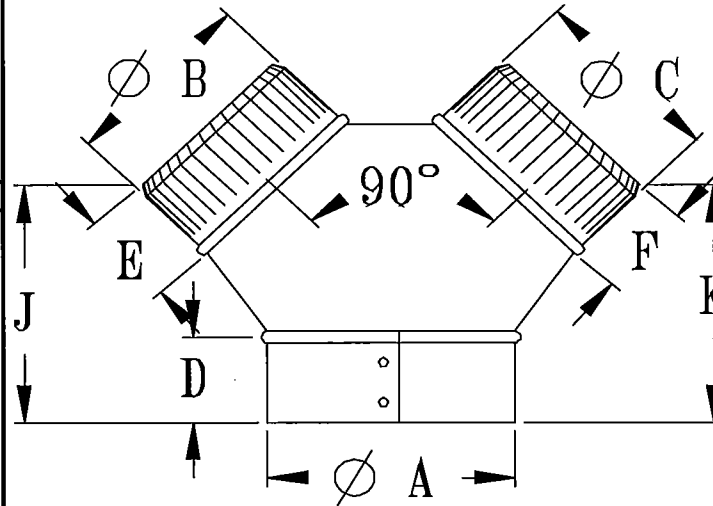
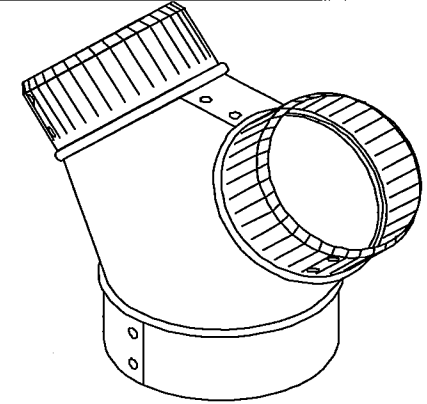
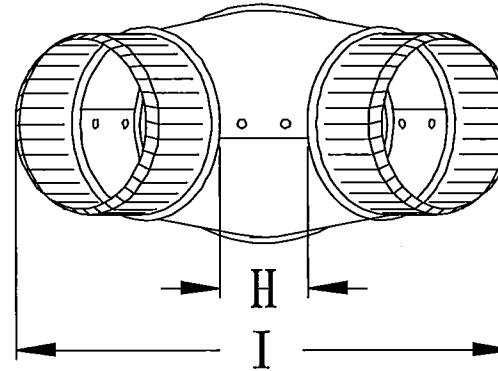
MODEL NO. 642

WYE

STANDARD MODEL

DIMENSIONS

SIZE										
A	B	C	D	E	F	G	H	I	J	K
10" x 6" x 6"	2 1/4"	2 1/4"	2 1/4"	10"	3 11/16"	15"	5 3/4"	5 3/4"	5 3/4"	5 3/4"
10" x 7" x 7"	2 1/4"	2 1/4"	2 1/4"	10 5/16"	2"	14 3/4"	5 3/8"	5 3/8"	5 3/8"	5 3/8"
10" x 8" x 6"	2 1/4"	2 1/4"	2 1/4"	11 3/4"	4 1/4"	17"	6 1/16"	7 1/2"	7 1/2"	7 1/2"
10" x 8" x 6"	2 1/4"	2 1/4"	2 1/4"	11 3/4"	4 5/16"	17"	6 1/16"	7 1/2"	7 1/2"	7 1/2"
10" x 8" x 8"	2 1/4"	2 1/4"	2 1/4"	11 3/4"	2"	16 3/16"	6 1/16"	6 1/16"	6 1/16"	6 1/16"
10" x 10" x 8"	2 1/4"	2 1/4"	2 1/4"	14 9/16"	4 1/4"	19 13/16"	7 1/2"	8 15/16"	8 15/16"	8 15/16"
10" x 9" x 9"	2 1/4"	2 1/4"	2 1/4"	15 9/16"	2 5/16"	17 7/8"	6 1/4"	6 1/4"	6 1/4"	6 1/4"
10" x 10" x 8"	2 1/4"	2 1/4"	2 1/4"	14 9/16"	4 1/4"	19 13/16"	7 1/2"	8 15/16"	8 15/16"	8 15/16"
10" x 10" x 6"	2 1/4"	2 1/4"	2 1/4"	14 9/16"	6 5/8"	20 13/16"	7 1/2"	10 5/16"	10 5/16"	10 5/16"
10" x 10" x 10"	2 1/4"	2 1/4"	2 1/4"	14 9/16"	2"	19"	7 1/2"	7 1/2"	7 1/2"	7 1/2"



MATERIAL SPECIFICATIONS

HOT DIPPED GALVANIZED STEEL.
 PER ASTM A 653 CSB.

ASSEMBLED WITH 1/8" ZINC COATED RIVETS.

BODIES: COLLAR ON "A" DIMENSION 10" = 28 GAUGE MINIMUM

10" COLLAR ON "A" DIMENSION = 28 GAUGE MINIMUM

OPTIONS

HEAVIER GAUGES AVAILABLE

AVAILABLE WITHOUT CRIMP
 AVAILABLE ALL CRIMP

JOB: _____
 LOCATION: _____
 CONTRACTOR: _____
 ENGINEER: _____
 NOTES: _____