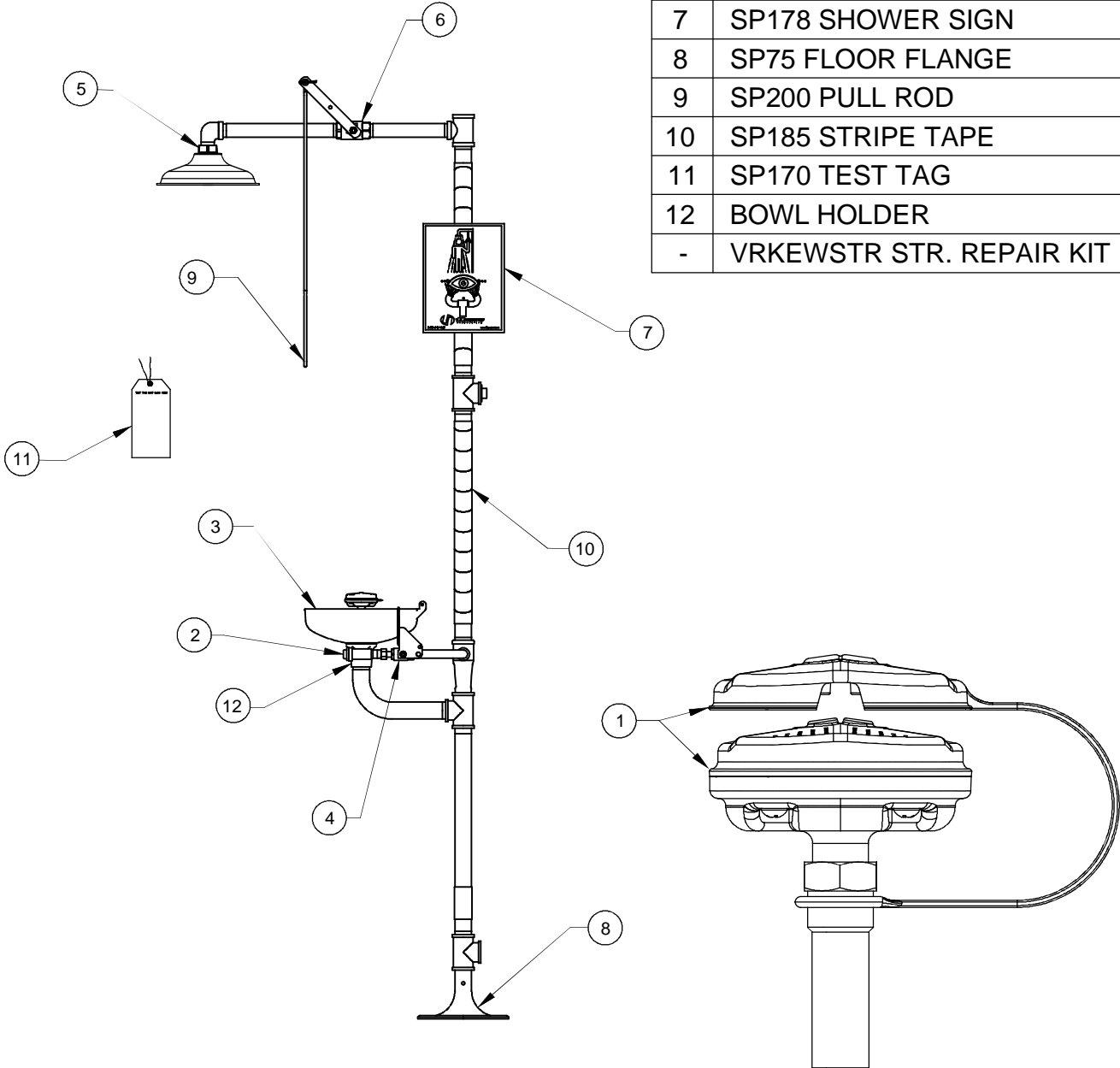


THIS DOCUMENT IS TRUE AND CORRECT AT TIME OF PUBLICATION. CONTINUED PRODUCT IMPROVEMENTS MAKE SPECIFICATIONS AND MEASUREMENTS SUBJECT TO CHANGE WITHOUT NOTICE.

PARTS BREAKDOWN

ITEM	DESCRIPTION	PART NO.
1	SP65 EYE/FACE WASH ASSY	
2	SP509 L-STRAINER	
3	SP93 BOWL	
4	SP225 VALVE ASSEMBLY	
5	SP829 SHOWER HEAD	
6	SHOWER VALVE ASSEMBLY	
7	SP178 SHOWER SIGN	
8	SP75 FLOOR FLANGE	
9	SP200 PULL ROD	
10	SP185 STRIPE TAPE	
11	SP170 TEST TAG	
12	BOWL HOLDER	
-	VRKEWSTR STR. REPAIR KIT	



SP65 EYE/FACE WASH ASSEMBLY

 Haws [®]		1455 KLEPPE LANE SPARKS, NEVADA 89431 (775) 359-4712 FAX (775) 359-7424 E-MAIL: HAWS@HAWS.CO.COM WEBSITE: WWW.HAWS.CO.COM	
		ECN NO. REVISED PER BY ECN: 4910 HM DRAWN DATE CHKD CLF 03/12/93 APPROVED DATE	MODEL(S) 8320-8325/8320CRP
WHEN ORDERING PARTS PLEASE SPECIFY MODEL NUMBER.		SCALE: 1:1 DRAWING TYPE: PARTS BREAKDOWN SIZE: A SHEET 1 OF 1	DRAWING NO. REV 11495C00 19

© 2014 Haws Corporation - All Rights Reserved

HAWS[®] and other trademarks used in these materials are the exclusive property of Haws Corporation.