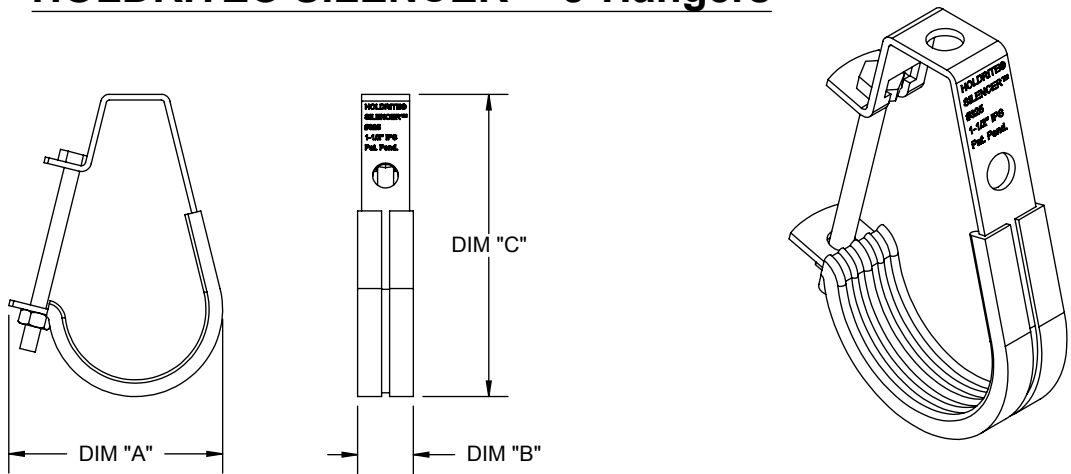


# PRODUCT SPECIFICATION DRAWING

## HOLDRITE® SILENCER™ J-Hangers



Model #	Size		Max. Recom. Load (LBS.)	Dimension (inches)		
	IPS	CTS		"A"	"B"	"C"
#320	---	1/2"	400	1.8	0.9	3
#321	1/2"	3/4"	400	2	0.9	3.1
#322	3/4"	1"	400	2.3	0.9	3.4
#323	1"	1-1/4"	400	2.5	0.9	3.8
#324	1-1/4"	1-1/2"	400	2.8	0.9	4.3
#325	1-1/2"	2"	400	3.3	0.9	4.7
#326	2"	2-1/2"	400	3.8	0.9	5.4
#327	2-1/2"	3"	800	4.7	1.3	6.3
#328	3"	---	800	5.1	1.3	7.1
#330	4"	4"	800	6.2	1.3	8.6

**HOLDRITE® SILENCER™ J-Hangers provide support for pipe and tubing from 1/2" - 4" size. These hangers also provide acoustic noise isolation and protection against dissimilar metal contact.**

### Product Information:

- Material:  
Frame: Carbon Steel  
Liner: TPE, natural (off-white), 45 shore A
- Conforms with Manufacturers Standardization Society (MSS) SP-58 and SP-69 (Type 5)
- Load rating: Complies with (MSS) SP-58
- Temperature range: -50 °F to 225 °F
- Patent Pending

THIS INFORMATION IS PROPRIETARY TO HOLDRITE AND IS SUBJECT TO CHANGE WITHOUT NOTICE. IT MAY NOT BE REPRODUCED IN PART OR WHOLE WITHOUT WRITTEN AUTHORIZATION.

# HOLDRITE®

CONVERTING MAKESHIFT METHODS INTO ENGINEERED SOLUTIONS<sup>SM</sup>

800-321-0316 OR 760-744-6944 / FAX: 760-744-0507 / WWW.HOLDRITE.COM  
spec\_J-Hangers\_RevG

Product Submittal	
Job Name:	
Date:	
Part Number:	Qty:
Architect / Owner:	
Contractor:	
Notes:	