



325 COMMERCE DRIVE
 MT VERNON, OH 43050
 800-253-8236

SPECIFICATION DATA SHEET

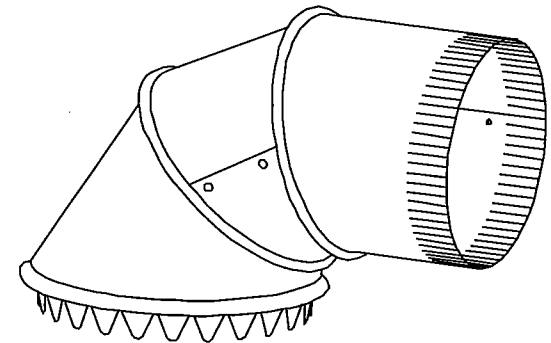
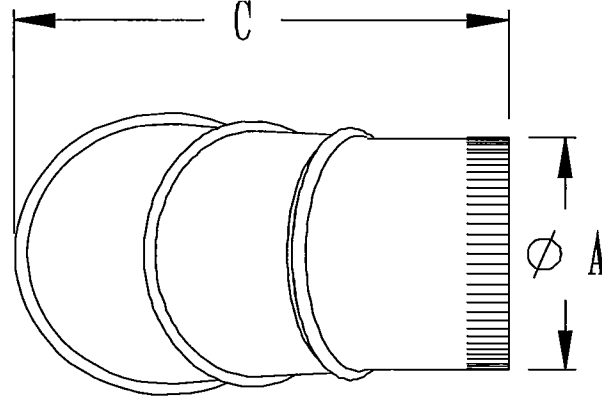
DATE: 2-5-13
 PREPARED BY: RL

MODEL NO. 365 ADJUSTABLE TOP TAKEOFF

STANDARD MODEL

DIMENSIONS

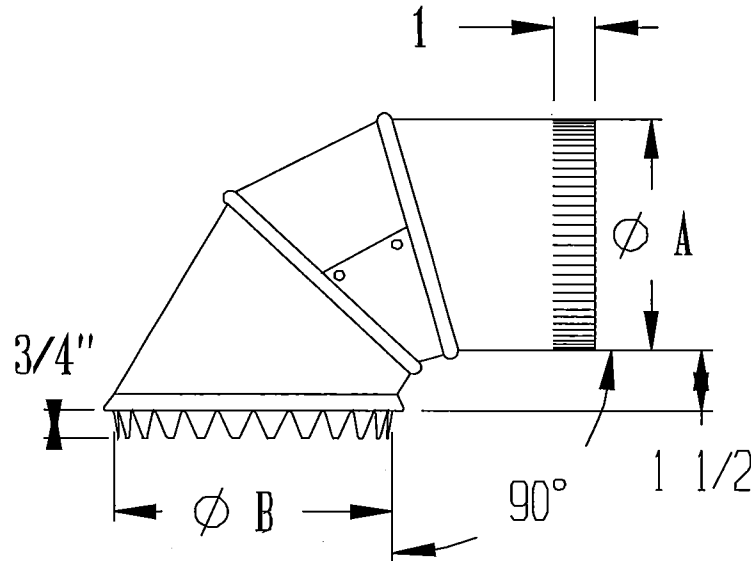
| SIZE | A | B | C |
|------|----|----------|--------|
| 4" | 4" | 4 15/16" | 9 3/4" |
| 7" | 7" | 7 15/16" | 12" |
| 8" | 8" | 8 15/16" | 13" |



MATERIAL SPECIFICATIONS

HOT DIPPED GALVANIZED STEEL.
 PER ASTM A 653 CSB.

ASSEMBLED WITH 1/8" ZINC COATED RIVETS



OPTIONS

AVAILABLE WITHOUT CRIMP

JOB: _____
 LOCATION: _____
 CONTRACTOR: _____
 ENGINEER: _____
 NOTES: _____