

GEBERIT INSTALLATION SYSTEM

For 1.6/0.8 GPF (6/3 LPF) and 1.28/0.8 GPF (4.8/3 LPF) Wall-Hung Toilets, 2x4 Installations

PRODUCT SPECIFICATIONS

In-Wall Duofix carrier system and Sigma concealed tank with actuator flush panel or pneumatic push button for washdown wall-hung toilets. System shall fit within minimum 5½" (146 mm) framing wall or plumbing chase, with wood construction or steel framing members placed 19¾" (500 mm) apart. Framing members should be capable of supporting a 880 pound (400 kg) load without damage to the wall. Water supply shall have flow diameter no smaller than 1/2" (13 mm) copper tube, and a minimum flow pressure of 2 PSI (0.01 MPa). The toilet bowl shall be a third party listed, 2-hole wall-hung 1.6 GPF (6 LPF) or 1.28 GPF (4.8 LPF) single-flush, 1.6/0.8 GPF (6/3 LPF) or 1.28/0.8 GPF (4.8/3 LPF) dual-flush. The carrier frame shall be adjustable for bowl rim heights from 15" to 19" (381 to 483 mm). Actuator flush panels shall be diecast zinc, molded plastic or fabricated stainless steel and plated to preserve material integrity. All components shall be compliant with applicable codes and product standards.

FEATURES

- Water consumption – Dual-flush system, 1.6/0.8 GPF (6/3 LPF) or 1.28/0.8 GPF (4.8/3 LPF)
- Anti-siphon fill valve
- Impact resistant high density polyethylene (HDPE) tank, insulated to prevent condensation
- 16-gauge, powder-coated, structural-steel tubing rated to 880 lbs. (400 kg) without damage to finished wall or carrier unit
- Bowl rim height adjustments from 15" to 19" (381 to 483 mm)
- 49" (1245 mm) frame height
- For finished walls up to 3½" (9cm) thick
- For use with Geberit Sigma actuator plates (not included)
- Includes installation and rough-in materials

Complies with the latest editions of:

- ASME: A112.6.2, A112.19.5, A112.19.14
- ANSI Z124.4
- CSA B125.3
- ANSI/ASSE 1002
- IAPMO PS-50
- UNAR / UNAR-HET
- ASME A112.19.2
- This concealed tank is WaterSense® listed or compliant when used in combination with the toilet bowl models listed on page 3 of this sheet.
- State of Massachusetts listed

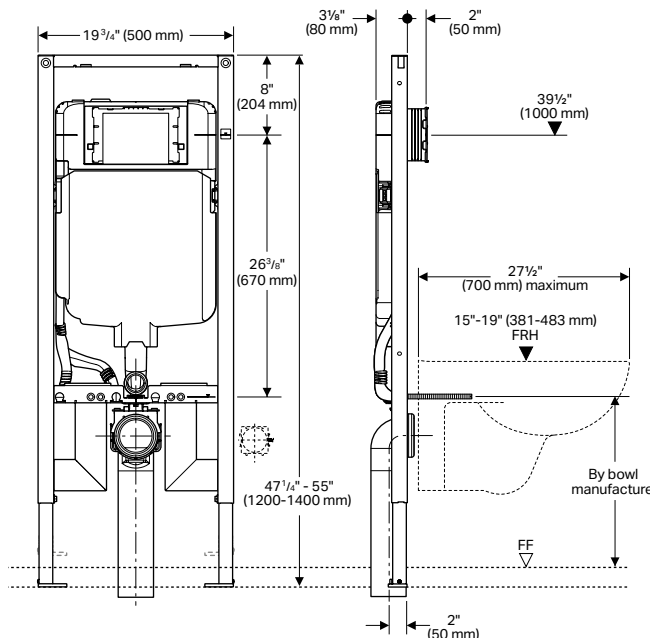
WARRANTY

Limited lifetime warranty on tank and carrier, 10-year warranty on fill valve and flush valve. One-year warranty on actuator flush plates.

Products marked with comply with the American Disabilities Act (ADA) when installed per the requirements of the latest ADA Accessibility Guidelines (ADAAG) and/or ICC/ANSI A117.1.

Where water closet grab bars are required and corresponding reinforcement provided as outlined in the latest NYC Building Code and Federal FHA Guidelines, the installed product complies both for grab bars installed at the time of initial construction as well as for grab bars planned for future installation.

Model No.	Description	
111.798.00.1	Carrier frame with 1.60/0.8 GPF Sigma Concealed Tank	
111.597.00.1	Carrier frame with 1.28/0.8 GPF Sigma Concealed Tank	



ARCHITECT/ENGINEER APPROVAL

Job Name: _____

Date: _____ Quantity: _____

Model Specified: _____

Variations Specified: _____

Customer/Wholesaler: _____

Contractor: _____

Architect: _____

GEBERIT INSTALLATION SYSTEM

For 1.6/0.8 GPF (6/3 LPF) and 1.28/0.8 GPF (4.8/3 LPF) Wall-Hung Toilets, 2x4 Installations

COMPATIBLE 1.6/0.8 GPF (6/3 LPF) WALL-HUNG TOILET BOWL MODELS

Brand Name	Model Number*	Model Name	Brand Name	Model Number*	Model Name	Brand Name	Model Number*	Model Name	
Blu	LW6008	Coco	Duravit	252959	ME by Starck	Laufen	8.2096.2	Laufen Pro S	
Bathworks	LW6020	Metrix	(continued)	253009	ME by Starck	(continued)	8.2096.3**	Laufen Pro S	
	LW6030	Coco		256109	P3 Comforts		8.2068.0	LB3	
	LW6030A	Coco		256159	P3 Comforts		8.2068.8**	LB3	
	Devon & Devon	IBWCSBLUES	Blues	221909	PuraVida		8.2043.5	Living	
	IBWCSET	Etoile		021009	Starck 1		8.2043.9**	Living	
	2IBWCBSSET	Etoile		016009	Starck 2		8.2055.0	Mimo	
	IBWCSET	New Etoile		253309	Starck 2		8.2094.6	Mylife	
	2IBWCBSSET	New Etoile		253359	Starck 2		8.2094.8	Mylife	
	IBWCSRO	Rose		253409	Starck 2		8.2070.8	Palace	
Duravit	018209	1930 Series		220009	Starck 3		8.2080.1	Palomba	
	220509	2nd Floor		220109	Starck 3		8.2080.8	Palomba	
	222009	2nd Floor		222509	Starck 3		Neo-Metro	8951	Euro-Urban Contour
	017509	Bathroom_Foster		222009	Starck 3 compact			8957	Metaal
	015609	Caro		222709	Starck 3 compact			8952	miniLoo
	019809	Caro		252709	Starck 3		ROCA	346768	Armani
	019849	Caro		222609	Starck 3			346518	Dama Senso
	221109	D-Code		222659	Starck 3			346468	Giralda
	253509	D-Code		220309	Starck 3 extra long			346628	Hall
	220909	D-Code		220609	Starck 3			346568	Happening
	222309	D-Code		221509	Starck 3		TOTO	CT418FG	Aquia
	020709	Darling		220409	Starck X			CT486FG	Maris
	254509	Darling New		221709	Vero		Tynan Plumbing	7531.XX	Aine
	255709	Darling New		DXV	47010-11	Seagram		7532.XX	Fionn
	254409	Darling New		Icera	C-6610	Clarity	Villeroy & Boch	6612-YY-XX	Aveo
	254459	Darling New			C-2340	Metro Loft		4684-YY-XX	Architectura
	256309	Darling New			C-2370	Piano		4688-UR-XX	Architectura
	256359	Darling New		Kallista	P70361-00	Pléo		5664-YY-XX	Bellevue
	253609	DuraStyle		Kohler	K-6299	Veil		6653-YY-XX	Century
	253709	DuraStyle			K-6300	Veil for Bidet Seat		6665-YY-XX	Editorials
	253809	DuraStyle		Lacava	5458	Aquagrande		6661-10-XX	Hommage
	253909	DuraStyle			5051WC	Giulia		5627-YY-XX	La Belle
	254009	DuraStyle			4278	Piazza		7631-YY-XX	Magnum
254109	DuraStyle			6058	Suave		5628-YY-XX	Memento	
253759	DuraStyle			2958	Tre		6664-YY-XX	Oblic	
254209	DuraStyle		Laufen	8.2090.0	Alessi dOt		5684-YY-XX	Ornia Architectura	
254259	DuraStyle			8.2090.8**	Alessi dOt		5674-YY-XX	Ornia Architectura	
255109	DuraStyle			8.2097.6**	Alessi One		5678-YY-XX	Ornia Architectura Vita	
255209	DuraStyle			8.2097.8**	Alessi One		5670-YY-XX	Pure Stone	
255909	DuraStyle			8.2067.1	Form		5622-YY-XX	Sentique	
256209	DuraStyle Basic			8.2066.1	Hi Jet		6661-YY-XX	Strada	
255409	Esplanade			8.2033.8	Kartell		4609-UR-XX	Subway	
017109	Happy D			8.2033.6	Kartell		6600-YY-XX	Subway	
222109	Happy D.2			8.2033.1	Kartell		5600-YY-XX	Subway 2.0	
222209	Happy D.2			8.2095.0	Laufen Pro		5614-XX	Subway	
255009	Happy D.2			8.2096.9	Laufen Pro				
255059	Happy D.2			8.2095.6	Laufen Pro				
252909	ME by Starck			8.2095.2	Laufen Pro Compact				

COMPATIBLE 1.28/0.8 GPF (4.8/3 LPF) WALL-HUNG TOILET BOWL MODELS

Brand Name	Model Number*	Model Name
TOTO	CT437FG****	MH
	CT437FGT20****	MH Connect+

Note: Dimensions are approximations.

* Consult toilet manufacturers for up-to-date model numbers and availability.

** Meets 600 grams MaP performance score according to Maximum Performance (MaP) of Toilet Fixture list, version 03/10/2018.

*** Meets 800 grams MaP performance score according to Maximum Performance (MaP) of Toilet Fixture list, version 03/10/2018.

**** Meets 800 grams MaP performance score self-attested by manufacturer.

GEBERIT INSTALLATION SYSTEM

For 1.6/0.8 GPF (6/3 LPF) and 1.28/0.8 GPF (4.8/3 LPF) Wall-Hung Toilets, 2x4 Installations

**WATERSENSE LISTED EPA HIGH
EFFICIENCY COMPATIBLE
1.6/0.8 GPF (6/3 LPF)
WALL-HUNG TOILET BOWL MODELS**



Brand Name	Model Number*	Model Name
Duravit	256209	DuraStyle Basic
	222509	Starck 3
	222609	Starck 3
	252709	Starck 3
Kohler	K-6299	Veil
	K-6300	Veil
Laufen	8.2090.8	Alessi dOt
	8.2097.8	Alessi One
	8.2066.1	HiJet
	8.2033.8	Kartell
	8.2095.2	Laufen Pro
	8.2096.3	Laufen Pro S
	8.2068.8	LB3
	8.2043.9	Living
	8.2070.8	Palace
TOTO	CT418FG	Aquia
	CT486FG	Maris

**WATERSENSE LISTED EPA HIGH
EFFICIENCY COMPATIBLE
1.28/0.8 GPF (4.8/3 LPF)
WALL-HUNG TOILET BOWL MODELS**



Brand Name	Model Number*	Model Name
TOTO	CT437FG****	MH
	CT437FGT20****	MH Connect+

- * Consult toilet manufacturers for up-to-date model numbers and availability.
- **** Meets 800 grams MaP performance score self-attested by manufacturer.

Geberit
2100 S. Clearwater Drive
Des Plaines, IL 60018
USA

P 847-803-7777
F 847-803-5454

www.geberit.us