

POP-UP ASSEMBLY



The Right Choice...

TECHNICAL DATA

DESCRIPTION:

Brass pop-up assembly

CONSTRUCTION:

Chrome plated brass body - 22 gauge

Rough brass locknut

Rubber gasket

FINISH:

Chrome, polished brass or antique brass trim

PACKAGING:

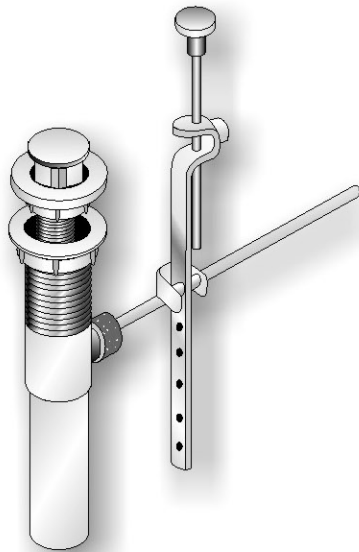
Display boxed w/ barcode

Inner carton: 12

Master carton: 24

BRAND: EZ-FLO®

OPTIONS: Polished brass trim or antique brass trim



PART#
10901
14123
14125

FINISH
chrome
polished brass
antique brass

Country of origin: China

