

January 2018

Ductless Cassette Hangers

Revolutionary Cassette Hanging Bracket

Application

The NEW Ductless Cassette Hanger from Quick-Sling provides the fastest and easiest way to install cassettes. Its strong, lightweight construction is perfectly suited for these typically challenging and time-consuming installations.

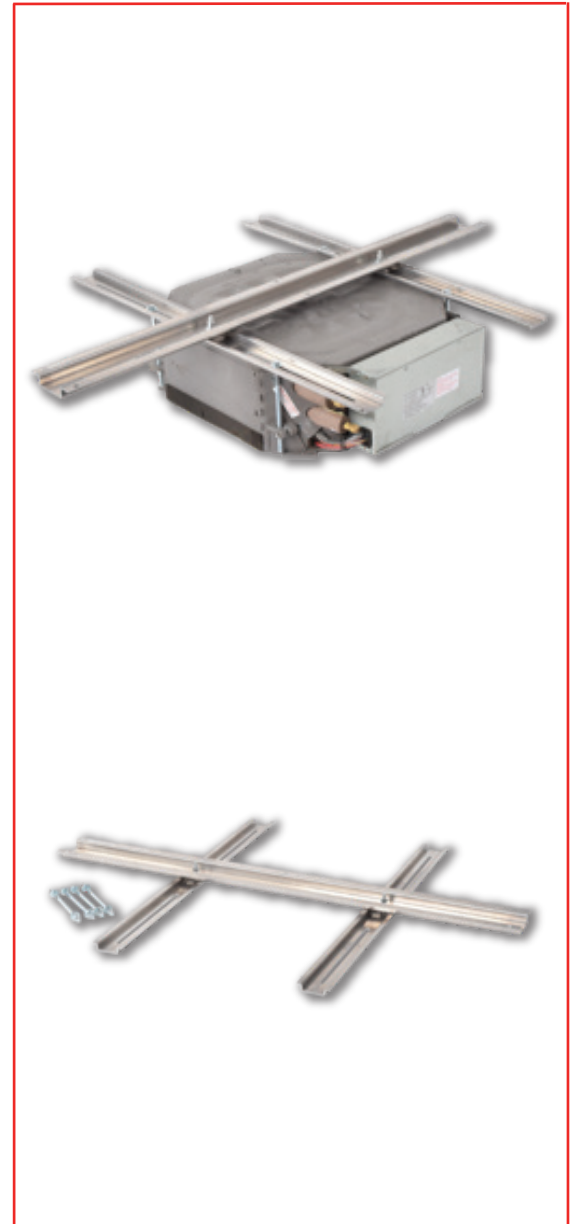
Advantages

Our cassette hangers are designed to allow the cassette to be hung in a fraction of the time as compared to using a puzzle of struct, nuts, bolts, washers and threaded rod. Being able to use the same bracket for every cassette install eliminates the need to create a new custom bracket for each cassette.

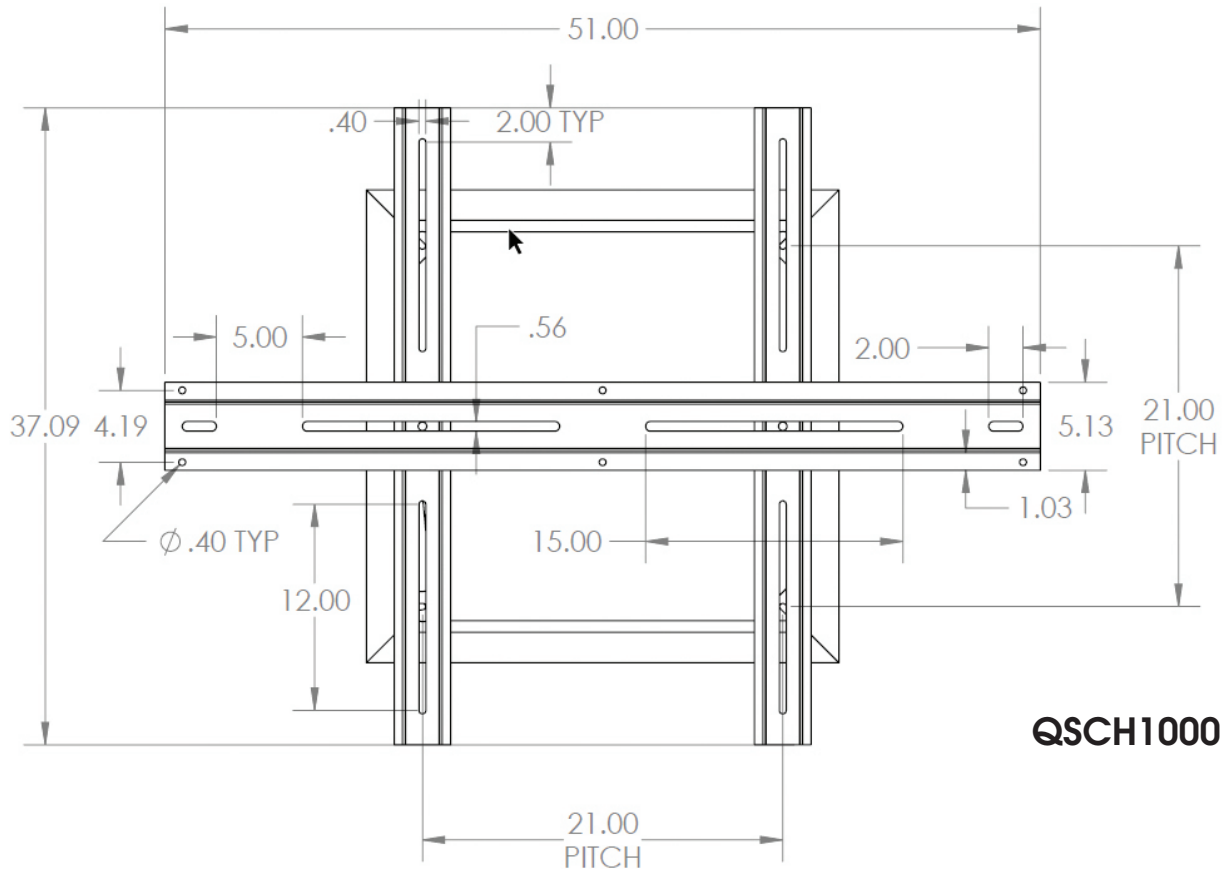
The bracket is designed with slots that allow the cassette to be adjusted in all directions after it is hung to make it easier for ceiling installations. It comes with all the hardware required to mount to the cassette and has multiple options to attach to threaded rod.

Features

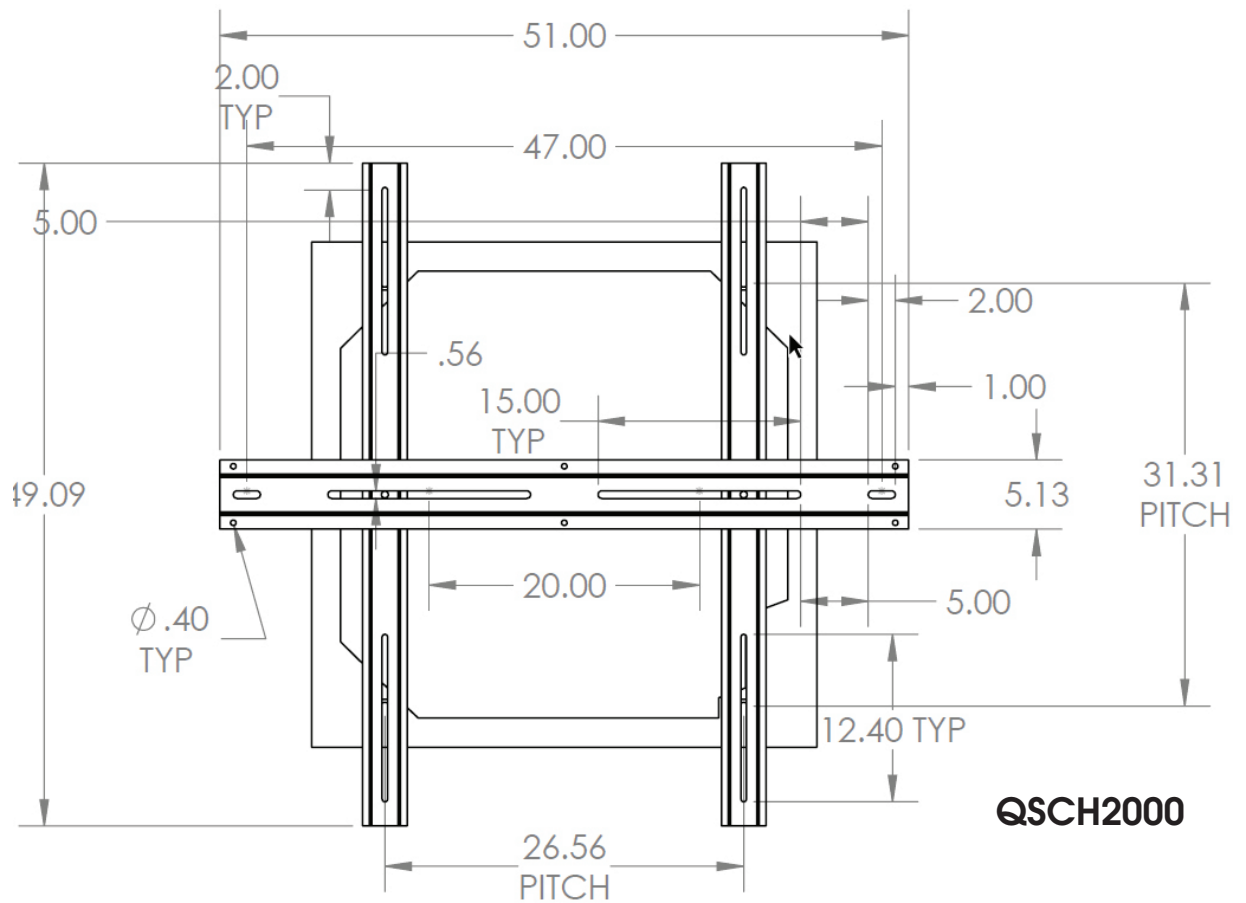
- Lightweight aluminum construction
- Strong enough for large cassettes
- Adjustable position after installation
- Hardware included
- Only 2 part numbers needed to match most all the cassette manufactures on the market today.



ITEM #	DESCRIPTION	UPC	UOM	ORDER MULTIPLE	LIST PRICE
QSCH1000	Quick-Sling® Cassette Hanger - Small	0095247163915	1	1	\$192.00
QSCH2000	Quick-Sling® Cassette Hanger - Large	0095247163922	1	1	\$218.00



QSCH1000



QSCH2000