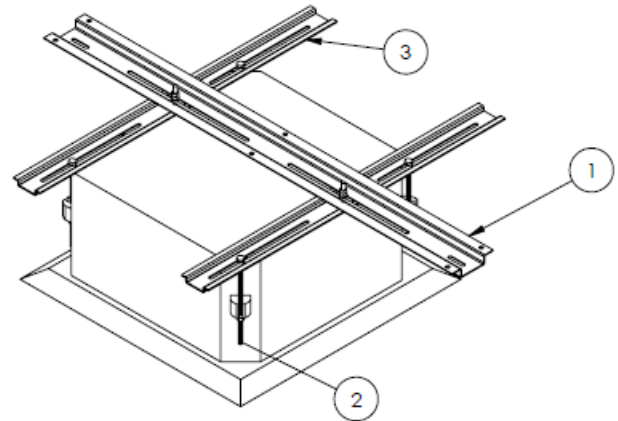


Ductless Cassette Hanger

QSCH1000, QSCH2000

Contents:

- (1) Spreader Plate
- (2) Mounting Rails
- (4) 3/8" – 16 x 9" hex head bolts
- (10) 3/8" steel washers
- (12) 3/8" Hex nuts



1. Attach the spreader U-Channel (1) to the ceiling using 3/8" threaded rods (not included) in the corners of the channel. Make sure the channel is level.
2. Place the 9" (2) bolts in each of the slots of the mounting channels (3) so that the hex head catches the bolt. There should be a washer between the channel and hex head.
3. Insert the PEM bolts into the center slots of the spreader U-Channel (1) and attach them using the hardware provided.
4. Lift the cassette up to the 9" bolts and slide them into place.
5. Attach the bolts with the washer and nuts provided.
6. Adjust the cassette to the position desired. Then tighten down all nuts to secure in place.

**Please adhere to all local laws and building codes*