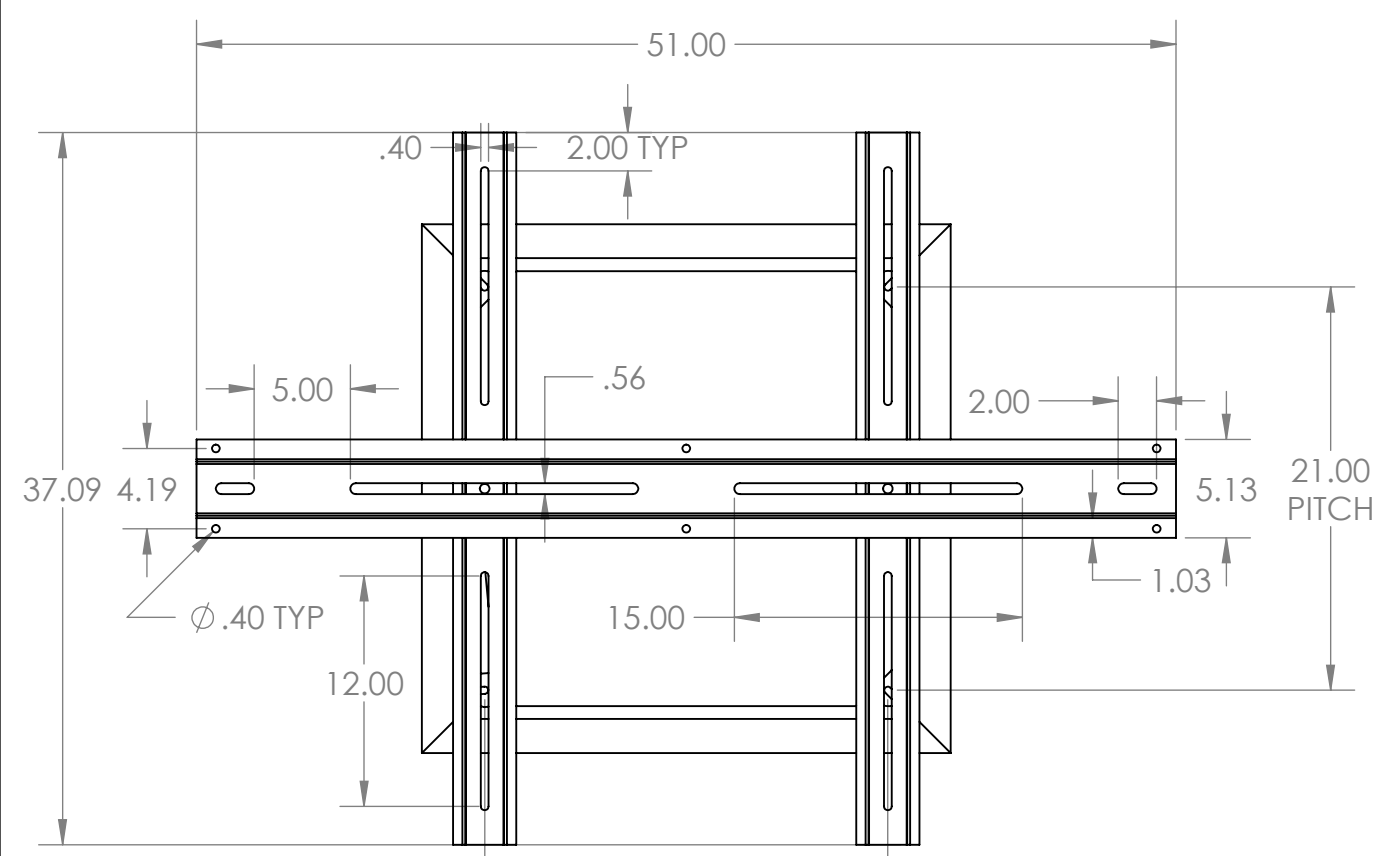
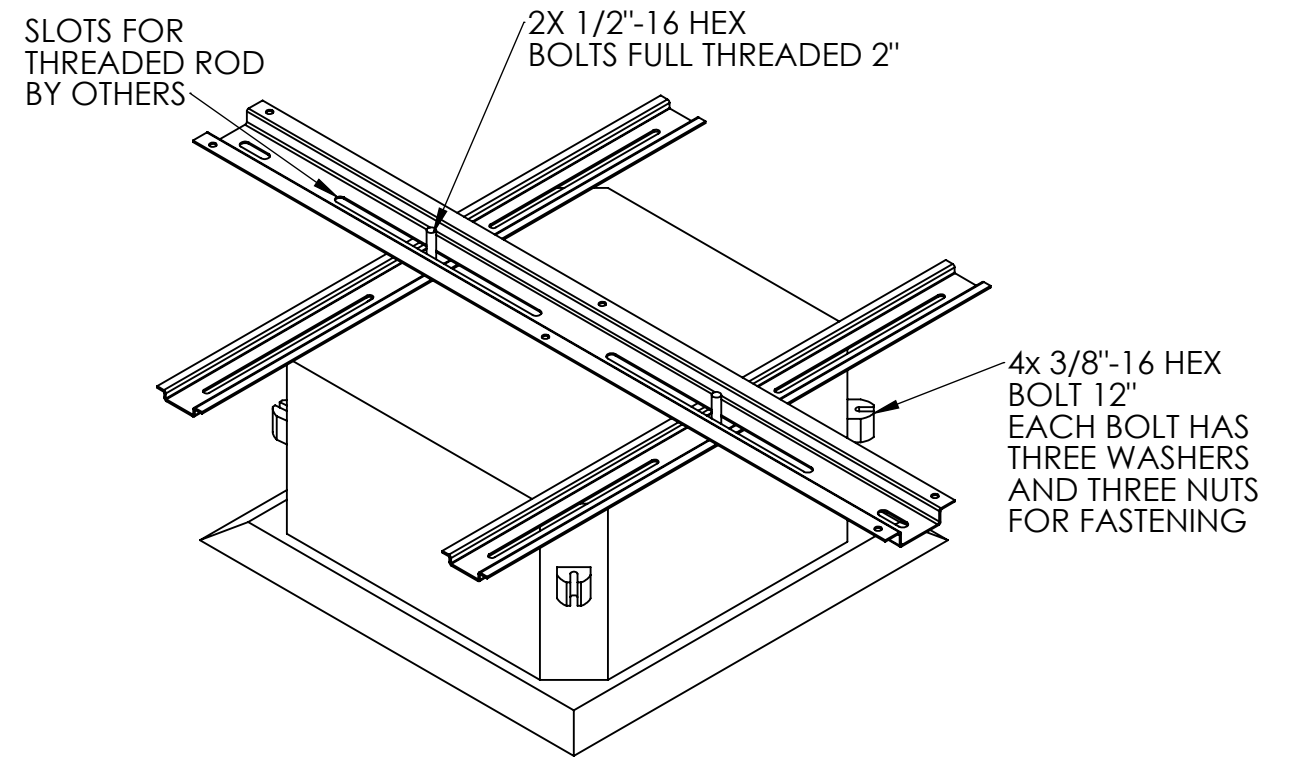
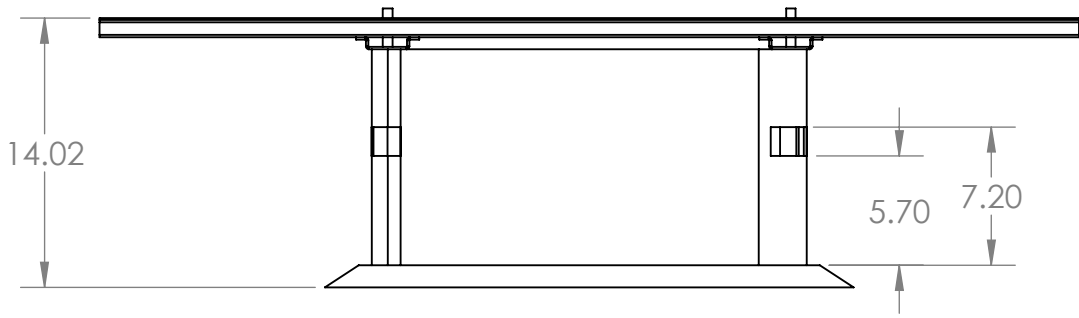


REVISIONS					
REV	ZONE	DESCRIPTION	EC	NAME	DATE
A01		INITIAL RELEASE			

**Material:  
Aluminum  
Grade 50 52**



**QSCH1000 w/ HAT CHANNEL**



MATERIAL: SEE NOTES  
FINISH: SEE NOTES

INTERPRET THIS DRAWING IN ACCORDANCE WITH ASME Y14.5-2009 DIMENSIONING AND TOLERANCING STANDARDS

**DIVERSITECH**  
*Simplify The Way You Work*

ALL DRAWINGS AND WRITTEN MATERIAL CONTAINED HEREIN ARE THE PROPERTY OF DIVERSITECH AND MAY NOT BE DUPLICATED OR DISCLOSED AT ANY TIME UNLESS APPROVED IN WRITING BY DIVERSITECH

	NAME	DATE
DRAWN		
CHECKED		
ENG APPR.		
MFG APPR.		
Q.A.		

**UNLESS OTHERWISE SPECIFIED**  
DIMENSIONS ARE IN (INCHES)/MM  
TOLERANCES IN MM

ANGULAR MACH ±0.25°  
ANGULAR BEND ±1°  
X. ±2  
X.X ±0.1  
X.XX ±0.02  
X.XXX N/A

TITLE: QSCH1000		
SIZE	DRAWING NUMBER	REV
<b>B</b>	<b>QSCH1000</b>	<b>A01</b>
SCALE: 1:20	WEIGHT (lbs):	SHEET 1 OF 1