




Flush Valves

Flush valve for 3/4" top spud flushing UR
with tail to fit Sloan®/Zurn® stop-maximum 13" height
(c/l of inlet to top of urinal)

Model No: 81T231-30

COMPLIES WITH:

-  Indicates compliance to ICC/ANSI A117.1
- IAPMO listed to ASSE 1037/ASME A112.1037/ CSA B125.37
- (Contact Delta Representative for State and/or Local Approvals)



NOTES:

To convert Sloan®/Zurn® 3/4" Top Inlet Urinal Flush Valves to Electronic, see 81T231BTA-30 (battery operated) or 81T231HWA-30 (hard wire)

For complete listing of Electronic Flush Valve models, see Electronic Flush Valves & Retrofit Kits

SPECIFICATION:

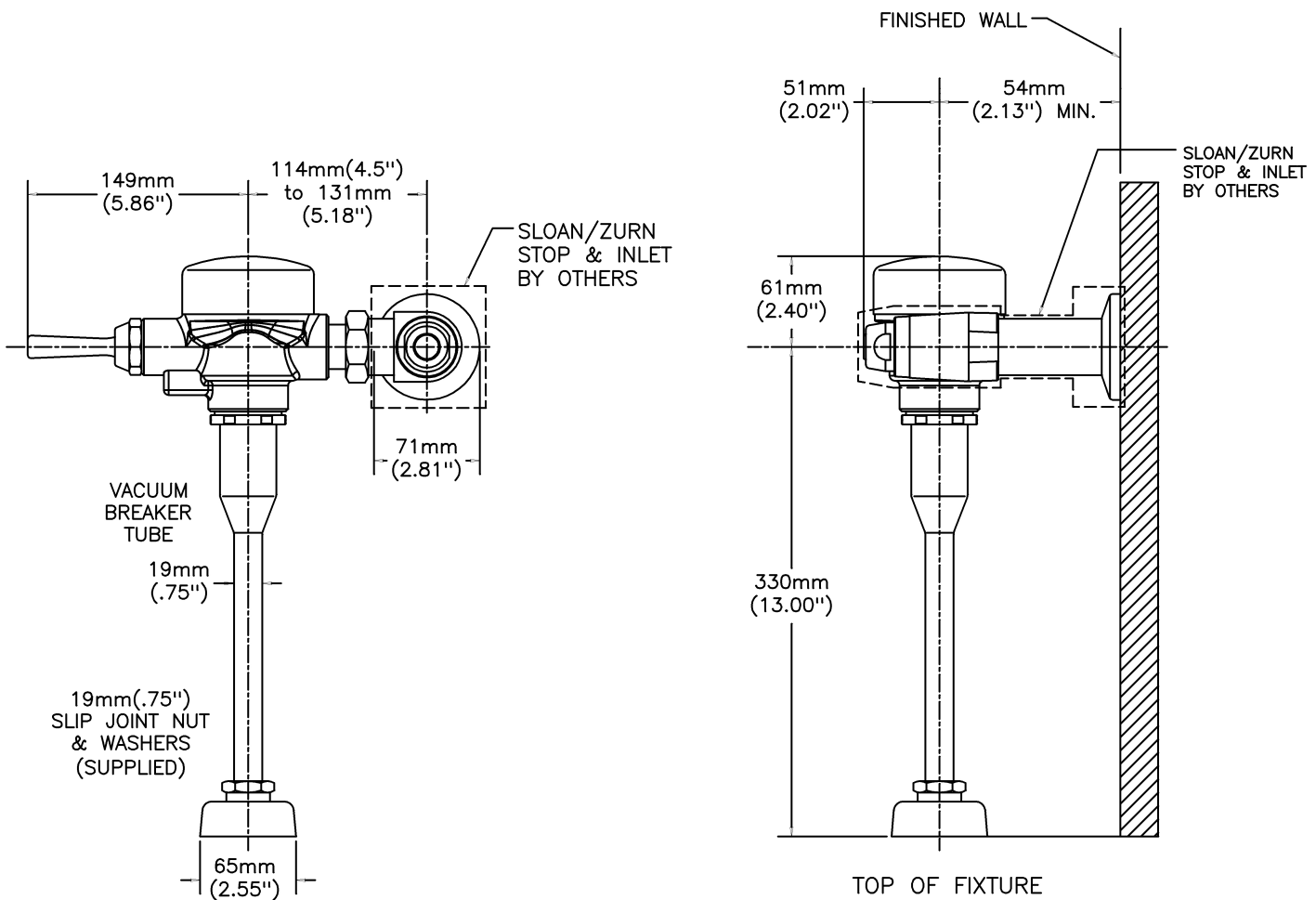
- Quiet action, Teck® exposed diaphragm flush valve
- Right or left-hand supply installation
- Chloramine resistant diaphragm
- Diaphragm retainer
- Renewable seat
- Vacuum breaker
- For flushing urinals with 3/4" top spud
- With tail to fit Sloan®/Zurn® stop
- Adjustable 114mm (4.5") to 131mm (5.18") inlet/valve outlet centers
- Maximum 330mm (13") from centerline of valve inlet to top of urinal
- External water conserving flush adjustment: Factory Set to 1.9 Litre (0.5 GAL.) - FIELD ADJUSTABLE from 0.47 to 3.78 Litre (1/8 to 1.0 GAL.)

OPERATION:

- **Recommended water supply:**
 - Minimum flowing pressure – 25 psi (172 kPa)
 - Minimum flow rate – 8 gpm (30 L/min)
- Adjustable flush volume using adjustment screw on flush valve

(Dimensional drawing on following page)

Teck® flushometer valves are designed to operate at any supply pressure between 20 psi and 125 psi in accordance with ASSE 1037/ASME A112.1037/ CSA B125.37. The Teck® flush valve delivers the industry's highest peak flows to enhance bowl scrubbing. At high water pressures, splash out, noise or reduced life of plumbing components may be observed with a few models of water closet or urinal fixtures. To minimize or eliminate these effects, select a different model of water closet or urinal from the same or another manufacturer, or install a pressure reducing valve. If the installation does not allow for either of these options, the control stop adjusting screw may be used to reduce pressure to the valve.



Delta reserves the right (1) to make changes to specifications and materials, and (2) to change or discontinue models, both without notice or obligation. Dimensions are for reference. Measurement may vary plus or minus 6mm(0.25"). Mounting locations are suggested only. Check with local codes for requirements in your area. This spec was produced April 28, 2021.