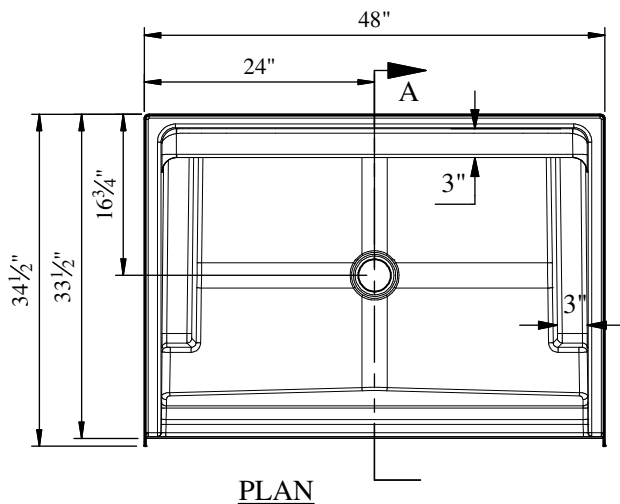
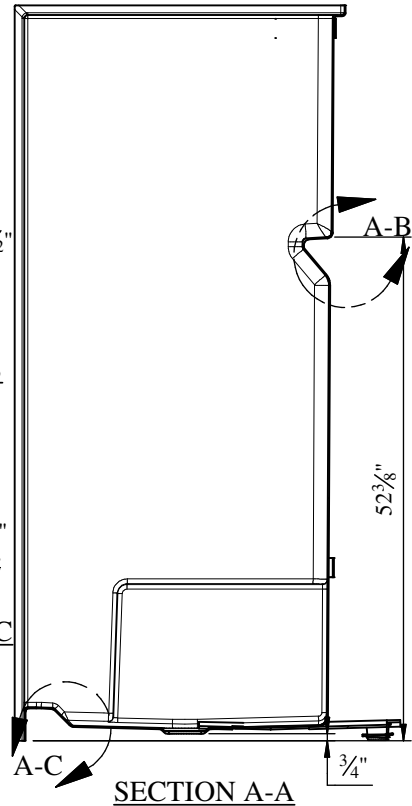
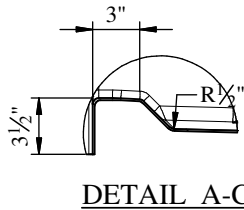
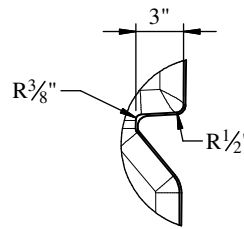
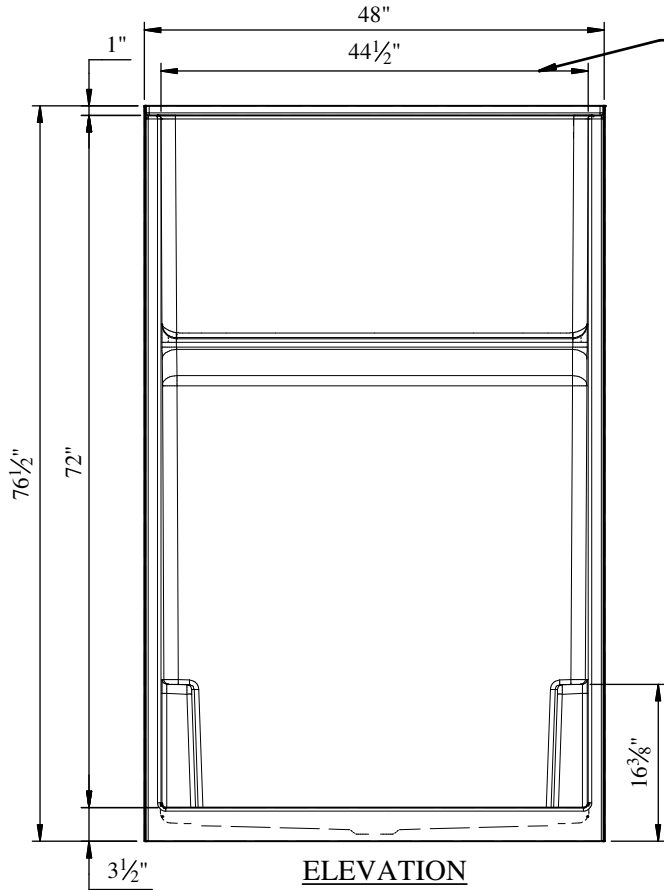


# Clarion

BATHWARE



**PRODUCT SPECIFICATIONS:**

- Certified to meet CSA B45.5/IAPMO Z124 Standard.
- Product has a Class B fire rating as determined by ASTM E-84 test method.
- Reinforced & premium slip resistant floor.
- Molded soap ledges on back wall.
- Integral 1" nailing flange.
- Door Opening: W- 44 1/2"  
H- 72"
- All dimensions +/- 1/2"
- Clarion Bathware reserves the right to change design and/or dimensions.
- Dimensions are the same for all other versions of this model.

48" Shower w/3 1/2" Threshold  
& Molded Foot and Soap Ledges

**SH4834**

48" Shower w/ 3 1/2" Threshold, Molded Foot and Soap Ledges & Center Drain

**Clarion**  
BATHWARE  
44 Amsler Ave.  
Shippensburg, PA 16254

Phone: (814) 226-5374  
Toll Free: (800) 576-9228  
Fax: (814) 226-0730  
www.clarionbathware.com

Mold Fabrication will not begin until approved drawing is received.  
Standard mold production is (\_\_\_\_\_) weeks unless quoted otherwise.

Signatures For Approval: \_\_\_\_\_ Date: \_\_\_\_\_  
Customer: \_\_\_\_\_  
Clarion Engineer: \_\_\_\_\_  
Clarion SVP of Sales: \_\_\_\_\_

DWG. #  
SH4834 -CUT

Dwg. By: NMH  
Date: 3/16/2023