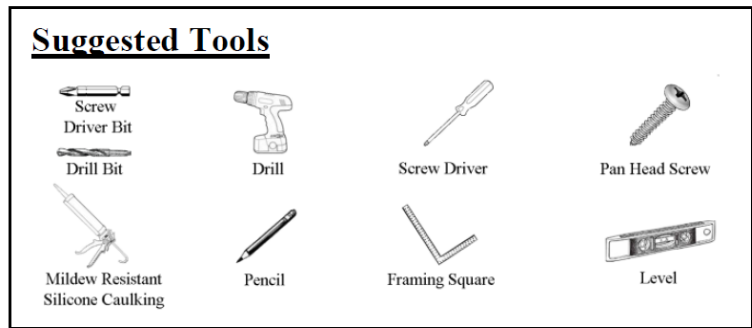


Residential Shower Base



WARNING: FAILURE TO FOLLOW THESE INSTALLATION INSTRUCTIONS COULD VOID THIS PRODUCTS WARRANTY. A licensed plumber is recommended, but not required, to install or supervise the installation of these units. These units are thoroughly tested in the plant to ensure their ability to drain water properly. Failure to follow these handling and installation instructions may cause improper drainage, thus voiding the unit’s warranty.

Clarion Bathware’s Shower Bases are to be stored in a dry area prior to installation to prevent moisture from attacking the reinforcement material which could cause warpage to the unit.

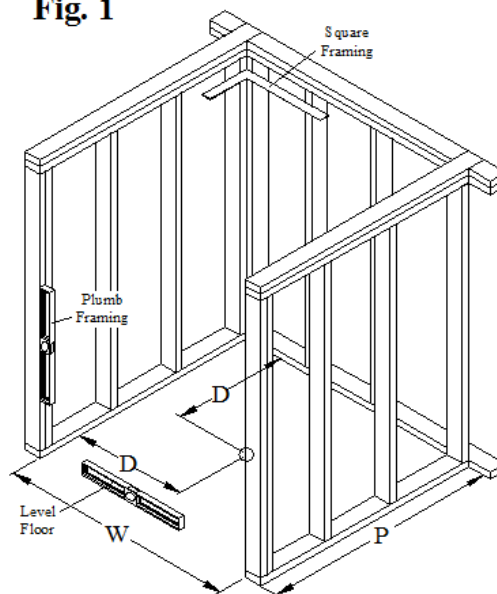
Figure 1

Frame a square and plumb pocket to dimension of the unit.

Pocket dimensions and drain location can be obtained from your retailer or at www.clarionbathware.com/search (1) enter model number of the unit then click search, (2) select the product picture, (3) Under downloads and maintenance select the product cut sheet PDF.

Clarion Bathware’s products are designed to be self-supporting. However the use of a bedding material is required if the unit is being installed in a high use facility (i.e.: dormitory, locker room, nursing home, motel, hotel, etc.), or for any type of bariatric application. If a bedding material is used, be sure to place a moisture barrier between the bedding compound and the unit.

Fig. 1



- * P= Depth of framing pocket should be at least the depth of unit that is being installed.
- * W= Width of framing pocket should be no wider than the width of the unit being installed. Shims may be required.
- * D= Dimensions provided on the cutsheet of the unit which shows the drain location.

IF A BEDDING MATERIAL IS USED UNDER A UNIT; WE RECOMMEND USING GYPSOLITE™ OR STRUCTO-LITE™ BASECOAT PLASTER, HOWEVER ALSO ACCEPTABLE AS PROPER BEDDING COMPOUNDS ARE; CEMENT SLURRY, MORTAR MIX, PLASTER OF PARIS, OR COMPARABLE FLOOR FILLING COMPOUNDS. WATER SOLUBLE MATERIALS, FOAM AND OTHER EXPANDING MATERIALS ARE NEVER TO BE USED AS A BEDDING COMPOUND.

Figure 2

Install the drain fitting and make sure that it is seated, sealed, and tightened properly to avoid leaking. Set the unit into the framed pocket. Check that the drain is not resting on anything which can force the unit floor upwards. Level the unit front to back and side to side, using shims under the leveling legs as necessary. Fasten the unit to the studding by, pre-drilling the flange (or using a self-drilling type screw), and then either nailing or screwing the flange to the studding with galvanized fasteners. If the pocket is larger than the overall dimension of the unit and there are gaps between the flange and the stud shims must be used to avoid cracking the flanges. Connect the drain fitting to the drain piping to complete the installation.

Fig. 2

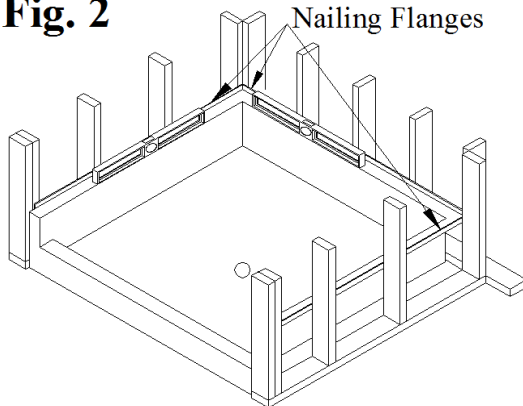
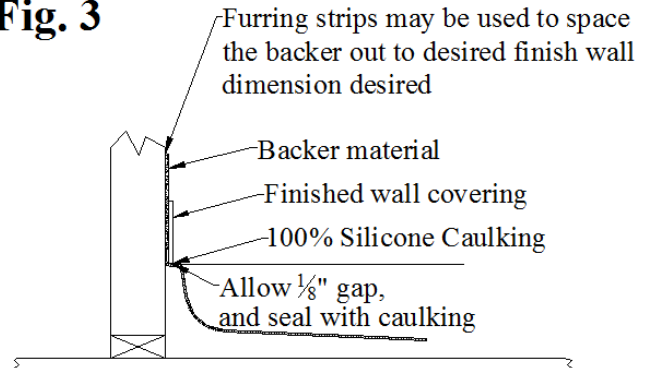


Fig. 3



Final Notes:

You can finish off your new unit with a variety of water proof materials which are accepted by local building codes.

When finishing the shower base to the wall surface please ensure that the joint between the finished wall surface and the shower Base is sealed with 100% silicone caulking. At the front edge of the shower base take extra care to ensure that there is no chance that any water can weep out into the wall board, this can be accomplished by extending the caulking around the front of the shower base before the wall board is placed.

Clean your new shower base with a liquid detergent and warm water.

Do not use any abrasive cleaners such as scouring powder or liquid abrasive cleaners.

IF YOU HAVE ANY QUESTIONS REGARDING INSTALLATION OF YOUR CLARION BATHWARE PRODUCT, PLEASE CALL OUR CUSTOMER SERVICE DEPARTMENT AT 1 (800) 576-9228 EXT. #818 OR BY E-MAIL AT CUSTOMERSERVICE@CLARIONBATHWARE.COM

JOB SITE INSTALLATION OF OWNER SUPPLIED ACCESSORIES

Job-site installation of third party supplied accessories is entirely at the risk and full responsibility of the owner. Any damage to Clarion Bathware units or the property during or after accessory installation, or any injuries due to improper installation remain the sole responsibility of said owner and cannot be attributed to Clarion Bathware, Inc.

*****WE SUGGEST THAT THE CUSTOMER AVOIDS USING A BATH MAT IN THE UNIT, AS IT COULD CAUSE WATER STAINS OR BLISTERING TO THE FINISH SURFACE OF THE UNIT.**

CLARION BATHWARE PRODUCTS ARE CERTIFIED TO MEET NAHB STANDARDS, HUD/FHA, BOCA, HUD UM-73A, ANSI Z124.1 AND ANSI Z124.2. FOR DETAILS, REQUEST NAHB RESEARCH CENTER CONFIRMATION.



44 Amsler Avenue Shippenville, PA 16254

(814) 226-5374 (800) 576-9228

Customer Service: Ext. #818

Fax: (814) 226-0730

www.clarionbathware.com

Clarion

AcrylX™ with the
Strength of ArmorCore™
Lifetime Warranty



This warranty applies to all Clarion Bathware AcrylX™ with Armorcore™ base reinforcement produced after 1-23-2017.

Clarion Bathware warrants to the original purchaser and consumer that its products will be free from defects in material or workmanship when properly installed pursuant to Clarion Bathware installation instructions for the following warranty periods:

Lifetime Warranty

- (1) AcrylX™, Residential* Use
- (2) CenturyStone™, Residential* Use

Thirty (30) Year Warranty

- (1) AcrylX™, Commercial* Use
- (2) CenturyStone™, Commercial* Use

Upon inspection by an authorized representative, Clarion Bathware will repair or exchange at its sole discretion, any unit found to be defective in material or workmanship. The exchange of a unit will only be considered when Clarion Bathware has eliminated all options to restore the unit to acceptable factory condition. Exchange of a unit is limited to supplying replacement product of comparable size and style, and does not include any cost of removal or installation.

EXCEPTIONS

This warranty shall be voided if the unit is moved from its place of initial installation or is not installed in accordance with the instructions supplied by the manufacturer of the unit. Clarion Bathware will not be held responsible for any damages resulting from improper installation.

Further, this warranty does not apply if the unit has been subjected to accident, abuse, misuse, damage caused by flood, fire, or other force of nature.

Any unauthorized repair or modification to the product would render the warranty null and void.

This warranty does not apply to any equipment or accessories not installed by Clarion Bathware and Clarion Bathware will not be held liable for any results of such acts.

Clarion Bathware is not responsible for any consequential or incidental mishaps, inconvenience, time loss, incidental expense, materials or labor related to the installation of hardware or the actual tub.

The owner agrees by use of the unit that the obligations of Clarion Bathware shall not extend to contingent or indirect damage or injury to the structure of its contents, that the obligations of Clarion Bathware are limited to those set forth herein, and that no other obligations, expressed or implied, are assumed by Clarion Bathware.

The product is not recommended for outside storage.

To obtain warranty service, the Customer must give prompt notice to Clarion Bathware of any claim.

Clarion Bathware is a division of American Bath Group Inc.

*Residential Use is considered any unit Installed in a permanent residence dwelling of Individual ownership, such as but not limited to single family home, multi-family home, or condominium. Commercial Use is considered transient lodging, such as but not limited to healthcare facility, dormitory, hotel, or apartment complex.