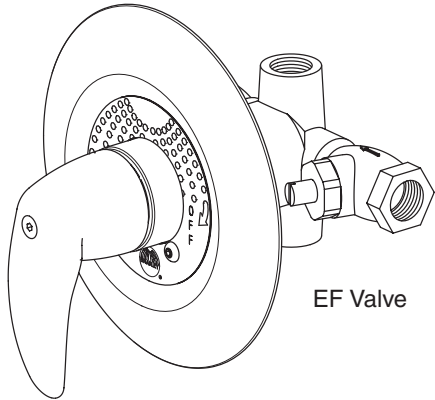
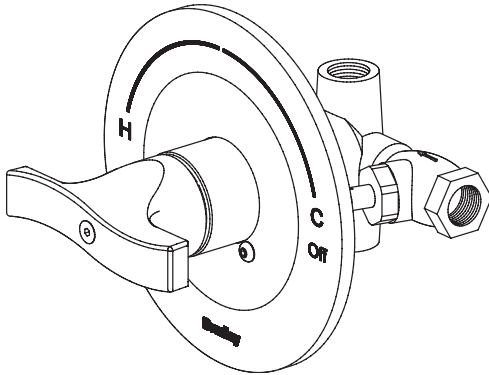


Installation

S59-1000 (EF Valve) S59-1001 (C5 Valve)



EF Valve



C5 Valve

Bradley Equa-Flo™ Pressure-Balancing Shower Valve

Table of Contents

Supplies Required	2
Installation Instructions	2
Adjusting the Equa-Flo™ Valve	3

ASSE 1016 & UPC Certified



For use with shower heads rated
at 5.7 L/min (1.5 gpm) or higher.

IMPORTANT!



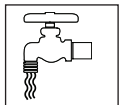
Read this entire installation manual to ensure proper installation. When finished with the installation, file this manual with the owner or maintenance department. Compliance and conformity to local codes and ordinances is the responsibility of the installer.



Hot limit stop is set in the maximum temperature position. Failure to adjust properly may result in serious scalding. This valve may not protect from scalding if there is a failure of other temperature-controlling devices elsewhere in the plumbing system. Excessive heat may cause damage to internal parts.



Separate parts from packaging and make sure all parts are accounted for before discarding packaging material. If any parts are missing, do not begin installation until you obtain the missing parts.



Make sure that all water supply lines have been flushed and then completely turned off before beginning installation. Debris in supply lines can cause valves to malfunction.



Product warranties may be found under "Products" on our web site at www.bradleycorp.com.

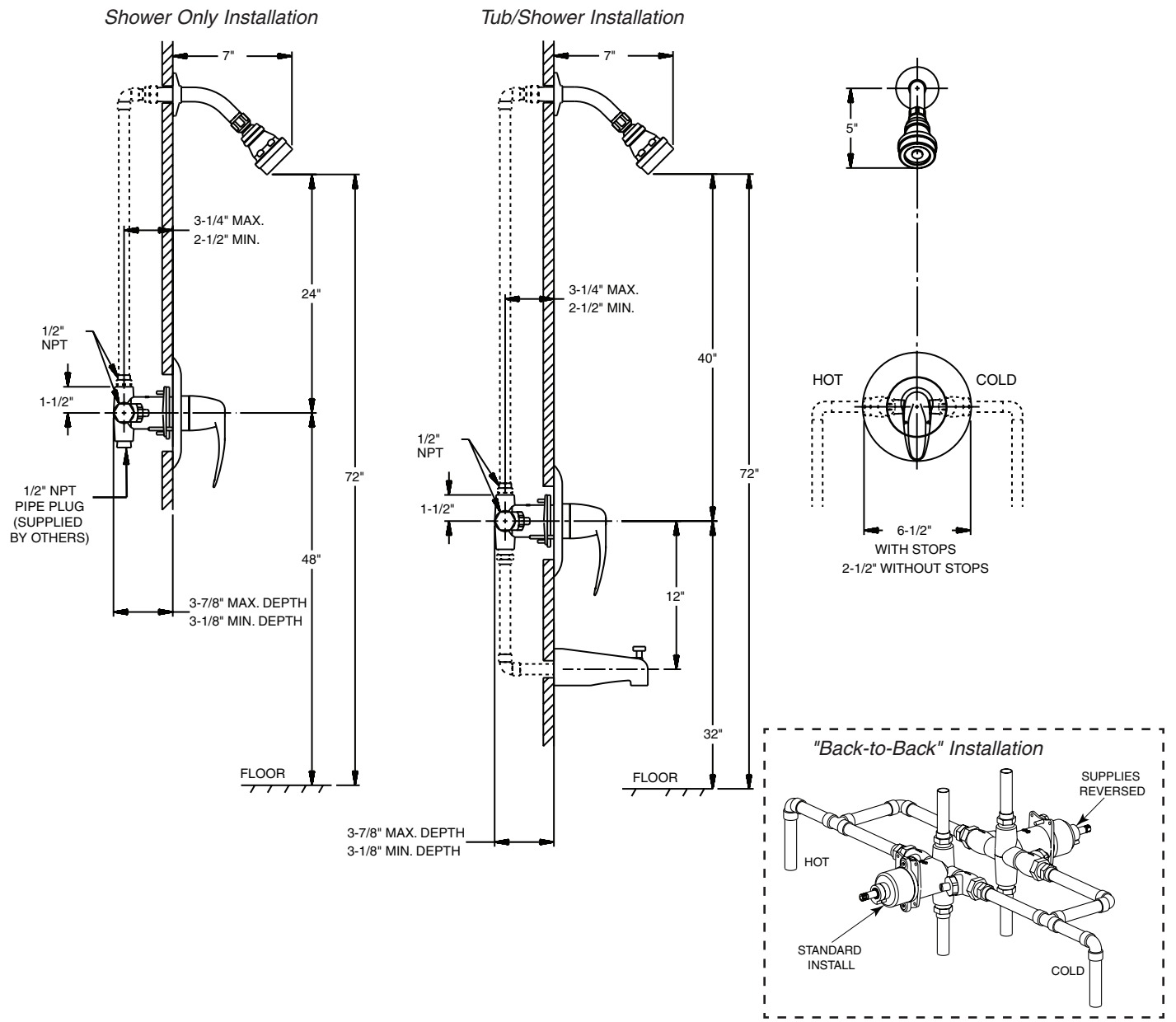


Supplies Required:

- Teflon Tape
- Allen key wrenches
- Screwdriver
- 1/2" NPT Brass pipe plug
- Adjustable wrench

1 Rough-in

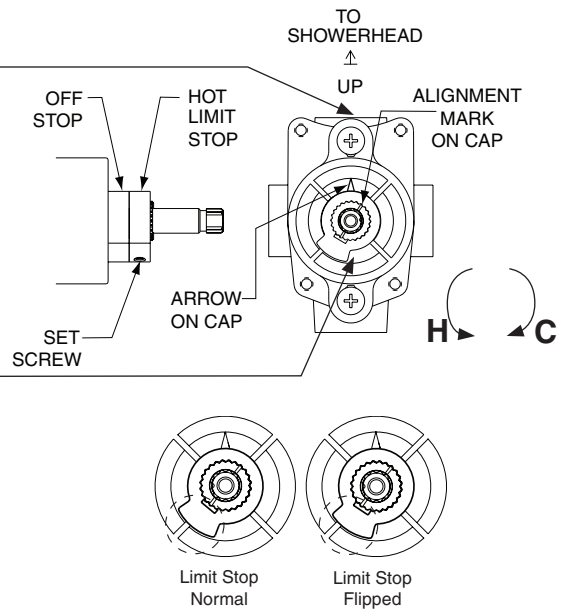
- Rough-in 1/2" NPT hot and cold water supply piping (supplied by installer) as shown below.
- For finished wall, make a 4-1/2" hole in the wall where the shower handle is desired.
- For unfinished wall, use the rough-in shield as a guide. Keep rough-in shield over valve when finishing wall. The face of the rough-in shield should fit flush with the finished wall. The rough-in shield can either be secured to the valve using the escutcheon screws or press-fit into place.



2 Connect Valve and Adjust Valve Temperature

A Position valve with port labeled "UP" towards showerhead. Connect valve to hot and cold supplies and showerhead or tub spout supplies (see rough-in diagram.)

B Turn on hot and cold supplies to pressurize valve and check for leaks. (Valve will not operate unless both hot and cold supplies are turned on.) Set limit stop by loosening set screw on limit stop and repositioning to the desired temperature (do not remove the inner off-stop!)



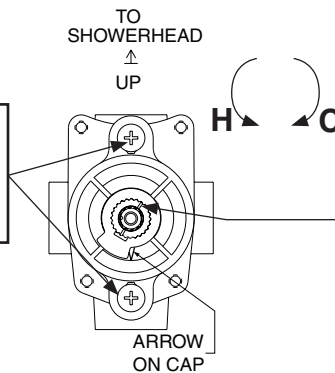
WARNING! The temperature limit stop has been factory preset for maximum temperature operation. Failure to adjust the limit stop to a safe shower temperature could result in the user being scalded.



You can fine-tune the hot limit stop position 1/2 spline by flipping it over.

FOR "BACK-TO-BACK" INSTALLATIONS

A Turn off water supplies and remove (2) hold-down screws from the "reversed" valve. Rotate cap and cartridge assembly 180° and re-install screws.



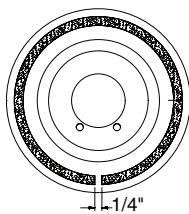
B Remove both limit stops and rotate 180°. Align with alignment mark as shown. Adjust hot limit stop the same as for standard installation.

3 Attach Escutcheon and Handle

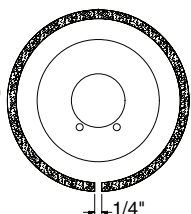


If the Rough-in Shield is used, remove the shield before installing the escutcheon and handle.

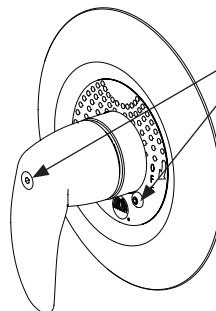
EF Valve Foam Rim Seal



C5 Valve Foam Rim Seal



A Place the escutcheon and handle on the wall over the valve and secure them with the screws provided.



(EF Valve Shown)



The included foam rim seal may be applied to the back of the escutcheon, with the seam at the bottom.